



US00D542934S

(12) **United States Design Patent**
Ohanesian

(10) **Patent No.:** **US D542,934 S**

(45) **Date of Patent:** **** May 15, 2007**

(54) **LOUVER END CAP**

(76) Inventor: **Viken Ohanesian**, 26331 Via Alano,
San Juan Capistrano, CA (US) 92675

(**) Term: **14 Years**

(21) Appl. No.: **29/238,534**

(22) Filed: **Sep. 16, 2005**

(51) **LOC (8) Cl.** **25-02**

(52) **U.S. Cl.** **D25/47**

(58) **Field of Classification Search** D25/47;
160/396, 401; 49/92.1

See application file for complete search history.

(56) **References Cited**

U.S. PATENT DOCUMENTS

D235,336 S	*	6/1975	Lee	D25/47
5,303,507 A	*	4/1994	Oille	49/74.1
D442,272 S		5/2001	Gabriele		
D498,000 S	*	11/2004	Griffiths	D25/47

* cited by examiner

Primary Examiner—Doris Clark

(74) *Attorney, Agent, or Firm*—Myers Dawes Andras & Sherman LLP; Vic Lin; Joseph Andras

(57) **CLAIM**

I claim the ornamental design for the louver end cap, as shown and described.

DESCRIPTION

FIG. 1 is a perspective view of a louver end cap assembled with a louver, which has been shown in broken lines for illustrative purposes only, and forms no part of the claimed design;

FIG. 2 is an exploded perspective view of a louver end cap assembled with a louver, which has been shown in broken lines for illustrative purposes only, and forms no part of the claimed design;

FIG. 3 is a front elevation view of the louver end cap;

FIG. 4 is a top plan view of the louver end cap;

FIG. 5 is a right side elevation view of the louver end cap;

FIG. 6 is a left side elevation view of the louver end cap;

FIG. 7 is a bottom plan view of the louver end cap; and,

FIG. 8 is a rear elevation view of the louver end cap.

1 Claim, 2 Drawing Sheets

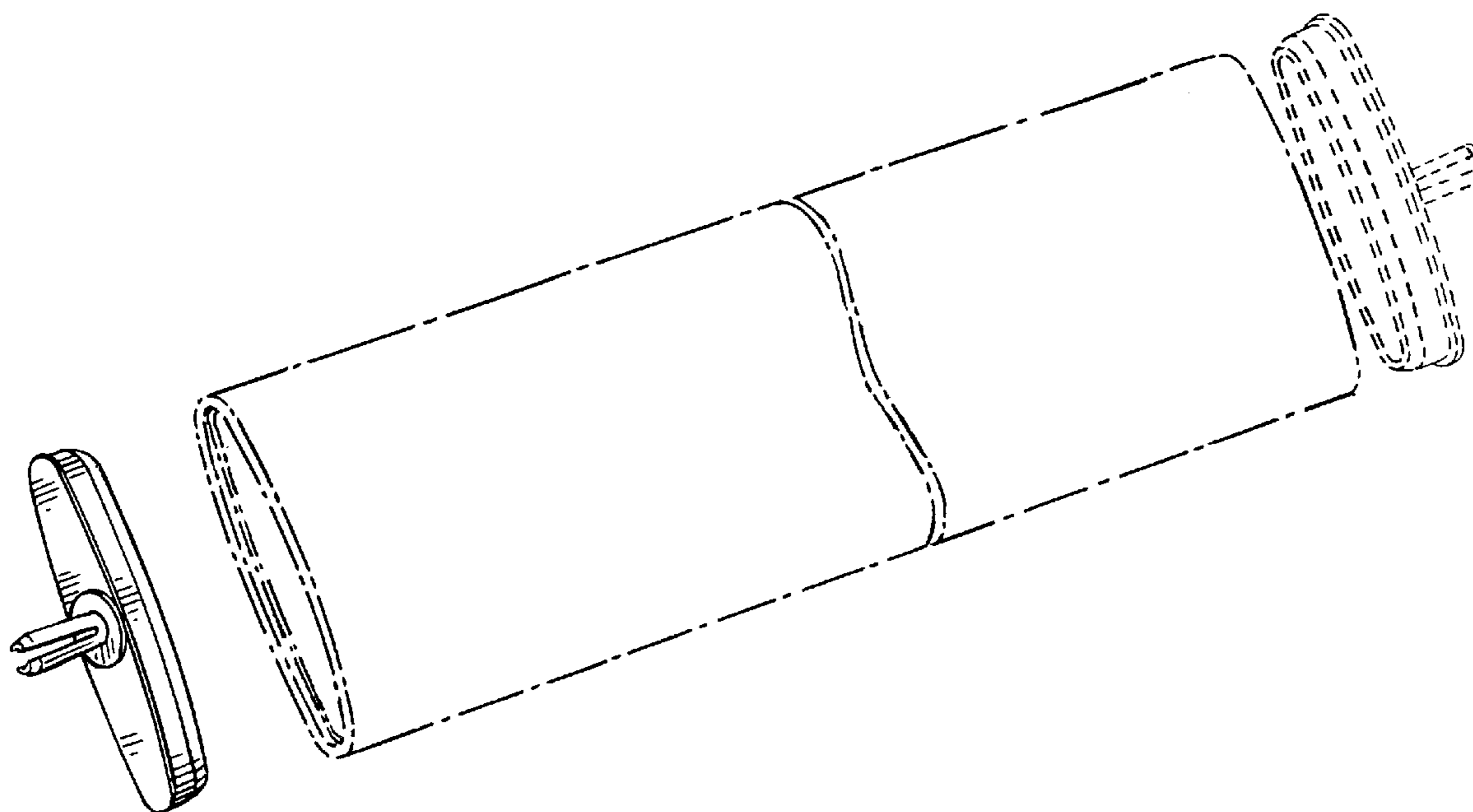


FIG. 1

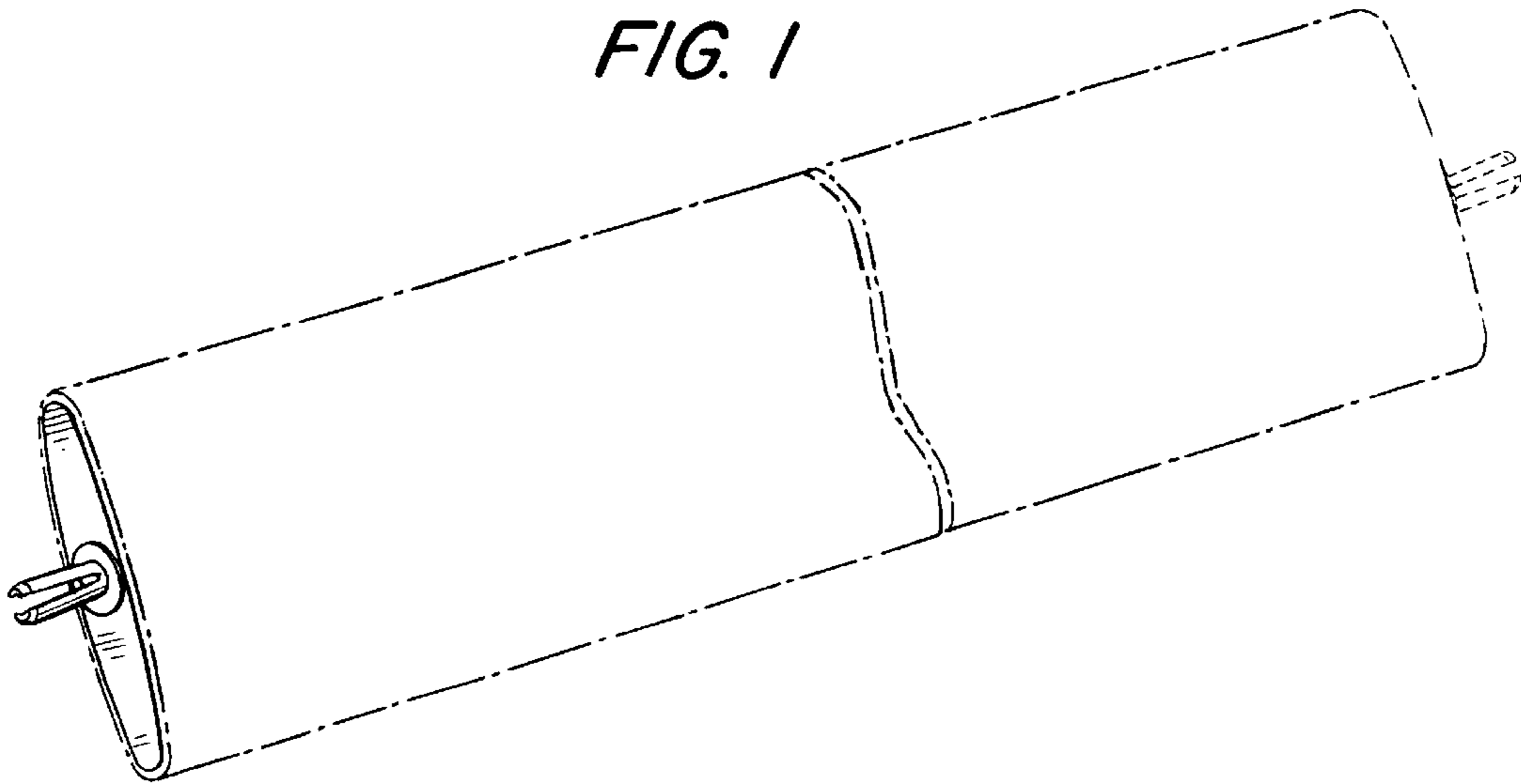


FIG. 2

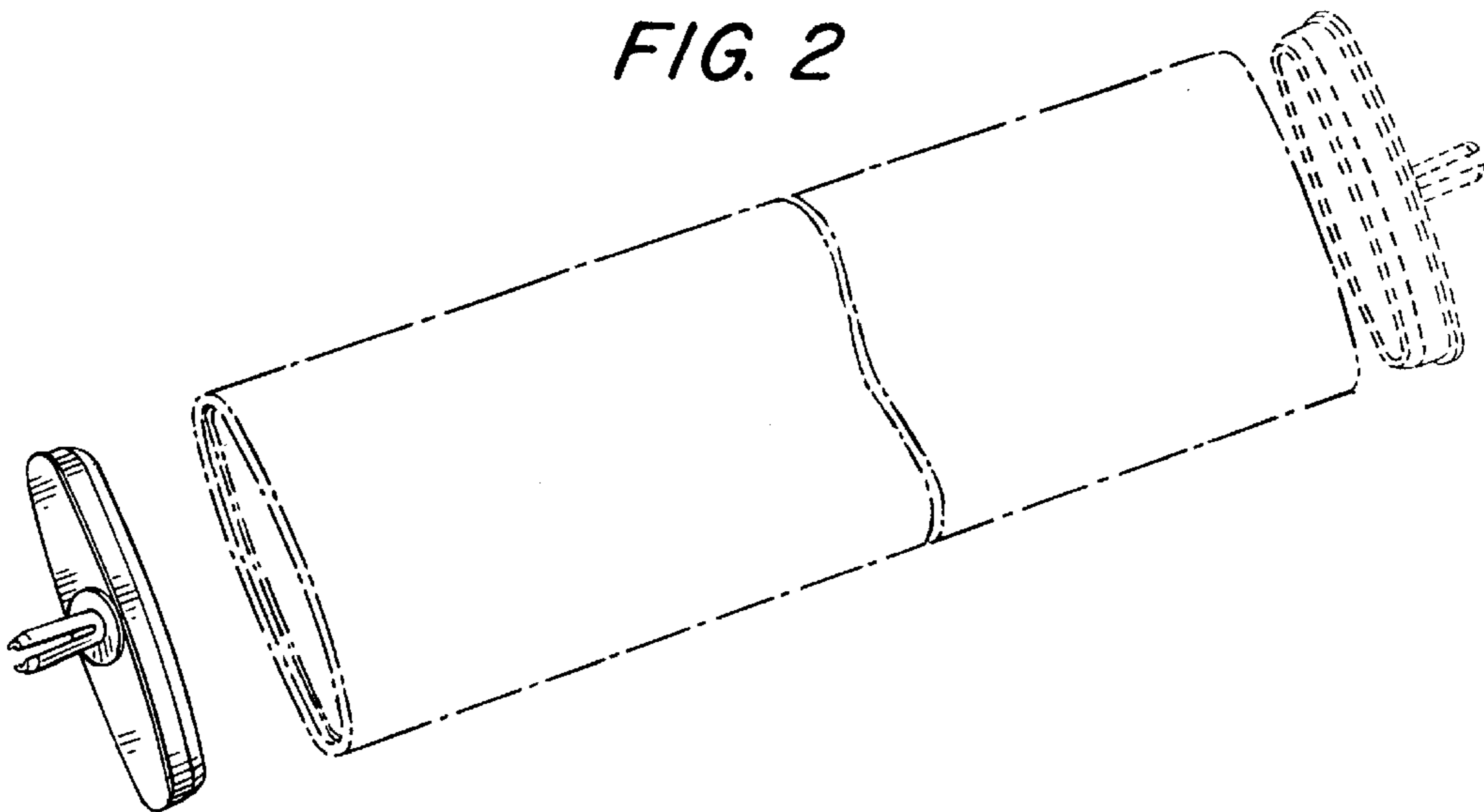


FIG. 3

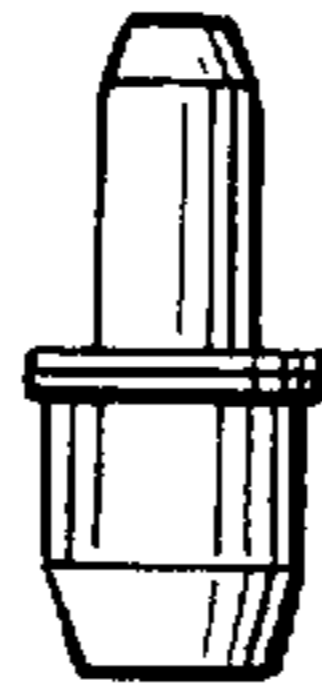


FIG. 5

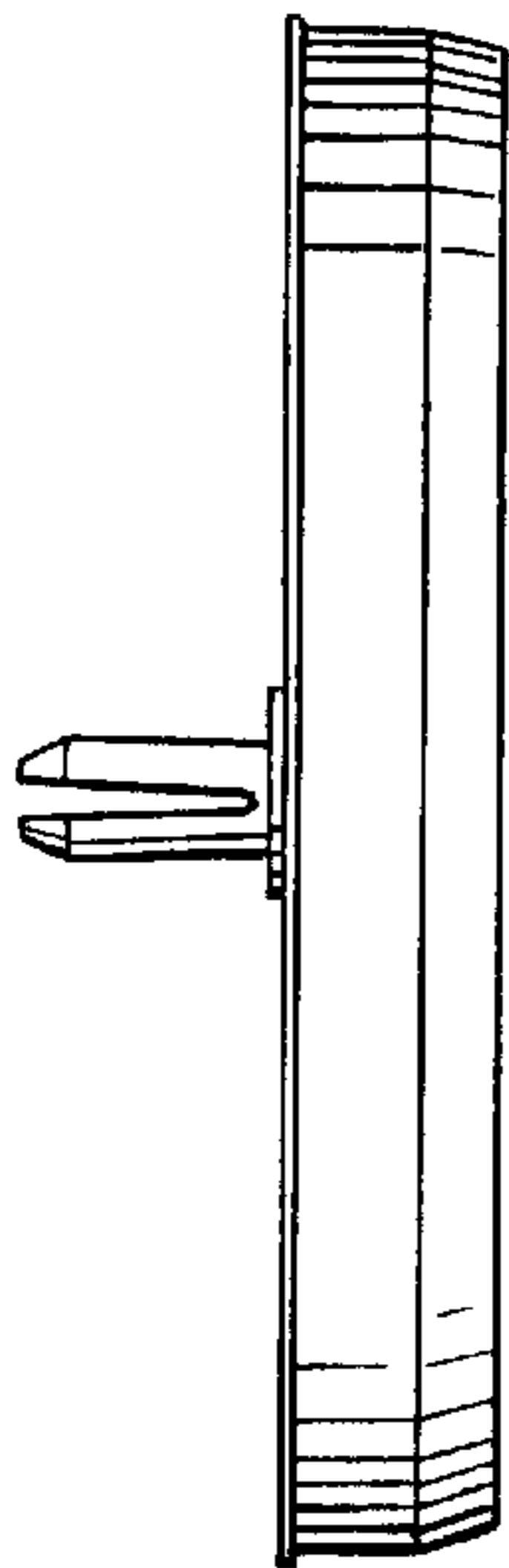


FIG. 4



FIG. 6

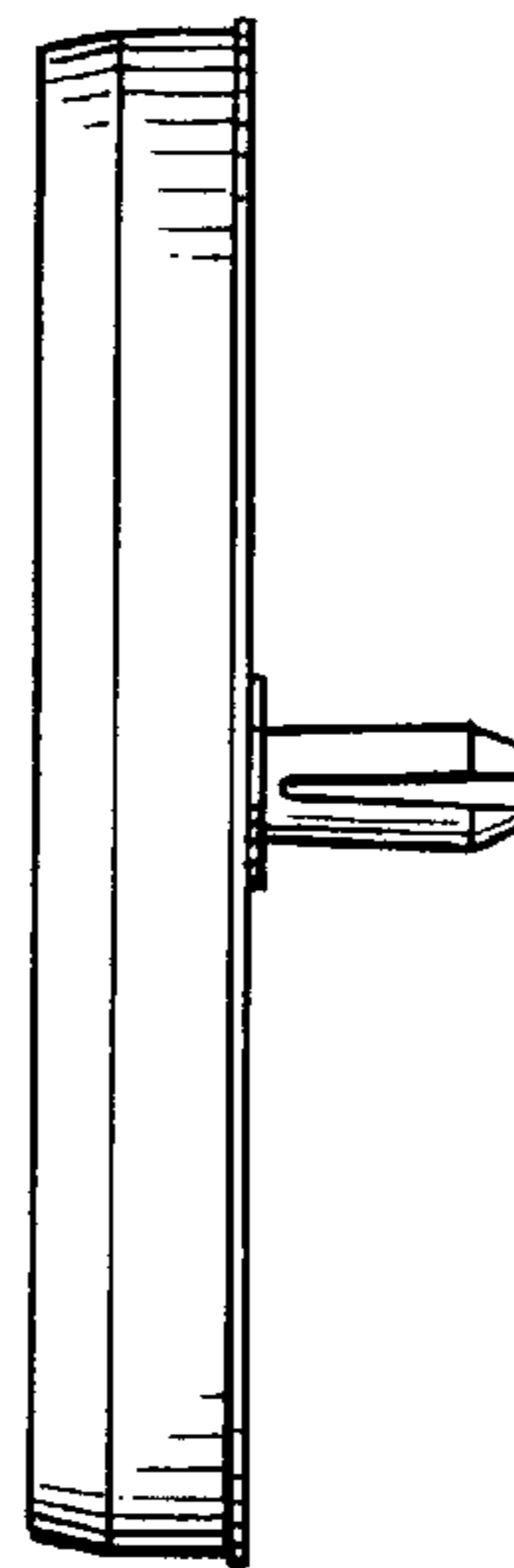


FIG. 7



FIG. 8

