

US00D542933S

(12) **United States Design Patent**
Menchini et al.

(10) **Patent No.:** **US D542,933 S**

(45) **Date of Patent:** **** May 15, 2007**

(54) **ELEVATOR SILL**

(75) Inventors: **Stefano Menchini**, Camorino (CH);
Guntram Begle, Kuessnacht am Rigi
(CH)

(73) Assignee: **Inventio AG**, Hergiswil (CH)

(**) Term: **14 Years**

(21) Appl. No.: **29/245,327**

(22) Filed: **Dec. 21, 2005**

(30) **Foreign Application Priority Data**

Jun. 21, 2005 (CH) 132018

(51) **LOC (8) Cl.** **25-02**

(52) **U.S. Cl.** **D25/37**

(58) **Field of Classification Search** D25/122,
D25/124, 47, 37; 52/30, 211, 745.16; 49/120,
49/366, 370, 475.1; 187/336, 900

See application file for complete search history.

(56) **References Cited**

U.S. PATENT DOCUMENTS

D223,340 S * 4/1972 Brounn D25/37

D326,915 S * 6/1992 Dallaire et al. D25/124
5,794,746 A * 8/1998 Ketonen et al. 187/333
D470,950 S * 2/2003 Roberts et al. D25/124
6,938,380 B2 * 9/2005 Friedman et al. 52/30

* cited by examiner

Primary Examiner—Doris Clark

(74) *Attorney, Agent, or Firm*—Klaus P. Stoffel; Wolff &
Samson PC

(57) **CLAIM**

The ornamental design for an elevator sill, as shown and
described.

DESCRIPTION

FIG. 1 is a perspective view of the elevator sill of the present
invention;

FIG. 2 is an enlarged front view thereof;

FIG. 3 is an enlarged rear view thereof;

FIG. 4 is a right side view thereof;

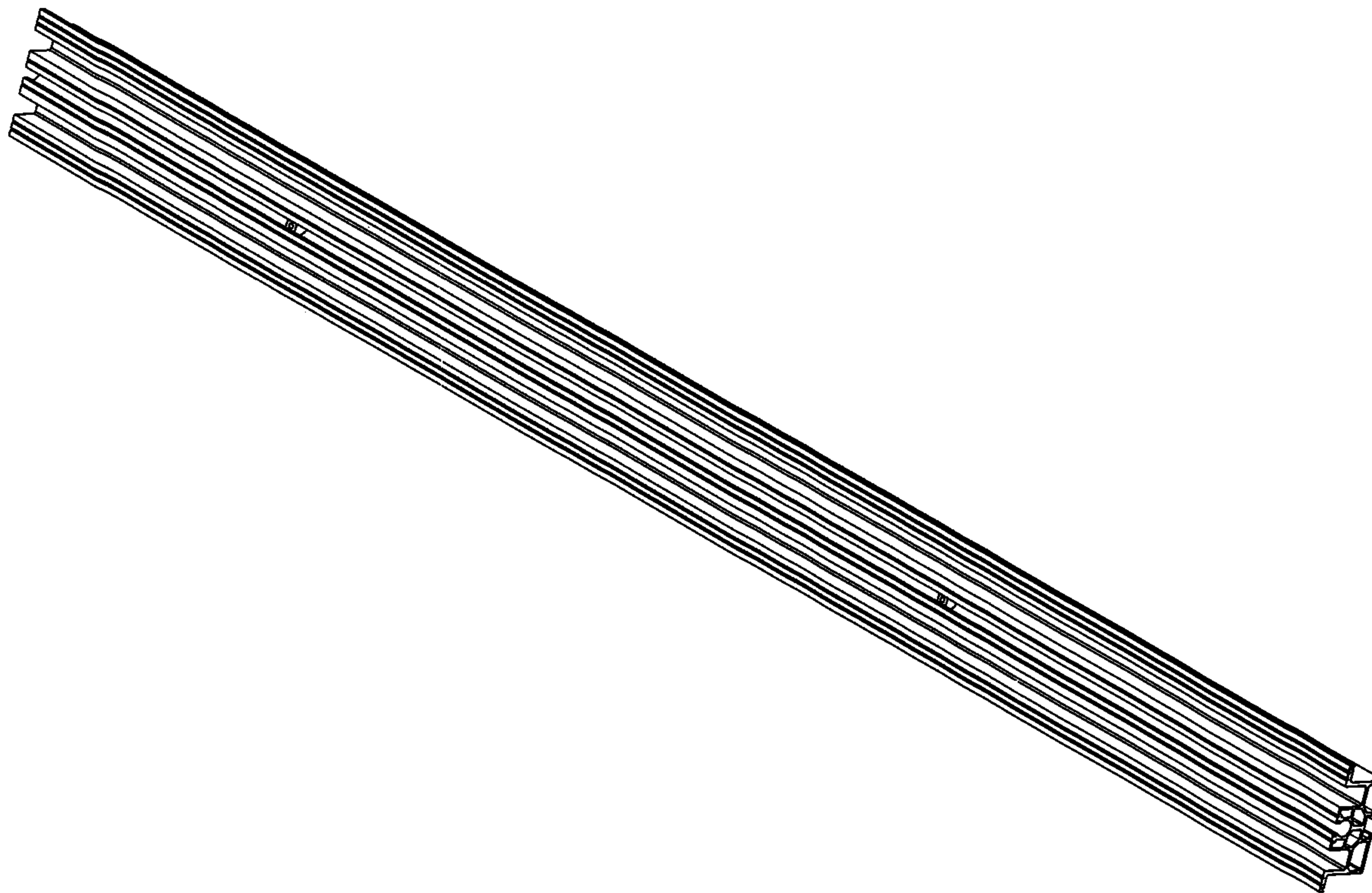
FIG. 5 is a left side view thereof;

FIG. 6 is a bottom view thereof; and,

FIG. 7 is a top view thereof.

The elevator sill has been broken in the center for ease of
illustration.

1 Claim, 4 Drawing Sheets



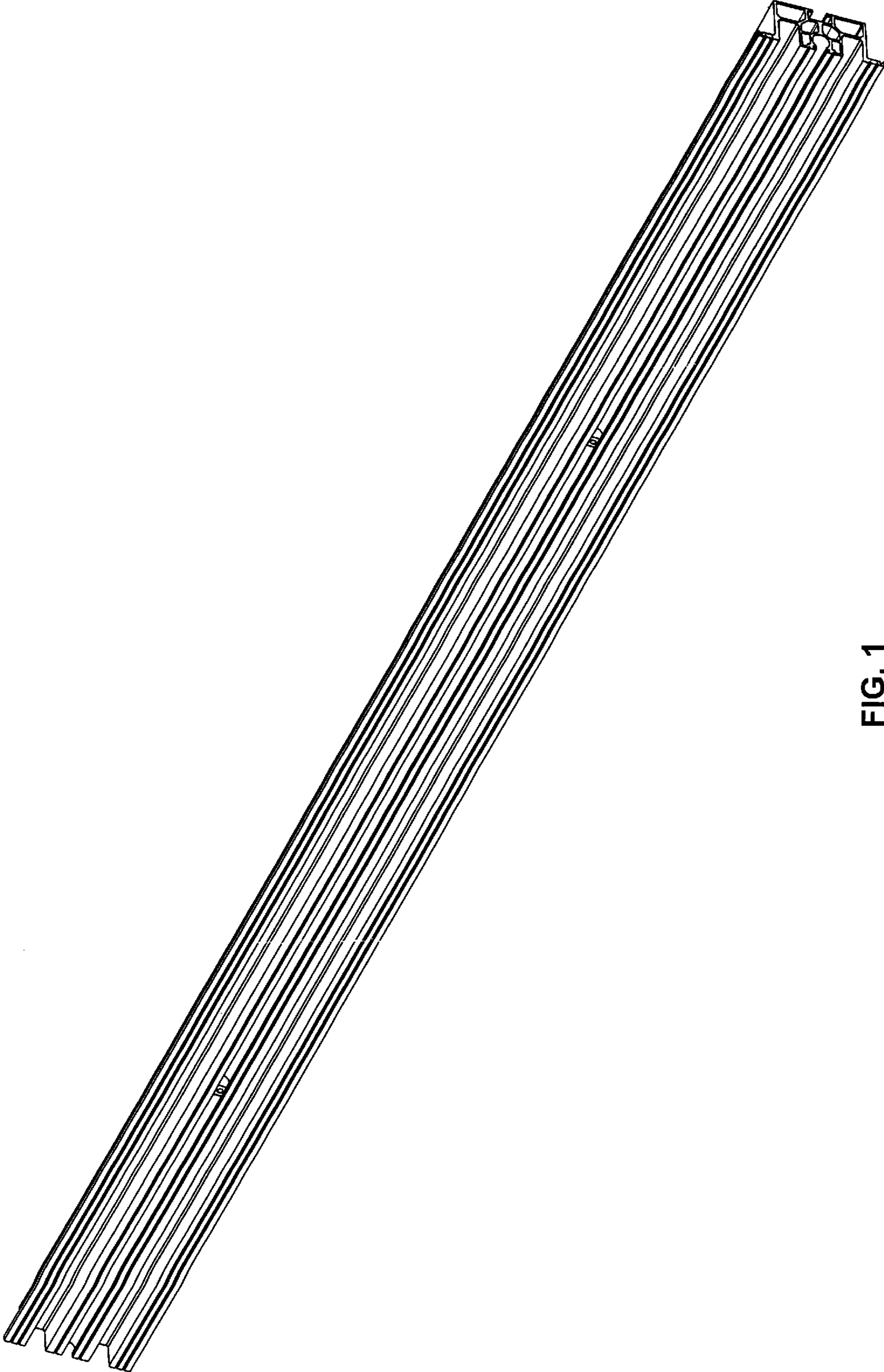


FIG. 1

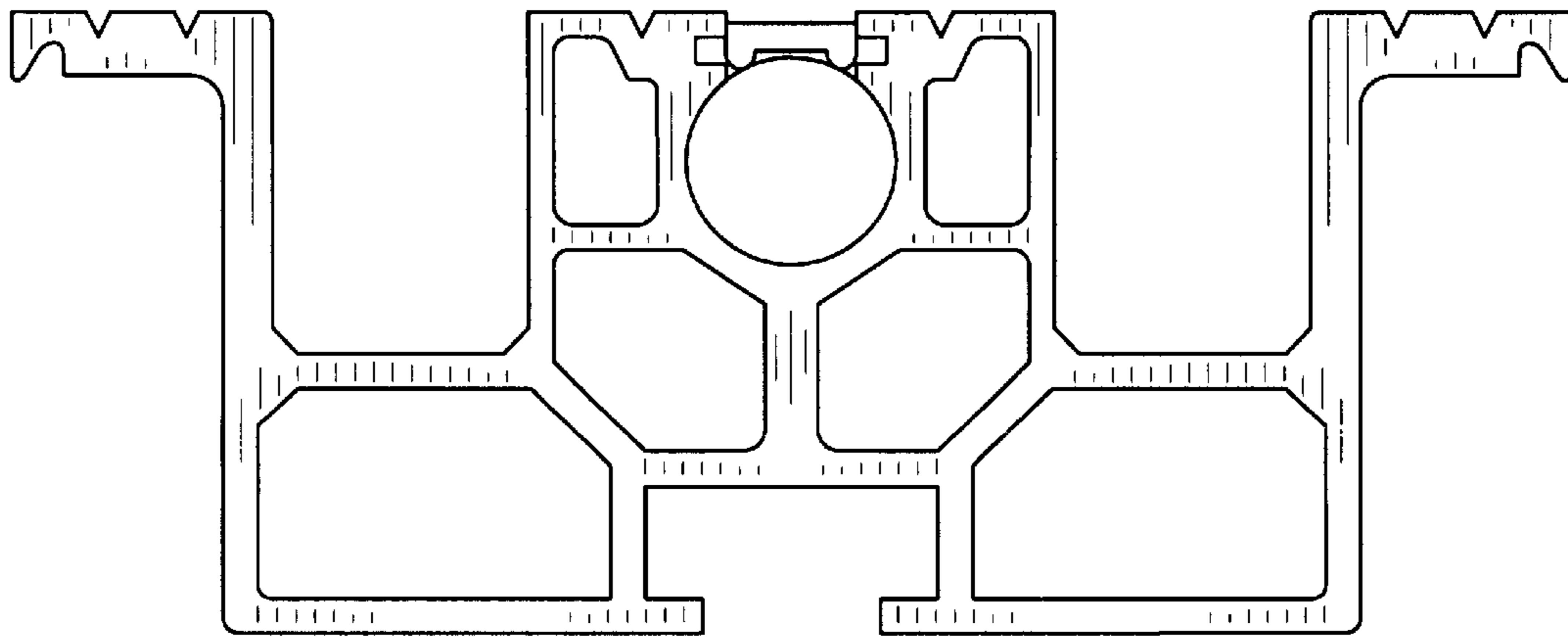


FIG. 2

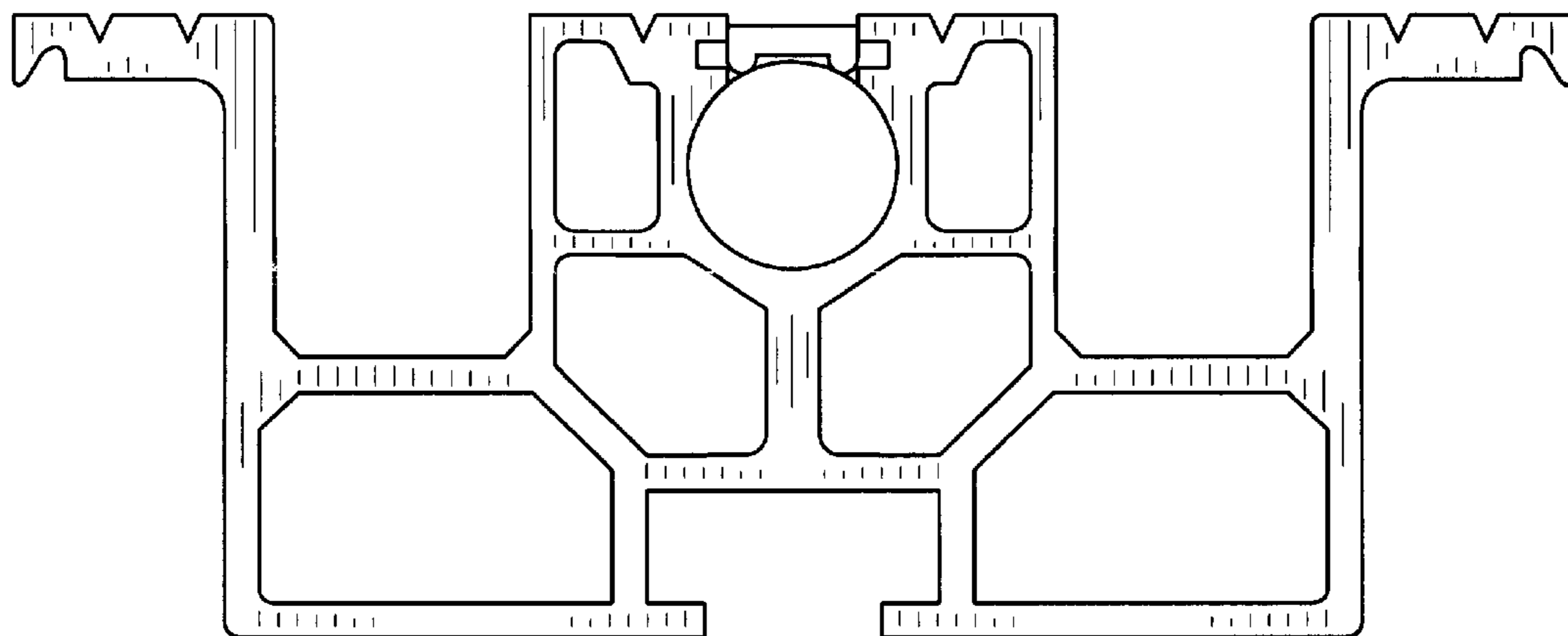


FIG. 3

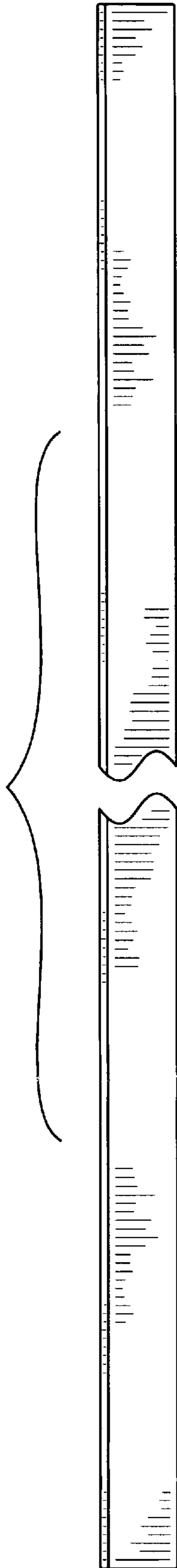


FIG. 4

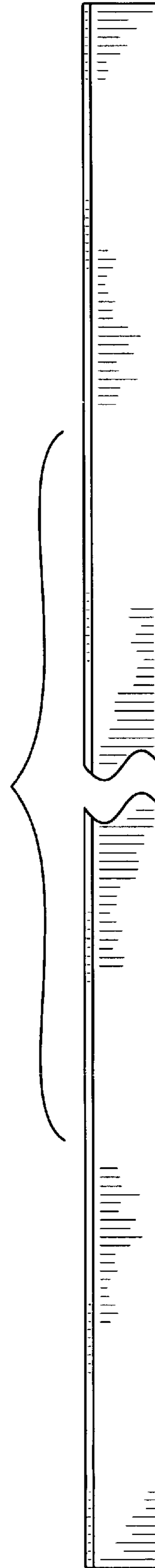


FIG. 5

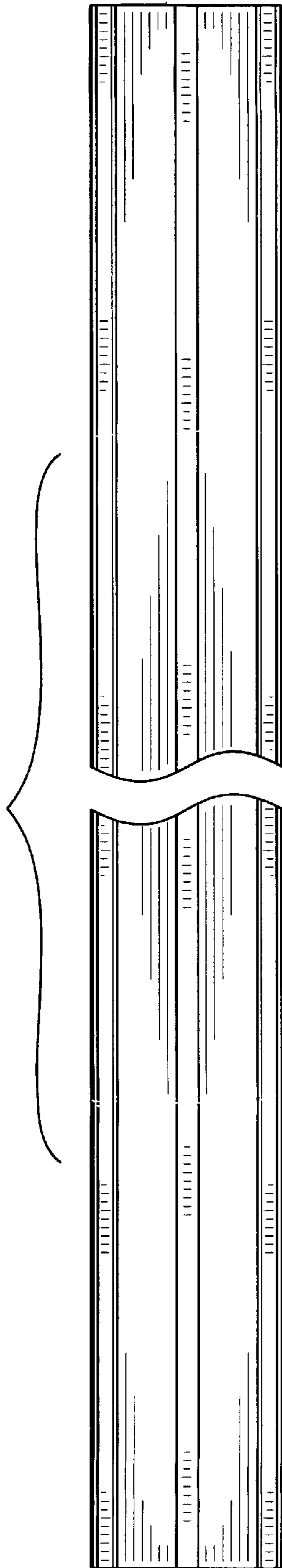


FIG. 6

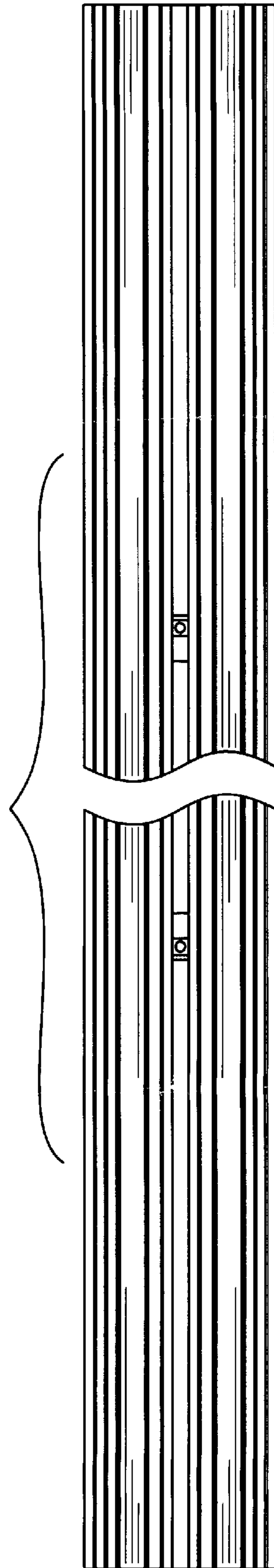


FIG. 7