



US00D542929S

(12) **United States Design Patent**  
**Shin**

(10) **Patent No.:** **US D542,929 S**

(45) **Date of Patent:** **\*\* May 15, 2007**

(54) **TOOTHBRUSH STERILIZER**

(75) Inventor: **Choong-Sik Shin**, Seoul (KR)

(73) Assignee: **Esencia Co., Ltd.**, Seoul (KR)

(\*\*) Term: **14 Years**

(21) Appl. No.: **29/267,908**

(22) Filed: **Oct. 25, 2006**

(51) **LOC (8) Cl.** ..... **24-02**

(52) **U.S. Cl.** ..... **D24/217**

(58) **Field of Classification Search** ..... D24/156,  
D24/216-232; D4/101; D6/528, 534; 132/308,  
132/310-311; 206/368-369, 379, 209.1;  
211/69-70; 422/297, 300, 26; 433/77; 601/141;  
250/455.11

See application file for complete search history.

(56) **References Cited**

**U.S. PATENT DOCUMENTS**

4,950,902	A	*	8/1990	Ritter	.....	250/455.11
4,973,847	A	*	11/1990	Lackey et al.	.....	250/455.11
4,997,629	A	*	3/1991	Marchand et al.	.....	422/300
D319,363	S	*	8/1991	Uemura et al.	.....	D6/534

D502,546	S	*	3/2005	Shin	.....	D24/217
2004/0025899	A1	*	2/2004	Pinsky	.....	132/310
2004/0126274	A1	*	7/2004	Song et al.	.....	422/26
2006/0029518	A1	*	2/2006	Yu	.....	422/62

\* cited by examiner

*Primary Examiner*—Robert A. Delehanty

*Assistant Examiner*—Mark Cavanna

(74) *Attorney, Agent, or Firm*—Rabin & Berdo, PC

(57) **CLAIM**

The ornamental design for a toothbrush sterilizer, as shown and described.

**DESCRIPTION**

FIG. 1 is a perspective view of a toothbrush sterilizer showing my new design;  
 FIG. 2 is a front plan view thereof;  
 FIG. 3 is a rear plan view thereof;  
 FIG. 4 is a left side plan view thereof;  
 FIG. 5 is a right side plan view thereof;  
 FIG. 6 is a top plan view thereof;  
 FIG. 7 is a bottom plan view thereof; and,  
 FIG. 8 is a reference drawing showing the open condition of the lid thereof.

**1 Claim, 7 Drawing Sheets**

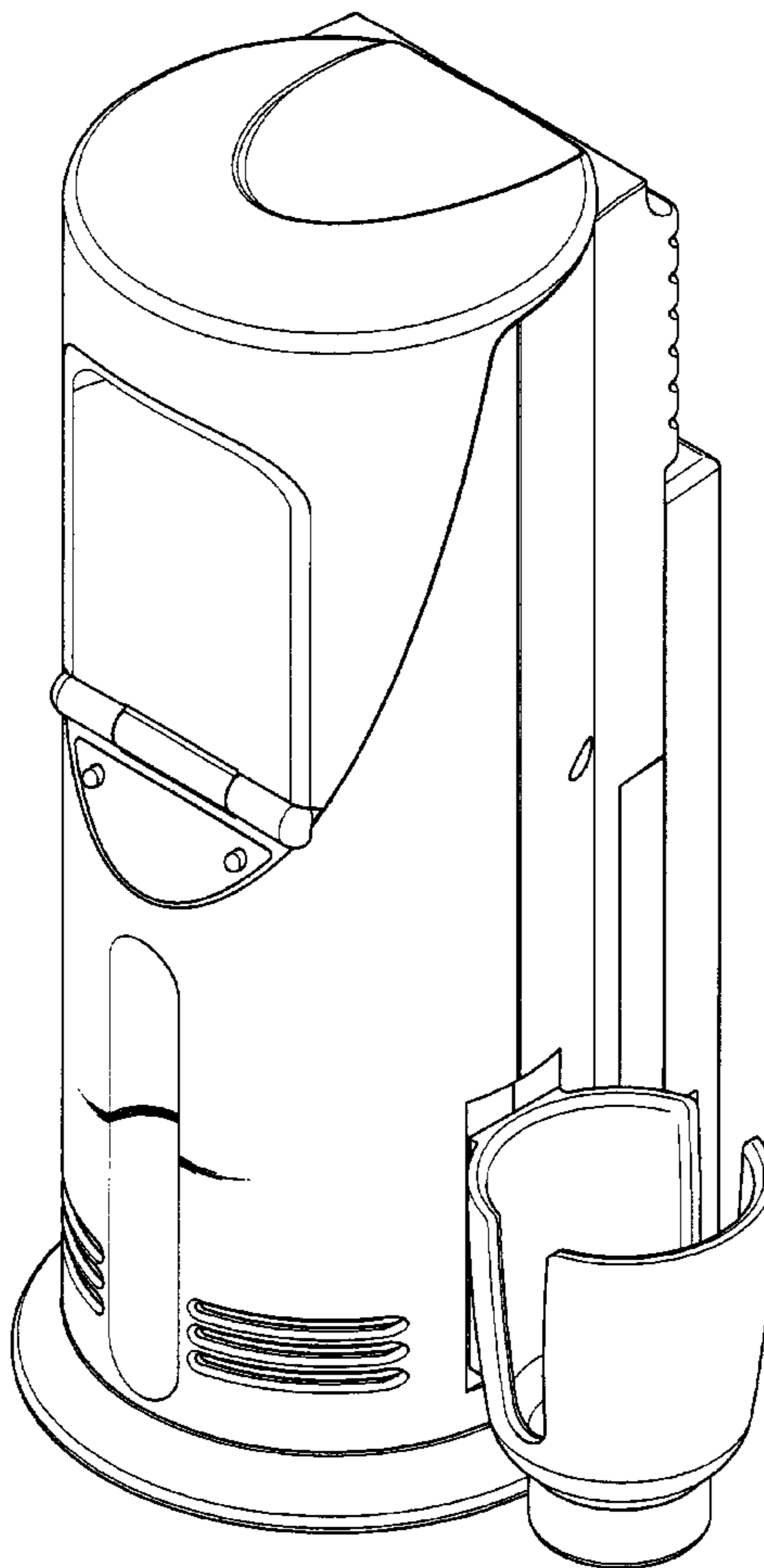


FIG. 1

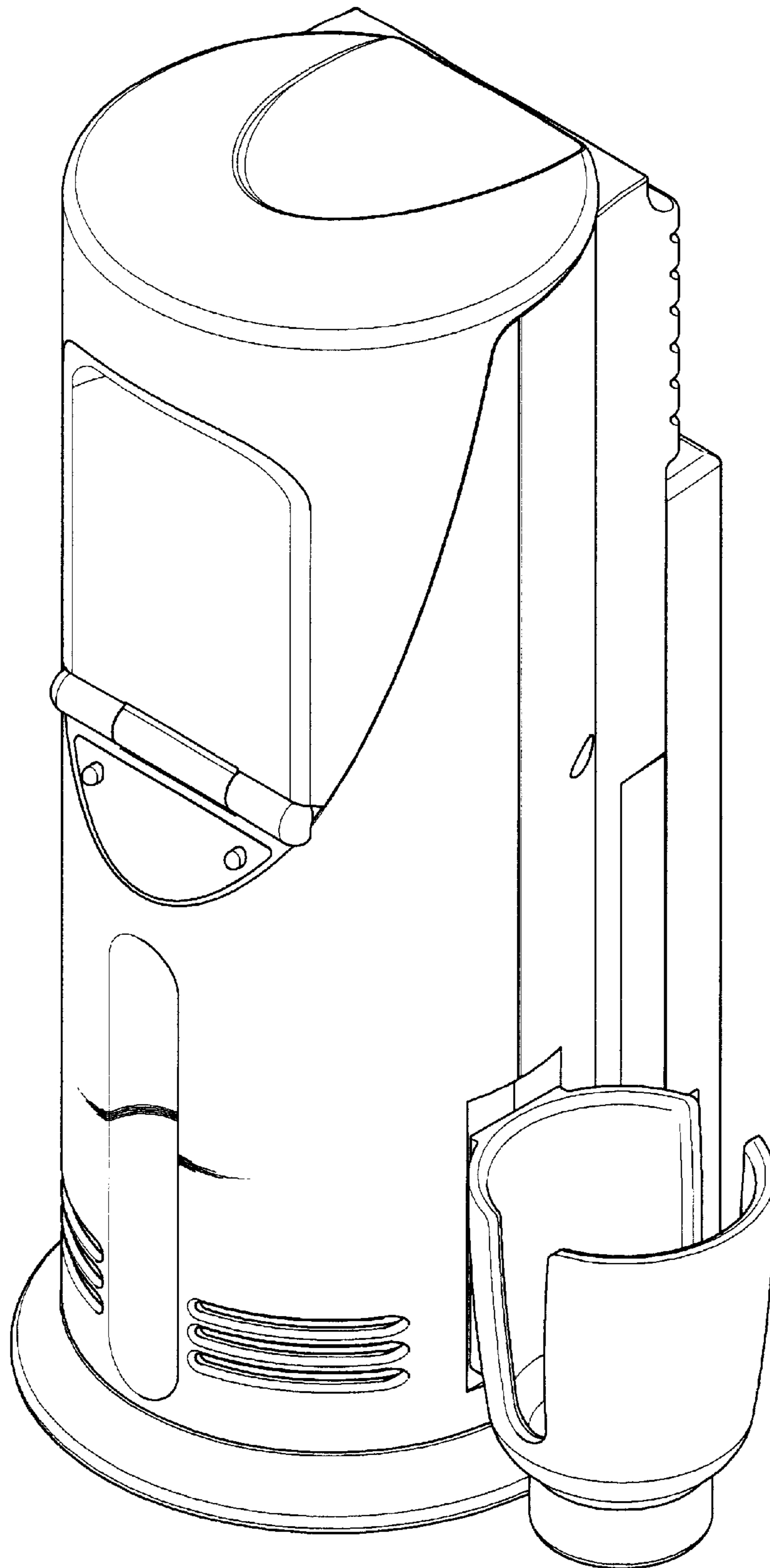


FIG. 2

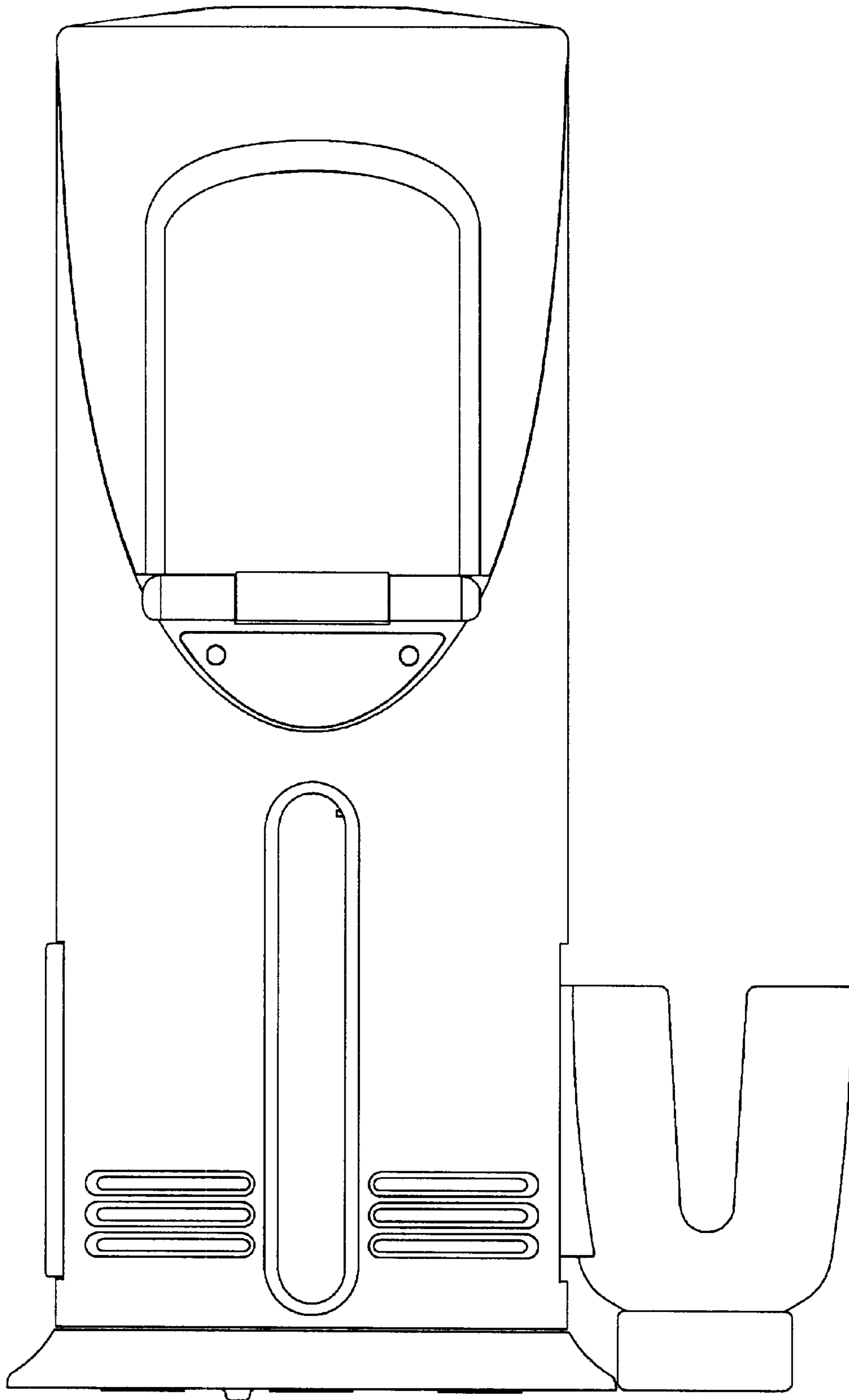


FIG. 3

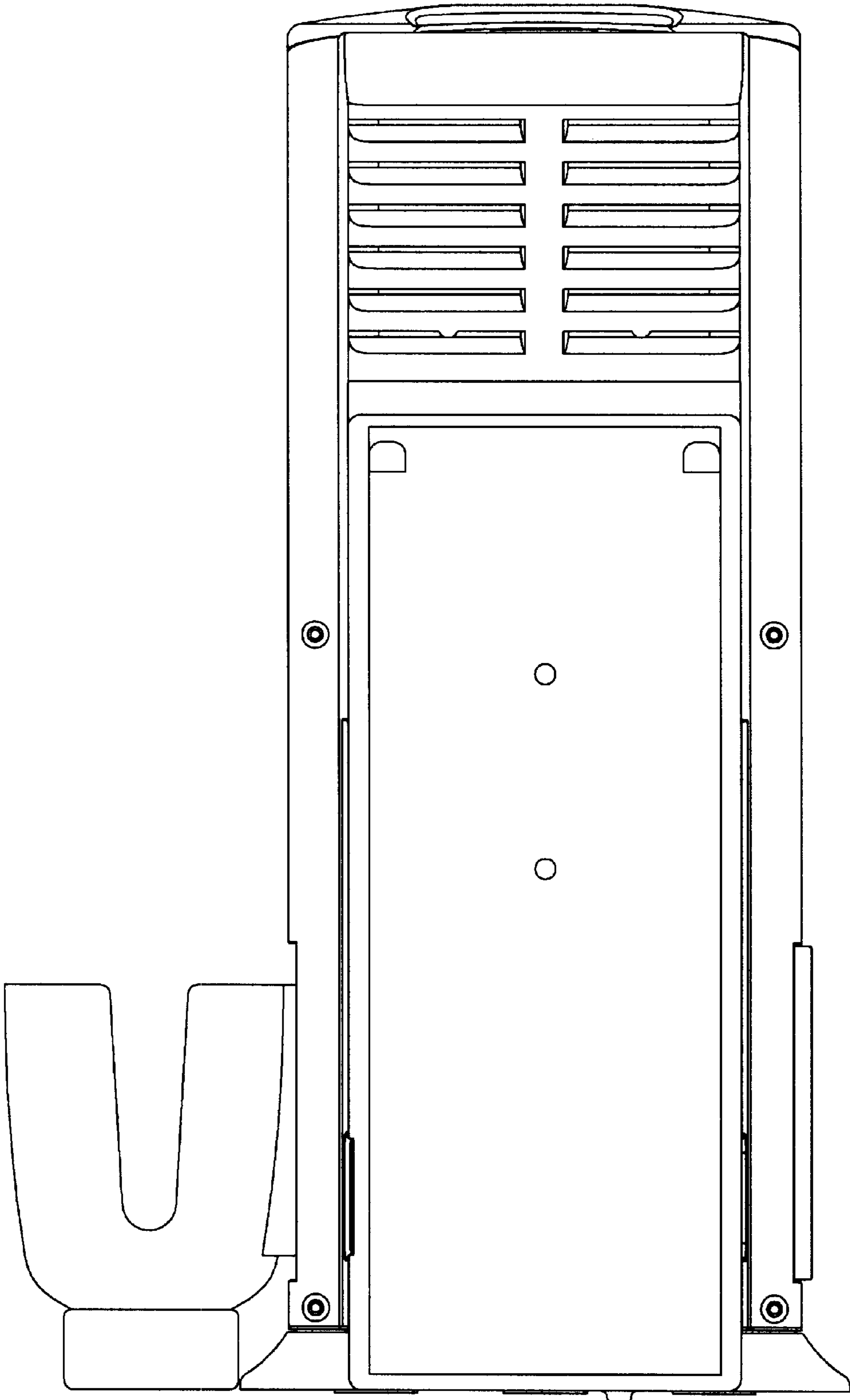


FIG. 4

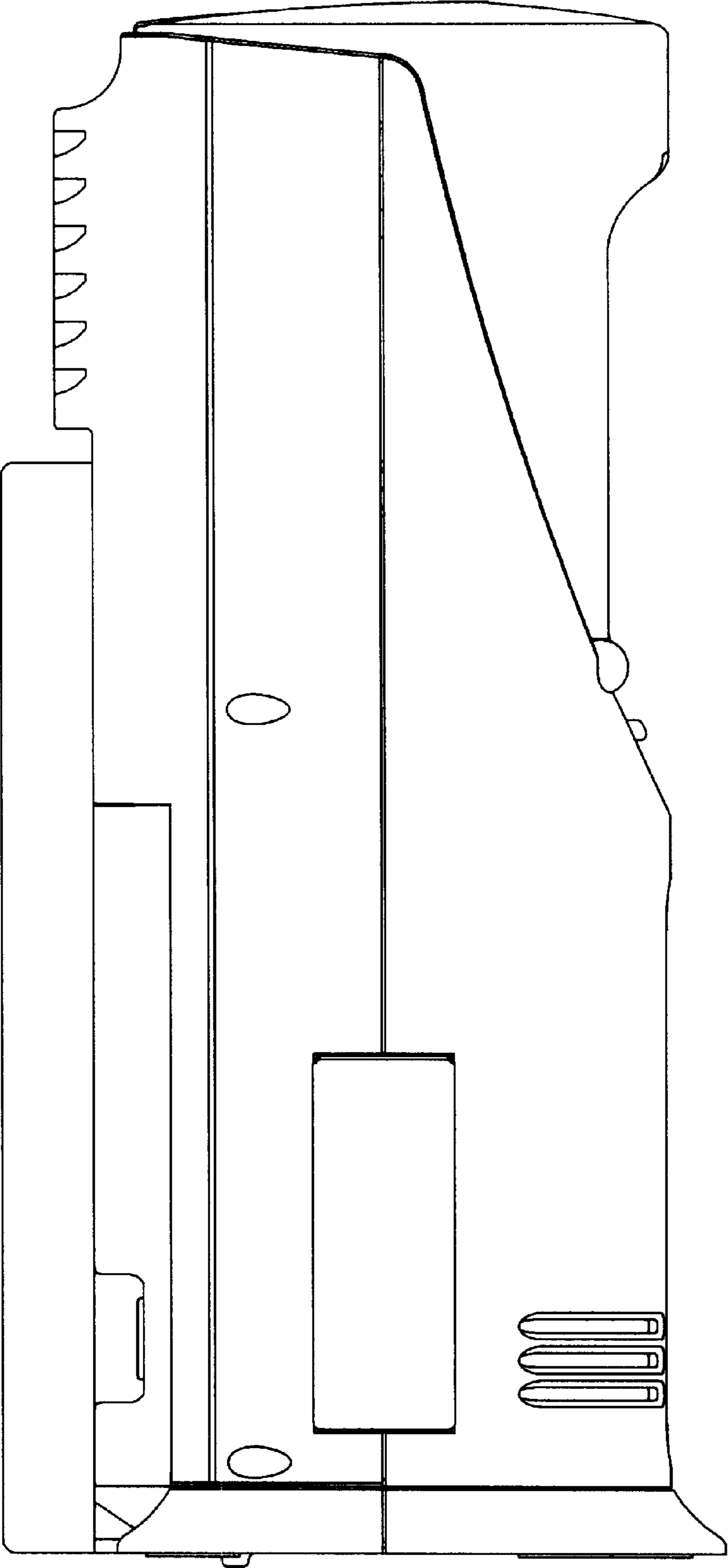


FIG. 5

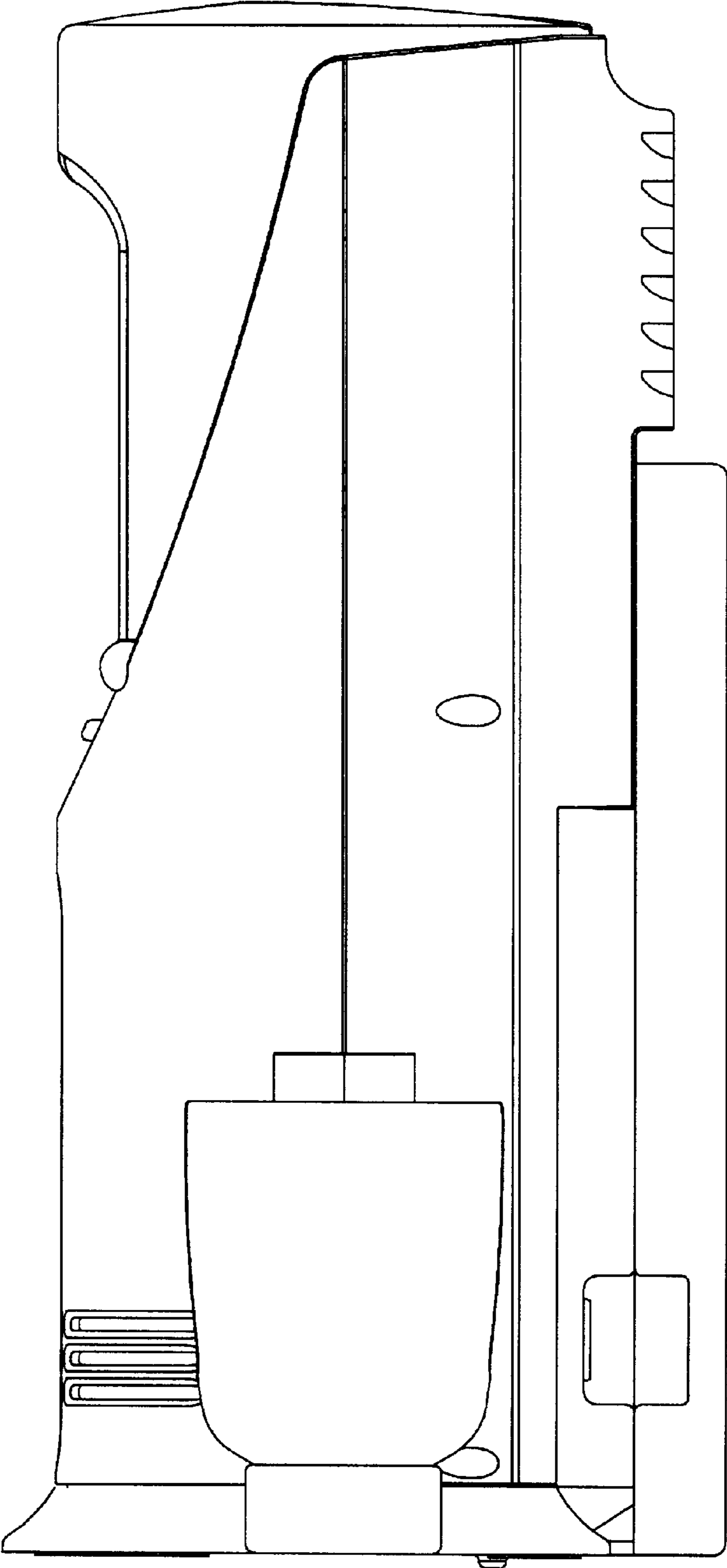


FIG. 6

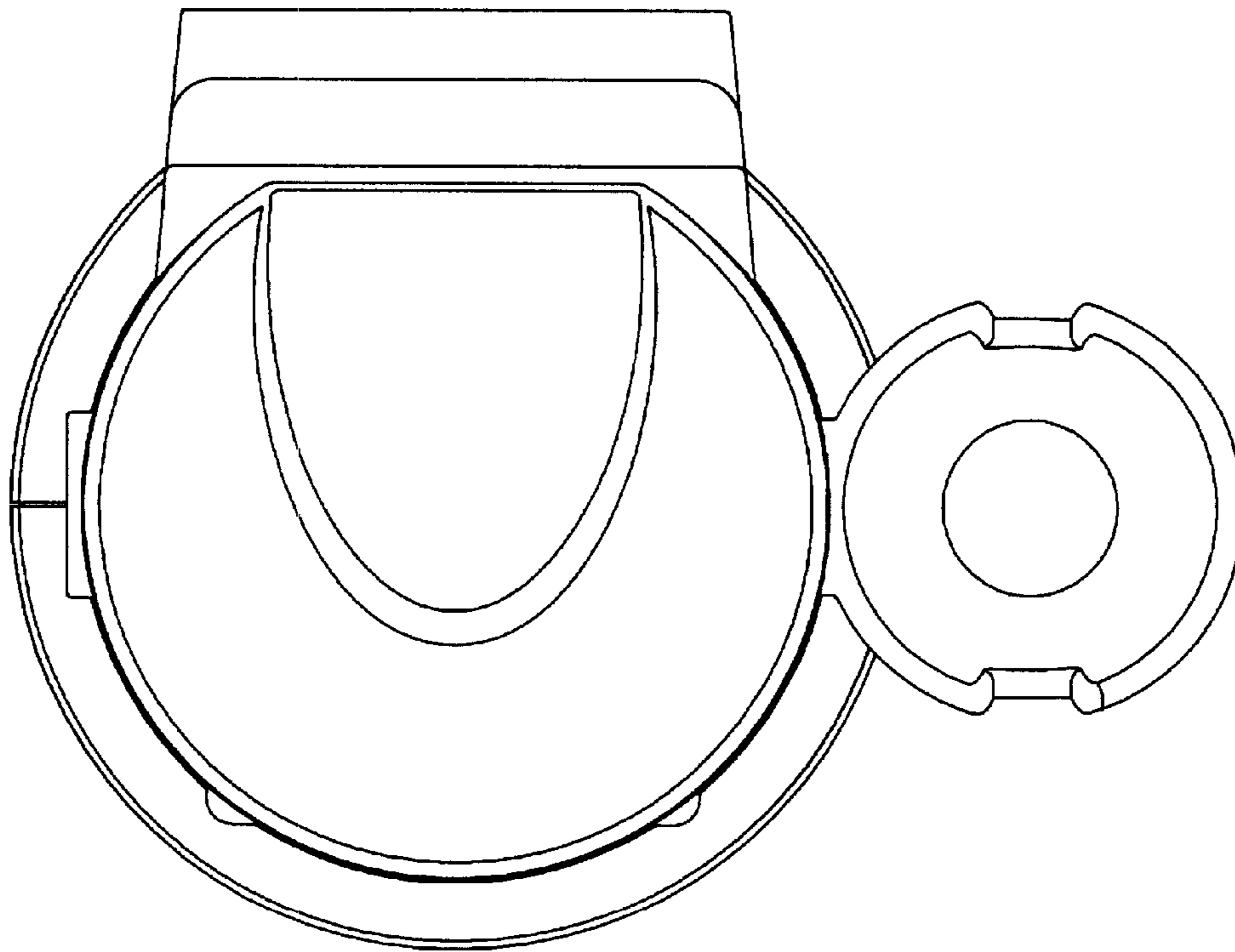


FIG. 7

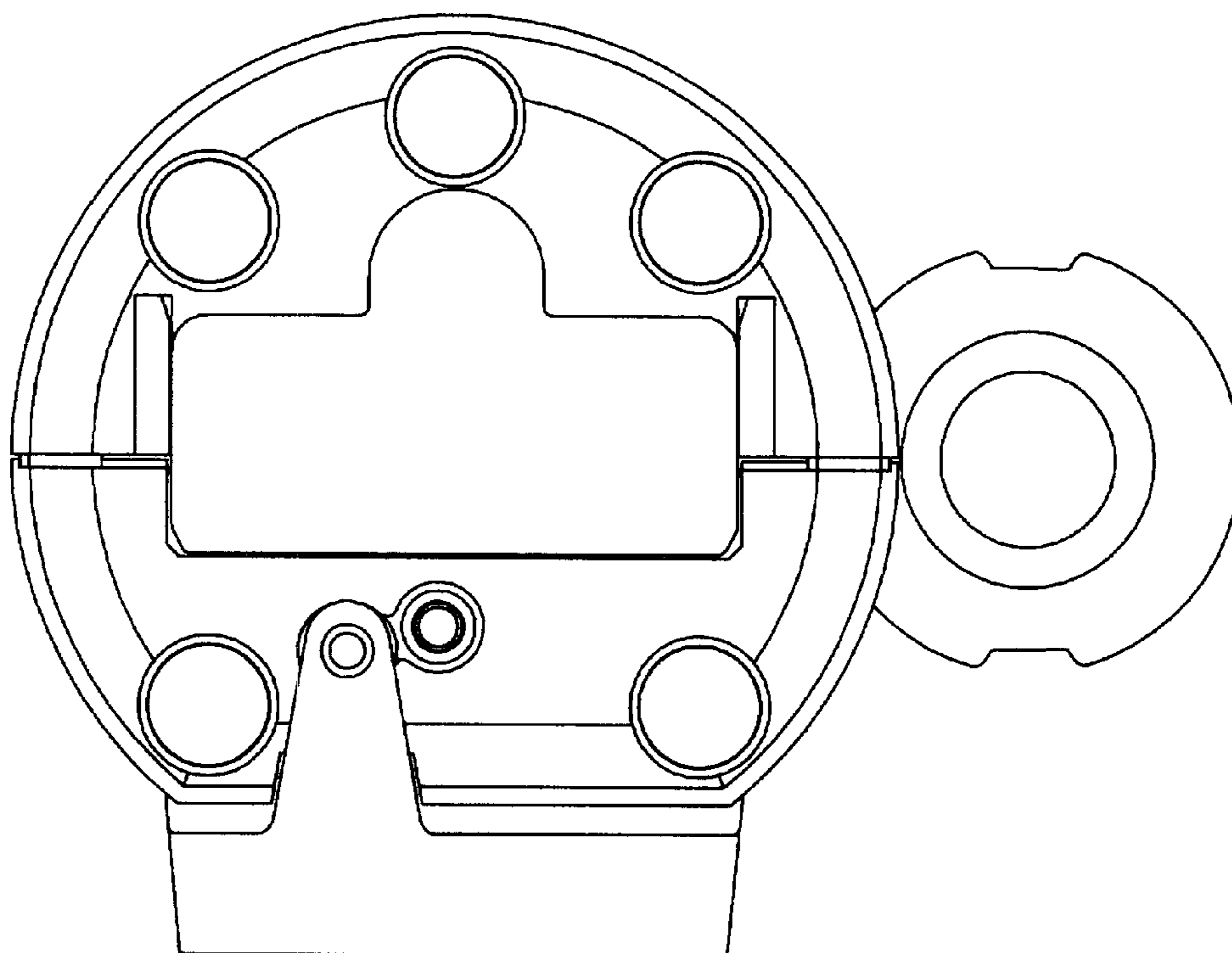


FIG. 8

