



US00D542926S

(12) **United States Design Patent**  
**Louis**

(10) **Patent No.:** **US D542,926 S**  
(45) **Date of Patent:** **\*\* May 15, 2007**

(54) **MESSAGE TOOL**

(75) Inventor: **John G. Louis**, Northfield, IL (US)

(73) Assignee: **Acuforce, Inc.**, Northfield, IL (US)

(\*\*) Term: **14 Years**

(21) Appl. No.: **29/232,688**

(22) Filed: **Jun. 22, 2005**

(51) **LOC (8) Cl.** ..... **28-03**

(52) **U.S. Cl.** ..... **D24/214**

(58) **Field of Classification Search** ..... D24/200,  
D24/214; 601/134-138

See application file for complete search history.

(56) **References Cited**

**U.S. PATENT DOCUMENTS**

4,483,328	A	11/1984	Wolocko	
5,382,222	A	1/1995	Yih-Jong	
D373,197	S	8/1996	Schepper	
D374,484	S	10/1996	Haynes	
D375,166	S	10/1996	Goulding-Thompson et al.	
5,624,385	A	4/1997	Hwang	
D382,971	S *	8/1997	Haldi	D24/211
6,010,469	A	1/2000	McAtee	
D422,086	S *	3/2000	Chen	D24/211
6,241,694	B1	6/2001	Goulding-Thompson et al.	
6,267,738	B1	7/2001	Louis	
D456,909	S	5/2002	Szabo	
7,014,619	B2 *	3/2006	Scheib	601/134
D518,576	S *	4/2006	Sevier et al.	D24/214
2004/0230147	A1	11/2004	Fretterd	
2004/0249324	A1	12/2004	Louis	

**OTHER PUBLICATIONS**

Internet web page of the Pressure Positive Co. at “www.pressurepositive.com/prod\_message/”, Jun. 2005.

Internet web page of The Massage Warehouse at “www.massagewarehouse.com/Manual+Tools/id=293/category.jhtml” Jun. 2005.

Accu-Flex Reflexology and Body Massage Tool (Item #5560017907) entered on Feb. 21, 2005, and indicating a sale on Feb. 22, 2005, on the Internet at the “www.ebay.com” web site.

\* cited by examiner

*Primary Examiner*—Ian Simmons

*Assistant Examiner*—Melanie Levy

(74) *Attorney, Agent, or Firm*—John C. Shepard

(57) **CLAIM**

I claim the ornamental design for a massage tool, substantially as shown and described.

**DESCRIPTION**

FIG. 1 is a top plan view of a massage tool showing my new design, the bottom plan view is a mirror image;

FIG. 2 is a side elevational view of the massage tool shown in FIG. 1 taken along line 2—2 and looking radially inward;

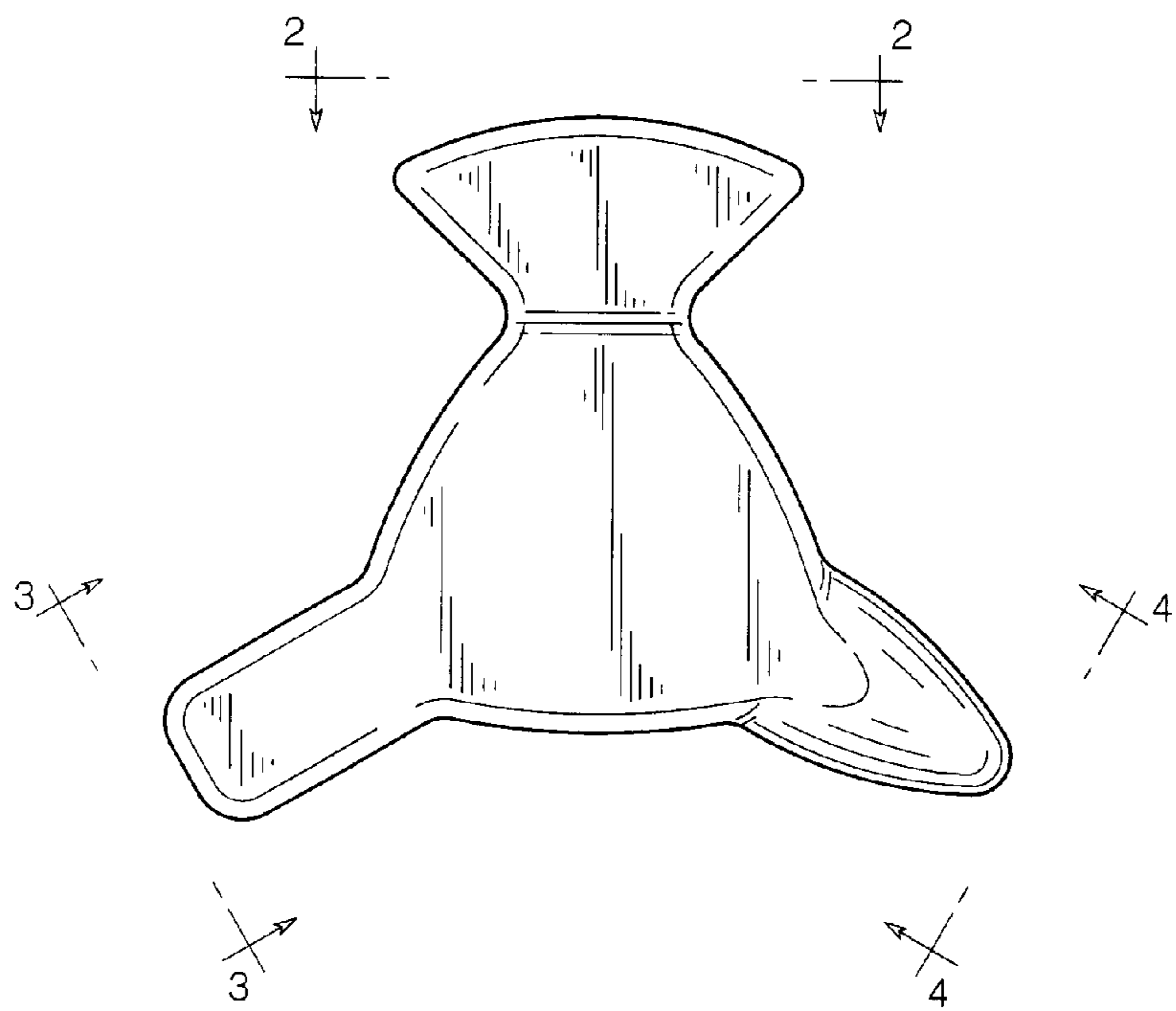
FIG. 3 is a side elevational view of the massage tool shown in FIG. 1 taken along line 3—3 and looking radially inward;

FIG. 4 is a side elevational view of the massage tool shown in FIG. 1 taken along line 4—4 and looking radially inward;

and,

FIG. 5 is a perspective view of the massage tool shown in FIG. 1.

**1 Claim, 1 Drawing Sheet**



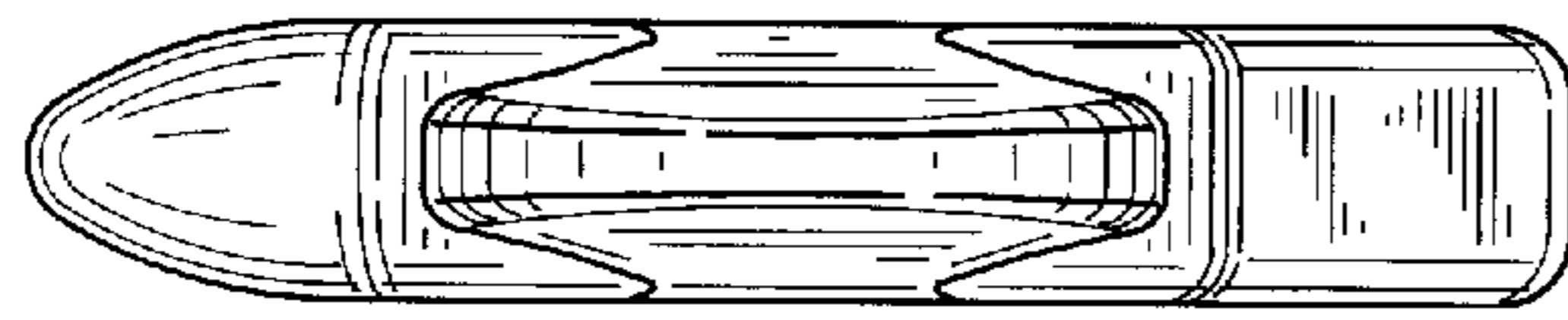
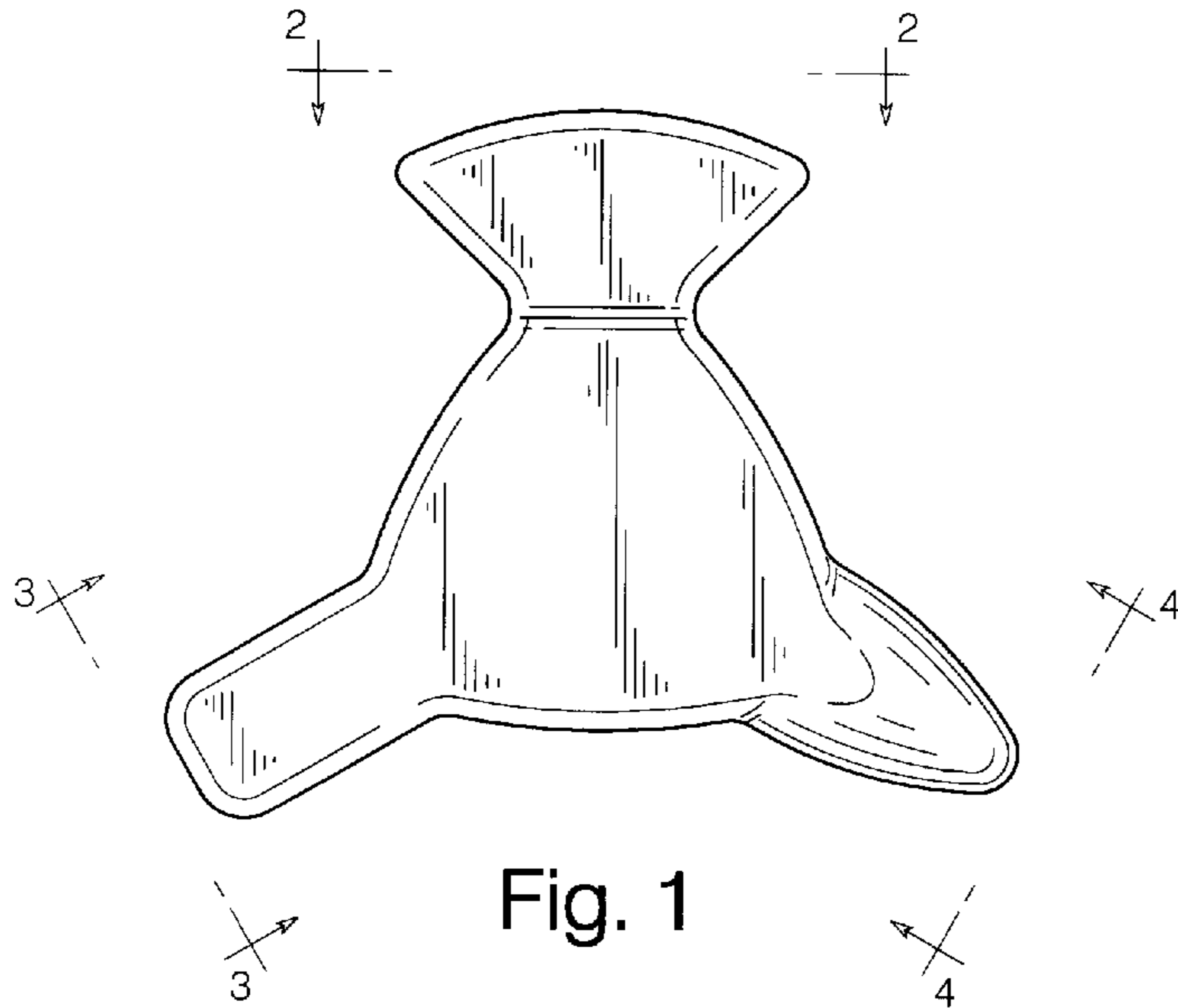


Fig. 2

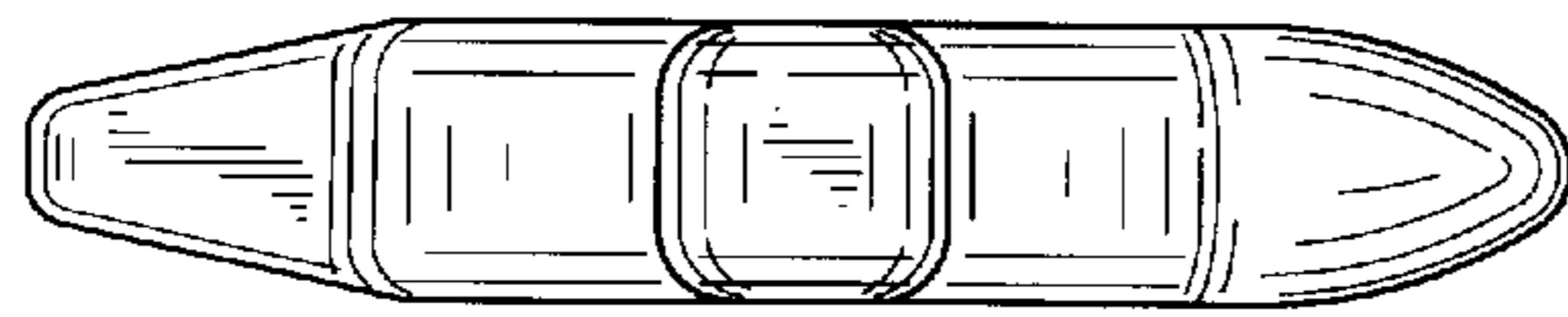


Fig. 3



Fig. 4

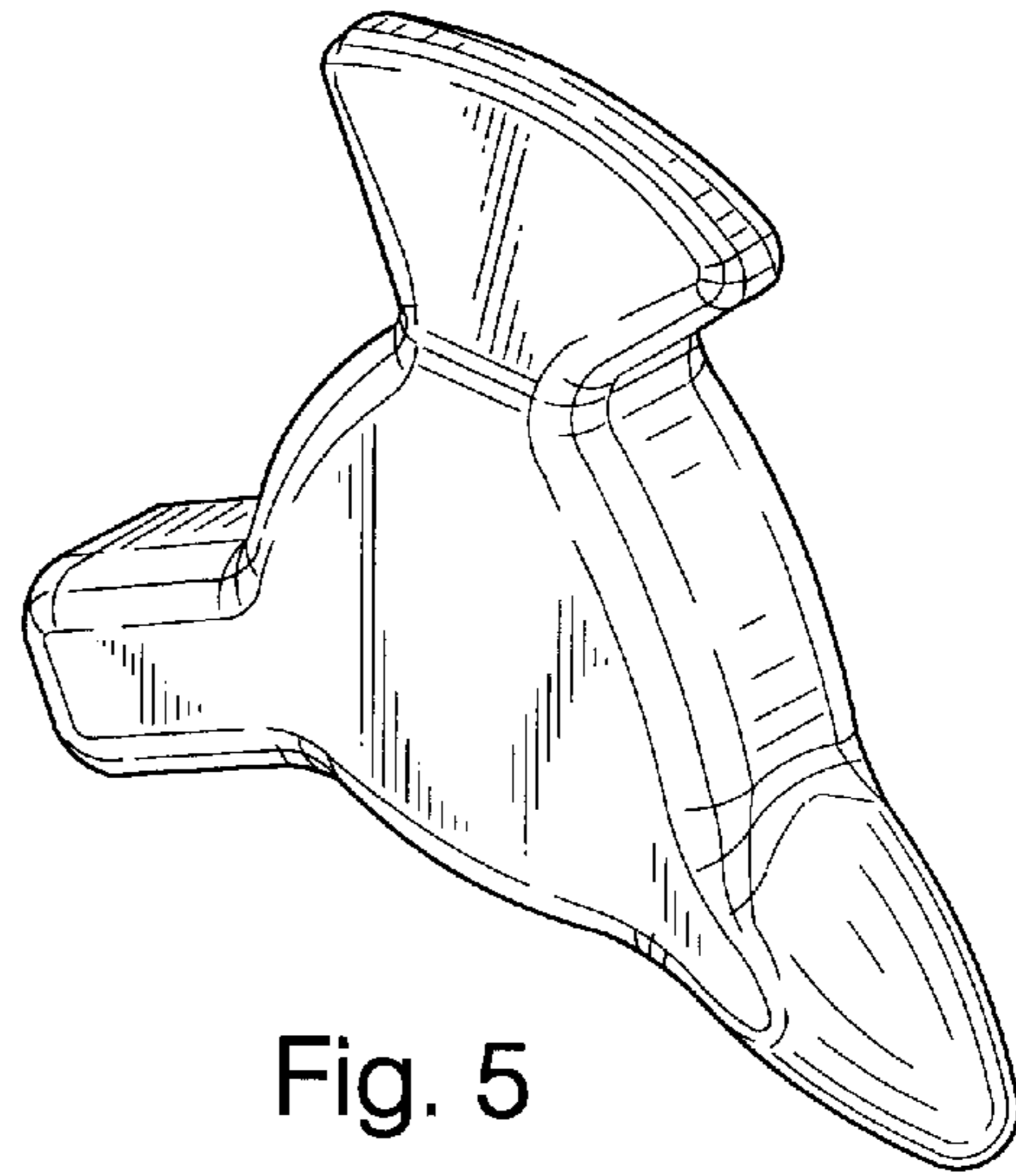


Fig. 5