

US00D542922S

(12) **United States Design Patent**
Worman et al.

(10) **Patent No.:** **US D542,922 S**
(45) **Date of Patent:** **** May 15, 2007**

(54) **BABY BOTTLE WITH INDICATOR LINES**

6,446,821 B1 * 9/2002 Salisbury 215/11.1

(76) Inventors: **Phillip C. Worman**, 400 W. Campbell,
P.O. Box 852, Moorcroft, WY (US)
82721; **Jamye Worman**, 400 W.
Campbell, P.O. Box 852, Moorcroft,
WY (US) 82721

FOREIGN PATENT DOCUMENTS

DE 101 02997 A1 * 7/2002

* cited by examiner

Primary Examiner—Louis S. Zarfaz
Assistant Examiner—Susan E. Krakower

(**) **Term:** **14 Years**

(21) **Appl. No.:** **29/262,568**

(22) **Filed:** **Jul. 6, 2006**

(51) **LOC (8) Cl.** **07-01**

(52) **U.S. Cl.** **D24/197**

(58) **Field of Classification Search** D24/193–99,
D24/215; D7/393–4; D9/436, 456, 526; 215/11.1–11.6,
215/387, 392; 248/102–7

See application file for complete search history.

(57) **CLAIM**

The ornamental design for a baby bottle with indicator lines,
as shown and described.

DESCRIPTION

FIG. 1 is a perspective view of our design;
FIG. 2 is a front elevational view of our design;
FIG. 3 is a back elevational view of our design;
FIG. 4 is a top view of our design;
FIG. 5 is a bottom view of our design; and,
FIG. 6 is a side view of my design, the opposite side view
being a mirror image thereof.

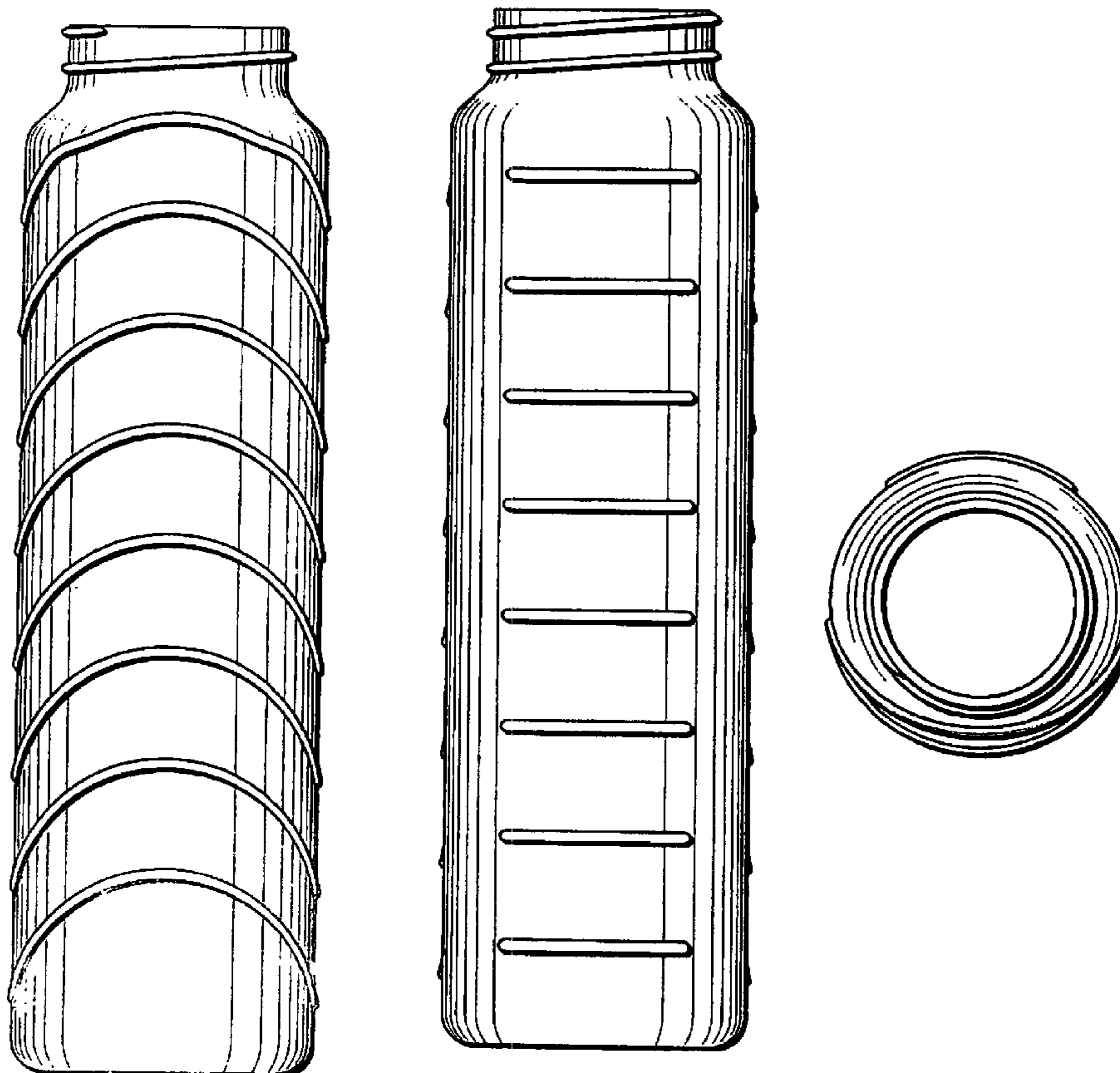
The broken lines showing of a nipple is included for the
purpose of illustrating environmental structure and forms no
part of the claimed design.

(56) **References Cited**

U.S. PATENT DOCUMENTS

3,028,983 A * 4/1962 Barr 215/365
5,069,351 A * 12/1991 Gunderson et al. 215/11.1
5,263,599 A * 11/1993 Sklar 215/11.1
D375,795 S * 11/1996 Astle D24/197
D394,113 S * 5/1998 Walsh et al. D24/197

1 Claim, 2 Drawing Sheets



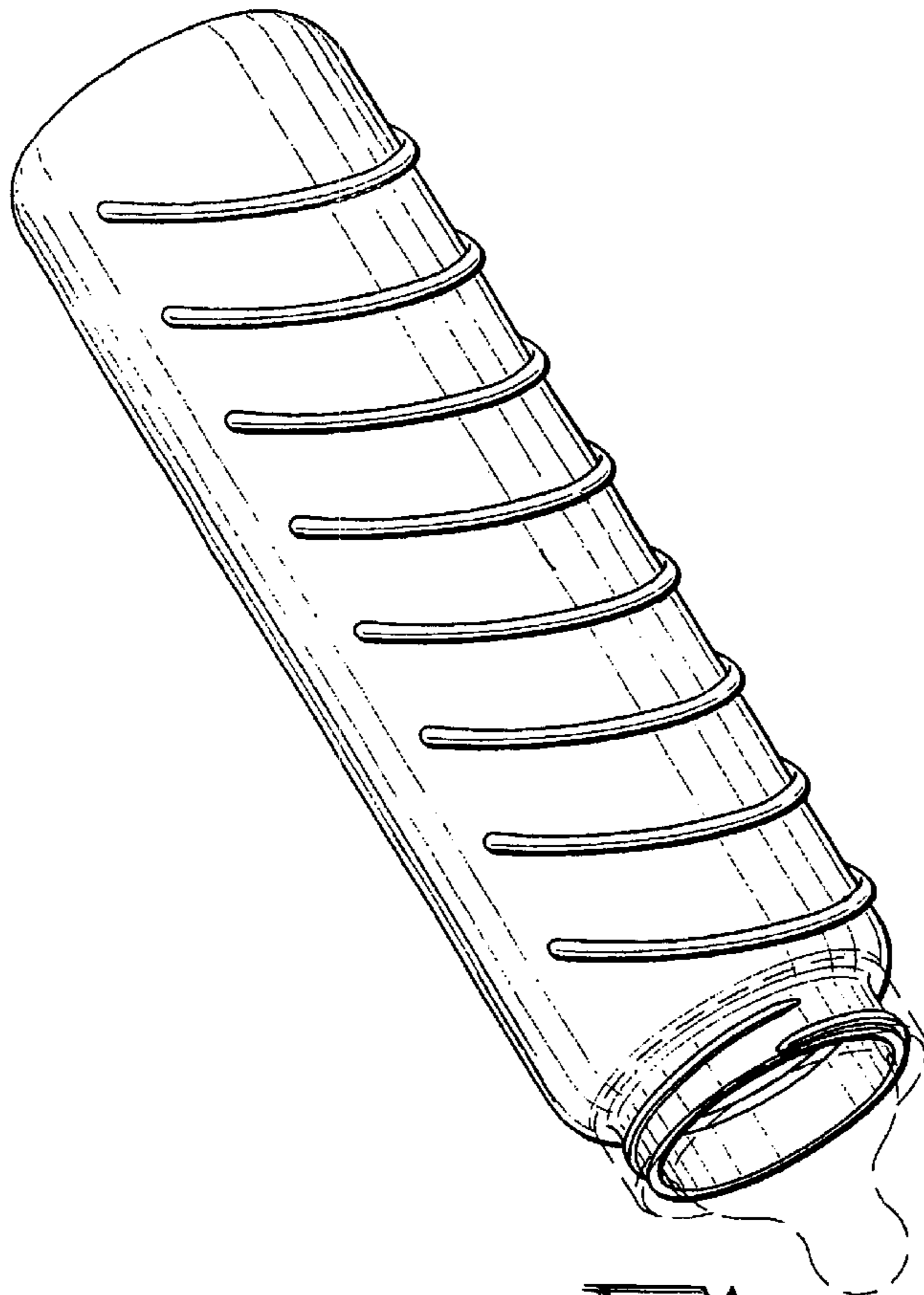


FIG. 1

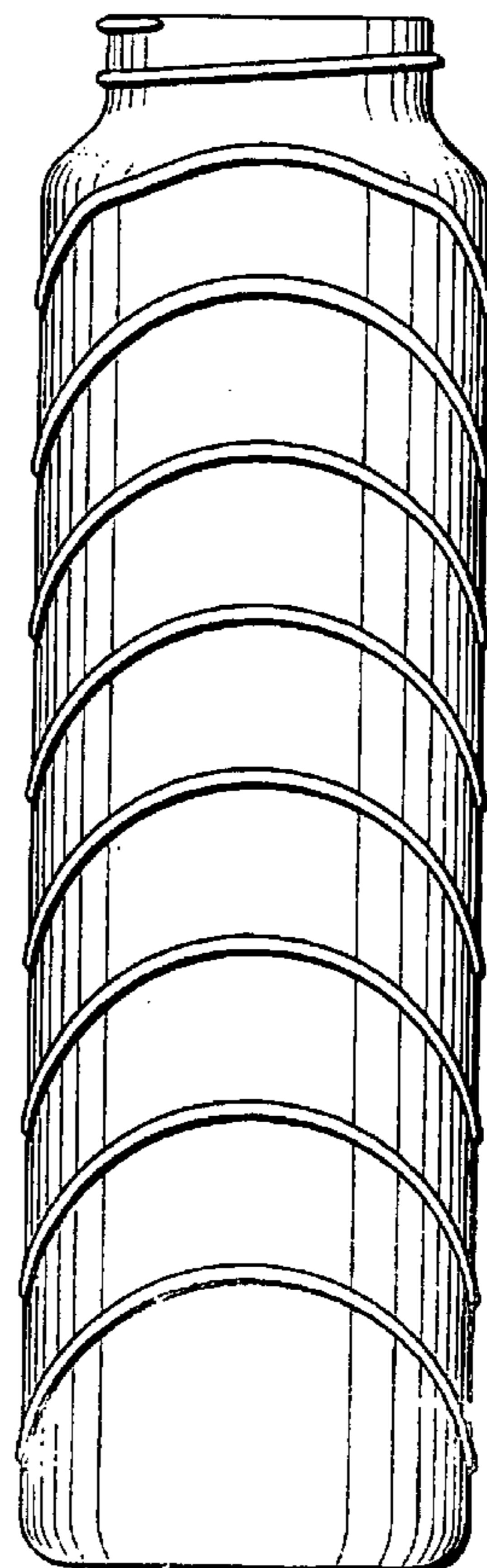


FIG. 2

