

US00D542921S

(12) **United States Design Patent** (10) **Patent No.:** **US D542,921 S**
Ponsi et al. (45) **Date of Patent:** **** May 15, 2007**

(54) **HEEL ULCER PREVENTION AND CUSHIONING BOOT**

(75) Inventors: **Lawrence G. Ponsi**, Wheeling, IL (US); **Barbara T. Skiba**, Chicago, IL (US); **Steven Brown**, Crystal Lake, IL (US)

(73) Assignee: **Sage Products, Inc.**, Cary, IL (US)

(**) Term: **14 Years**

(21) Appl. No.: **29/254,961**

(22) Filed: **Mar. 2, 2006**

(51) **LOC (8) Cl.** **24-04**

(52) **U.S. Cl.** **D24/192**

(58) **Field of Classification Search** D24/109-192;
602/16, 22-3, 26-9, 65, 5-6

See application file for complete search history.

(56) **References Cited**

U.S. PATENT DOCUMENTS

4,538,599	A	*	9/1985	Lindemann	602/23
4,773,170	A	*	9/1988	Moore et al.	36/110
5,088,481	A	*	2/1992	Darby	602/23
D339,671	S	*	9/1993	Manning	D24/192
D352,784	S	*	11/1994	Cohen et al.	D24/192
5,472,414	A	*	12/1995	Detty	602/27
5,542,912	A	*	8/1996	Hess	602/27
5,569,173	A	*	10/1996	Varn	602/27

5,778,565	A	*	7/1998	Holt et al.	36/110
5,885,236	A	*	3/1999	Varn	602/27
5,940,992	A	*	8/1999	Darby	36/110
D438,972	S	*	3/2001	Darby	D2/943
D440,661	S	*	4/2001	Cionitti	D24/192
6,277,087	B1	*	8/2001	Hess et al.	602/27
D455,836	S	*	4/2002	Lammers	D24/192
D509,586	S	*	9/2005	Lee	D24/128

* cited by examiner

Primary Examiner—Louis S. Zarfaz

Assistant Examiner—Susan E. Krakower

(74) *Attorney, Agent, or Firm*—Barnes & Thornburg LLP

(57) **CLAIM**

The ornamental design for a heel ulcer prevention and cushioning boot, as shown and described.

DESCRIPTION

FIG. 1 is a front perspective view of a heel ulcer prevention and cushioning boot according to our invention; FIG. 2 is a side elevational illustration thereof; FIG. 3 is a rear elevational view thereof, taken from the left side of FIG. 2; FIG. 4 is an end elevational view thereof, taken from the right side of FIG. 2; FIG. 5 is a side elevational illustration thereof of the side opposite to FIG. 2; FIG. 6 is a top plan view thereof; and, FIG. 7 is a bottom plan view thereof.

1 Claim, 4 Drawing Sheets

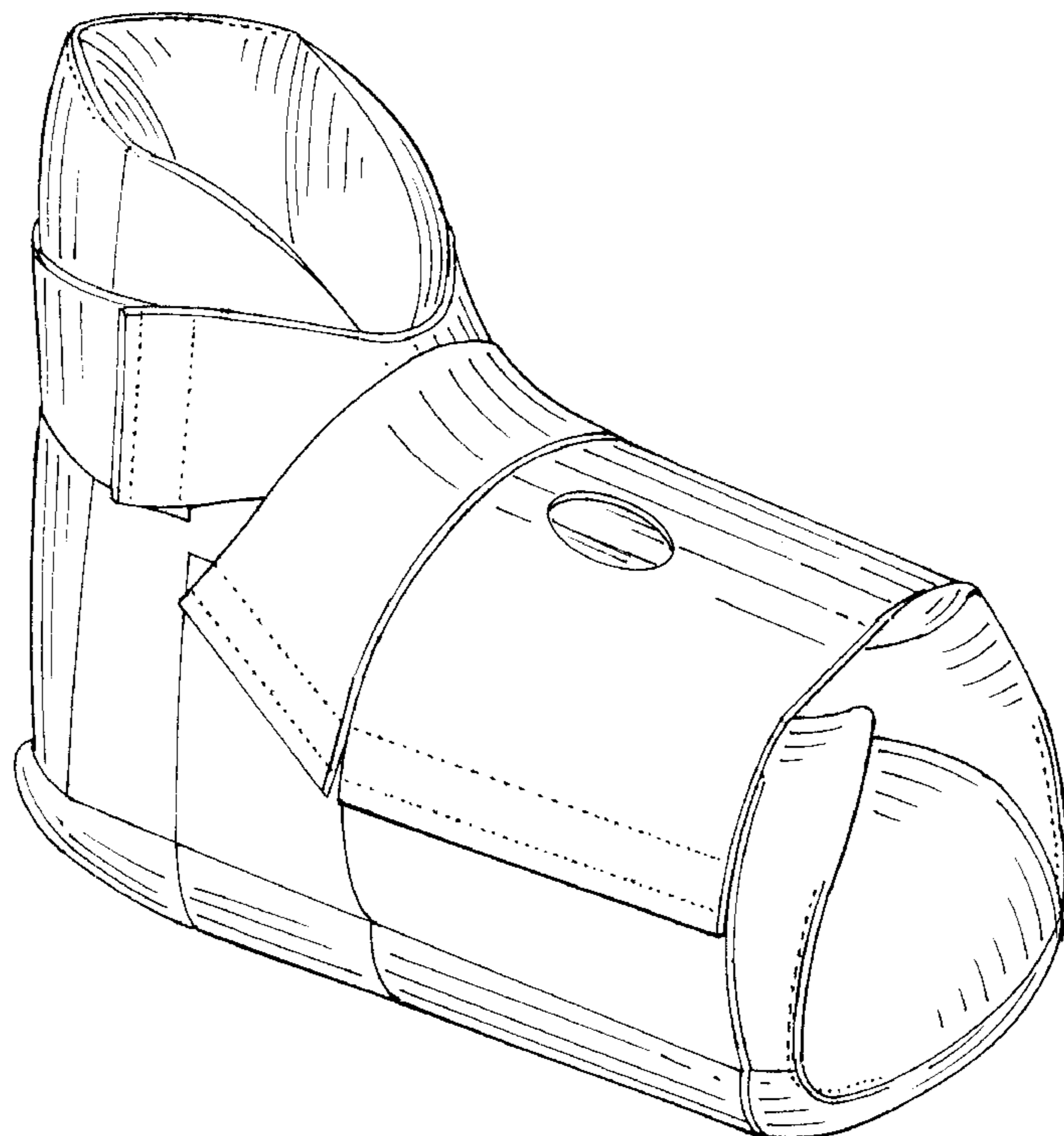


FIG. 1

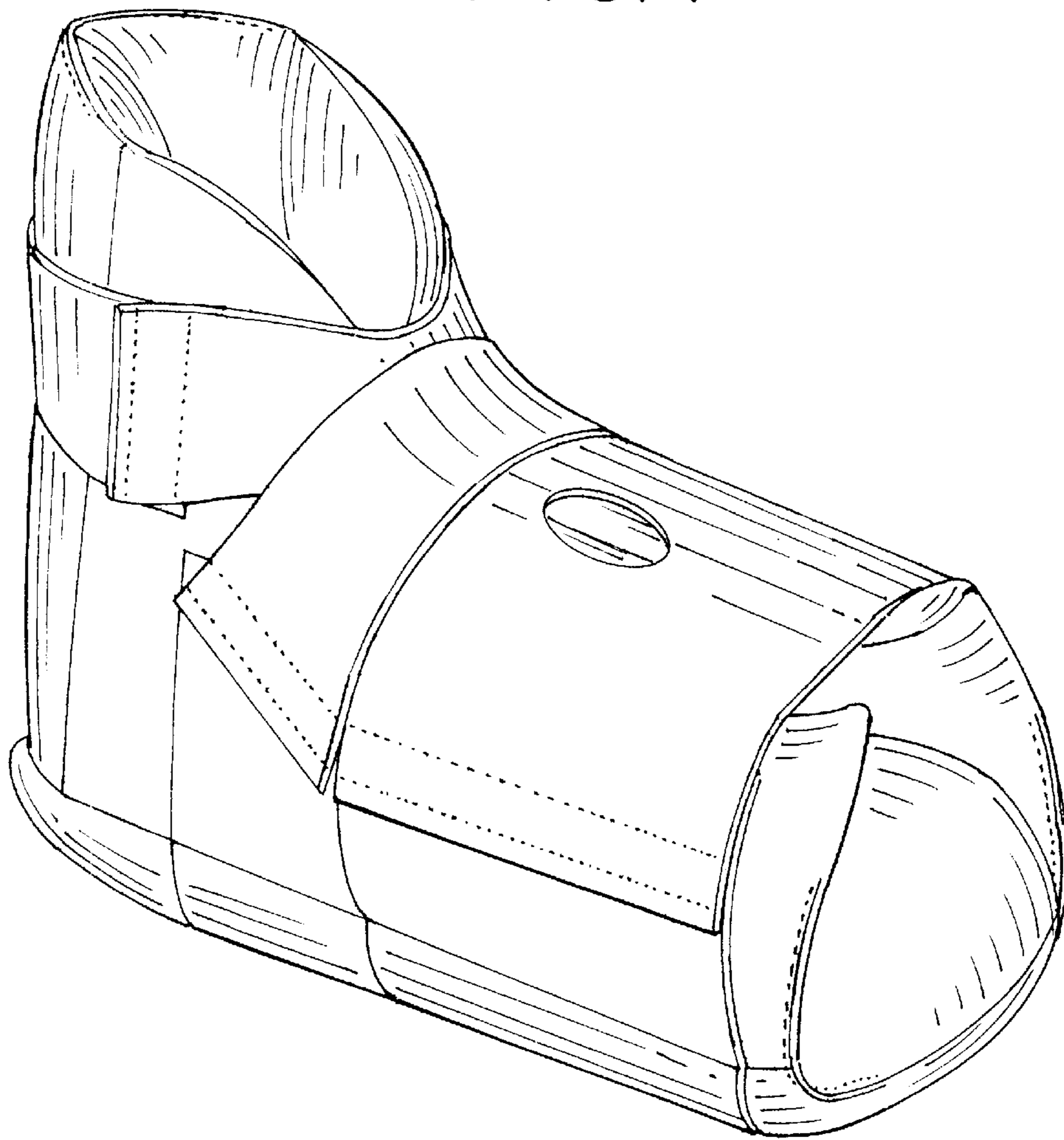


FIG. 2

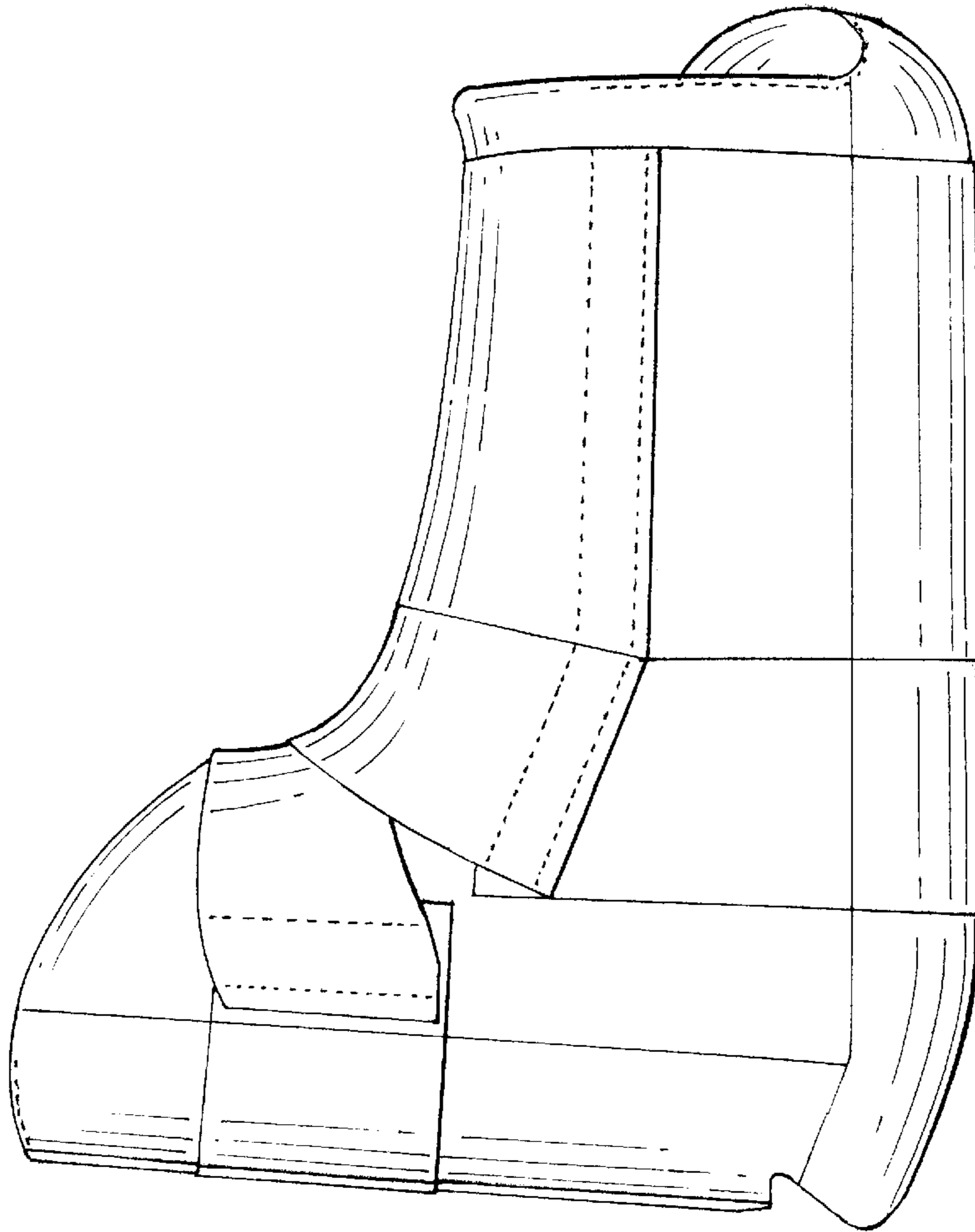


FIG. 3

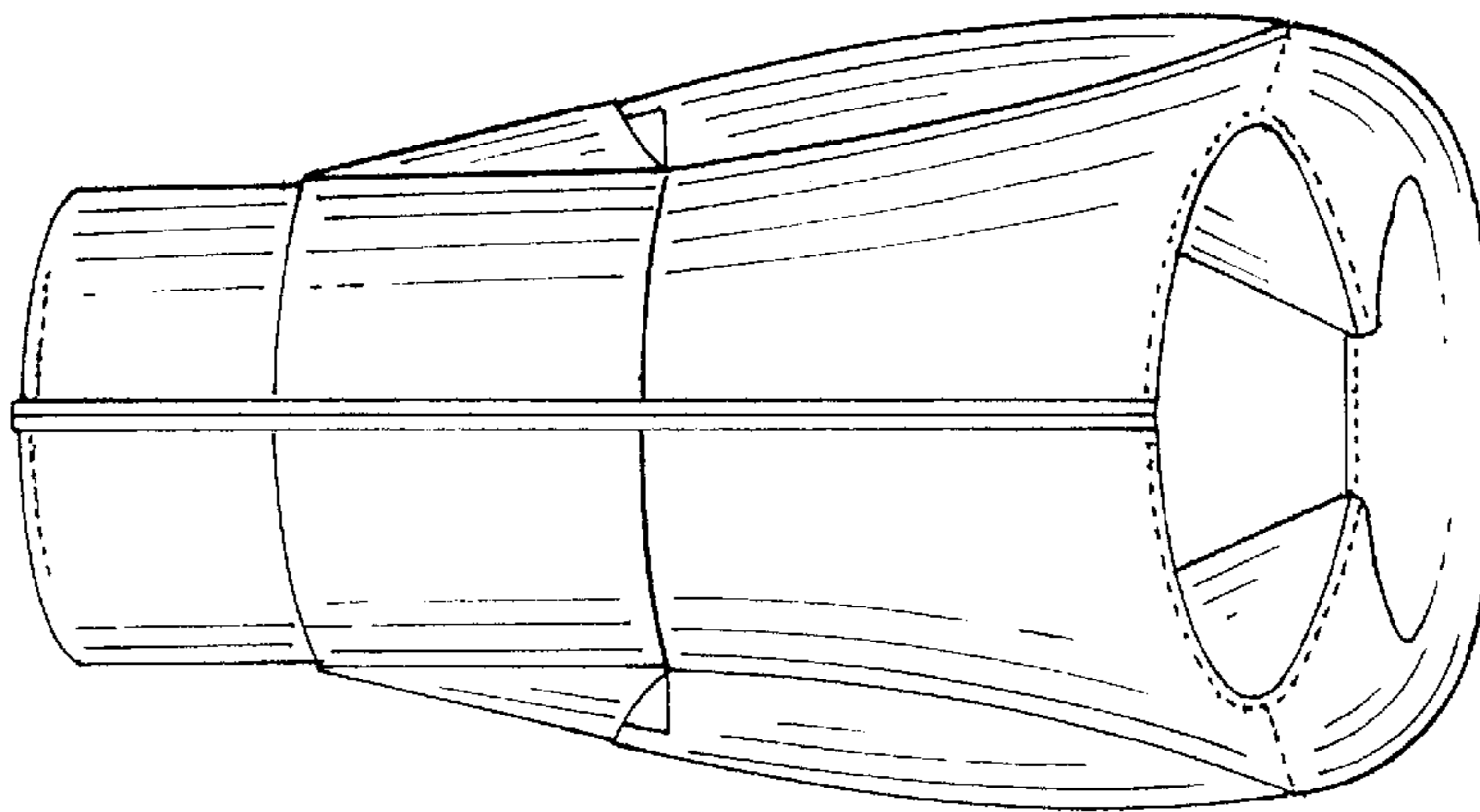


FIG. 5

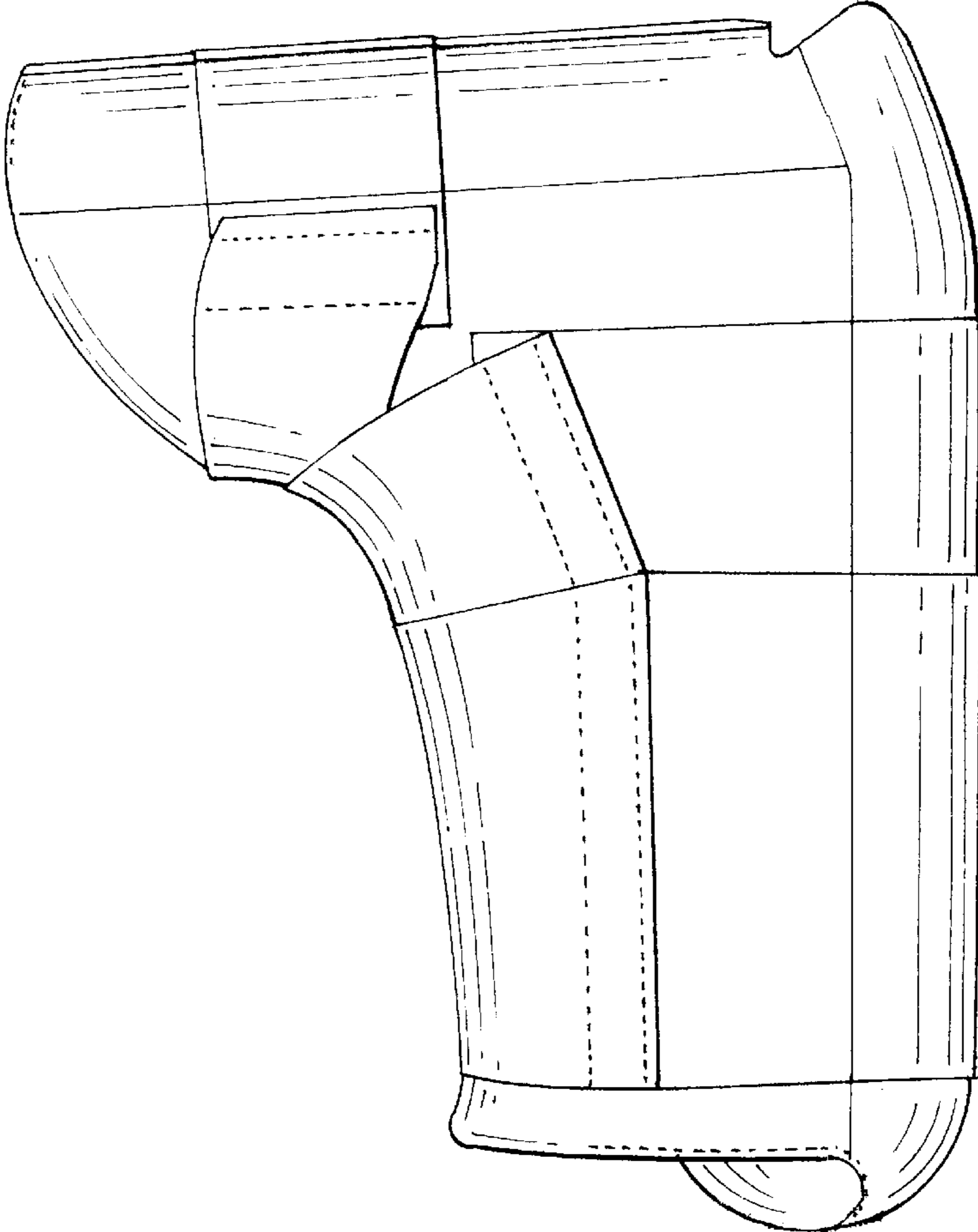


FIG. 4

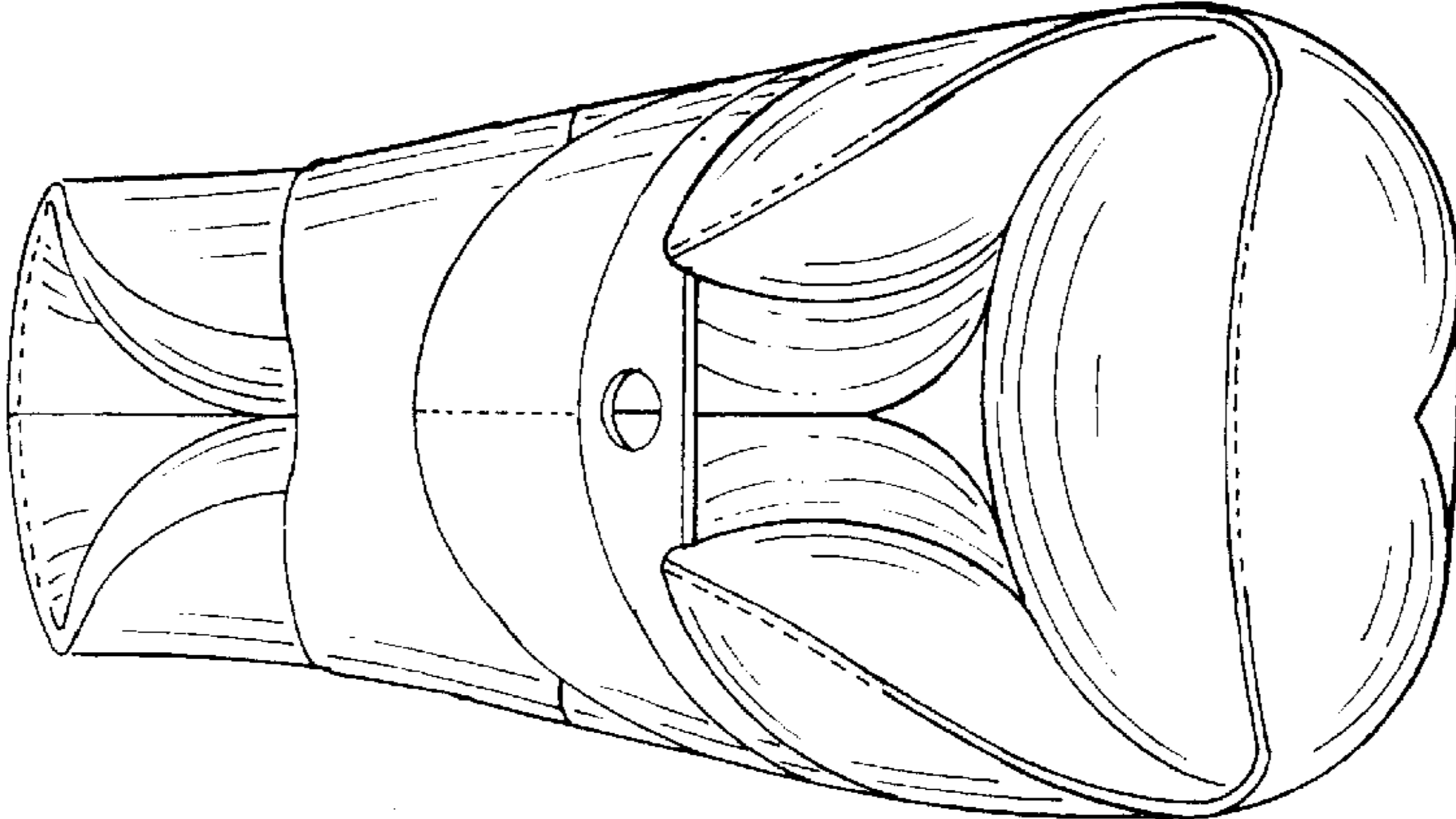


FIG. 6

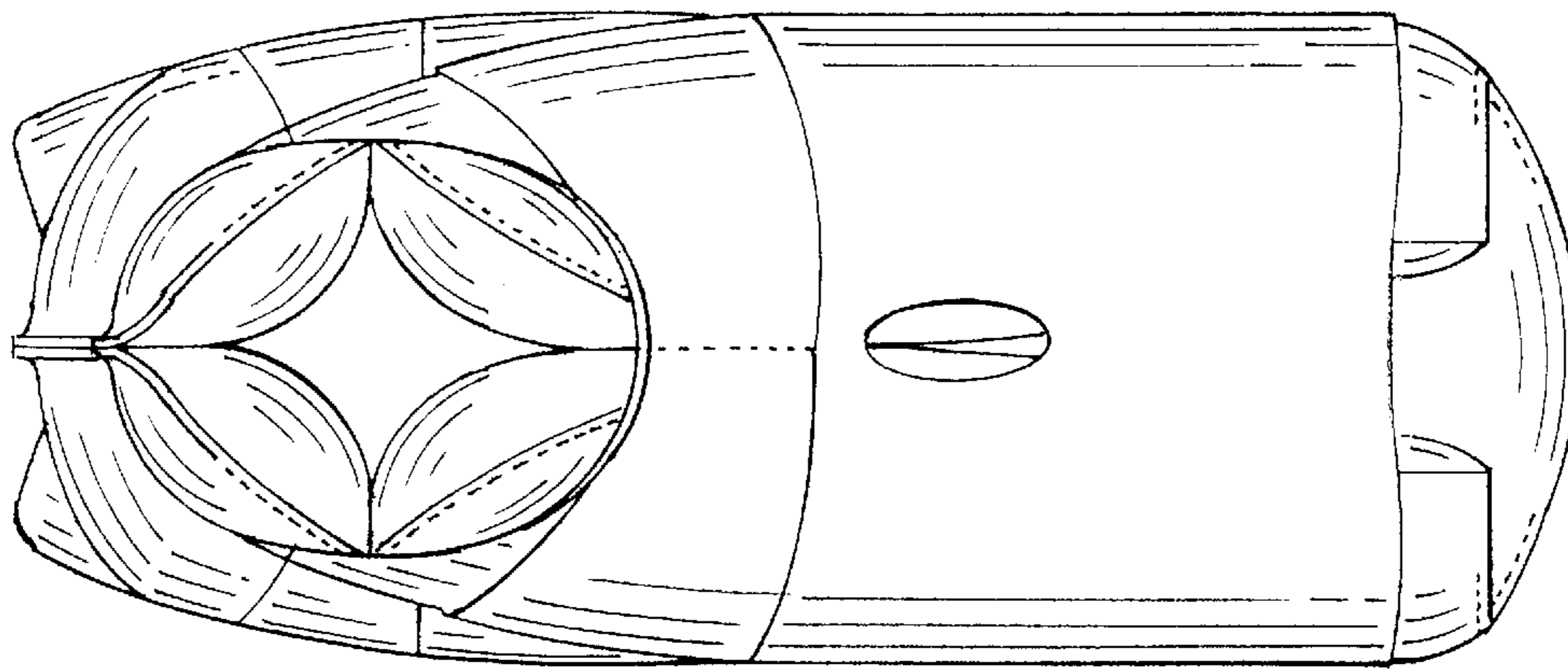


FIG. 7

