



US00D542919S

(12) **United States Design Patent**
Leatt

(10) **Patent No.:** **US D542,919 S**

(45) **Date of Patent:** **** May 15, 2007**

(54) **NECK BRACE**

(76) **Inventor:** **Christopher James Leatt**, 4 De Cock Avenue, Constantia 7800 (ZA)

(**) **Term:** **14 Years**

(21) **Appl. No.:** **29/225,477**

(22) **Filed:** **Mar. 17, 2005**

(30) **Foreign Application Priority Data**

Sep. 17, 2004 (ZA) F2004/1239

(51) **LOC (8) Cl.** **24-01**

(52) **U.S. Cl.** **D24/191**

(58) **Field of Classification Search** D24/109-192;
602/16, 22-3, 26-9, 65, 5-6; 606/241; 601/39;
128/DIG. 23

See application file for complete search history.

(56) **References Cited**

U.S. PATENT DOCUMENTS

2,474,200	A	*	6/1949	McBee	602/18
2,828,736	A	*	4/1958	Monfardini	602/18
D198,069	S	*	4/1964	Connelly	D24/191
D203,018	S	*	11/1965	Helferich	D24/191
3,306,284	A	*	2/1967	McKinley	602/18
3,313,297	A	*	4/1967	Applegate et al.	602/18
3,364,926	A	*	1/1968	Alderson	602/18

D278,747	S	*	5/1985	Peach, Jr	D24/191
4,708,129	A	*	11/1987	Pujals, Jr.	602/18
4,827,915	A	*	5/1989	Gorsen	602/18
5,230,698	A	*	7/1993	Garth	602/18
D365,398	S	*	12/1995	Maynard	D24/191
RE35,290	E	*	7/1996	Druskoczi	602/18
D422,710	S	*	4/2000	Maynard	D24/190
RE36,745	E	*	6/2000	Rudy et al.	602/18
6,423,020	B1	*	7/2002	Koledin	602/18

* cited by examiner

Primary Examiner—Louis S. Zarfaz

Assistant Examiner—Susan E. Krakower

(74) *Attorney, Agent, or Firm*—Bingham McCutchen LLP

(57) **CLAIM**

The ornamental design for a neck brace, as shown and described.

DESCRIPTION

FIG. 1 is a front elevation view of a neck brace of my new design;

FIG. 2 is a pictorial view of the neck brace of FIG. 1;

FIG. 3 is a rear elevation view of the neck brace of FIG. 1;

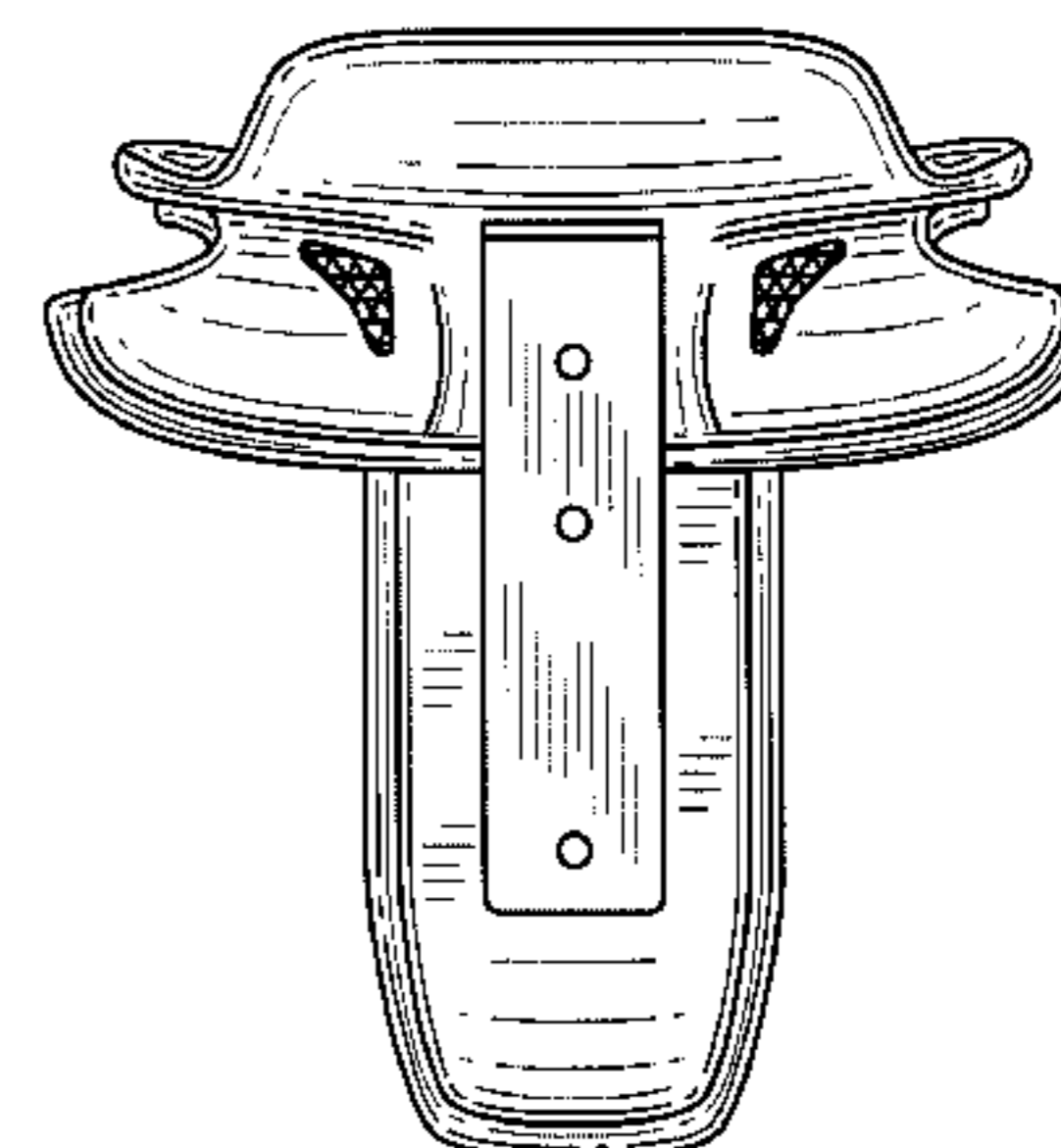
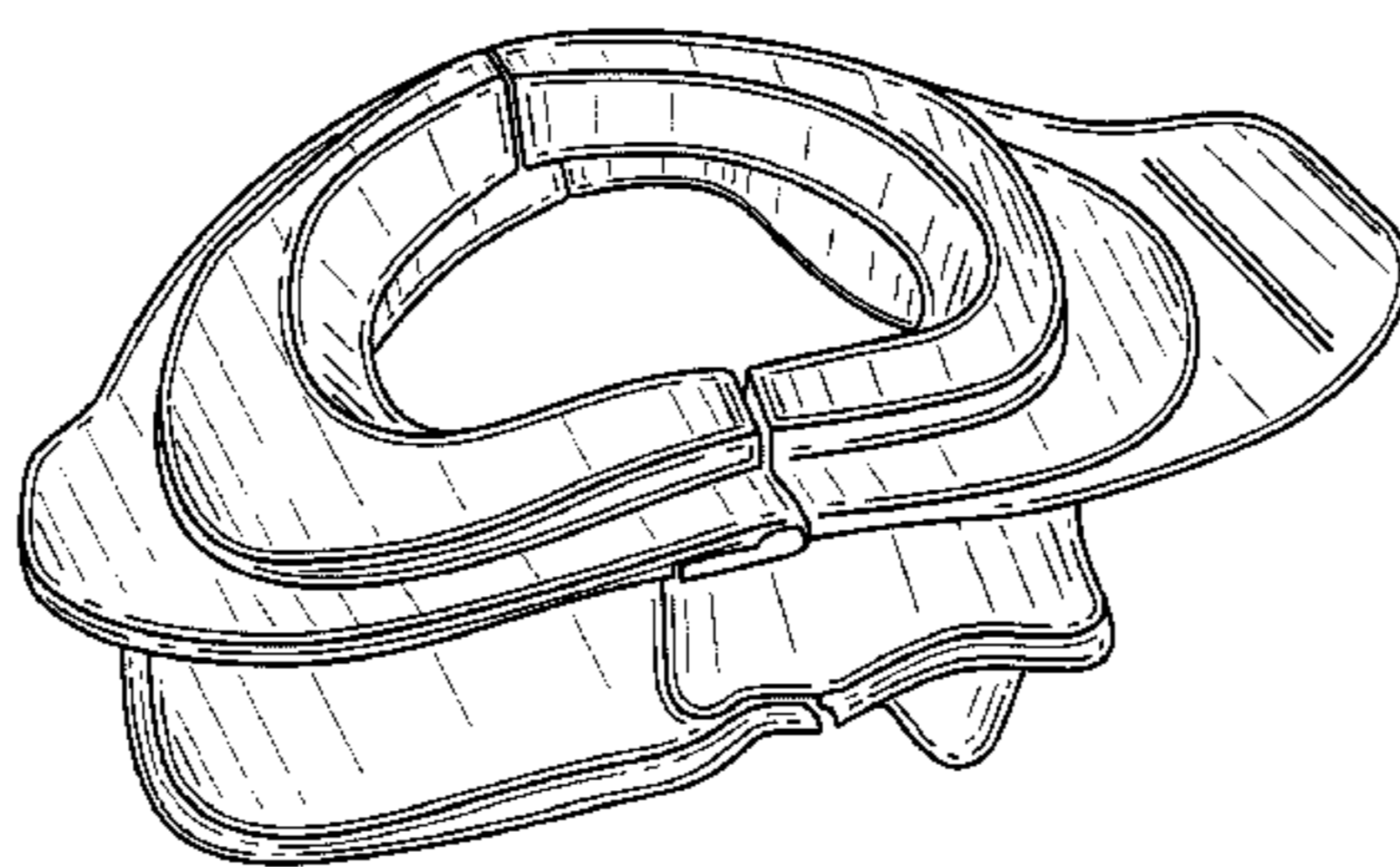
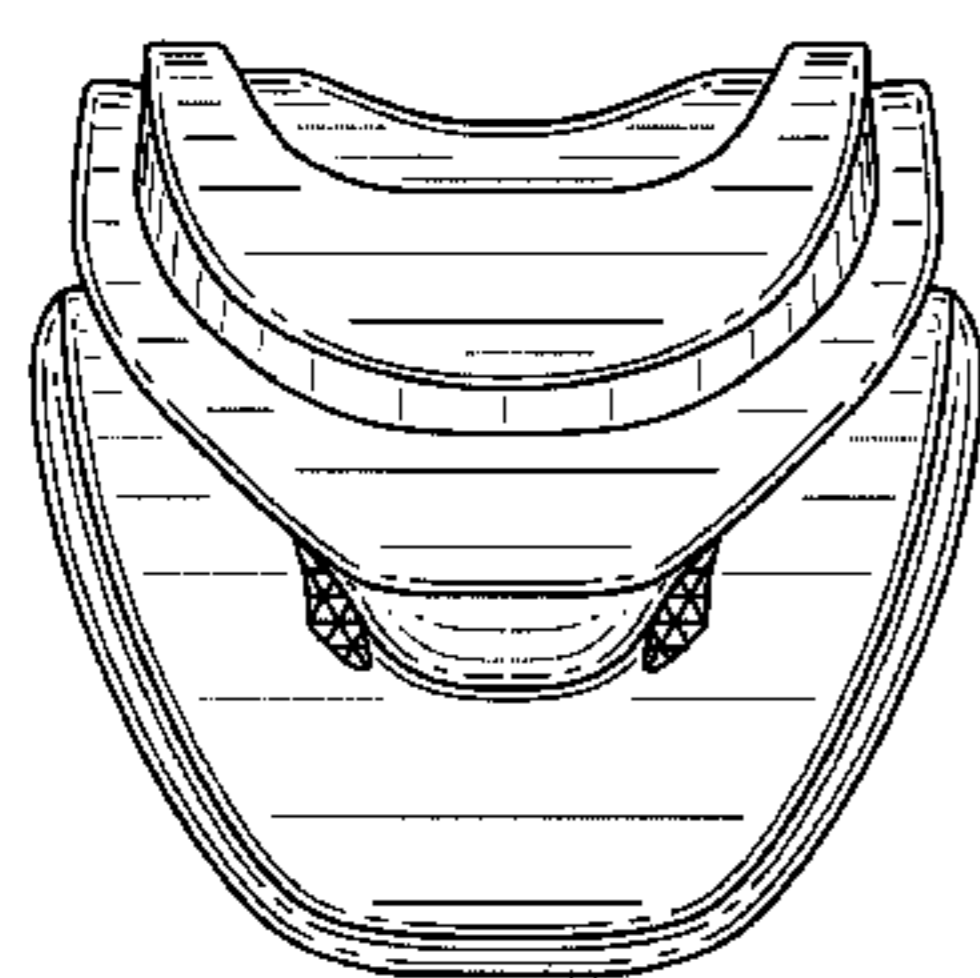
FIG. 4 is a side elevation view of the neck brace of FIG. 1;

FIG. 5 is a top plan view of the neck brace of FIG. 1; and,

FIG. 6 is an underneath plan view of the neck brace of FIG. 1.

1.

1 Claim, 3 Drawing Sheets



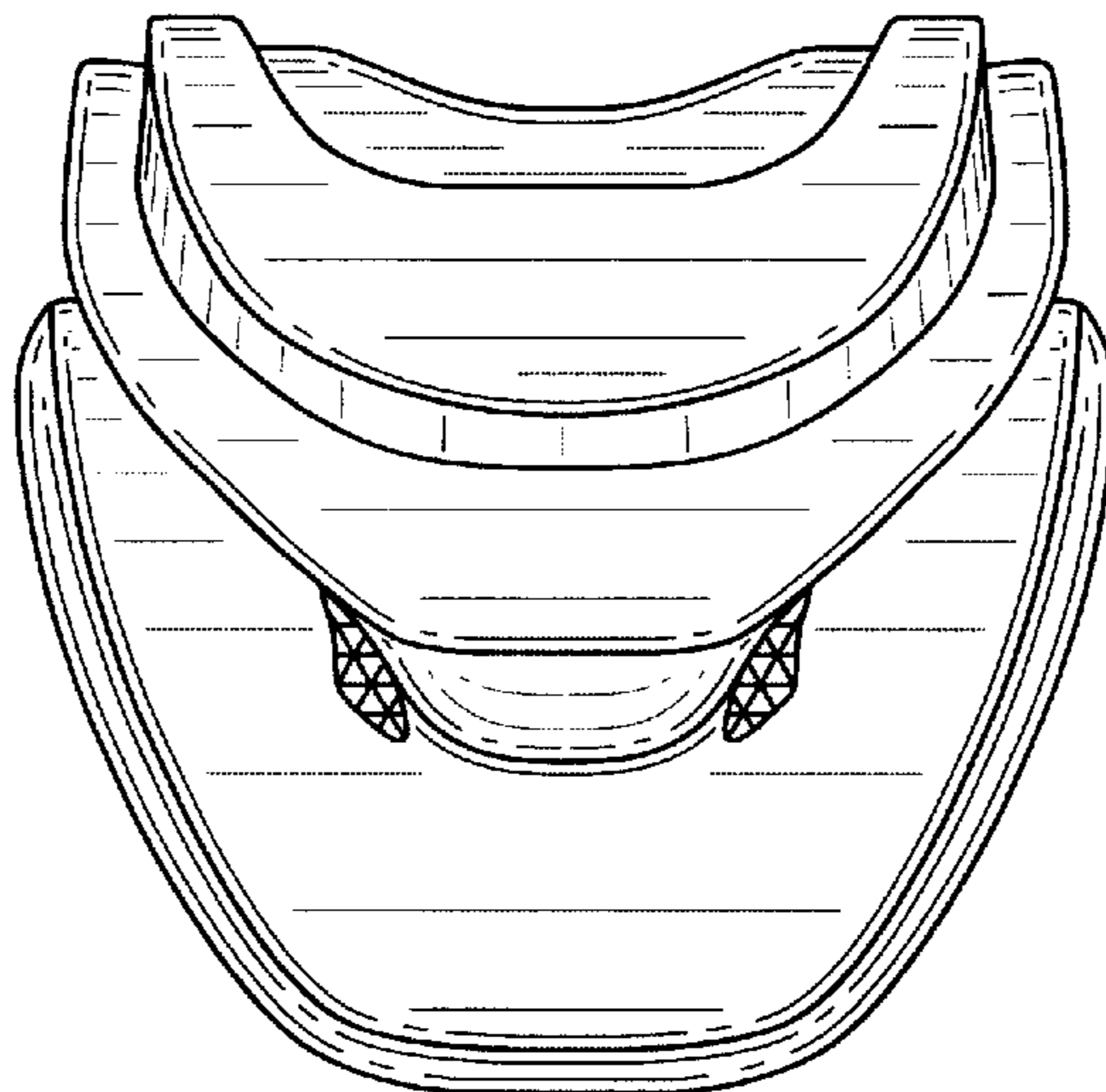


FIG. 1

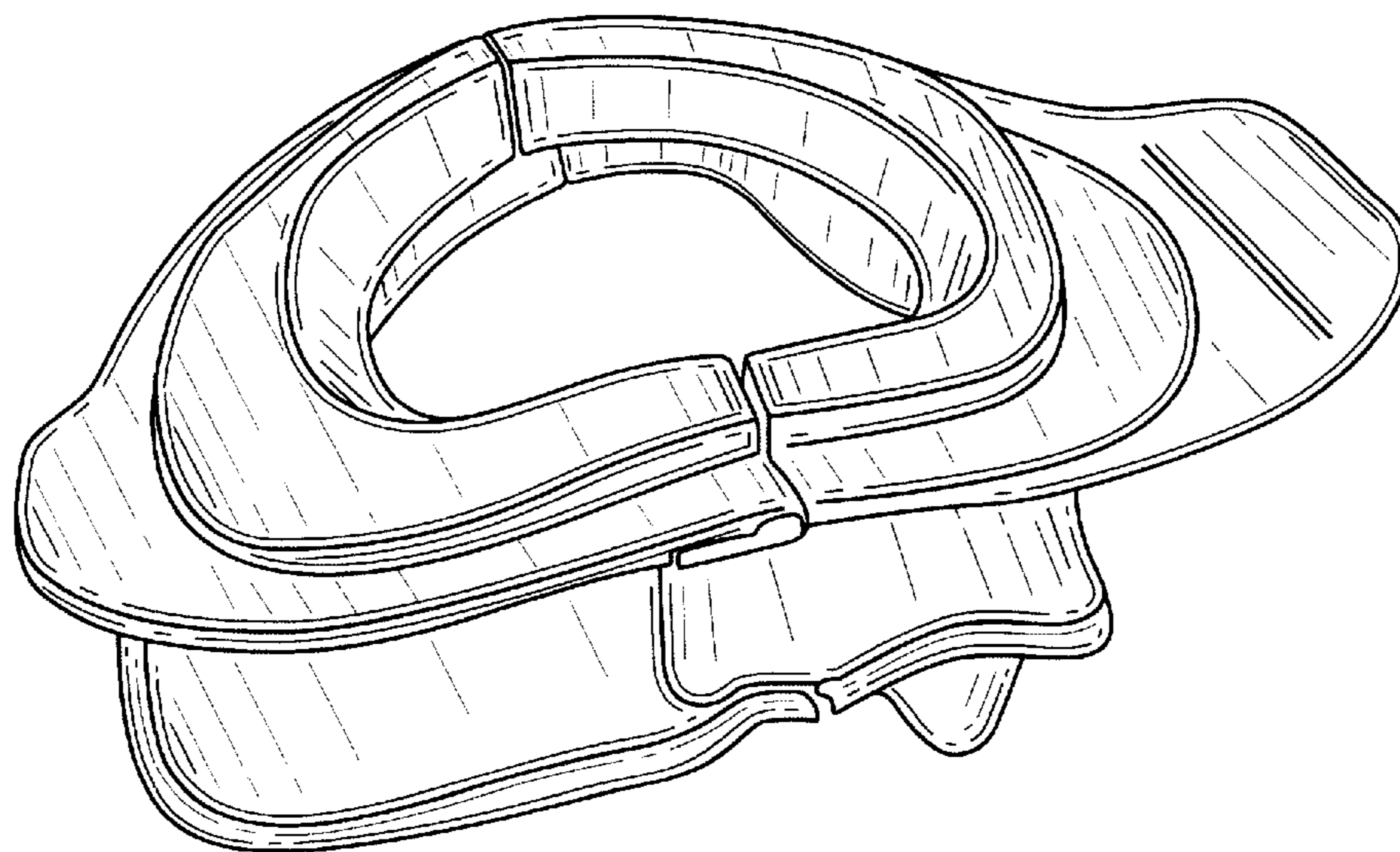


FIG. 2

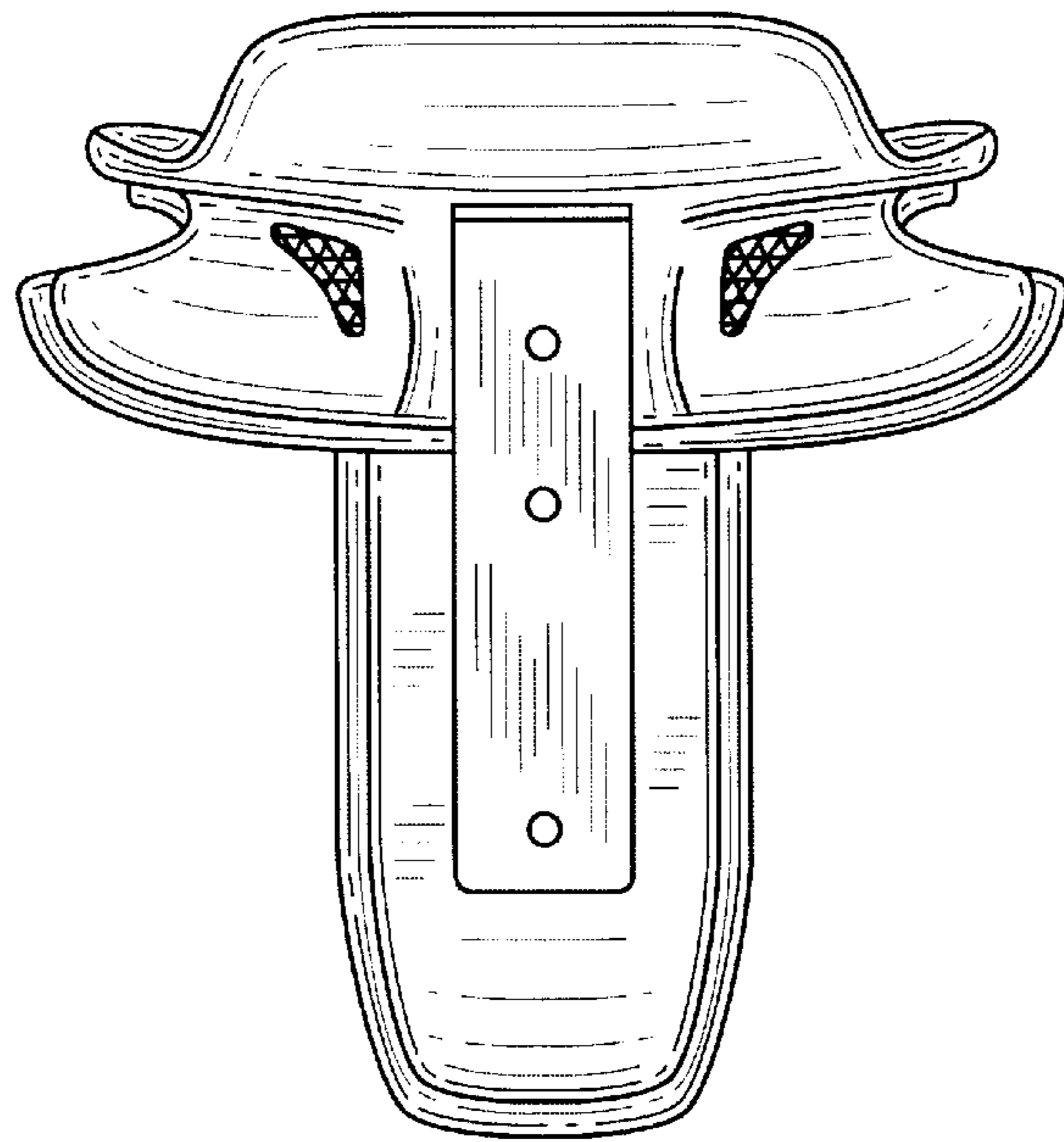


FIG. 3

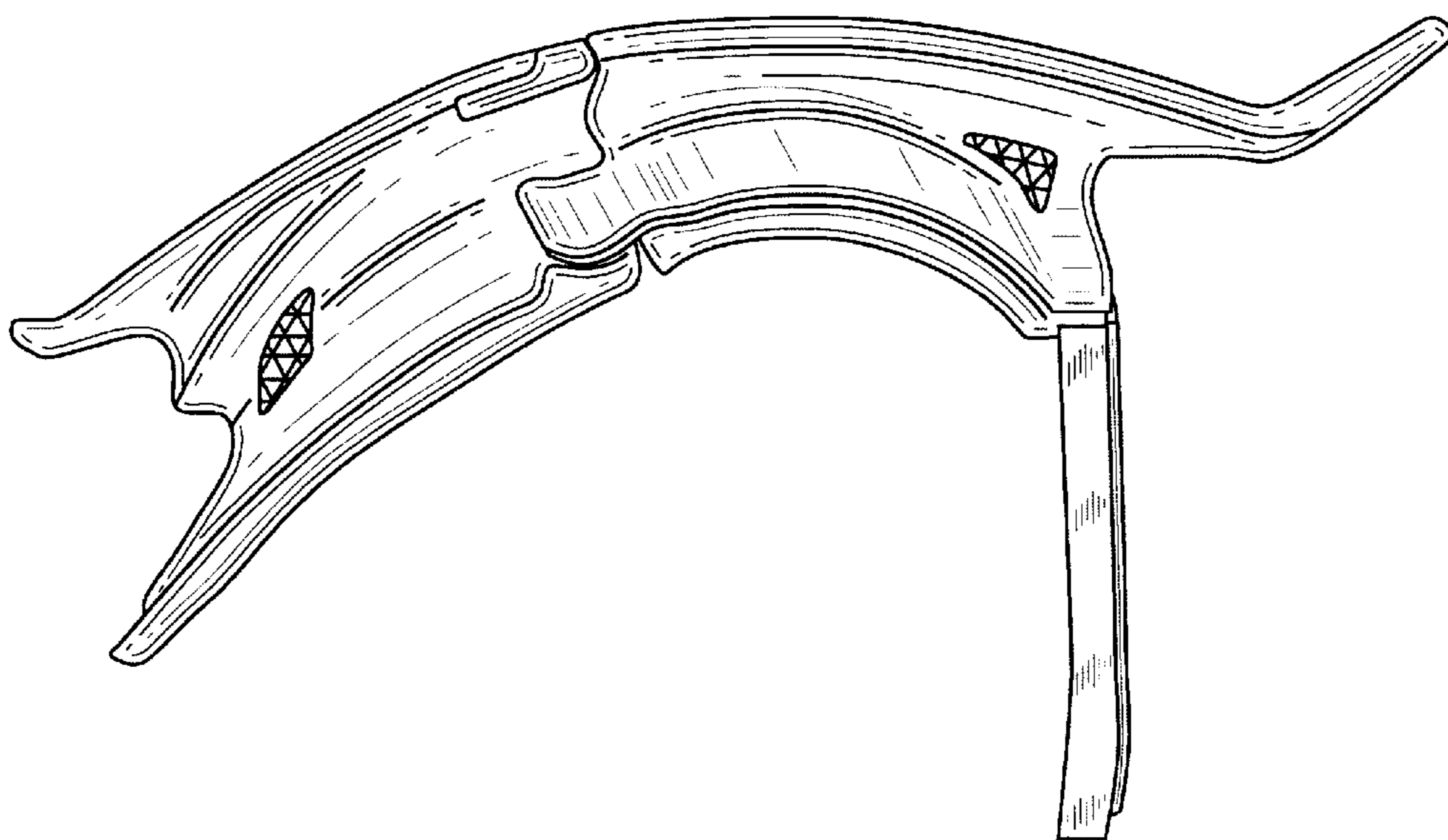


FIG. 4

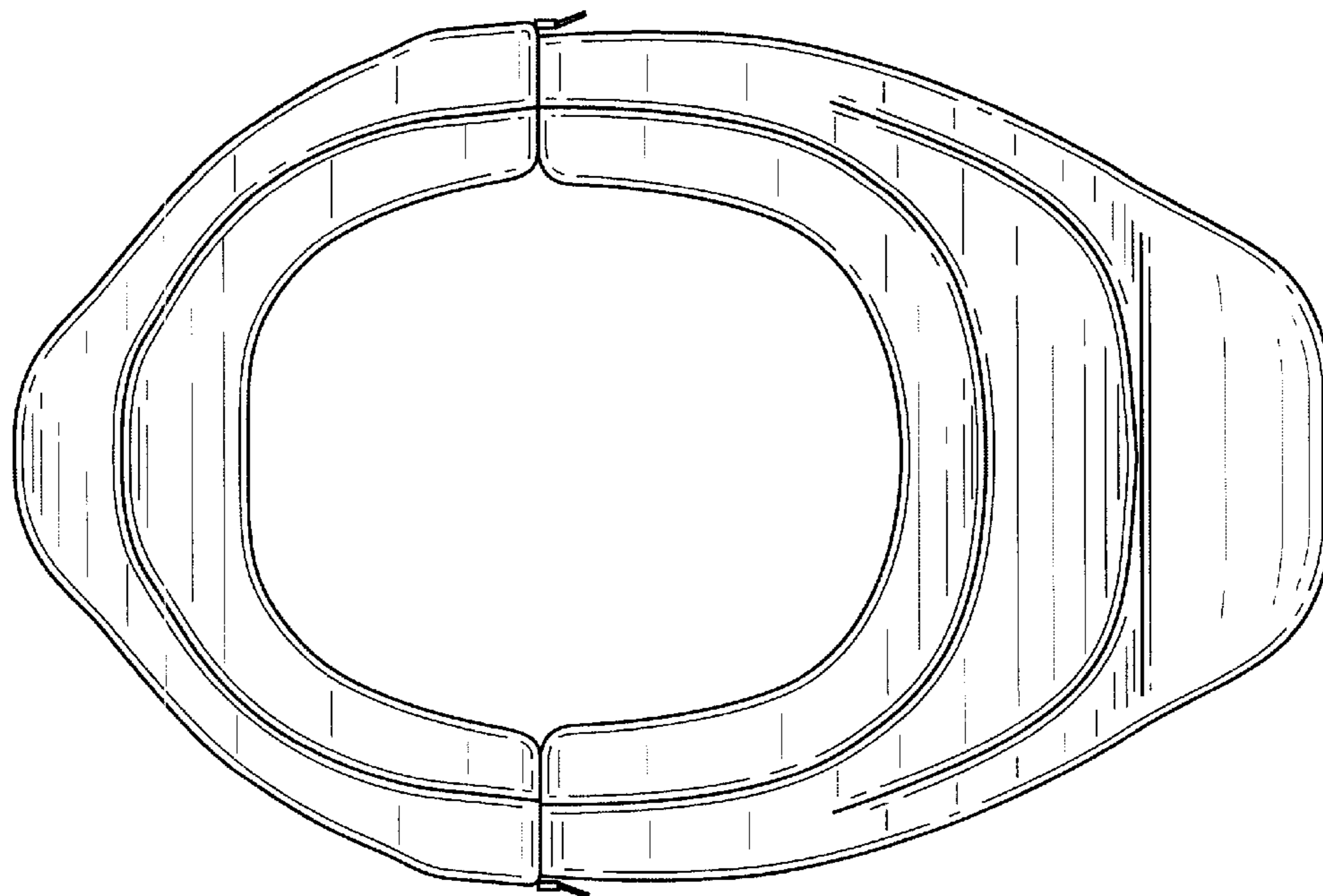


FIG. 5

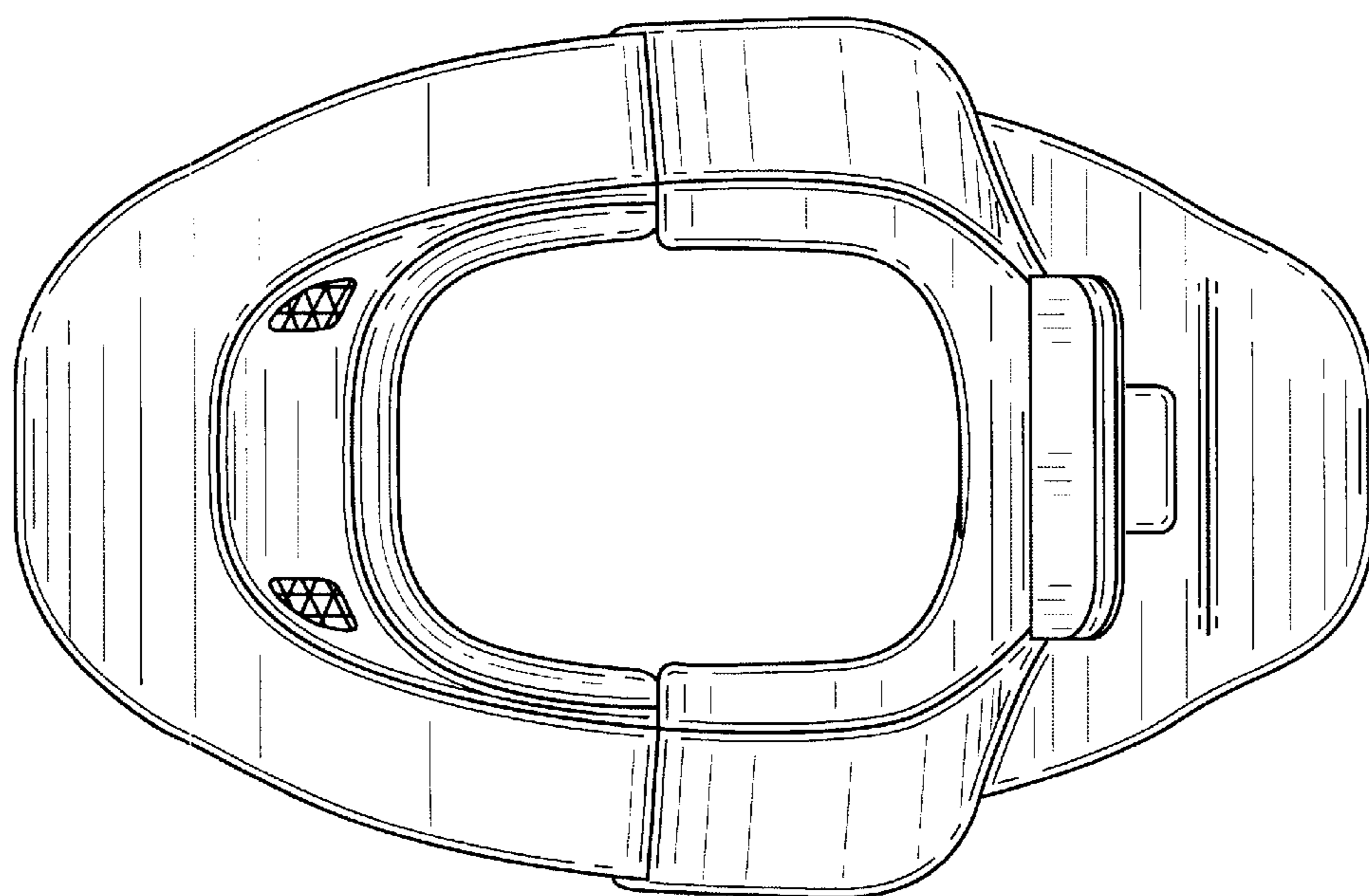


FIG. 6