



US00D542918S

(12) **United States Design Patent**
Albrecht et al.

(10) **Patent No.: US D542,918 S**

(45) **Date of Patent: ** *May 15, 2007**

(54) **TROCAR**

(75) Inventors: **Thomas E. Albrecht**, Cincinnati, OH (US); **David K. Norvell**, Monroe, OH (US)

(73) Assignee: **Ethicon Endo-Surgery, Inc.**, Cincinnati, OH (US)

(*) Notice: This patent is subject to a terminal disclaimer.

(**) Term: **14 Years**

(21) Appl. No.: **29/222,999**

(22) Filed: **Feb. 8, 2005**

(51) **LOC (8) Cl.** **24-02**

(52) **U.S. Cl.** **D24/146; D24/147**

(58) **Field of Classification Search** D24/146, D24/147, 133; 604/164, 167.07, 167.04, 604/158, 167, 169; 600/566, 567, 568; 606/167, 606/170

See application file for complete search history.

(56) **References Cited**

U.S. PATENT DOCUMENTS

D349,574 S * 8/1994 Metcalf et al. D24/146

D362,066 S * 9/1995 Petruschke et al. D24/146
D364,924 S * 12/1995 Medema D24/146
5,980,544 A * 11/1999 Vaitekunas 606/169
6,685,665 B2 * 2/2004 Booth et al. 604/26

* cited by examiner

Primary Examiner—Ian Simmons

Assistant Examiner—W. Laymon

(74) *Attorney, Agent, or Firm*—Victor C. Moreno

(57) **CLAIM**

The ornamental design for a trocar, as shown and described.

DESCRIPTION

FIG. 1 is a perspective view of a trocar showing our new design.

FIG. 2 is an exploded perspective view thereof.

FIG. 3 is a front view thereof.

FIG. 4 is a side view thereof.

FIG. 5 is a side view thereof opposite to that shown in FIG. 4.

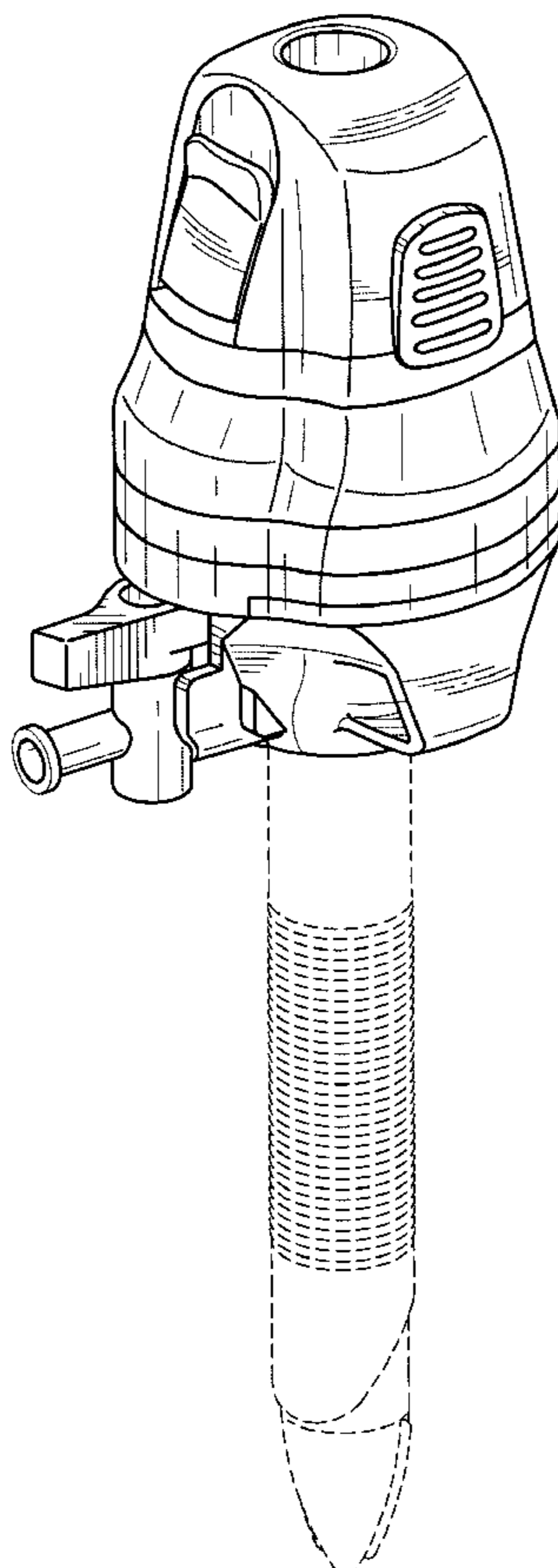
FIG. 6 is a back view thereof.

FIG. 7 is a top view thereof; and,

FIG. 8 is a bottom view thereof.

The broken line showing is for illustrative purposes only and forms no part of the claimed design.

1 Claim, 5 Drawing Sheets



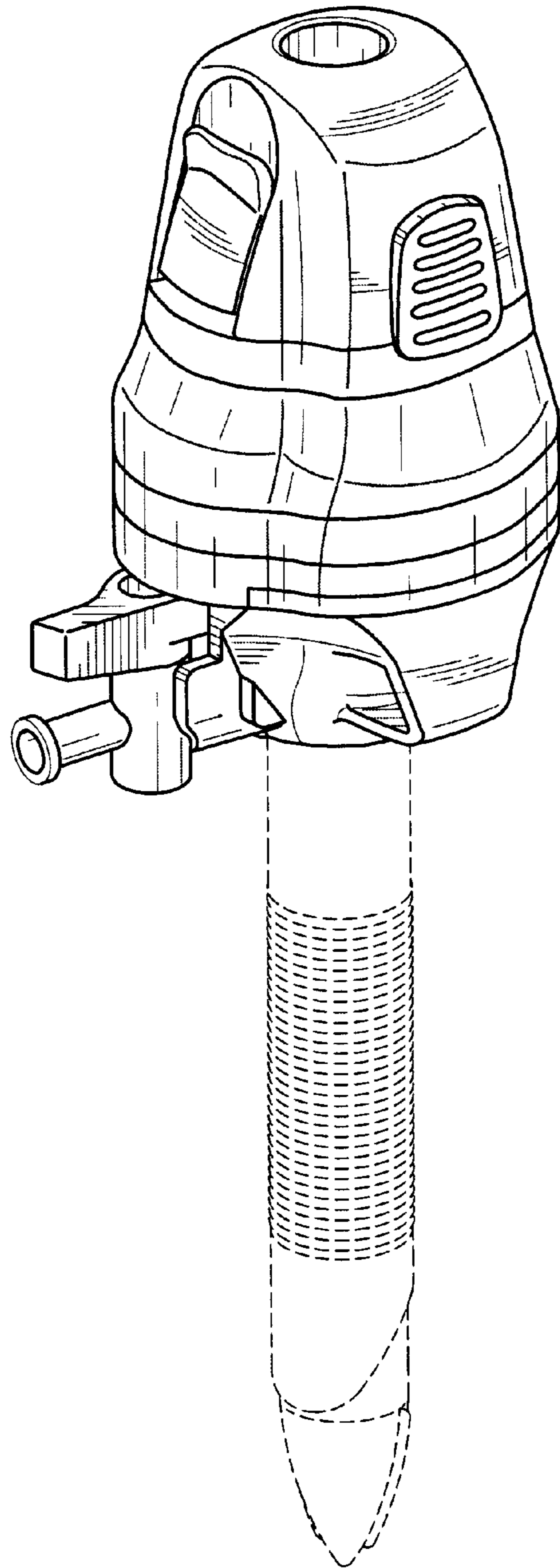


FIG. 1

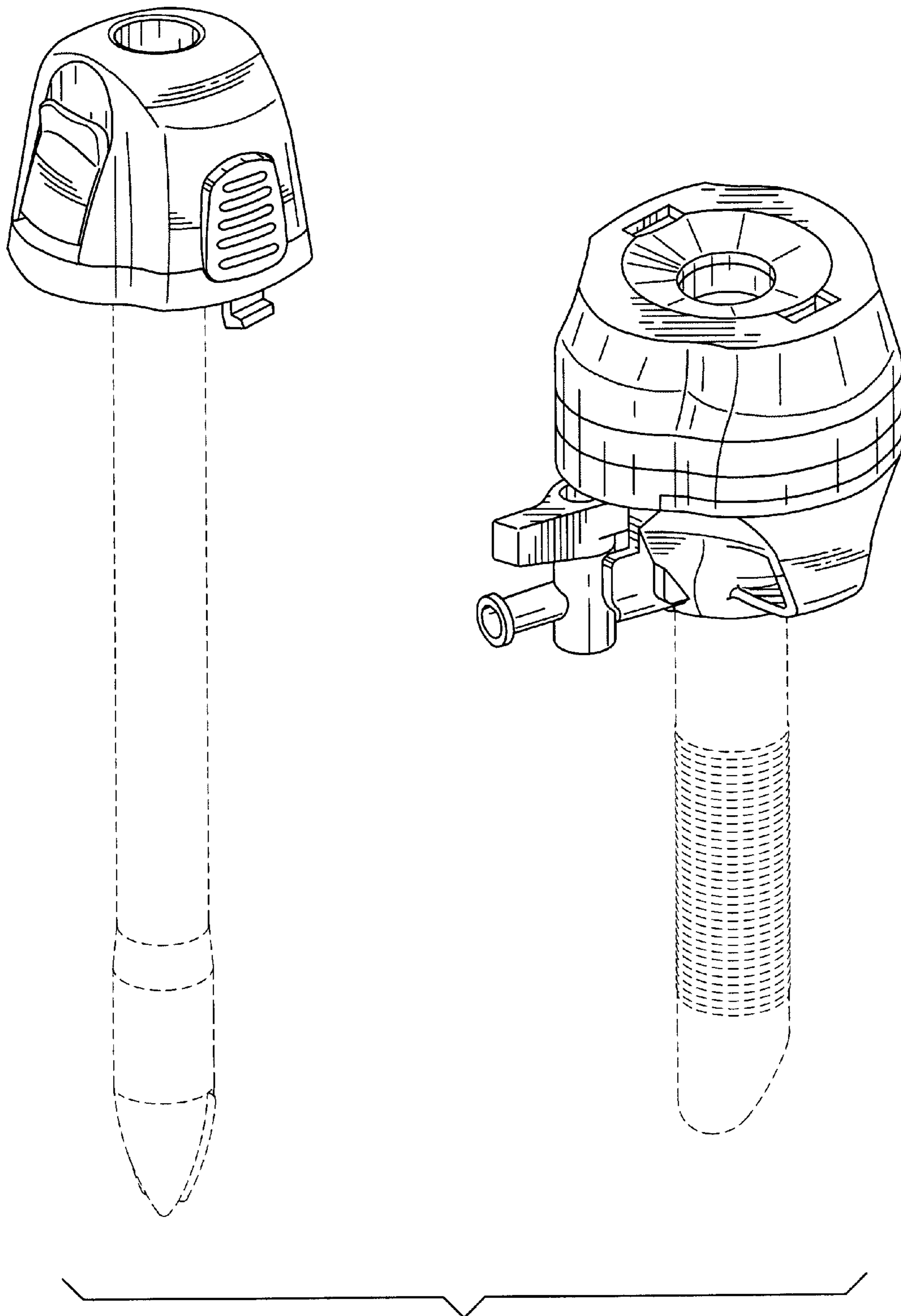


FIG. 2

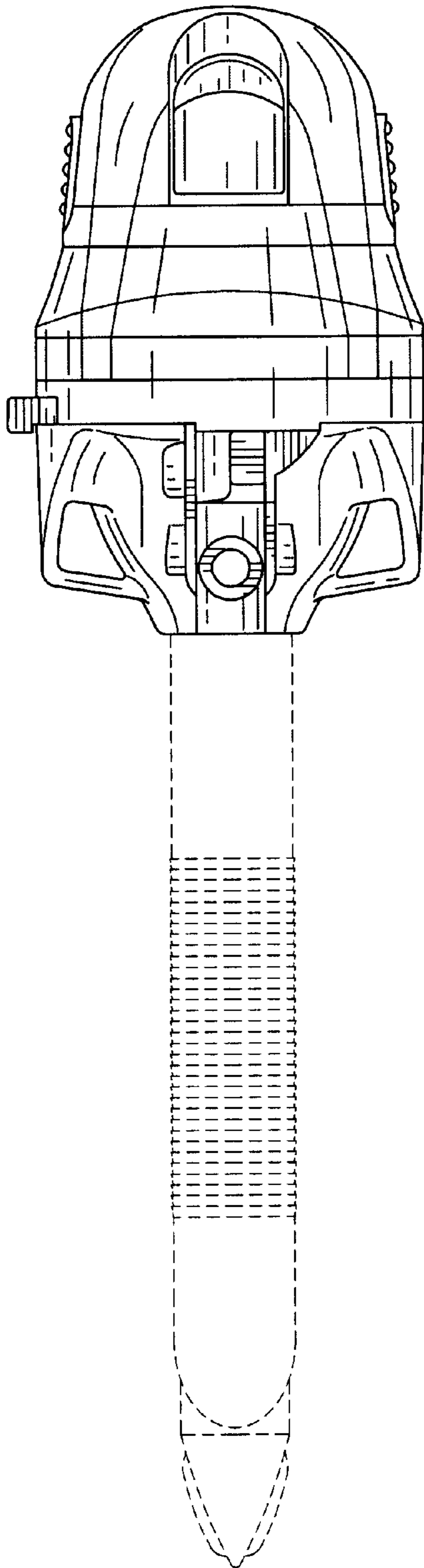


FIG. 3

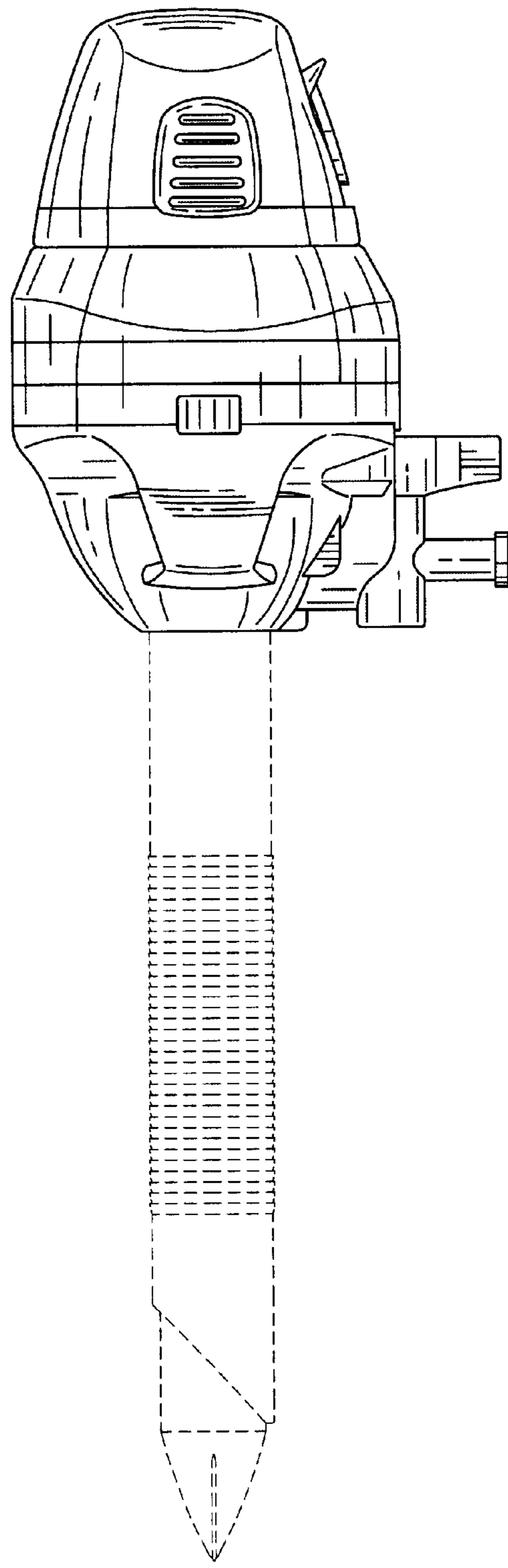


FIG. 4

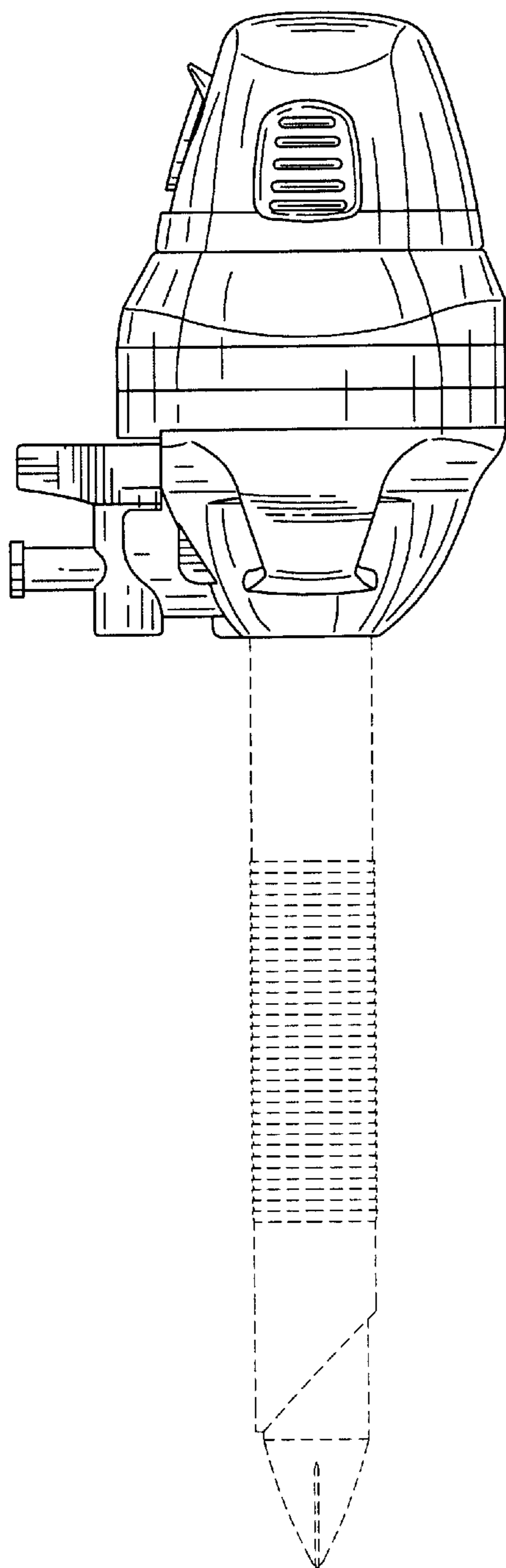


FIG. 5

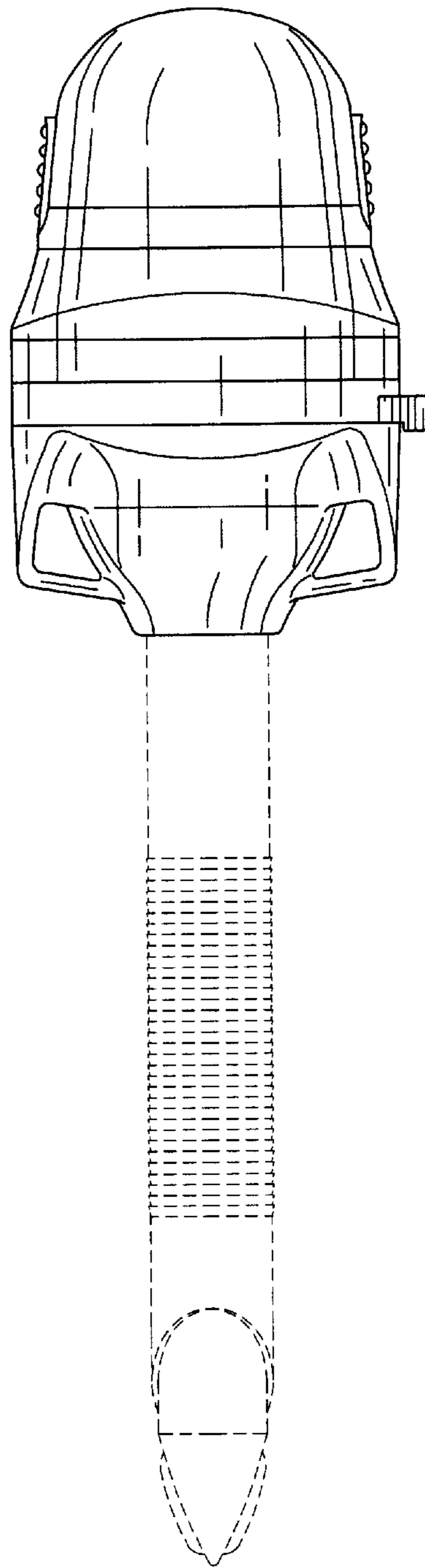


FIG. 6

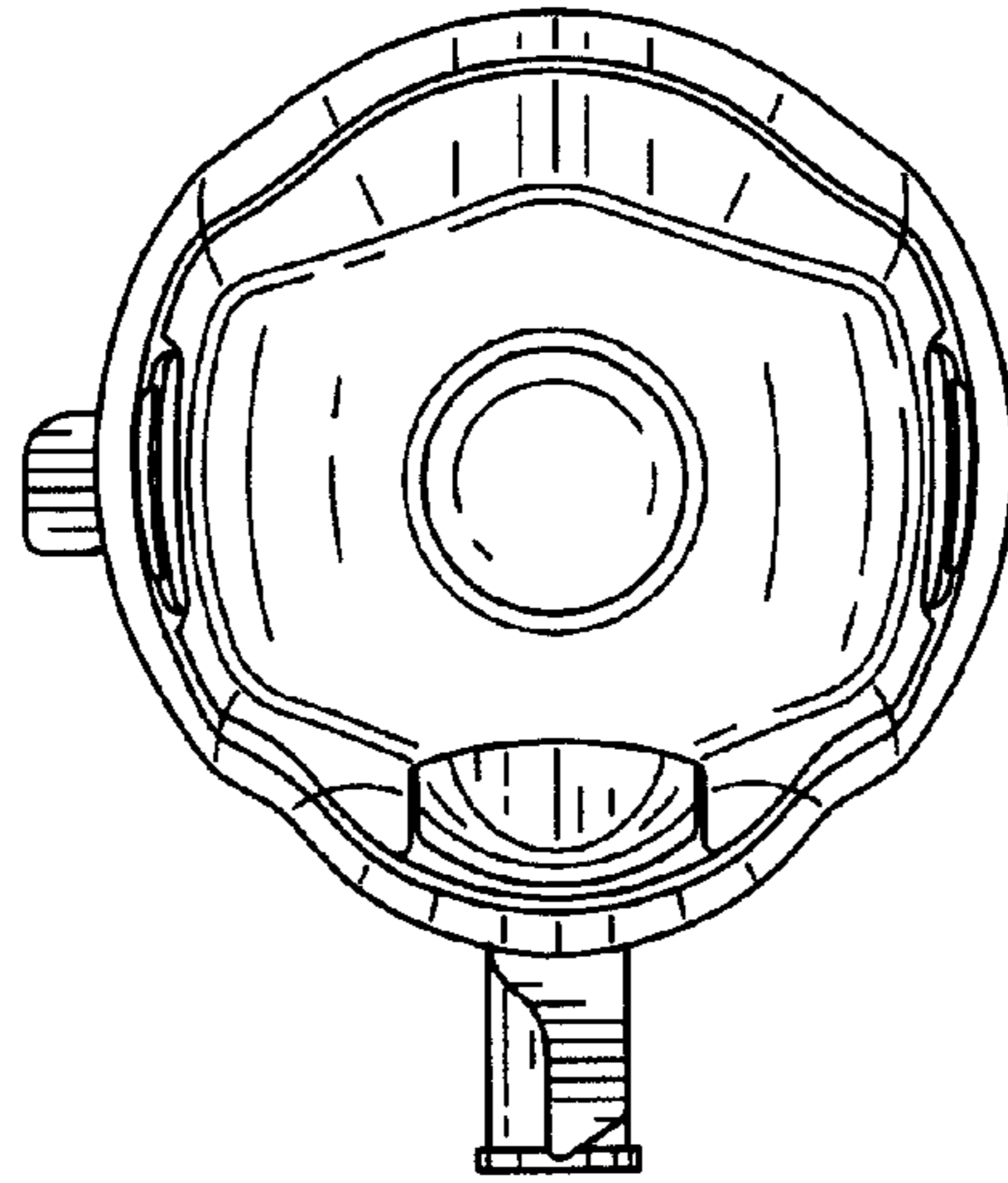


FIG. 7

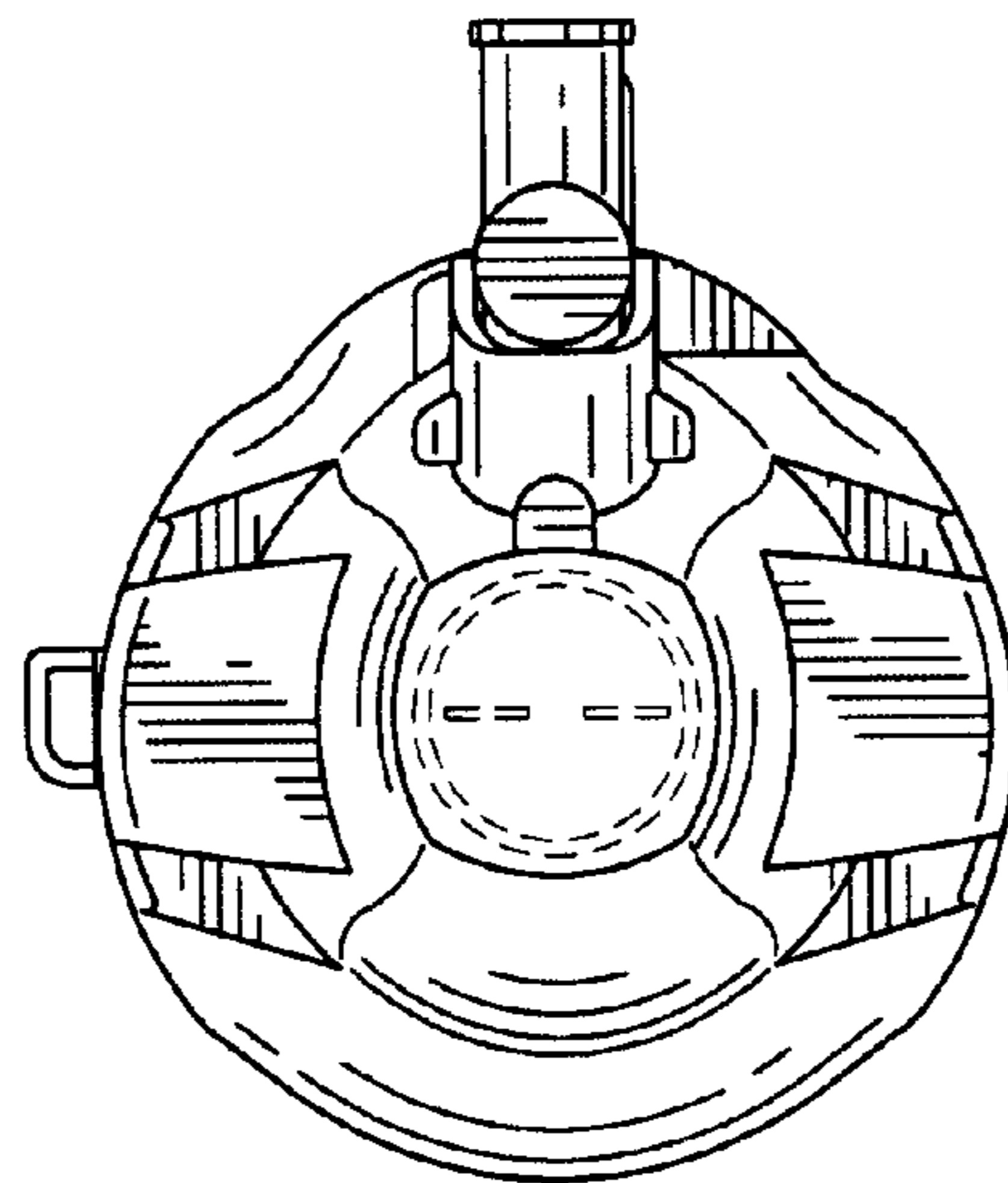


FIG. 8