



US00D542916S

(12) **United States Design Patent**
Squires

(10) **Patent No.:** **US D542,916 S**

(45) **Date of Patent:** **** May 15, 2007**

(54) **APPLICATOR**

(76) Inventor: **Meryl J. Squires**, 2 Goose Lake Dr.,
Barrington Hills, IL (US) 60010

(**) Term: **14 Years**

(21) Appl. No.: **29/260,685**

(22) Filed: **May 31, 2006**

(51) **LOC (8) Cl.** **24-02**

(52) **U.S. Cl.** **D24/119**

(58) **Field of Classification Search** D24/119,
D24/216, 108, 133, 115, 223, 112, 110, 121;
D28/7, 13; 606/13, 41, 93; 604/2, 192, 214,
604/216; 222/519, 522; 119/650, 603; 385/38
See application file for complete search history.

(56) **References Cited**

U.S. PATENT DOCUMENTS

4,183,328	A	*	1/1980	Lawrence	119/650
D266,702	S	*	10/1982	Lagny	D24/115
D306,355	S	*	2/1990	Shinohara	D28/7
D320,275	S	*	9/1991	Wada et al.	D24/119
5,046,810	A	*	9/1991	Steiner et al.	385/38
D355,729	S	*	2/1995	Grimshaw	D28/7
D377,978	S	*	2/1997	Haber et al.	D24/119
D387,425	S	*	12/1997	Niedospial et al.	D24/112
D401,323	S	*	11/1998	Ritsche	D24/110
D429,845	S	*	8/2000	Lang	D28/7
D441,073	S	*	4/2001	Mark	D24/119

D470,240	S	*	2/2003	Niedbala et al.	D24/216
D479,326	S	*	9/2003	Pollock et al.	D24/121

* cited by examiner

Primary Examiner—Louis Zarfaz

Assistant Examiner—David Muller

(74) *Attorney, Agent, or Firm*—Welsh & Katz, Ltd.;
Thomas W. Tolpin

(57) **CLAIM**

The ornamental design for an applicator, as shown and described.

DESCRIPTION

The Applicator is used to insert and/or apply medicine or other material into people, animals, birds, and/or fish.

FIG. 1 is a perspective view of an applicator showing my new design;

FIG. 2 is a front view thereof;

FIG. 3 is a right side view thereof;

FIG. 4 is a back (rear) view thereof;

FIG. 5 is a left side view thereof;

FIG. 6 is a top plan view thereof; and,

FIG. 7 is a bottom view thereof.

Although an embodiment of the design has been shown and described, it is to be understood that various modifications and rearrangements can be made by those skilled in the art without departing from the novel spirit and scope of this invention.

1 Claim, 2 Drawing Sheets

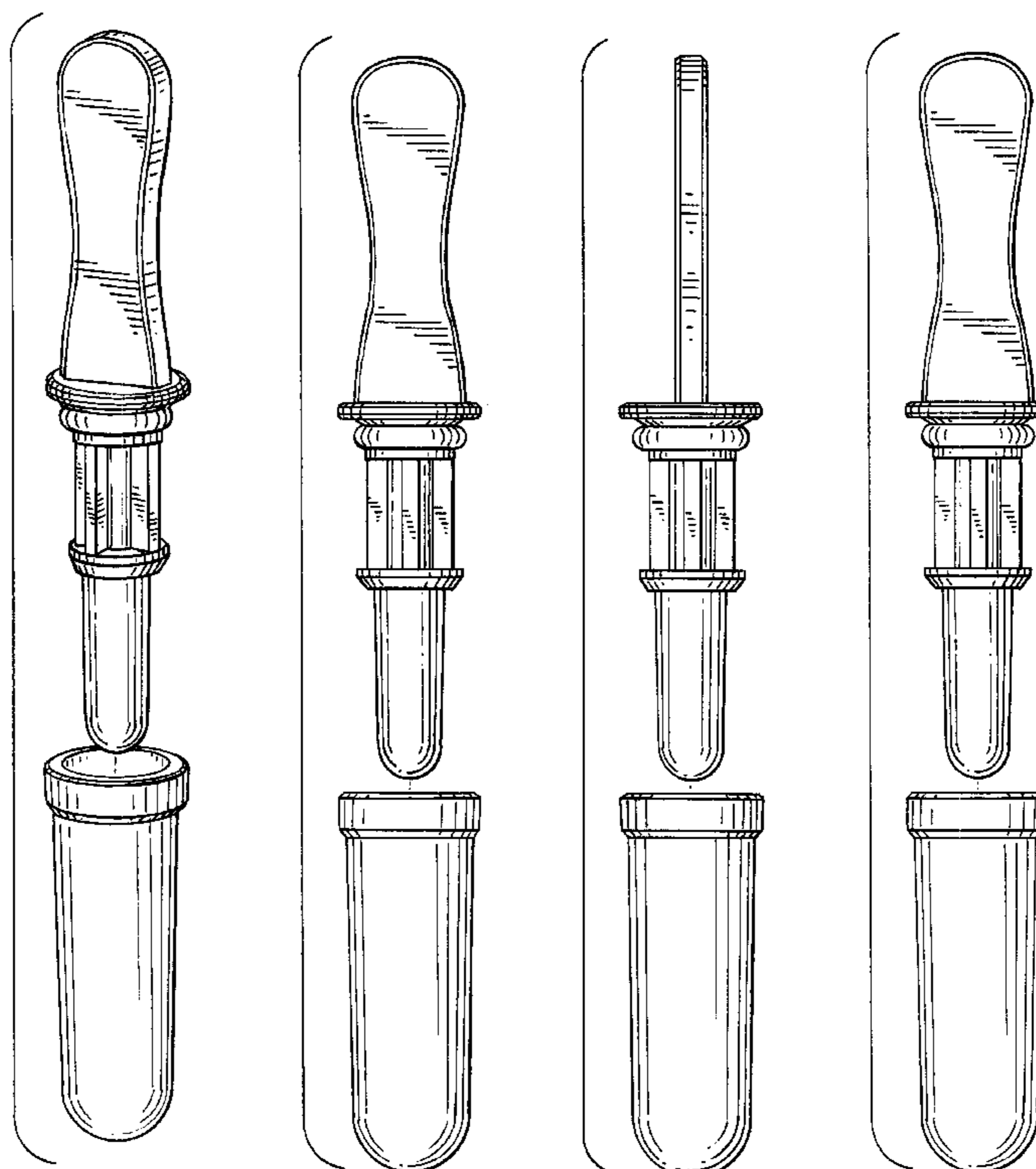


FIG. 1

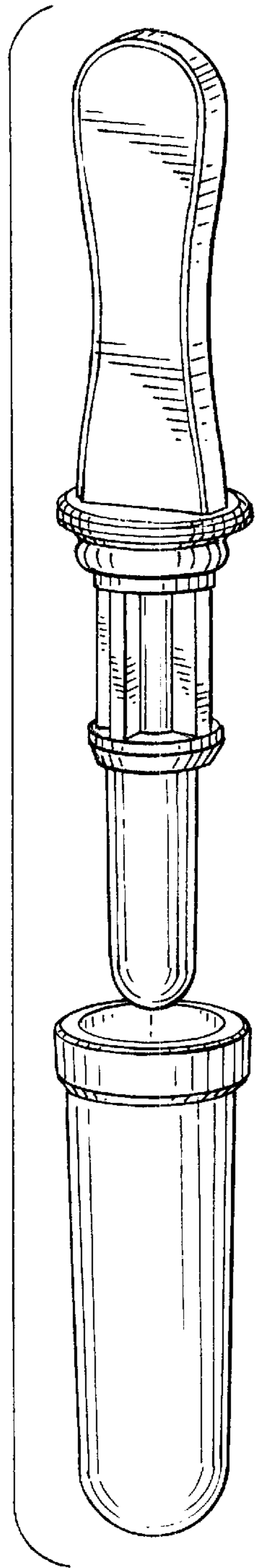


FIG. 2

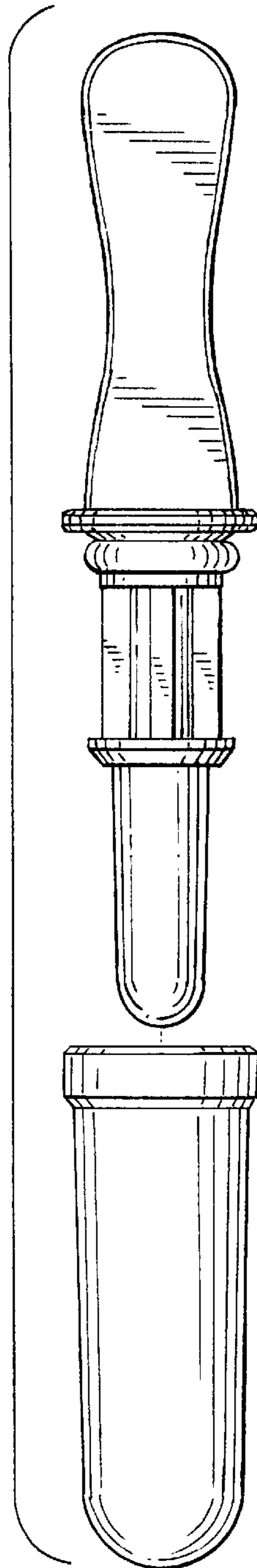


FIG. 3

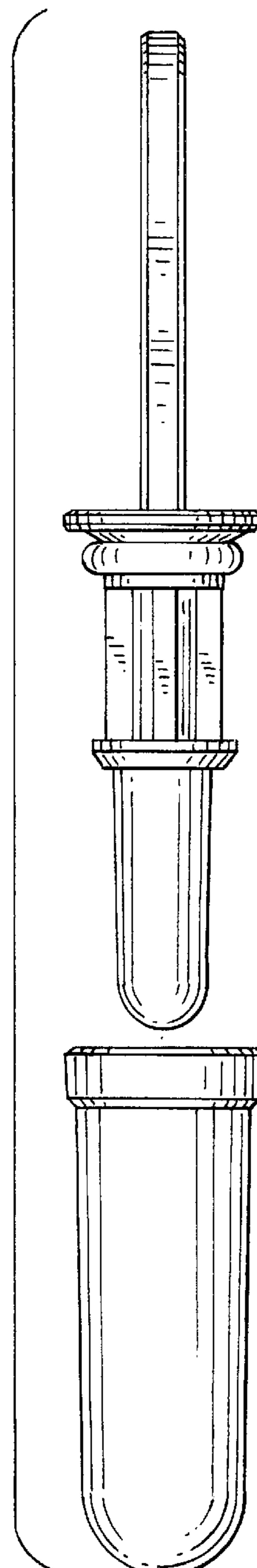


FIG. 4

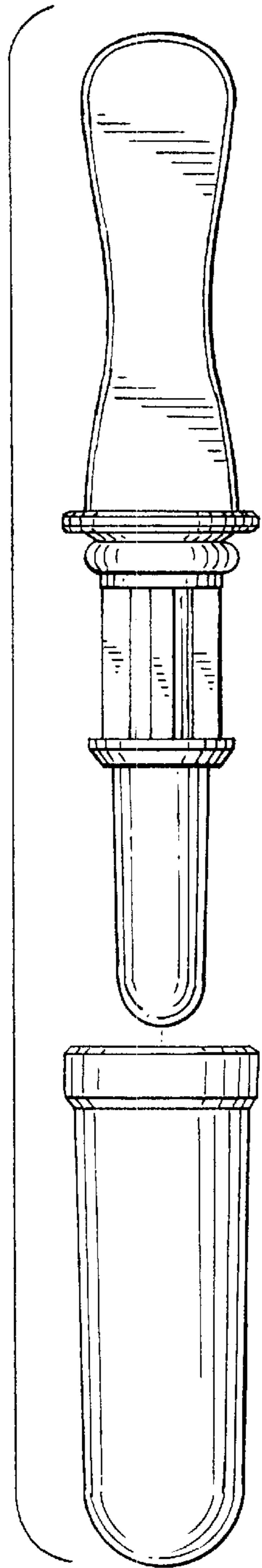


FIG. 5

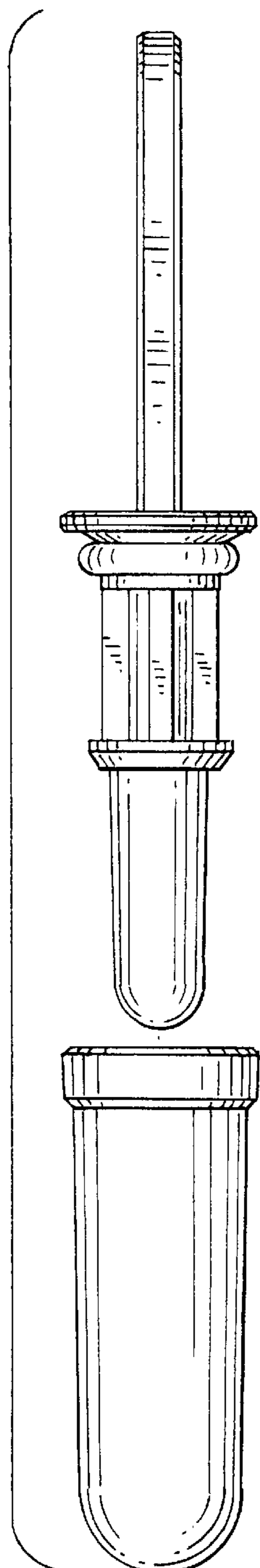


FIG. 6

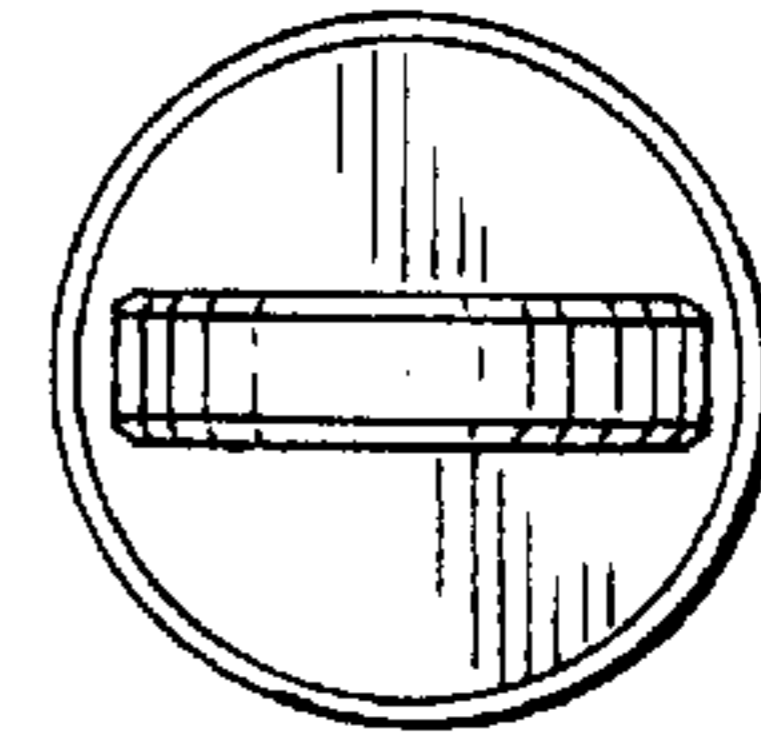


FIG. 7

