



US00D542914S

(12) **United States Design Patent**  
**Tanghoj**

(10) **Patent No.:** **US D542,914 S**

(45) **Date of Patent:** **\*\* May 15, 2007**

(54) **CATHETER DEVICE**

(75) Inventor: **Allan Tanghoj**, Kokkedal (DK)

(73) Assignee: **Coloplast A/S**, Humlebaek (DK)

(\*\*) Term: **14 Years**

(21) Appl. No.: **29/216,561**

(22) Filed: **Nov. 5, 2004**

(51) **LOC (8) Cl.** ..... **24-02**

(52) **U.S. Cl.** ..... **D24/112**

(58) **Field of Classification Search** ..... D24/112,  
D24/130; 206/438, 364; 604/187, 519, 15,  
604/38, 210, 73, 214, 218, 228, 220

See application file for complete search history.

(56) **References Cited**

**U.S. PATENT DOCUMENTS**

|           |   |   |         |                |       |         |
|-----------|---|---|---------|----------------|-------|---------|
| 5,497,601 | A | * | 3/1996  | Gonzalez       | ..... | 206/364 |
| 5,895,374 | A | * | 4/1999  | Rødsten        | ..... | 206/364 |
| 6,155,420 | A | * | 12/2000 | Phillips       | ..... | 206/364 |
| D447,231  | S | * | 8/2001  | Chen Fu et al. | ..... | D24/121 |
| D488,864  | S | * | 4/2004  | Fago et al.    | ..... | D24/121 |

**FOREIGN PATENT DOCUMENTS**

WO WO 03/002179 1/2003

**OTHER PUBLICATIONS**

SpeediCath Compact brochure—2004 Coloplast Ltd Peterborough Gambs PE2 6FX.\*

6 black and white photographs of invention—undated, submitted by applicant.\*

\* cited by examiner

*Primary Examiner*—Louis Zarfes

*Assistant Examiner*—David Muller

(74) *Attorney, Agent, or Firm*—Jacobson Holman PLLC

(57) **CLAIM**

The ornamental design for a catheter device, as shown and described.

**DESCRIPTION**

FIG. 1 is a bottom perspective showing my new design for a catheter device,

FIG. 2 is a top perspective view thereof;

FIG. 3 is a front view thereof;

FIG. 4 is a rear view thereof;

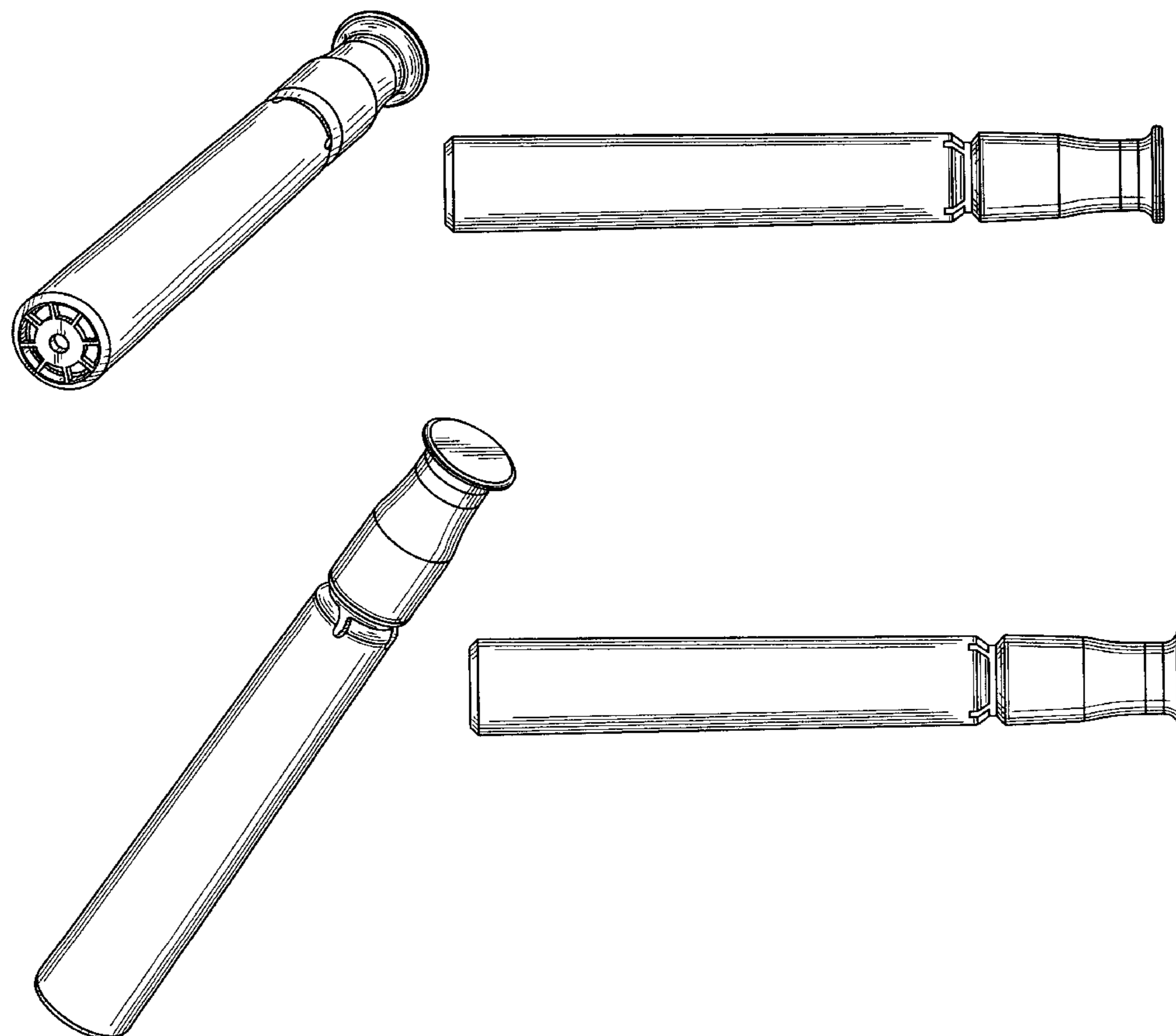
FIG. 5 is a left side view thereof;

FIG. 6 is a right side view thereof;

FIG. 7 is a top view thereof; and,

FIG. 8 is a bottom view thereof.

**1 Claim, 3 Drawing Sheets**



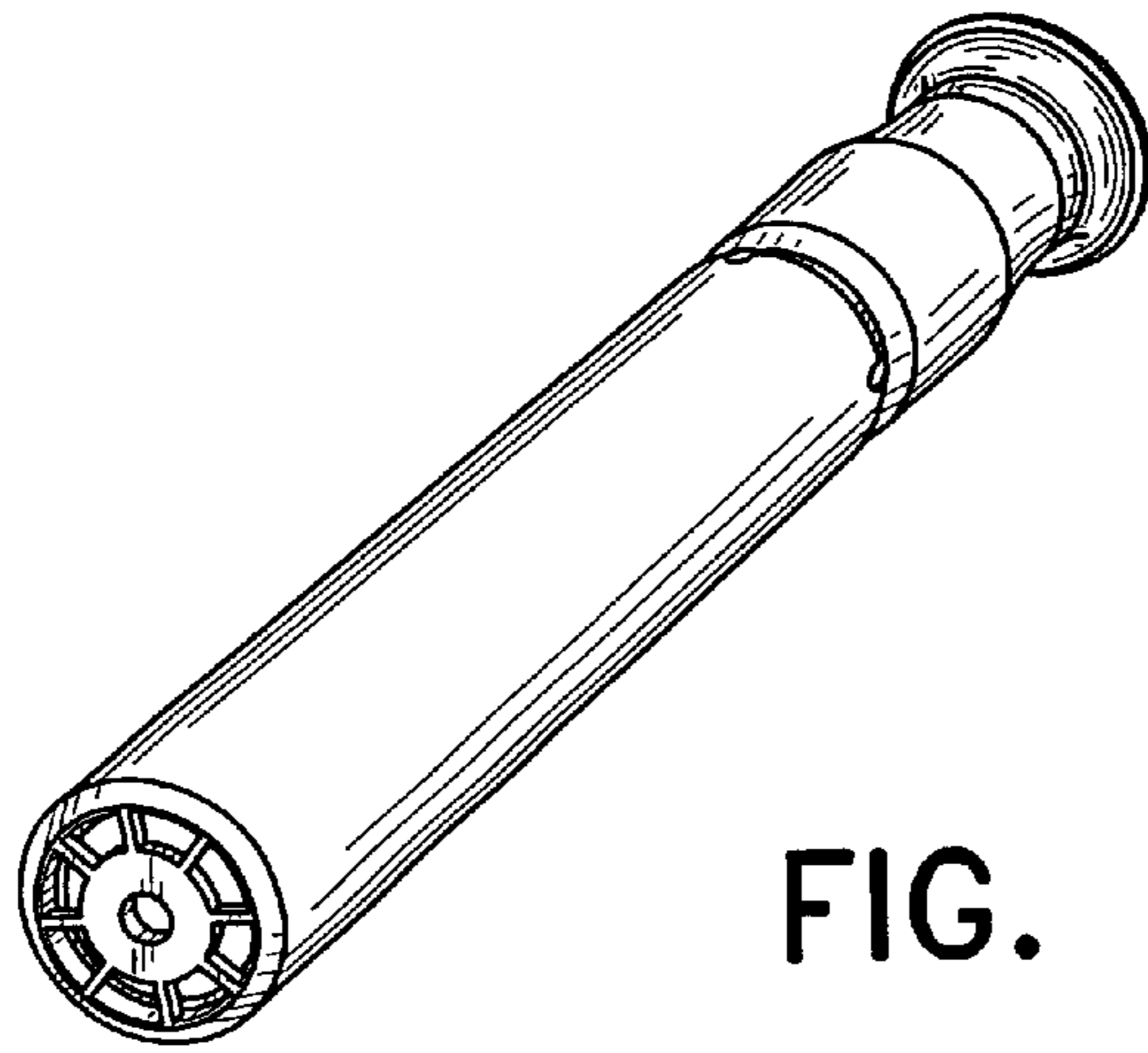


FIG. 1

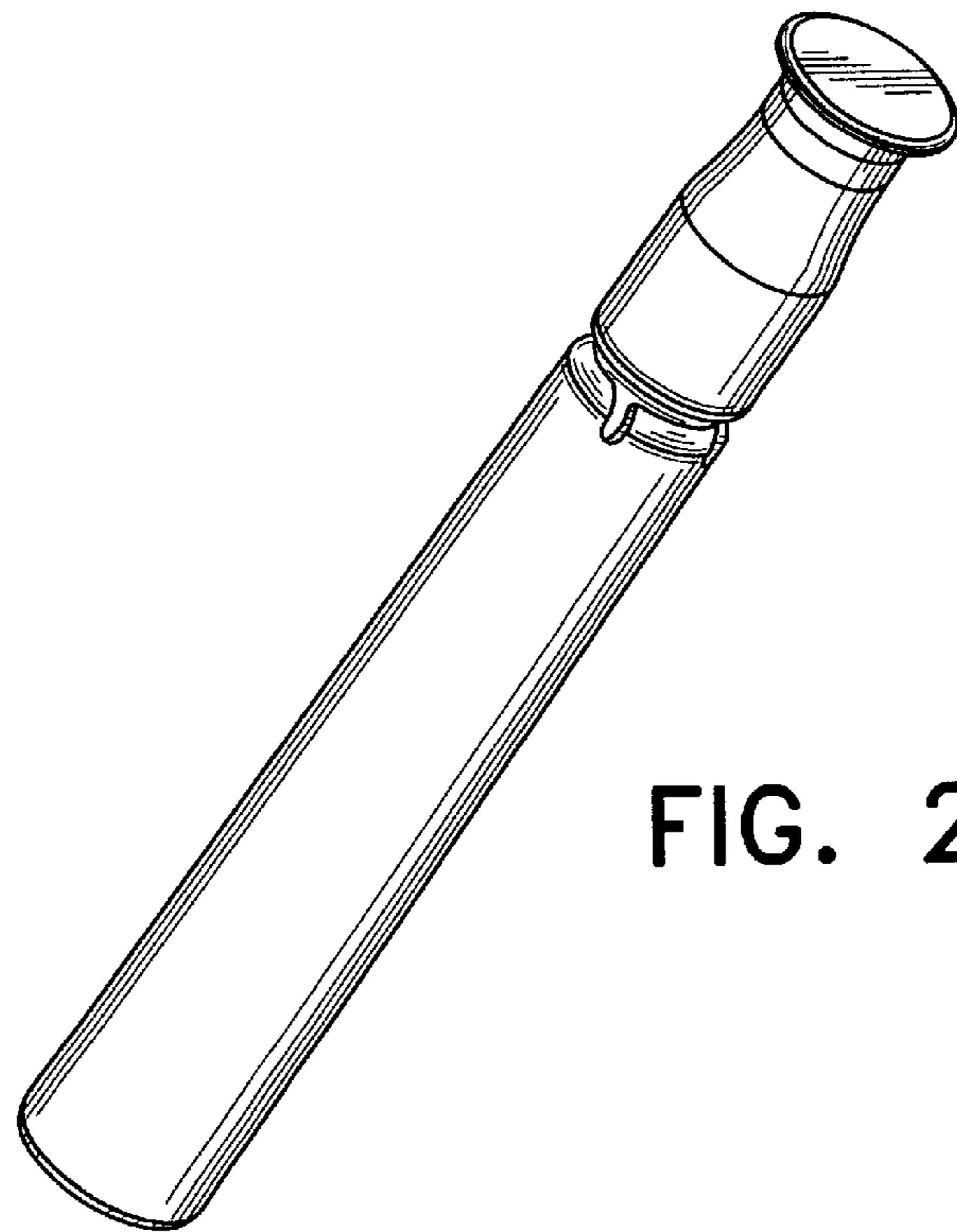


FIG. 2

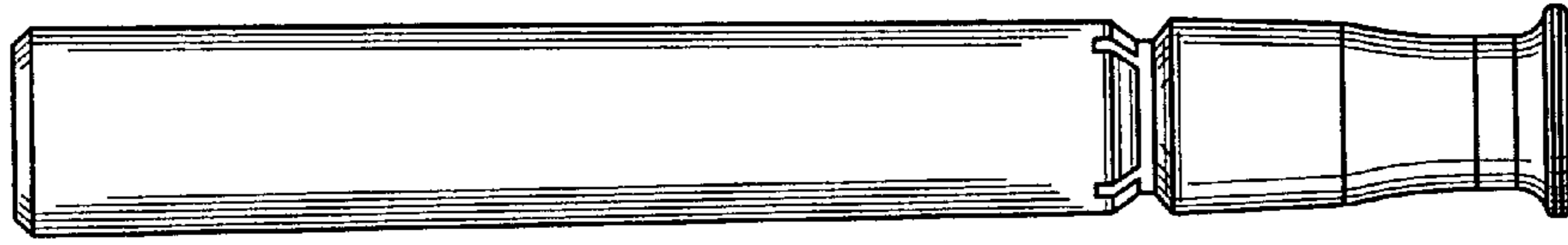


FIG. 3

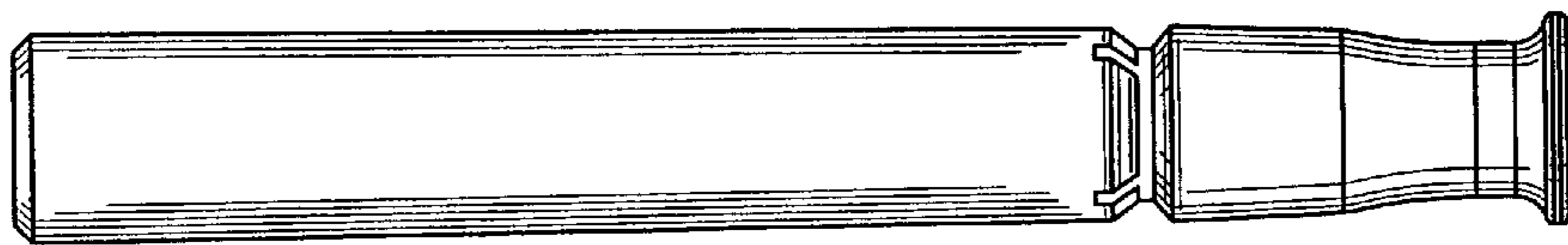


FIG. 4

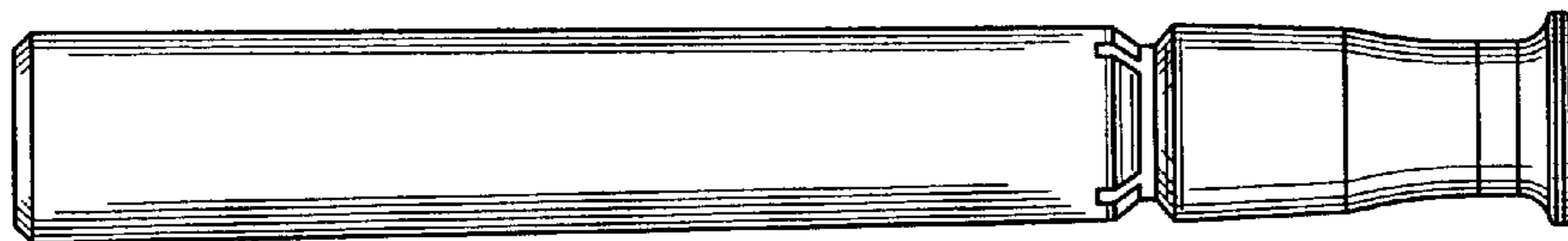


FIG. 5

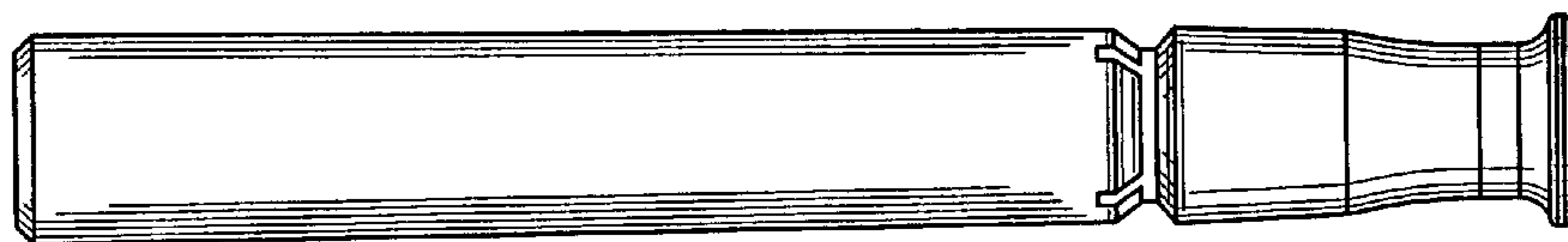


FIG. 6

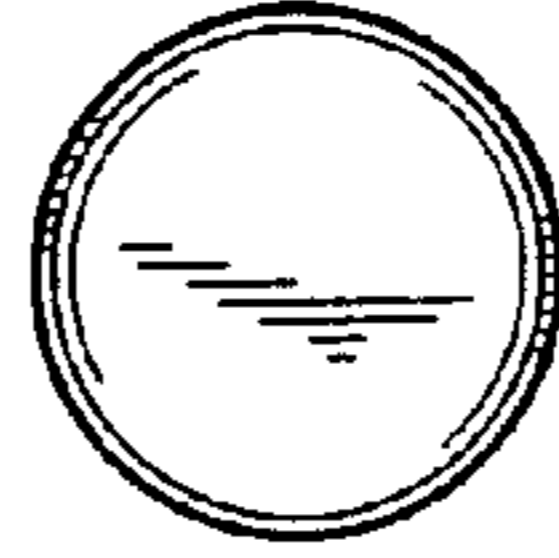


FIG. 7

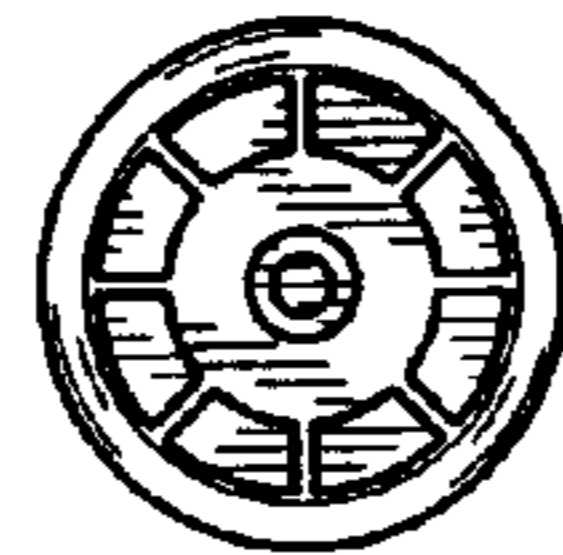


FIG. 8