

US00D542913S

(12) **United States Design Patent**
Aspinall et al.

(10) **Patent No.:** **US D542,913 S**

(45) **Date of Patent:** **** May 15, 2007**

(54) **MOUTHPIECE**

(75) Inventors: **Jason Aspinall**, Vale of Glamorgan (GB); **Geraint Wynn Roberts**, Vale of Glamorgan (GB); **Anthony Lewis**, Vale of Glamorgan (GB)

(73) Assignee: **Lion Laboratories Limited**, Vale of Glamorgan (GB)

(**) Term: **14 Years**

(21) Appl. No.: **29/238,628**

(22) Filed: **Sep. 19, 2005**

(30) **Foreign Application Priority Data**

Jun. 2, 2005 (EM) 000349345-0001

(51) **LOC (8) Cl.** **29-02**

(52) **U.S. Cl.** **D24/110.5; D24/110**

(58) **Field of Classification Search** D24/110, D24/110.5, 110.6, 164; 128/205.24, 204.18; 73/23.2, 1.03, 1.06; 422/84; 436/132, 900
See application file for complete search history.

(56) **References Cited**

U.S. PATENT DOCUMENTS

D266,695 S * 10/1982 Trammll et al. D24/110

D331,281 S * 11/1992 Levine D24/110
D335,343 S * 5/1993 Jones et al. D24/110
5,929,319 A * 7/1999 King et al. 73/23.3

* cited by examiner

Primary Examiner—Ian Simmons

Assistant Examiner—Christopher Lee

(74) *Attorney, Agent, or Firm*—King & Schickli, PLLC

(57) **CLAIM**

The ornamental design of a mouthpiece, as shown and described.

DESCRIPTION

FIG. 1 is a perspective view of the mouthpiece of the present invention;

FIG. 2 is a front elevational view thereof;

FIG. 3 is a rear elevational view thereof;

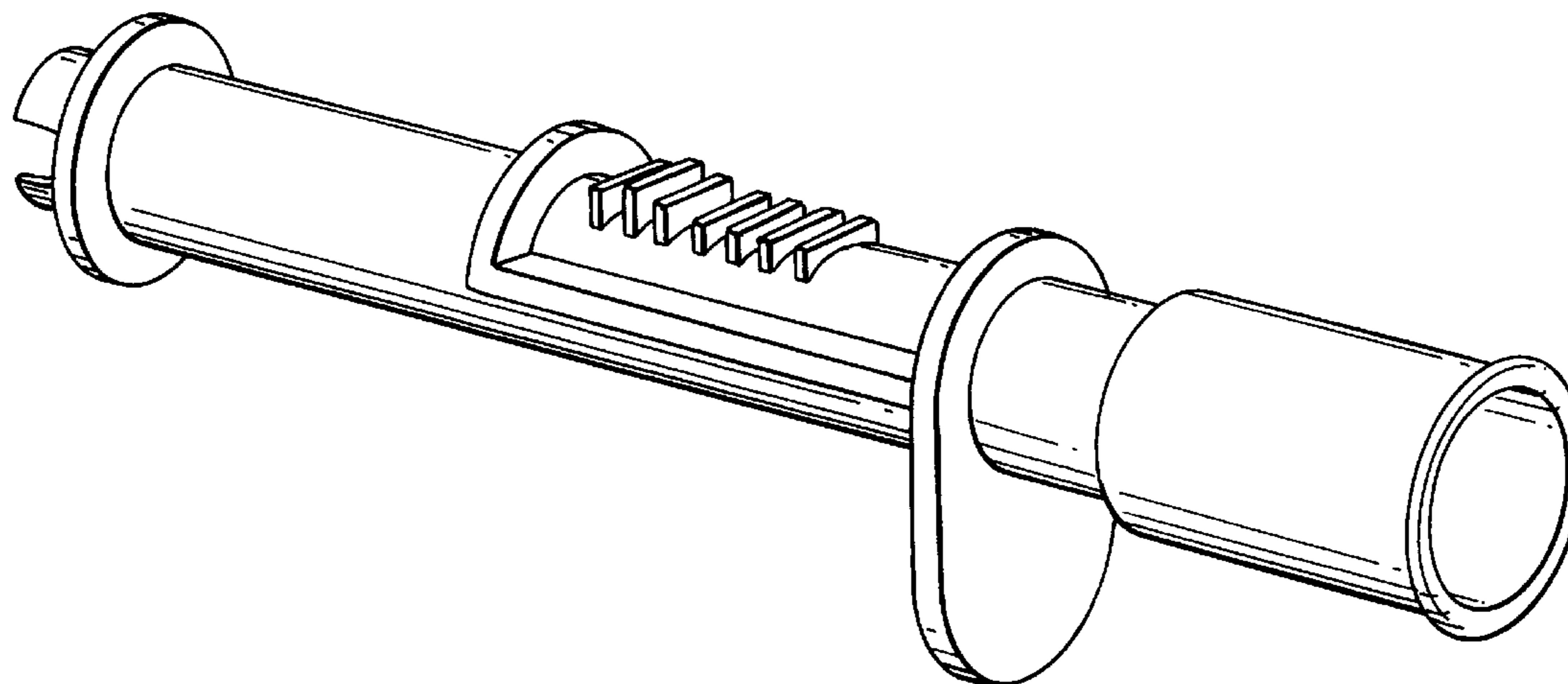
FIG. 4 is a right side elevational view thereof;

FIG. 5 is a left side elevational view thereof.

FIG. 6 is a top plan view thereof; and,

FIG. 7 is a bottom plan view thereof.

1 Claim, 3 Drawing Sheets



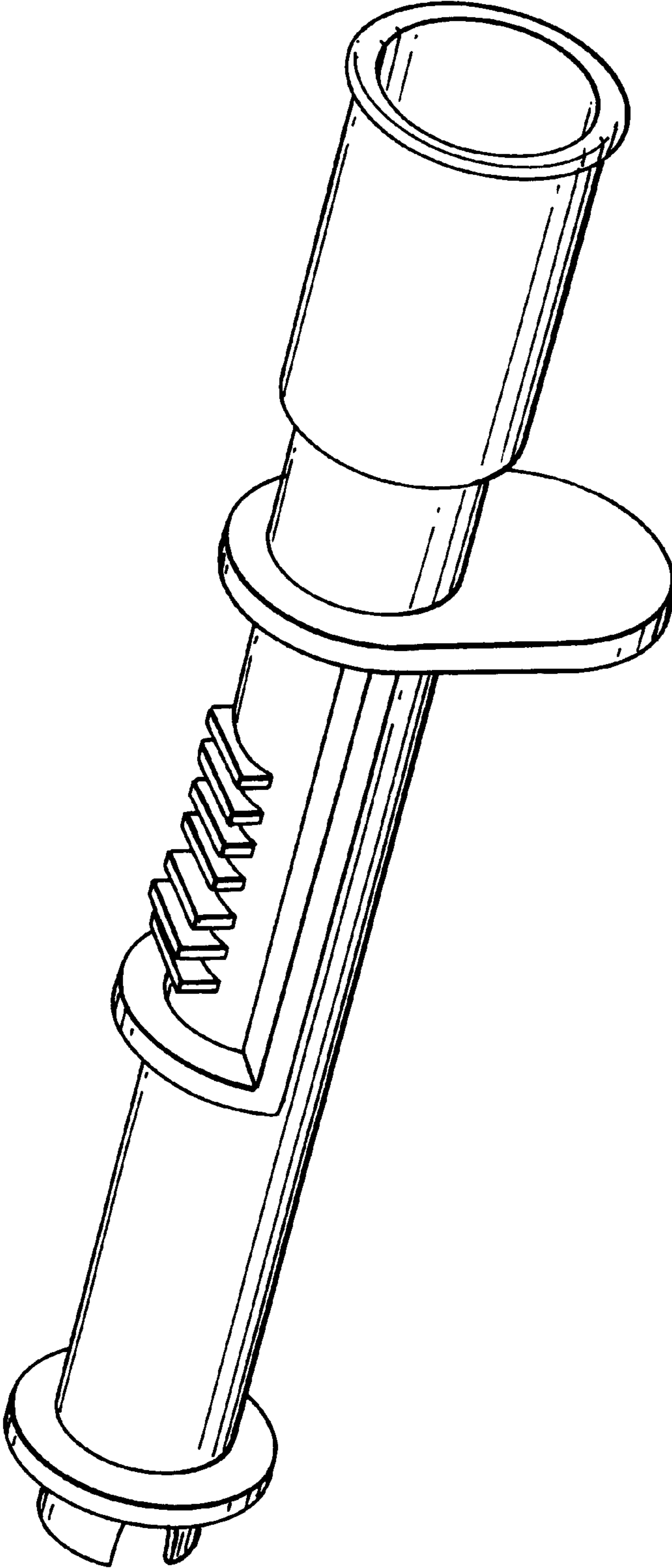


Fig. 1

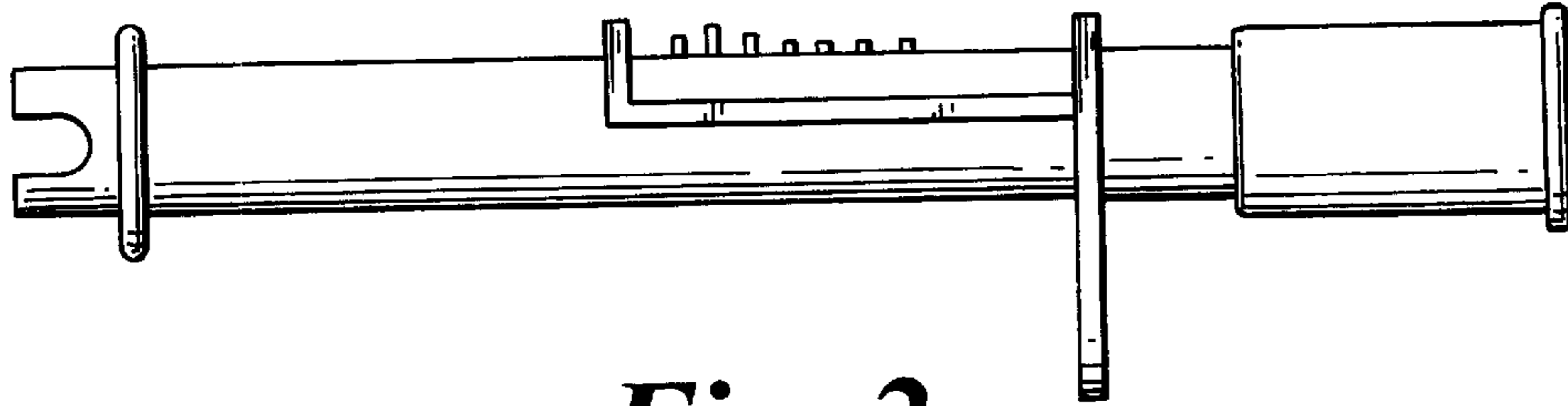


Fig. 2

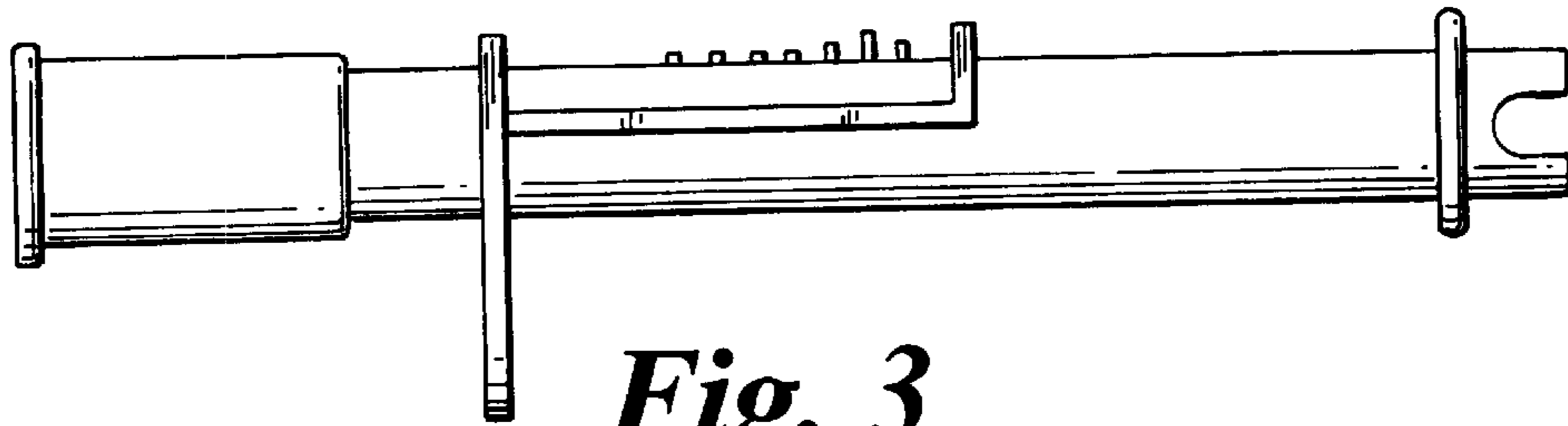


Fig. 3

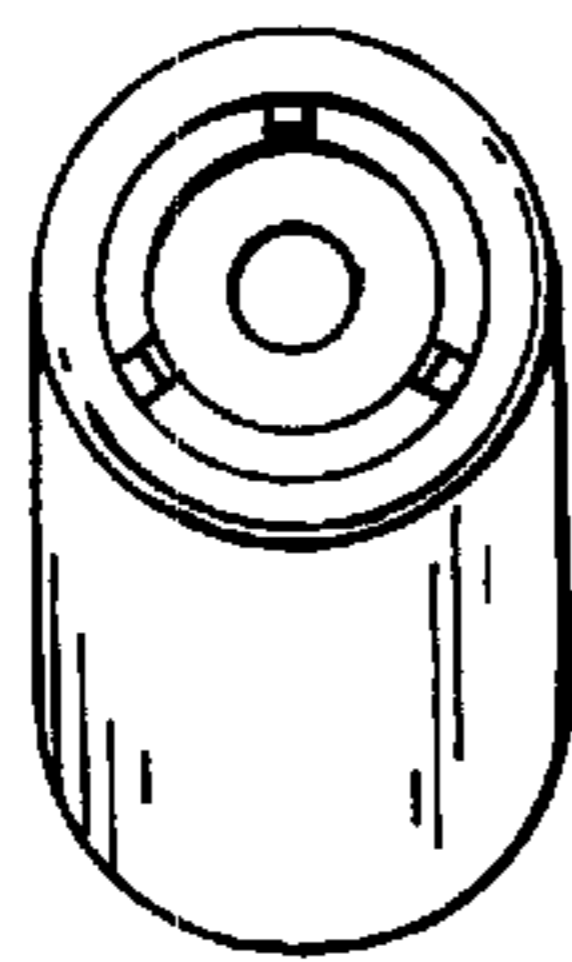


Fig. 4

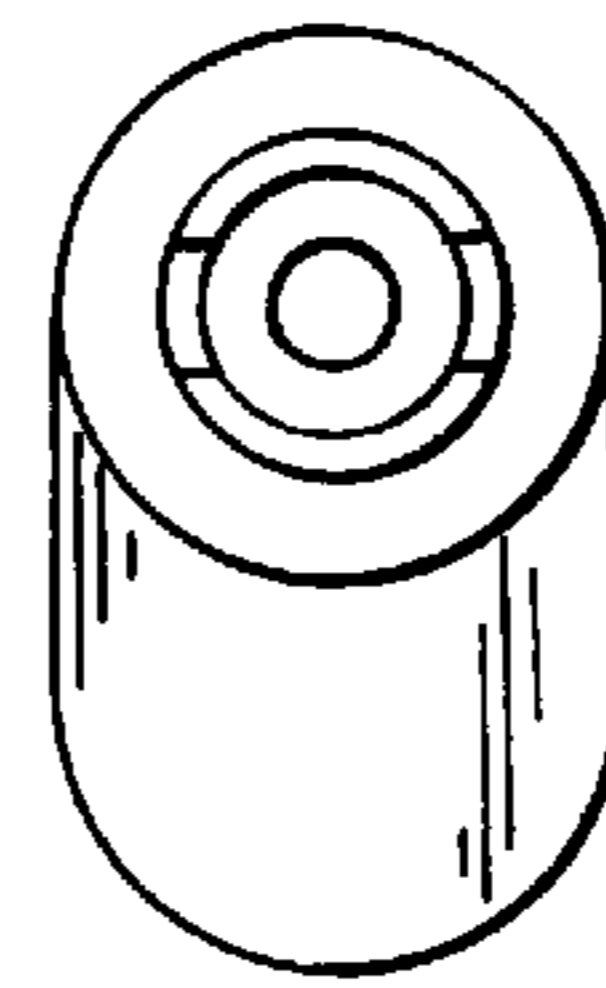


Fig. 5

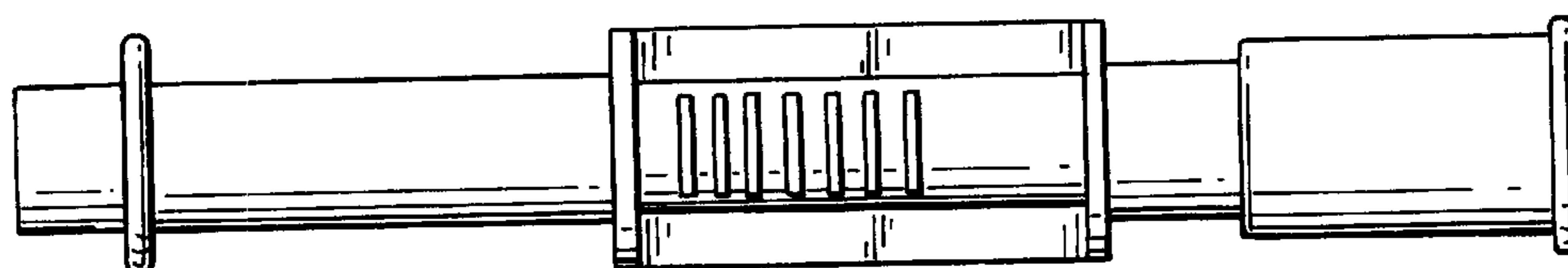


Fig. 6

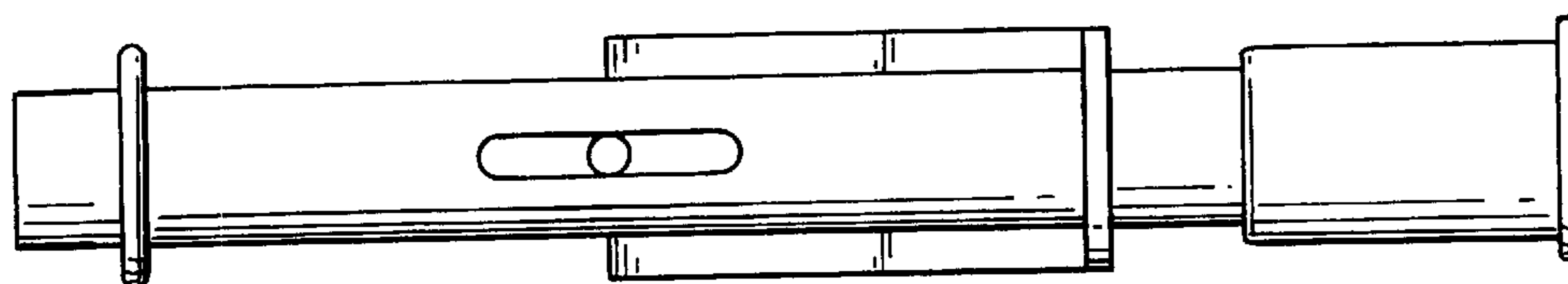


Fig. 7