

US00D542911S

(12) **United States Design Patent**  
**Joyce et al.**

(10) **Patent No.:** **US D542,911 S**

(45) **Date of Patent:** **\*\* May 15, 2007**

(54) **FLUID CONTROL MODULE**

D476,730 S \* 7/2003 O'Mahony et al. .... D24/108

(75) Inventors: **Thomas P. Joyce**, Wilkins Township, PA (US); **Gerald W. Callan**, Cranberry Township, PA (US); **Karen M. Zelenski**, Seven Fields, PA (US); **Michael A. Spohn**, Butler, PA (US); **Ralph H. Schriver**, Tarentum, PA (US)

\* cited by examiner

*Primary Examiner*—Ian Simmons

*Assistant Examiner*—Christopher Lee

(74) *Attorney, Agent, or Firm*—Christian E. Schuster; Gregory L. Bradley

(73) Assignee: **Medrad, Inc.**, Indianola, PA (US)

(\*\*) Term: **14 Years**

(57) **CLAIM**

The ornamental design for a fluid control module, substantially as shown and described.

(21) Appl. No.: **29/227,560**

**DESCRIPTION**

(22) Filed: **Apr. 13, 2005**

(51) **LOC (8) Cl.** ..... **24-01**

(52) **U.S. Cl.** ..... **D24/108**

(58) **Field of Classification Search** ..... D24/108, D24/111, 158, 160, 169; 600/431, 432; 604/151, 604/152, 133, 118; 128/DIG. 1, DIG. 12, 128/DIG. 13

See application file for complete search history.

FIG. 1 is a perspective view of a fluid control module showing our new design, the broken line showing of the fluid delivery apparatus is for illustrative purposes only and forms no part of the claimed design;

FIG. 2 is a perspective view of the fluid control module, the broken line shown is for illustrative purposes only and forms no part of the claimed design;

FIG. 3 is a left side view thereof;

FIG. 4 is a top view thereof;

FIG. 5 is a front view thereof;

FIG. 6 is a rear view thereof;

FIG. 7 is a right side view thereof; and,

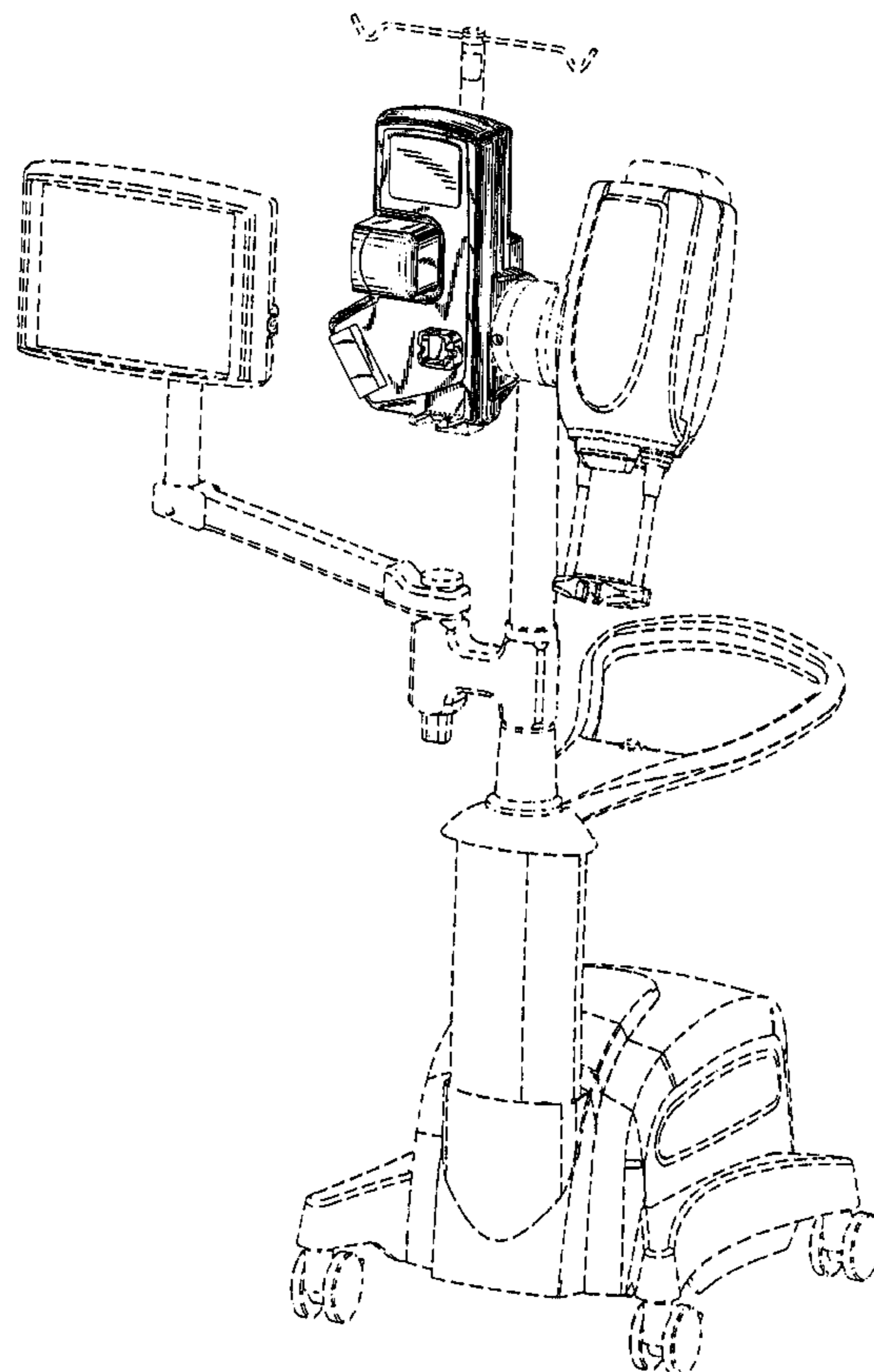
FIG. 8 is a bottom view thereof.

(56) **References Cited**

**U.S. PATENT DOCUMENTS**

3,901,231 A \* 8/1975 Olson ..... 604/152  
D392,388 S \* 3/1998 Coons et al. .... D24/160

**1 Claim, 8 Drawing Sheets**



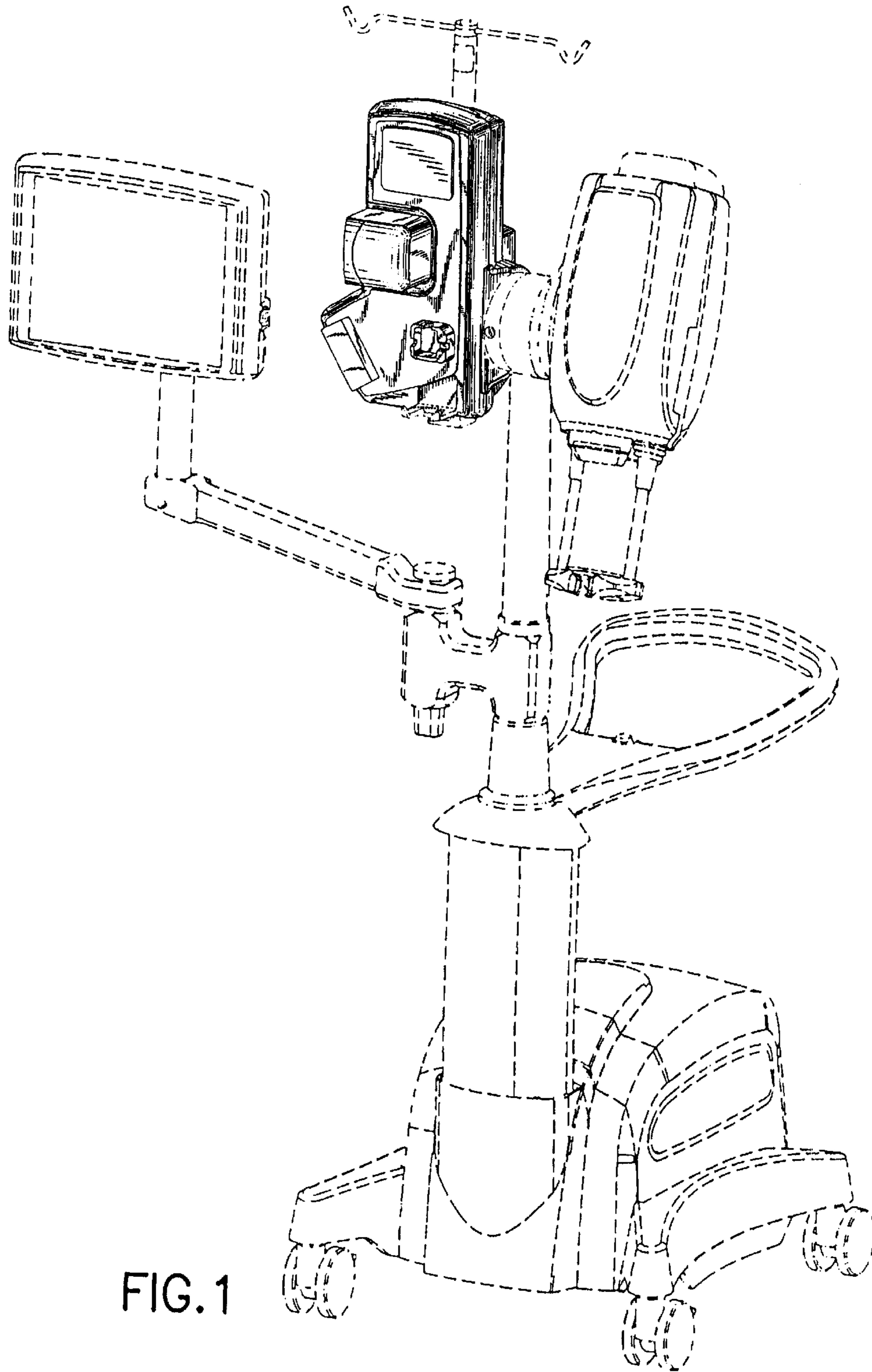


FIG. 1

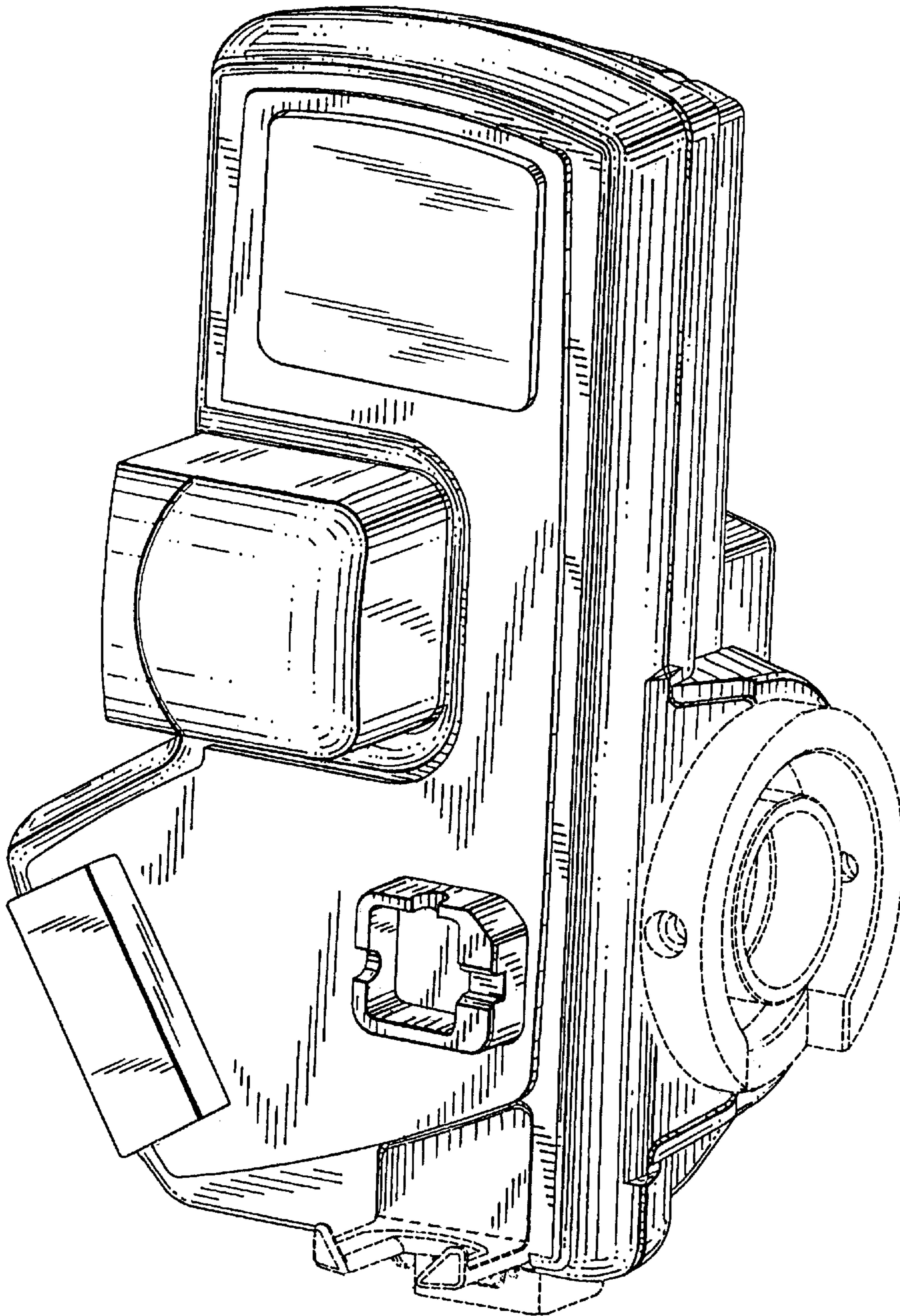


FIG.2



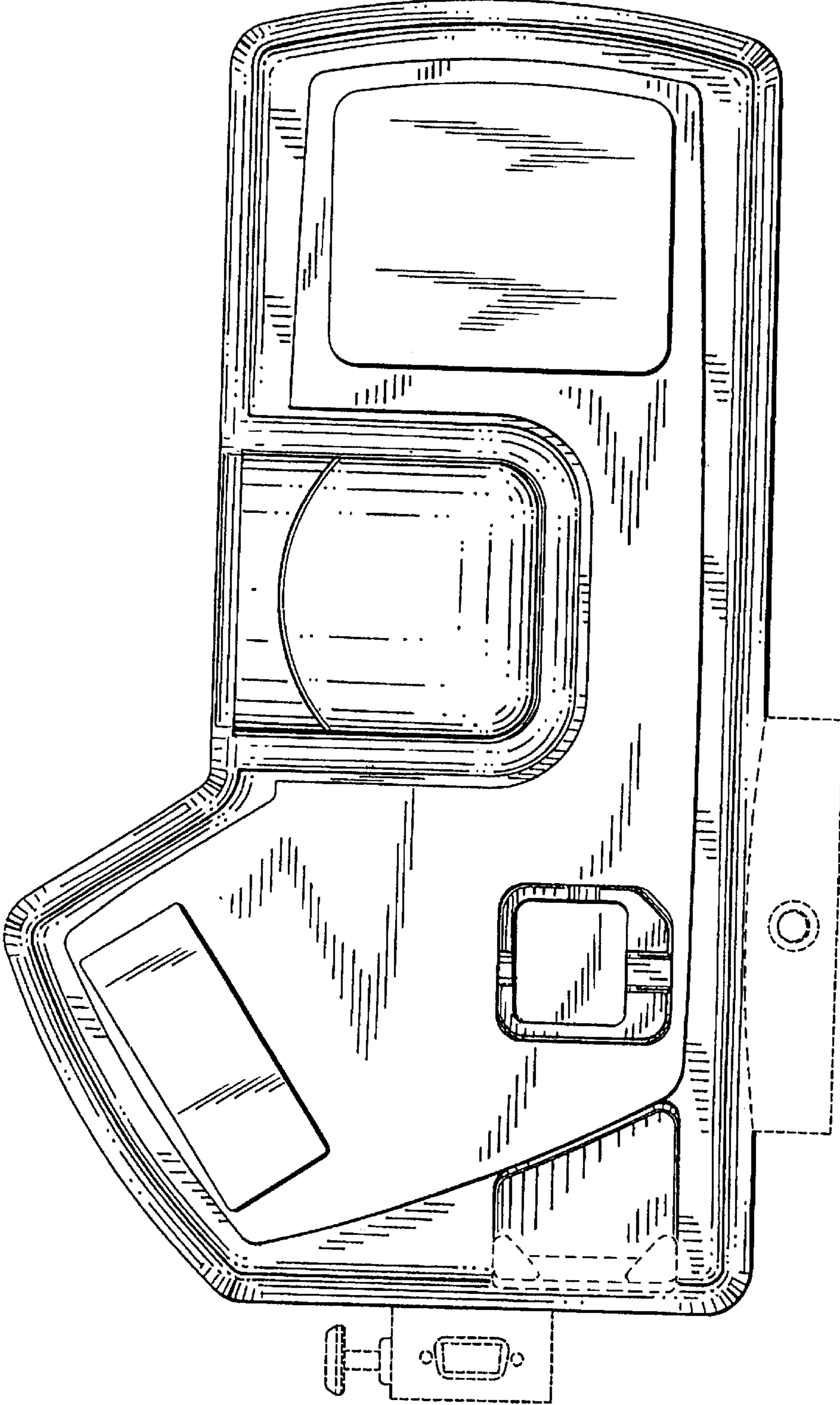


FIG.3

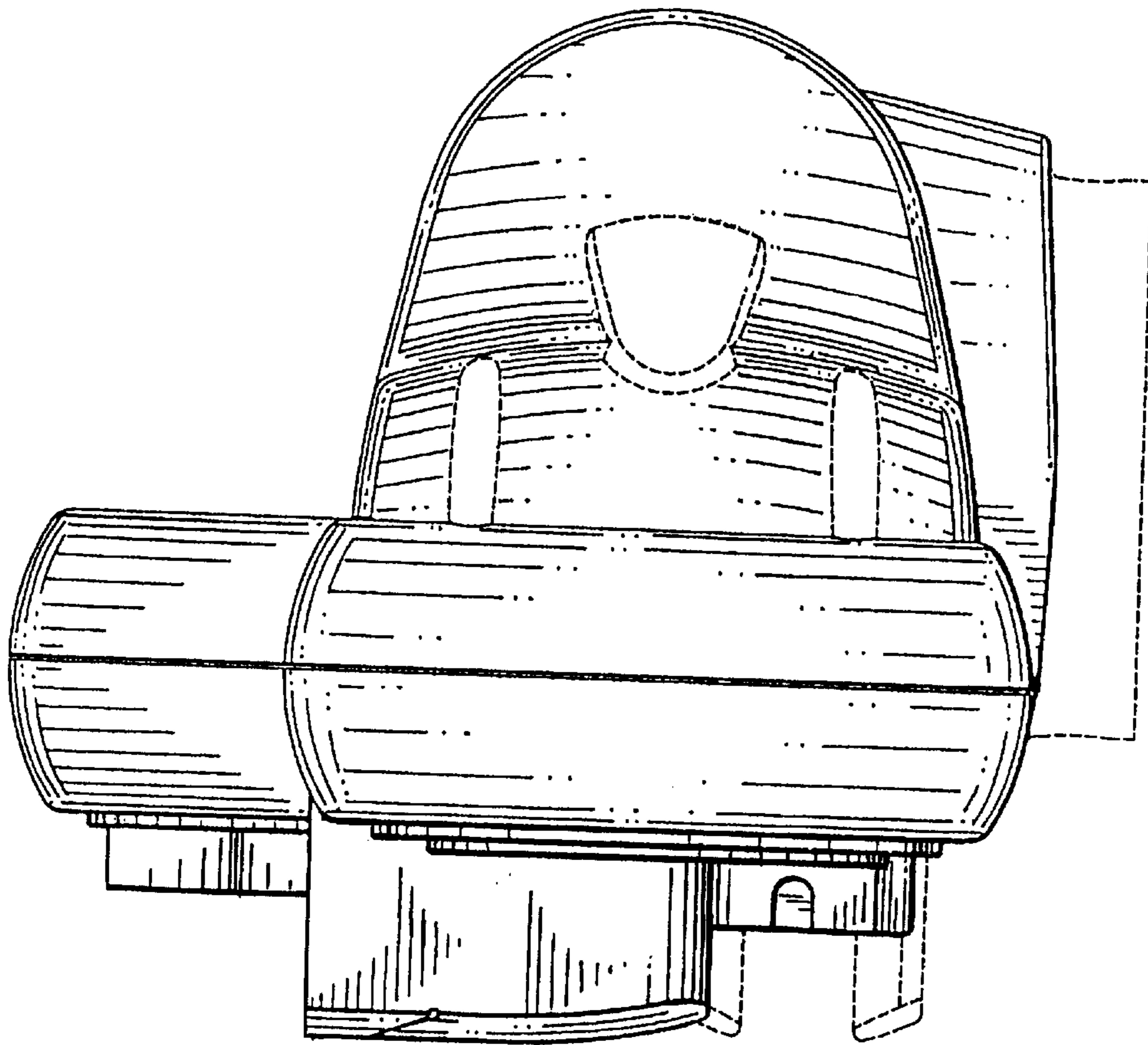


FIG. 4

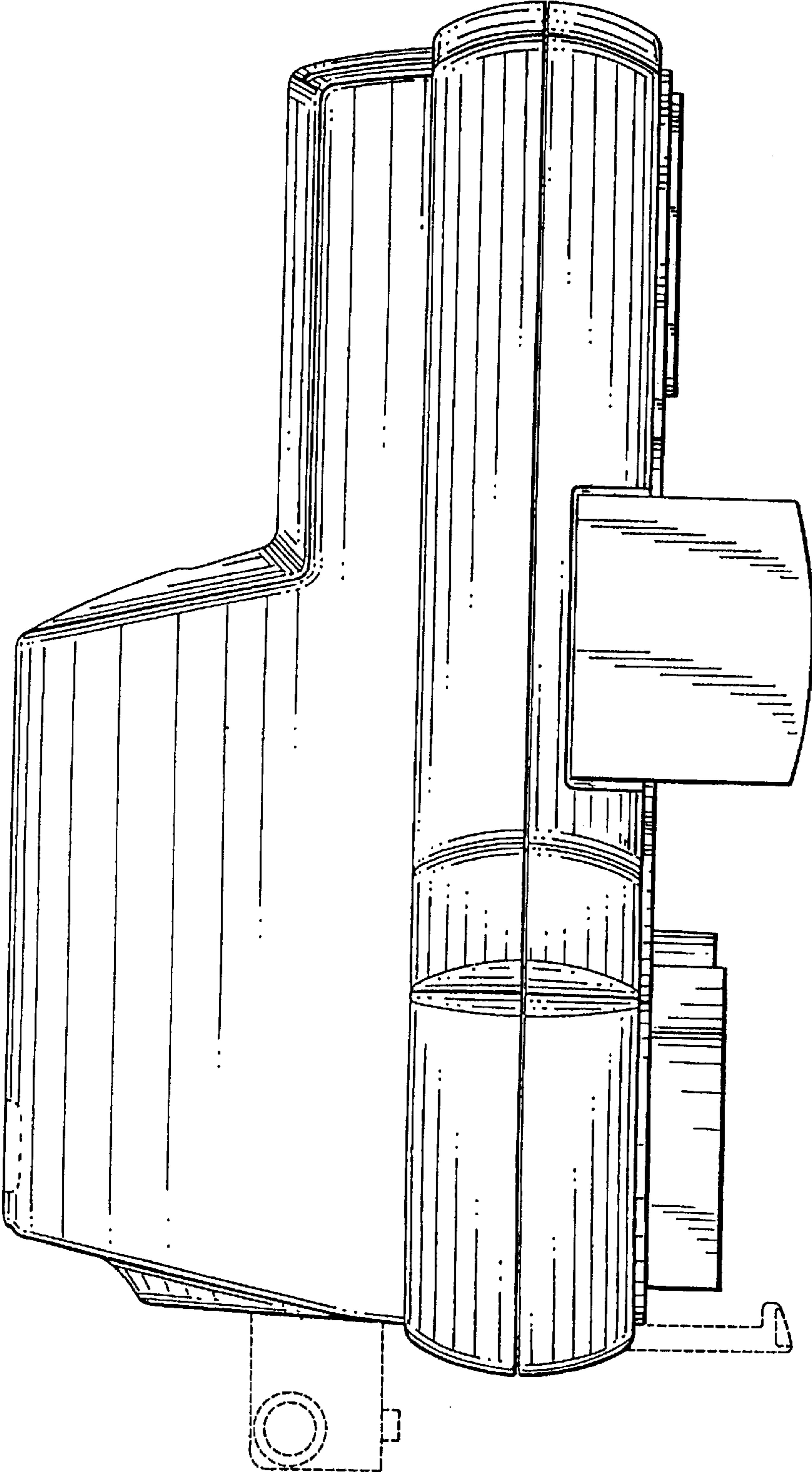


FIG.5

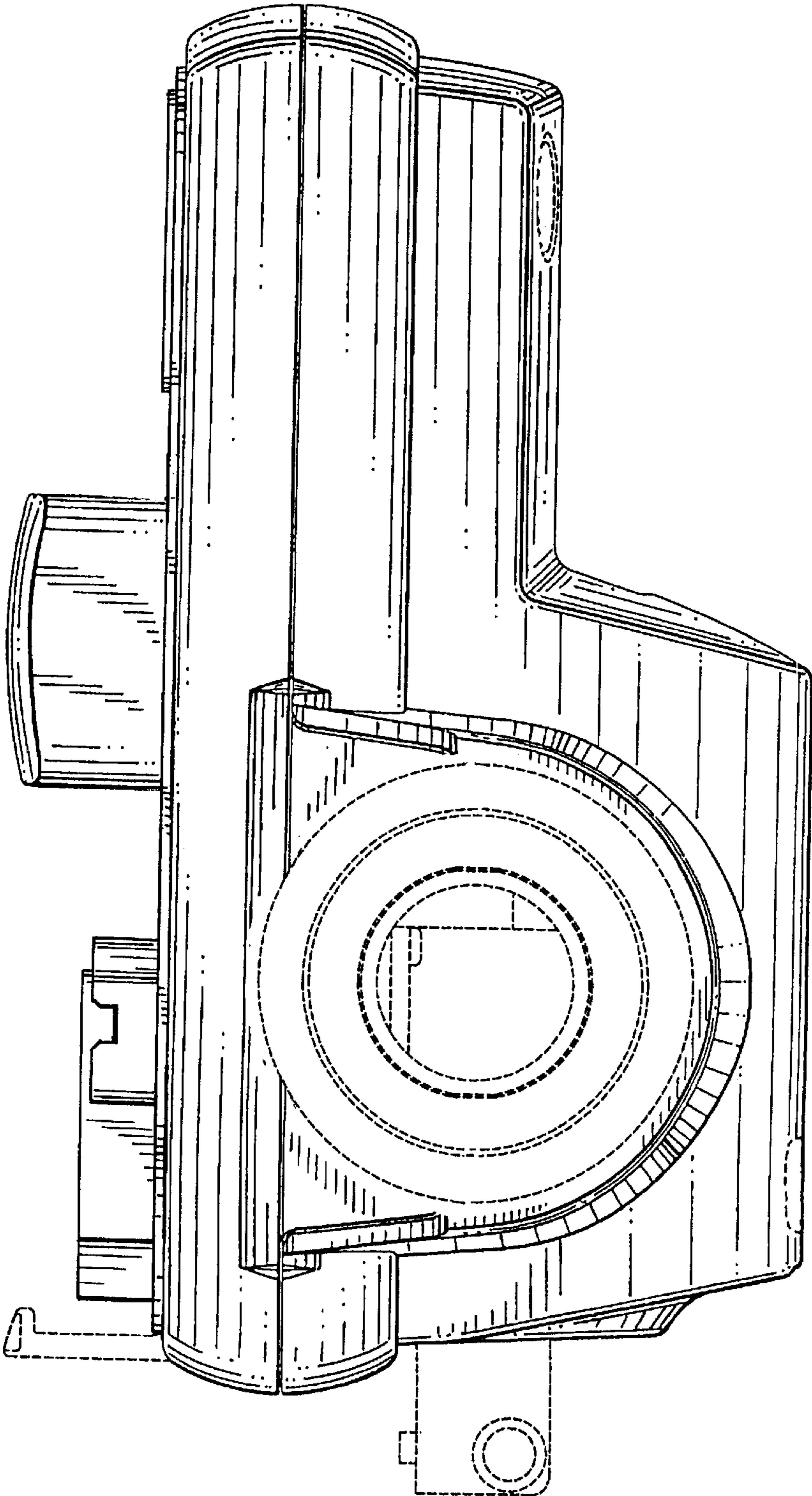


FIG.6



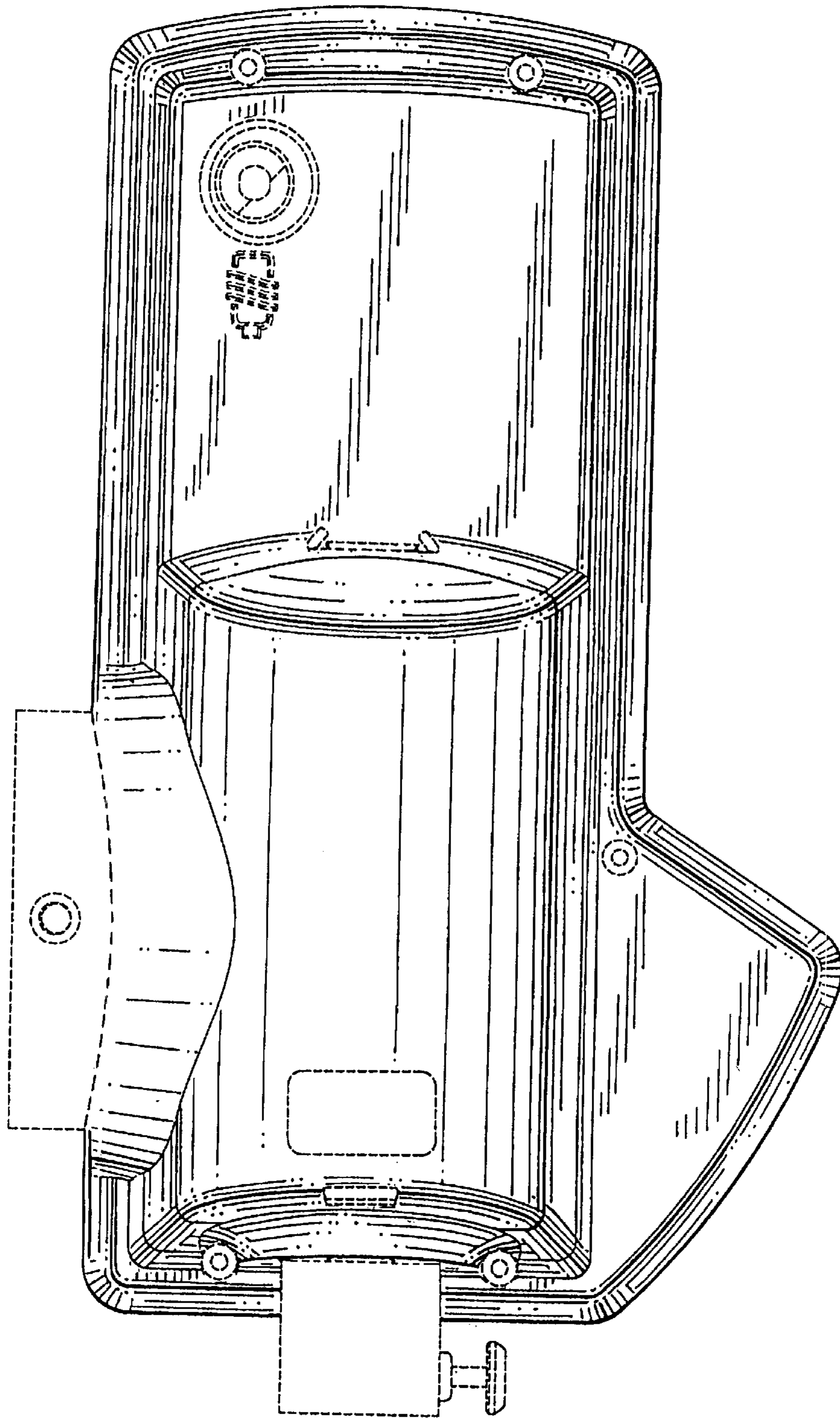


FIG. 7



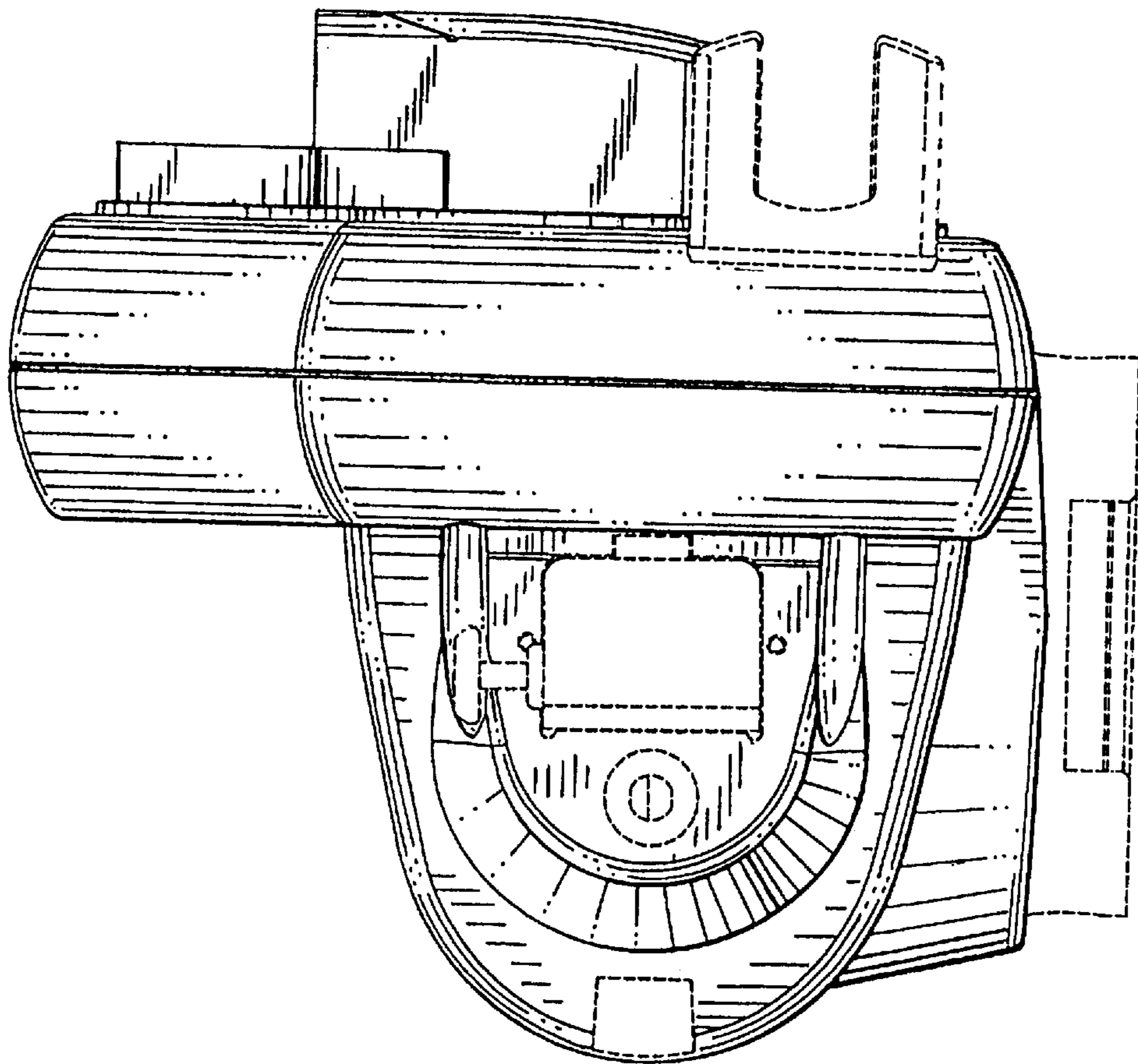


FIG. 8