

US00D542908S

(12) **United States Design Patent**  
**Tschop et al.**

(10) **Patent No.:** **US D542,908 S**

(45) **Date of Patent:** **\*\* May 15, 2007**

(54) **OUTDOOR STOVE**

(75) Inventors: **Roland Tschop**, Hasselby (SE); **Sam Oxing**, Stockholm (SE)

(73) Assignee: **Primus AB**, Solina (SE)

(\*\*) Term: **14 Years**

(21) Appl. No.: **29/244,731**

(22) Filed: **Dec. 14, 2005**

(30) **Foreign Application Priority Data**

Jun. 14, 2005 (EM) ..... 355227-0001

(51) **LOC (8) Cl.** ..... **07-02**

(52) **U.S. Cl.** ..... **D23/402**

(58) **Field of Classification Search** ..... D23/402;  
D7/339, 367, 332, 337; 126/59, 29, 9 R,  
126/11, 38, 43; 431/344, 343

See application file for complete search history.

(56) **References Cited**

**U.S. PATENT DOCUMENTS**

D120,152 S	*	4/1940	Tullis	.....	D7/337
D244,985 S	*	7/1977	Folke	.....	D7/337
4,177,790 A	*	12/1979	Zenzaburo	.....	126/38
D329,162 S	*	9/1992	Dutro et al.	.....	D7/332
D355,809 S	*	2/1995	Kothrade	.....	D7/337

D357,610 S	*	4/1995	Dutro et al.	.....	D7/332
5,803,727 A	*	9/1998	Long	.....	126/38
D420,441 S	*	2/2000	Hall	.....	D23/402
D424,364 S	*	5/2000	Persson	.....	D7/337
D444,991 S	*	7/2001	Measom	.....	D7/337
D446,991 S	*	8/2001	Taniguchi et al.	.....	D7/337
D478,771 S	*	8/2003	Wu	.....	D7/337
6,997,176 B2	*	2/2006	Paul, III	.....	126/9 R

\* cited by examiner

*Primary Examiner*—Louis Zarfaz

*Assistant Examiner*—David Muller

(74) *Attorney, Agent, or Firm*—Nixon & Vanderhye P.C.

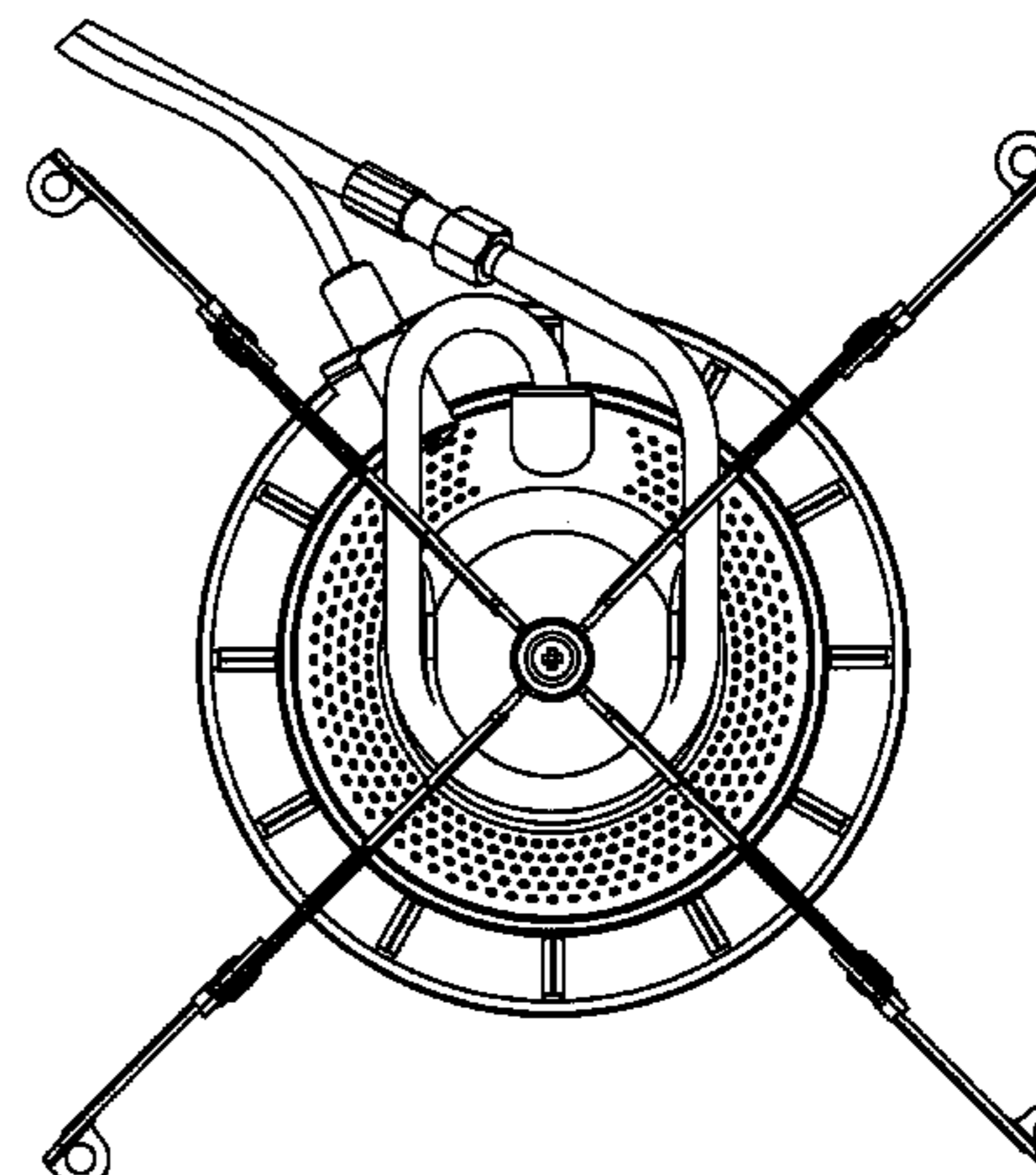
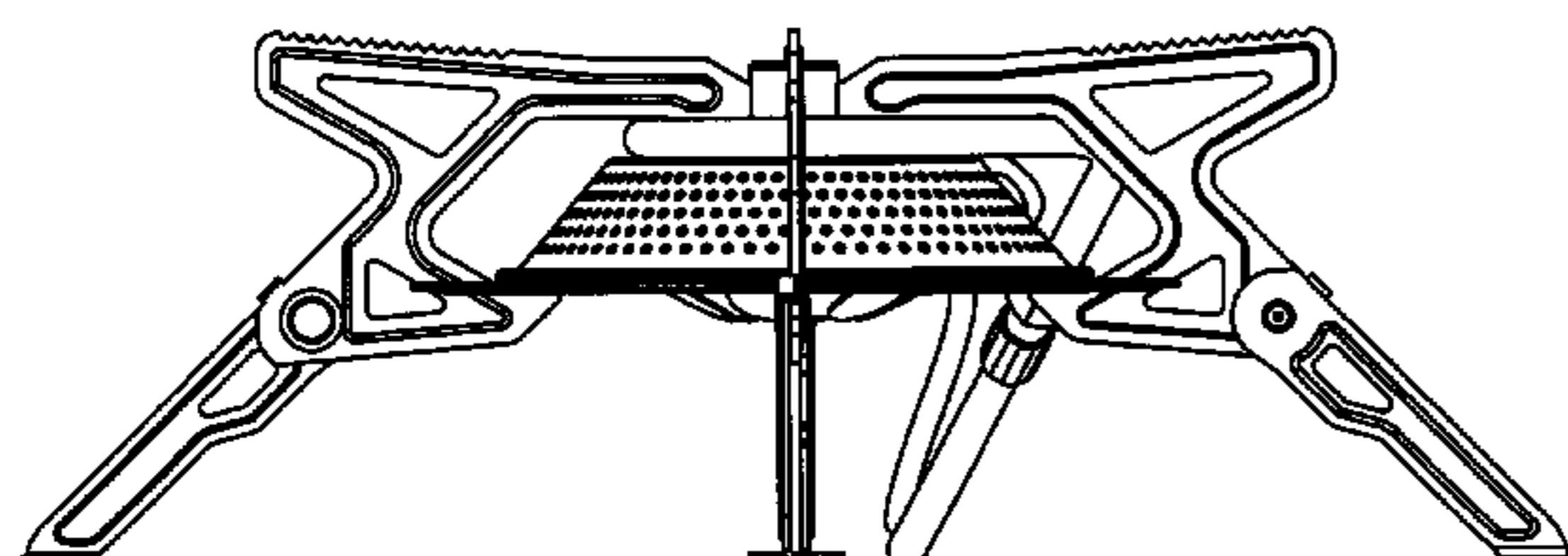
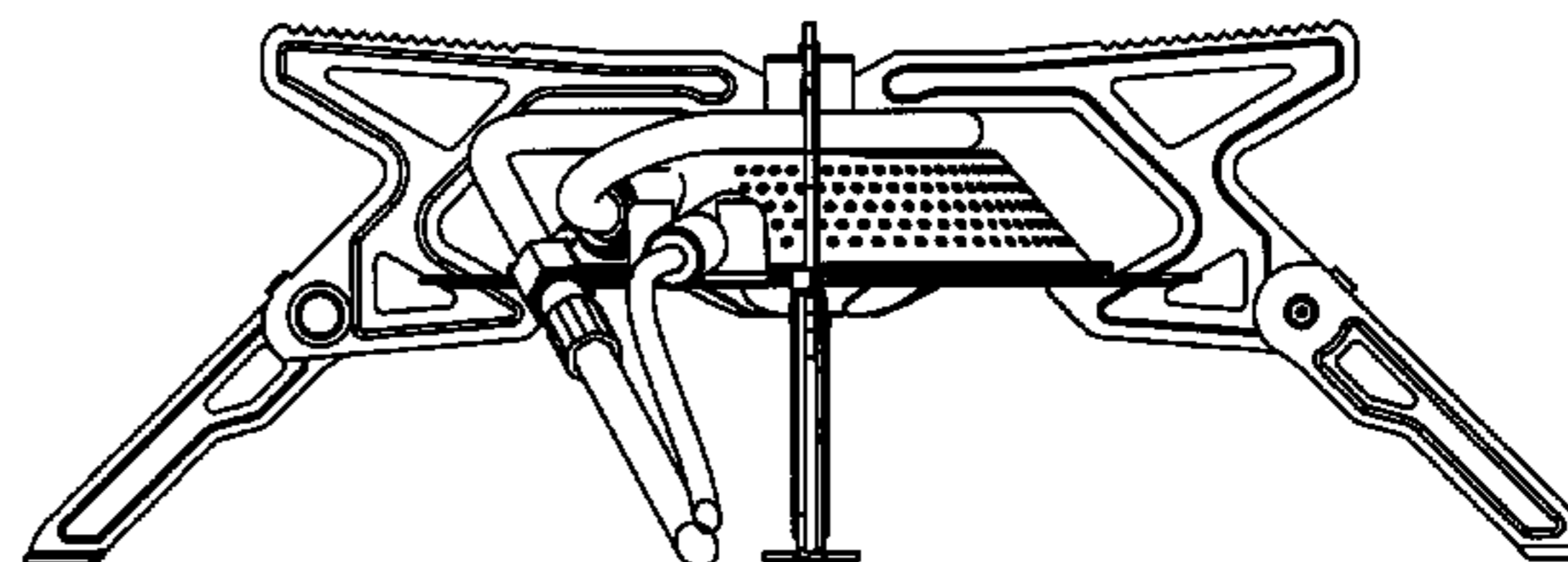
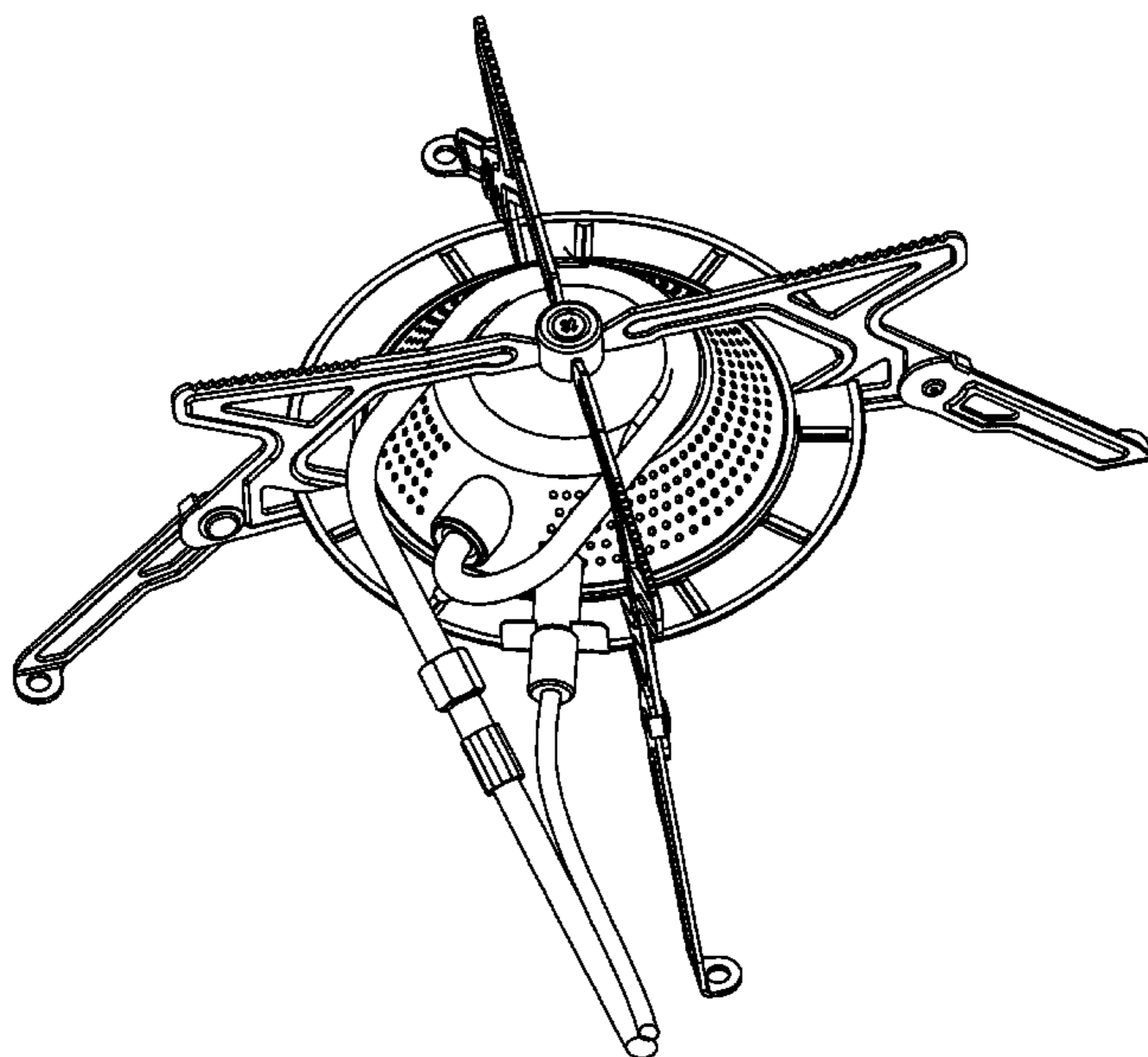
(57) **CLAIM**

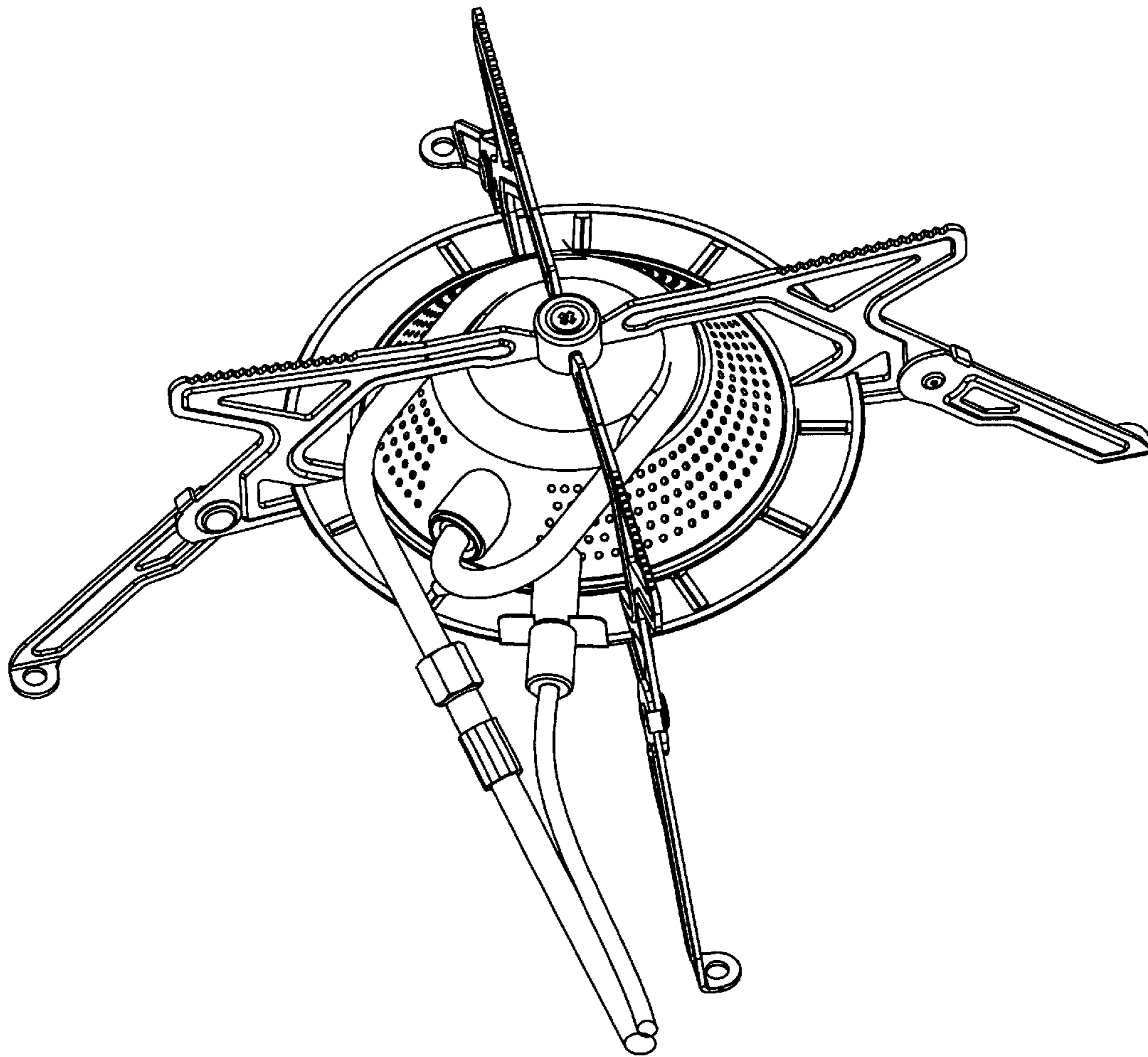
The ornamental design for an “outdoor stove,” as shown and described.

**DESCRIPTION**

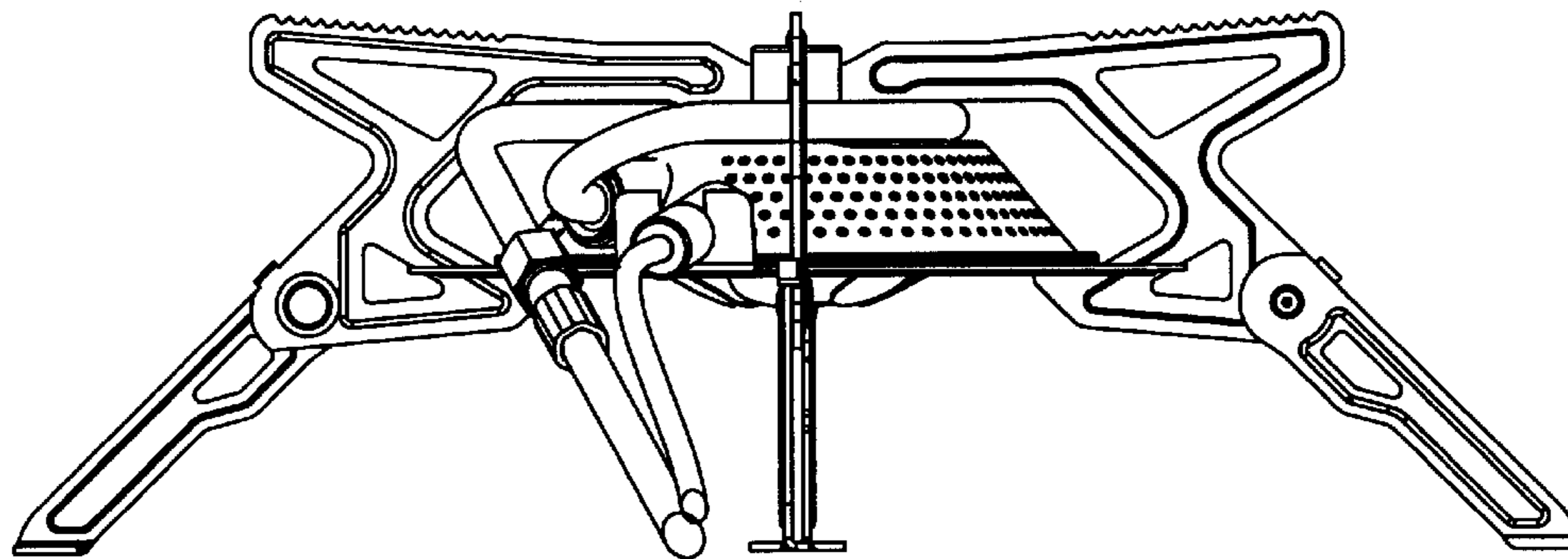
FIG. 1 is a top, front and left side perspective view of an outdoor stove according to our design; FIG. 2 is a front elevational view thereof; FIG. 3 is a rear elevational view thereof; FIG. 4 is a top plan view thereof; FIG. 5 is a bottom plan view thereof; FIG. 6 is a right side elevational view thereof; and, FIG. 7 is a left side elevational view thereof.

**1 Claim, 5 Drawing Sheets**

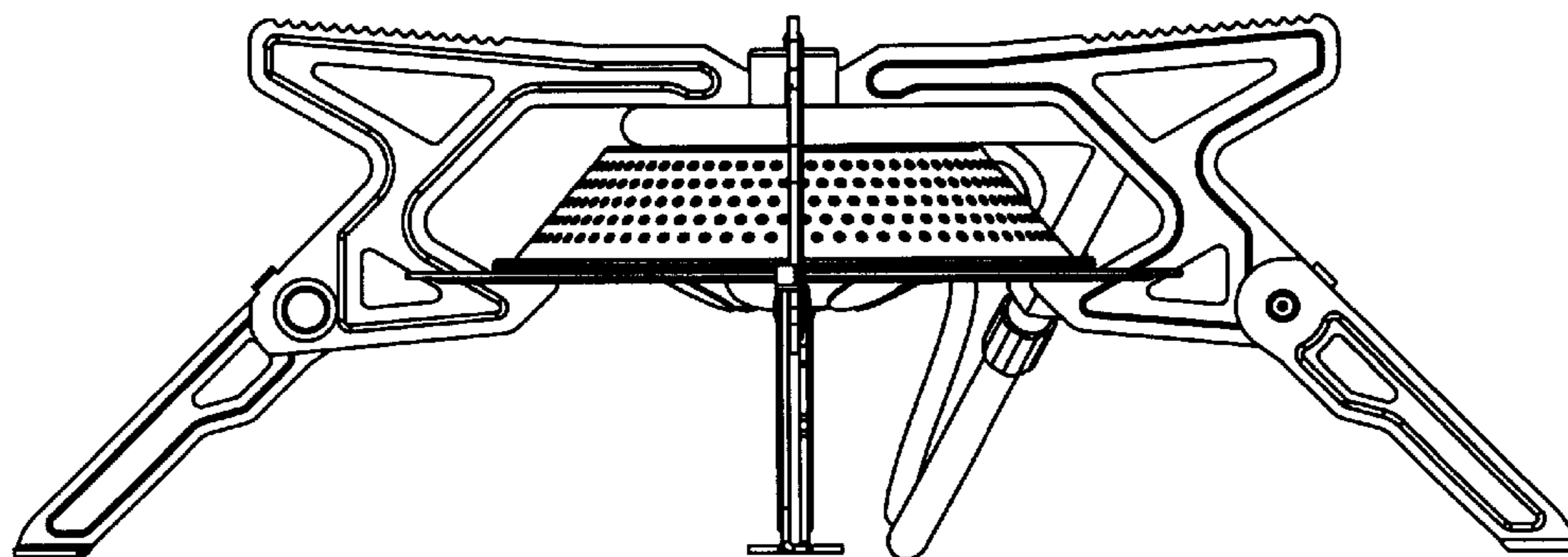




*Fig. 1*

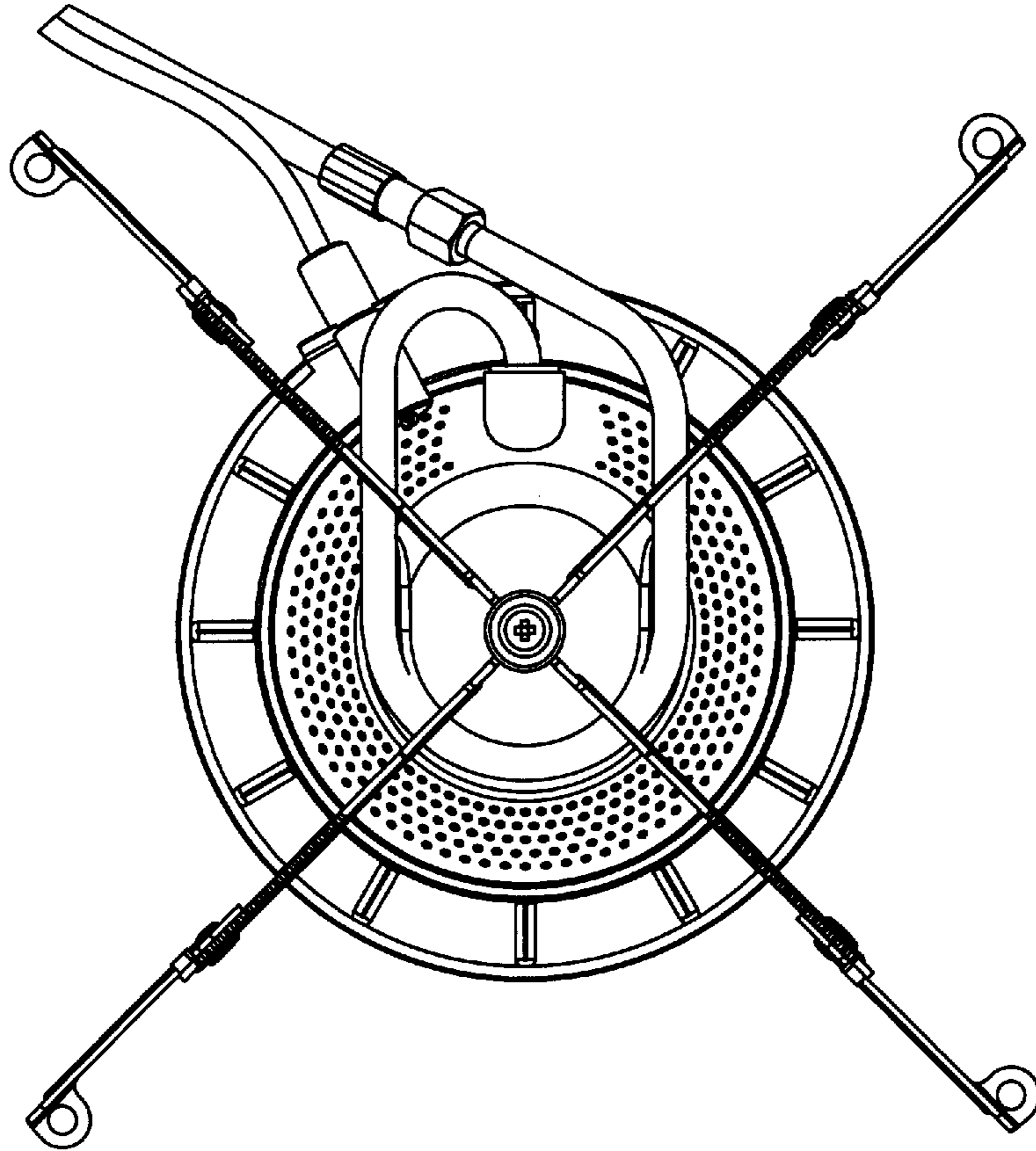


*Fig. 2*

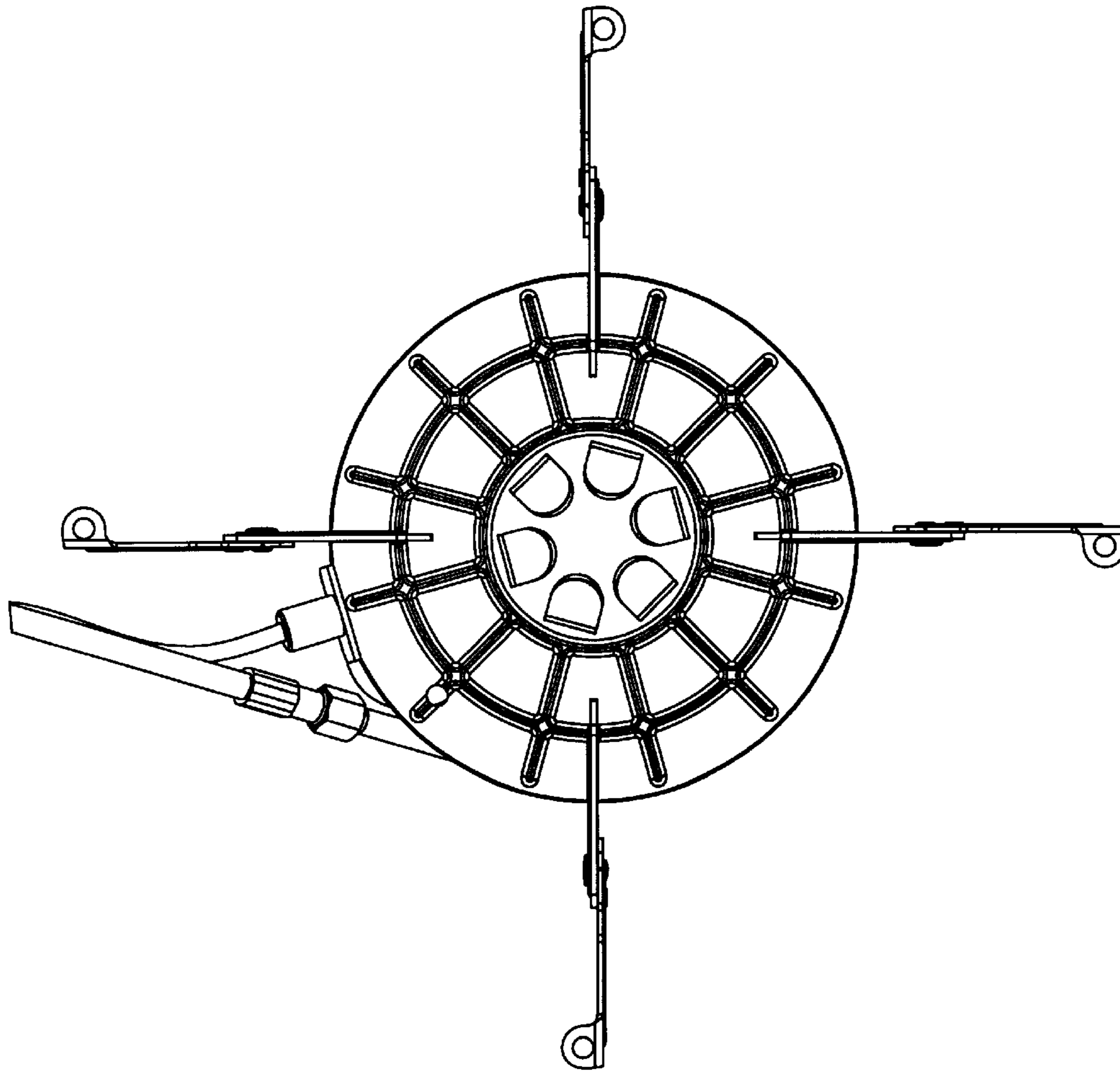


*Fig. 3*

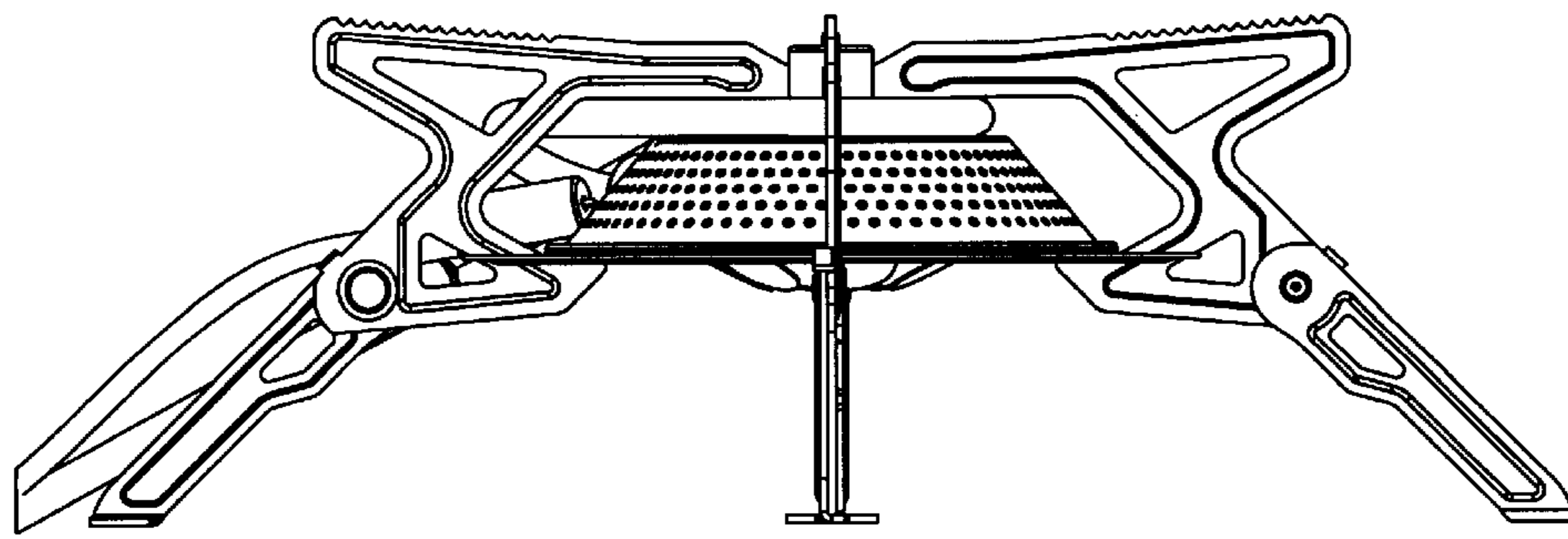




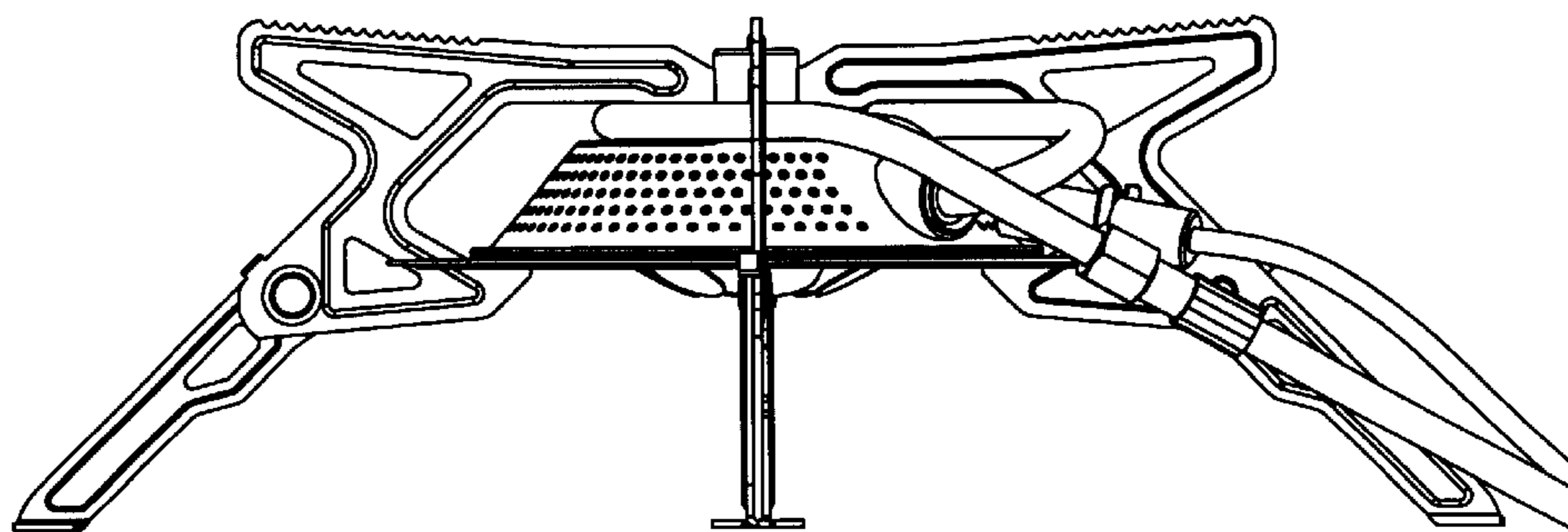
*Fig. 4*



*Fig. 5*



*Fig. 6*



*Fig. 7*