

US00D542907S

(12) **United States Design Patent**  
**Isomura et al.**

(10) **Patent No.:** **US D542,907 S**

(45) **Date of Patent:** **\*\* May 15, 2007**

(54) **CLAMP**

(75) Inventors: **Tsunehisa Isomura**, Kariya (JP);  
**Hideki Sudo**, Toyota (JP); **Asanari**  
**Hosoi**, Okazaki (JP); **Takaaki**  
**Kawamoto**, Okazaki (JP)

(73) Assignees: **Nifco Inc.**, Yokohama-shi (JP); **Vtec**  
**Co. Ltd.**, Anjou-shi (JP); **Toyota**  
**Jidosha Kabushiki Kaisha**, Toyota-shi  
(JP)

(\*\*) Term: **14 Years**

(21) Appl. No.: **29/235,718**

(22) Filed: **Aug. 5, 2005**

(30) **Foreign Application Priority Data**

Feb. 23, 2005 (JP) ..... 2005-004915

(51) **LOC (8) Cl.** ..... **23-04**

(52) **U.S. Cl.** ..... **D23/388**

(58) **Field of Classification Search** ..... D8/71,  
D8/72, 73, 74, 394, 353, 354, 355, 396; D24/128;  
269/2, 6, 59, 385  
See application file for complete search history.

(56) **References Cited**

**U.S. PATENT DOCUMENTS**

D262,774 S \* 1/1982 Wallace ..... D8/354  
D263,624 S \* 3/1982 Stenzler et al. .... D24/128  
D277,644 S \* 2/1985 Tolkko ..... D8/396  
4,558,494 A \* 12/1985 Kraus ..... D8/394

D285,049 S \* 8/1986 Watanabe ..... D8/394  
D307,697 S \* 5/1990 Geckle ..... D8/71  
D342,440 S \* 12/1993 Forsberg ..... D8/71  
D348,196 S \* 6/1994 Forsberg ..... D8/72  
D363,657 S \* 10/1995 Kassardjian et al. .... D8/354  
D370,841 S \* 6/1996 Gola ..... D8/354  
D392,544 S \* 3/1998 Nakamura ..... D8/354  
D405,349 S \* 2/1999 Orth ..... D8/354  
D484,784 S \* 1/2004 Siragusa ..... D8/396

\* cited by examiner

*Primary Examiner*—Louis Zarfaz

*Assistant Examiner*—David Muller

(74) *Attorney, Agent, or Firm*—Manabu Kanesaka

(57) **CLAIM**

The ornamental design for a clamp, as shown and described.

**DESCRIPTION**

FIG. 1 is a front view of a clamp showing our new design;  
FIG. 2 is a rear view thereof;  
FIG. 3 is a bottom view thereof;  
FIG. 4 is a right side view thereof, a left side view being the  
same as the right side view;  
FIG. 5 is an enlarged sectional view thereof taken along line  
6—6; and,  
FIG. 6 is a sectional view thereof taken along line 7—7 in  
FIG. 4.

The broken line showing of the top part of the clamp is  
included for the purpose of illustrating environment and  
forms no part of the claimed design.

**1 Claim, 4 Drawing Sheets**

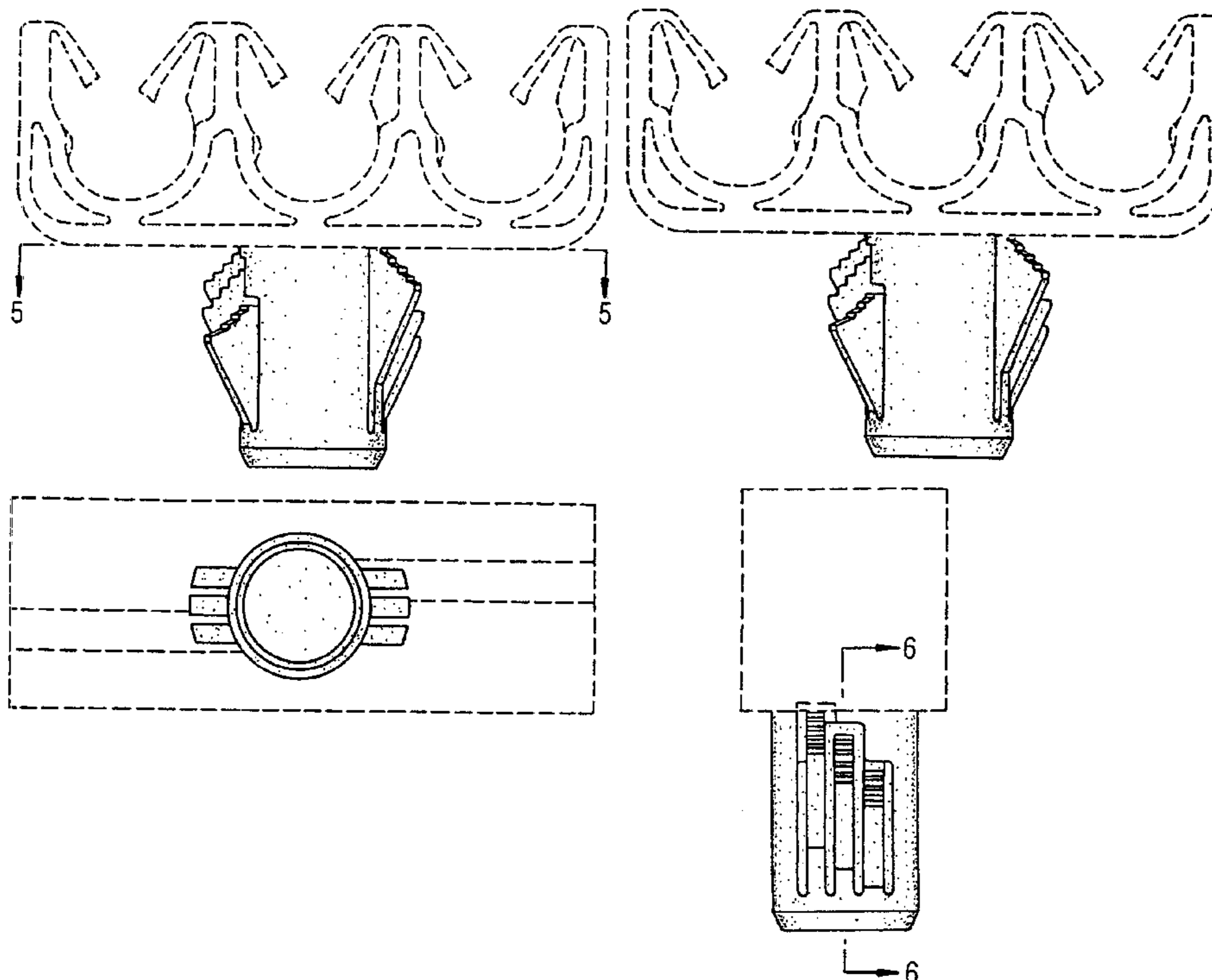


Fig. 1

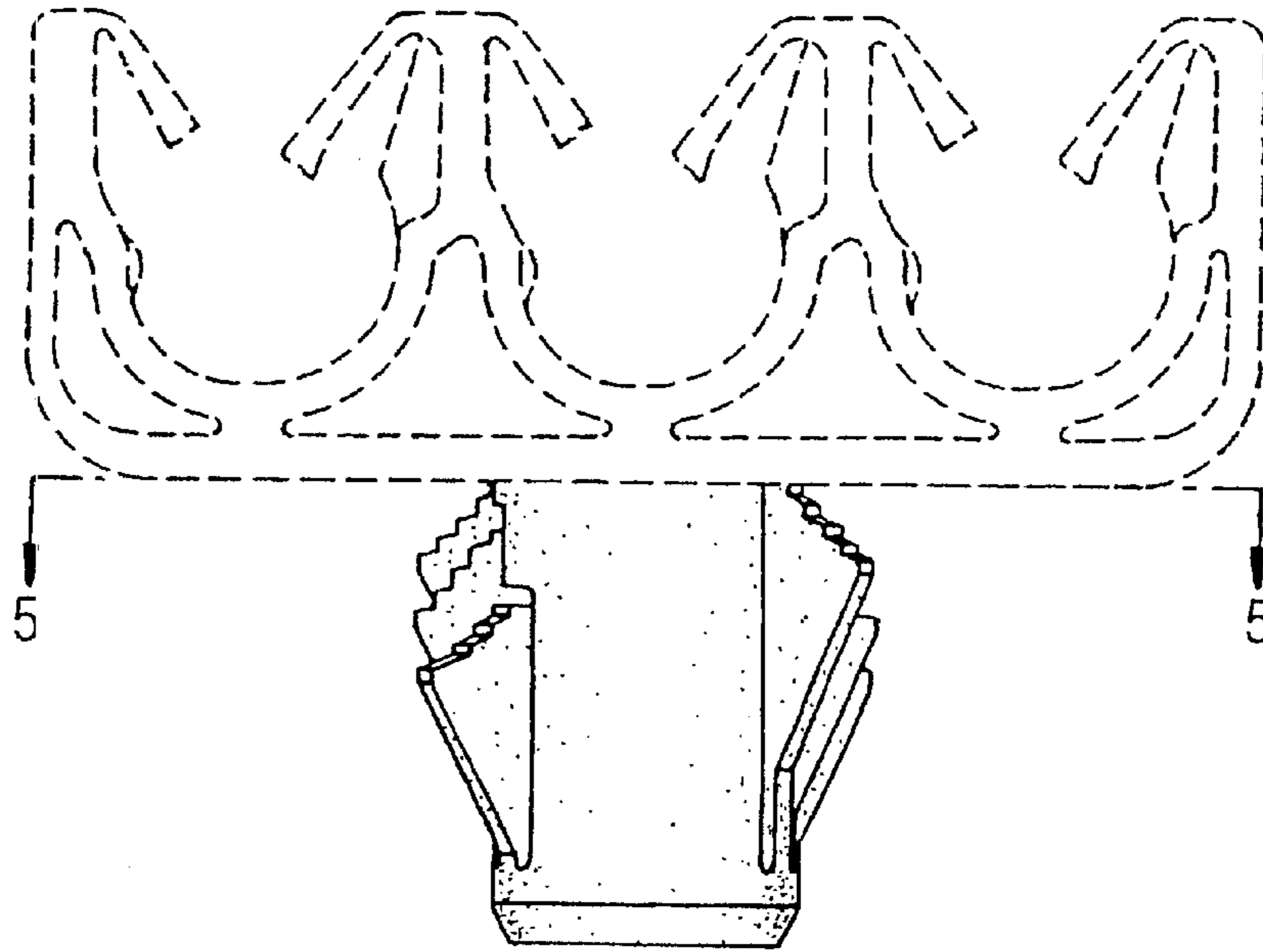


Fig. 2

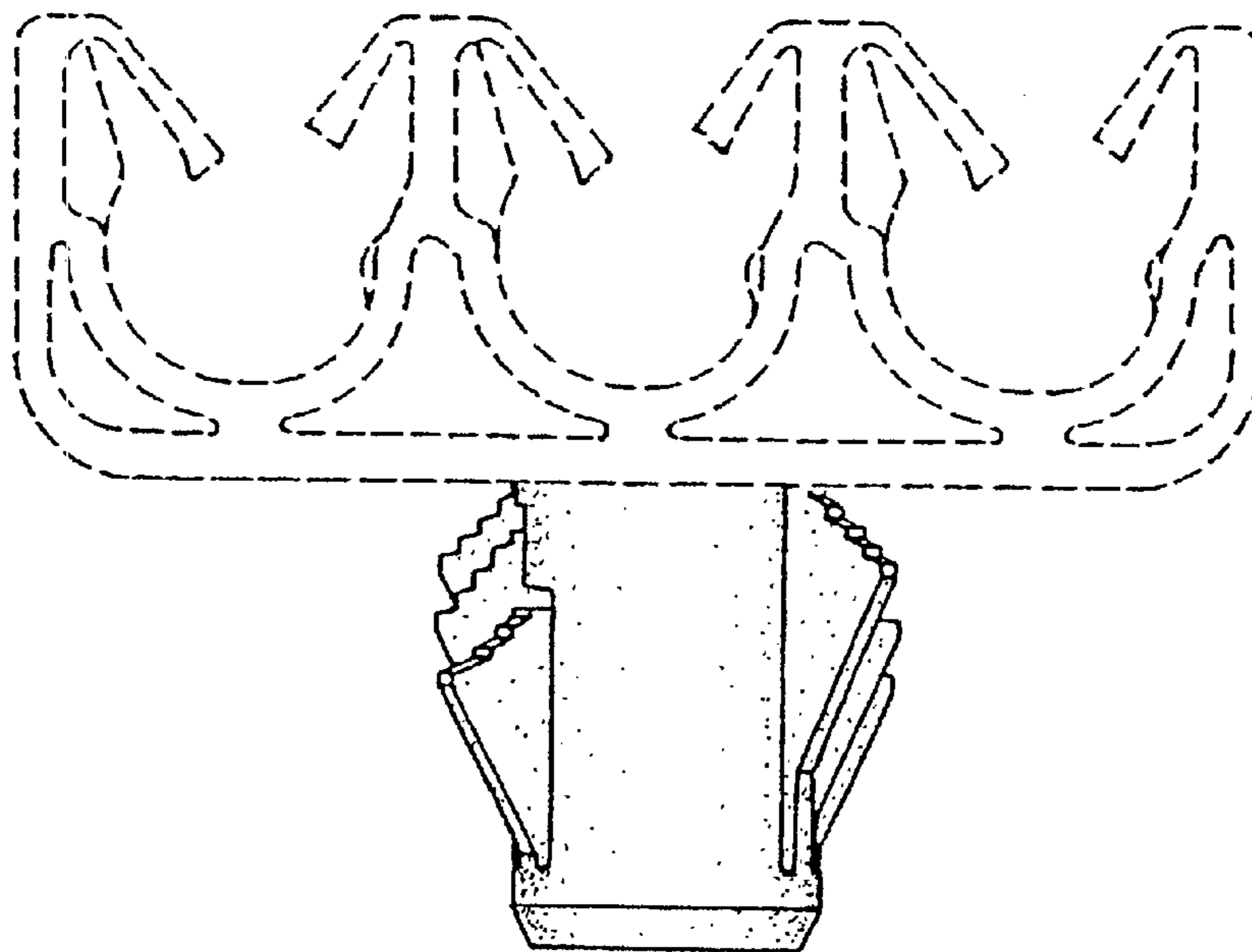


Fig. 3

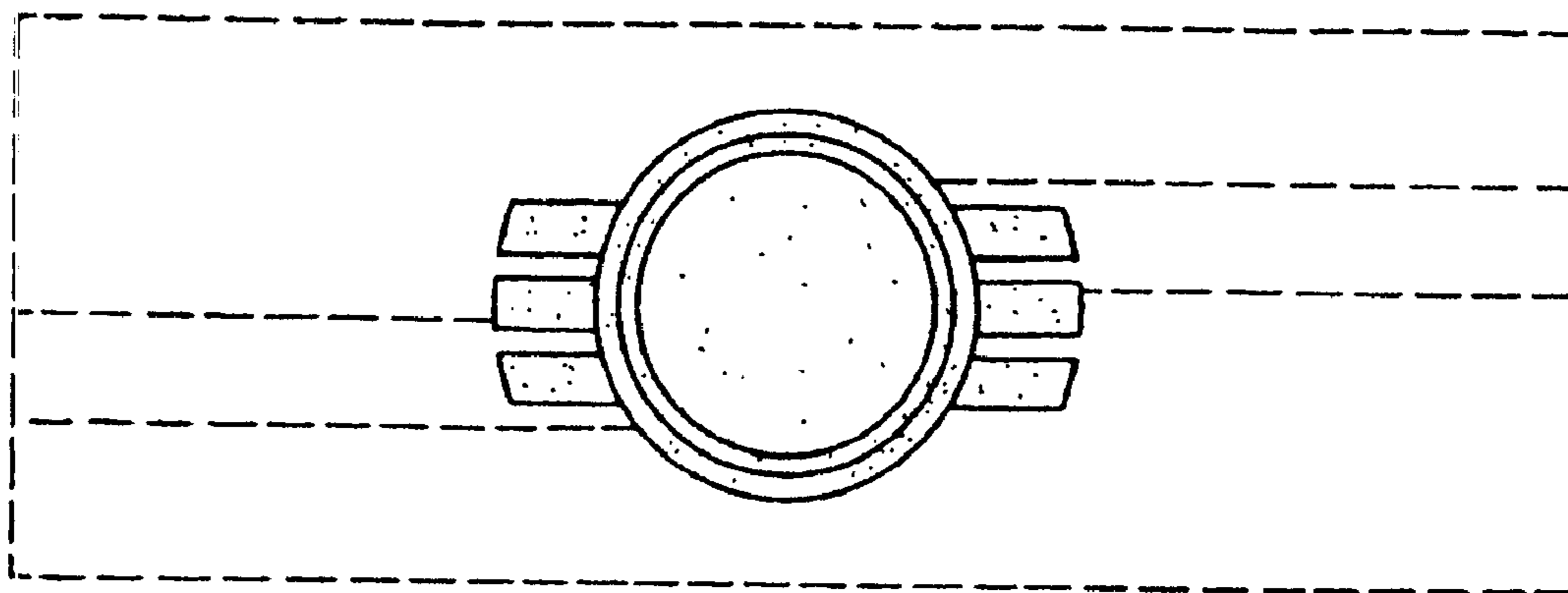


Fig. 4

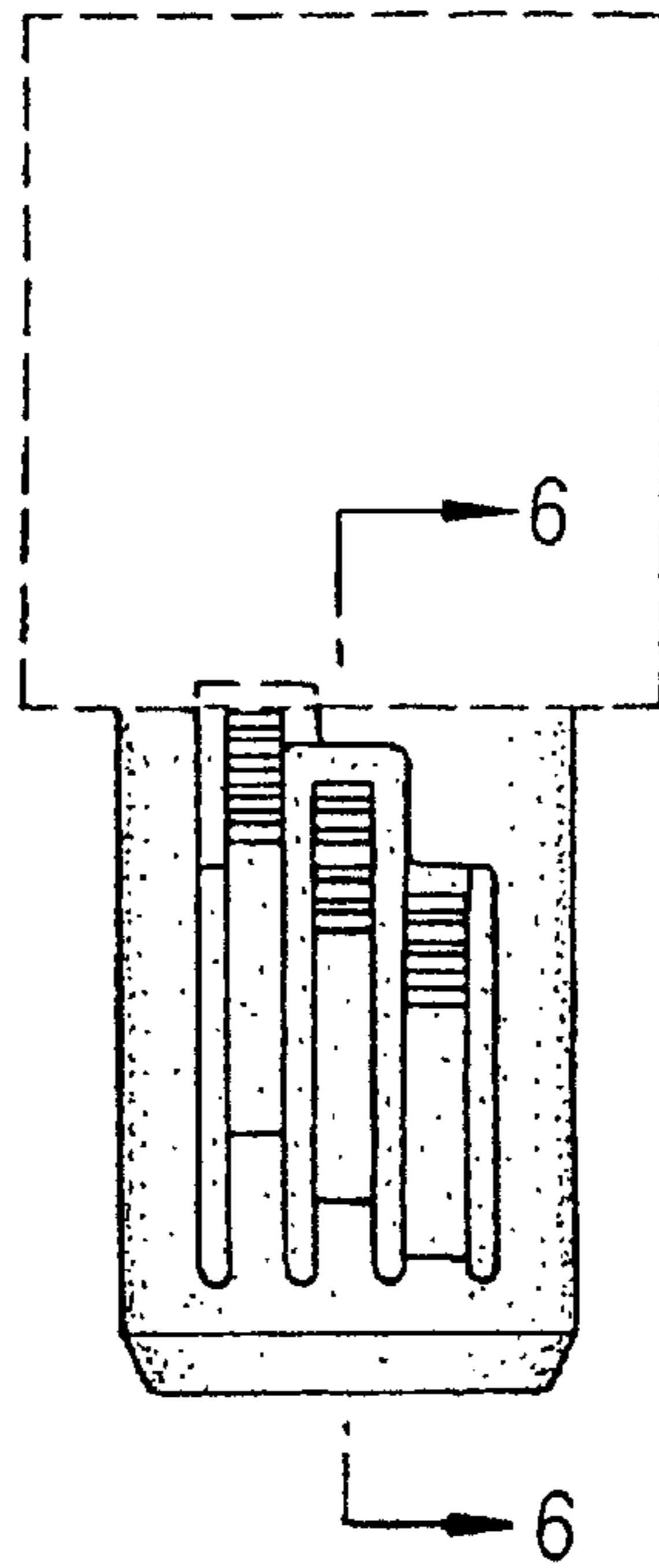


Fig. 5

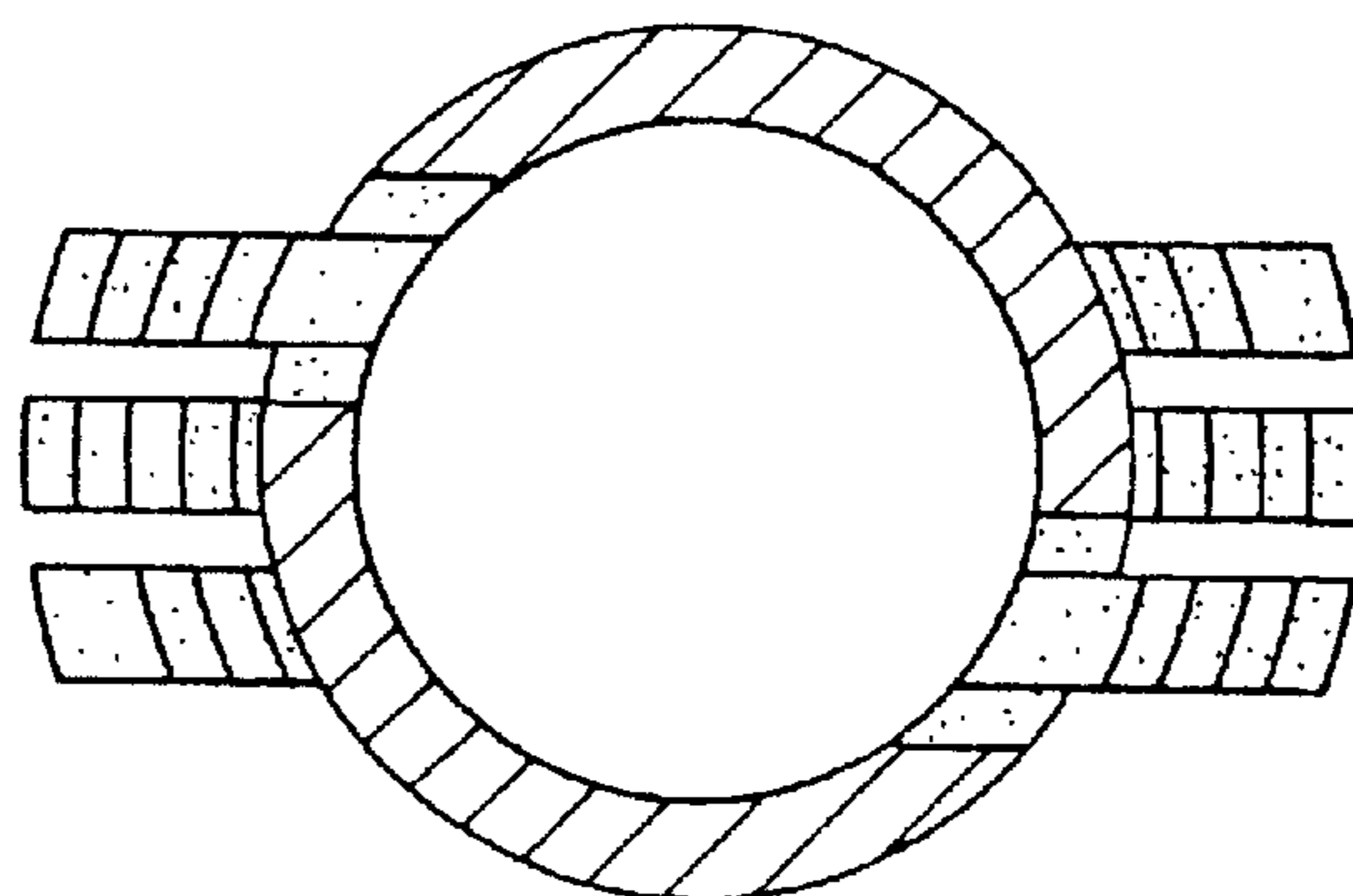


Fig. 6

