



US00D542905S

(12) **United States Design Patent** (10) **Patent No.:** **US D542,905 S**  
**Young** (45) **Date of Patent:** **\*\* May 15, 2007**

- (54) **COMBINATION CEILING FAN AND LIGHT FIXTURE**
- (75) Inventor: **Stanfield Young**, Los Alamitos, CA (US)
- (73) Assignee: **Minka Lighting, Inc.**, Corona, CA (US)
- (\*\*) Term: **14 Years**
- (21) Appl. No.: **29/235,371**
- (22) Filed: **Aug. 1, 2005**
- (51) **LOC (8) Cl.** ..... **23-04**
- (52) **U.S. Cl.** ..... **D23/377; D26/59**
- (58) **Field of Classification Search** ..... D23/377, D23/379, 385, 411, 413; 416/5; D26/59, D26/71, 81-88, 51; 362/96  
See application file for complete search history.

(56) **References Cited**

**U.S. PATENT DOCUMENTS**

D321,935 S	11/1991	Ignon	
D323,028 S	* 1/1992	Holbrook	..... D23/377
5,462,407 A	10/1995	Calvo	
D393,902 S	4/1998	Pickett	
D435,289 S	12/2000	Liu	
D435,900 S	1/2001	Dye	
D449,683 S	* 10/2001	Gajewski	..... D23/413
D483,474 S	12/2003	Young	
D514,216 S	* 1/2006	Hidalgo	..... D23/377

**OTHER PUBLICATIONS**

Hampton Bay Ceiling Fans Catalog; vol. 1; Spring/Summer 2004; p. 38.  
Minka Lighting, Inc.; MinkaAire 2004 Catalog; pp. 52-53.  
Minka Lighting, Inc.; MinkaAire 2005 Catalog; Jan. 2005; pp. 78-79.

Lamps Plus Internet Catalog; Casablanca Ventura II, Model #89125-57276; www.lampsplus.com.  
Casablanca Internet Catalog; Malibu Star; Model #23B002; www.casablancafanco.com.  
Casablanca Internet Catalog; Avalon Blade System; Model #B31B; www.casablancafanco.com.  
Monte Carlo Internet Catalog; Vera Cruz; Model #VC5B06, 5VC0P, 5VCFB; 5VC0C, 5VCWH.  
Kichler Internet Catalog; Nautical Sail; Model #35025; printed from www.lowes.com.  
Emerson Internet Catalog; Maui Bay; from www.ceiling-fanoutlet.com.  
Fanimation Internet Catalog; Islander; from www.ceiling-fanoutlet.com.

\* cited by examiner

*Primary Examiner*—Lisa Lichtenstein  
(74) *Attorney, Agent, or Firm*—Baker & McKenzie LLP

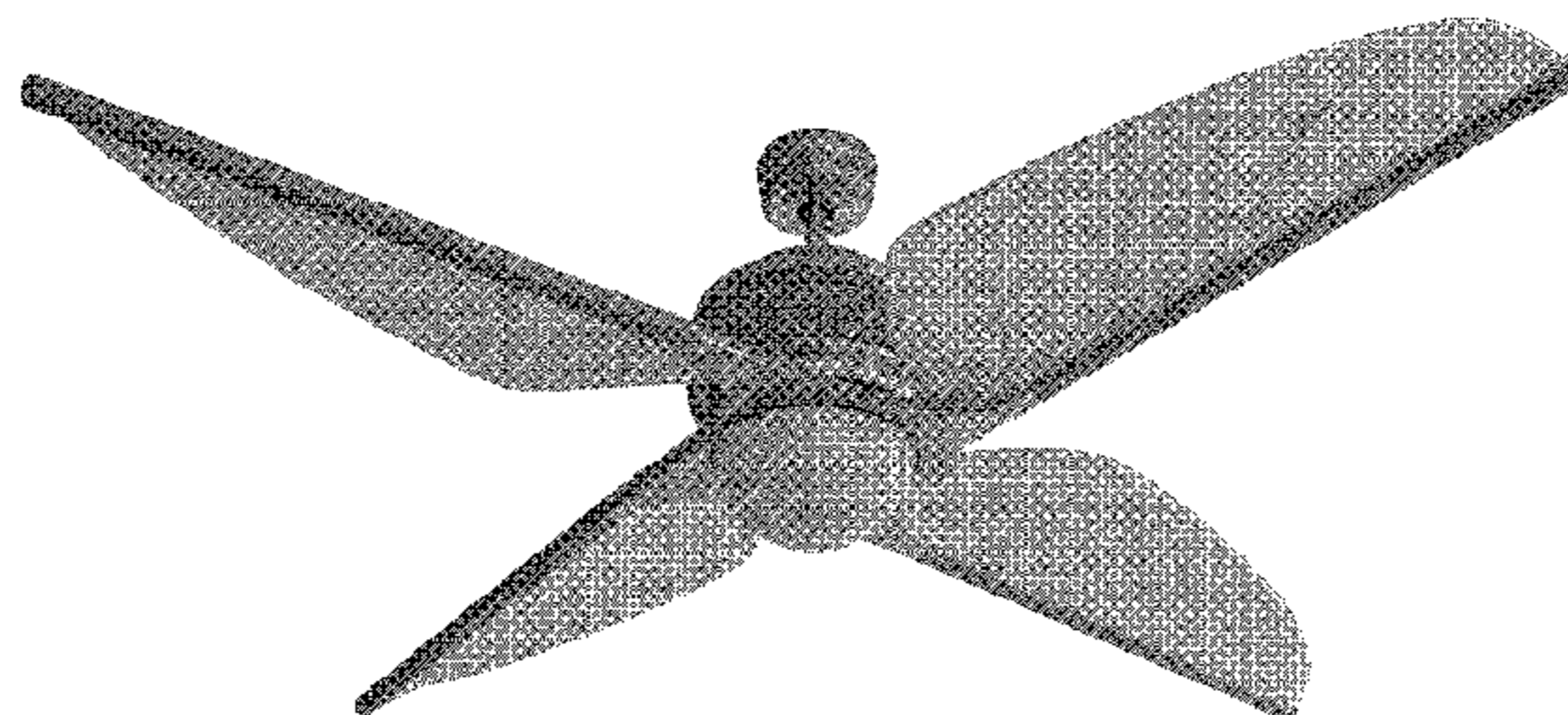
(57) **CLAIM**

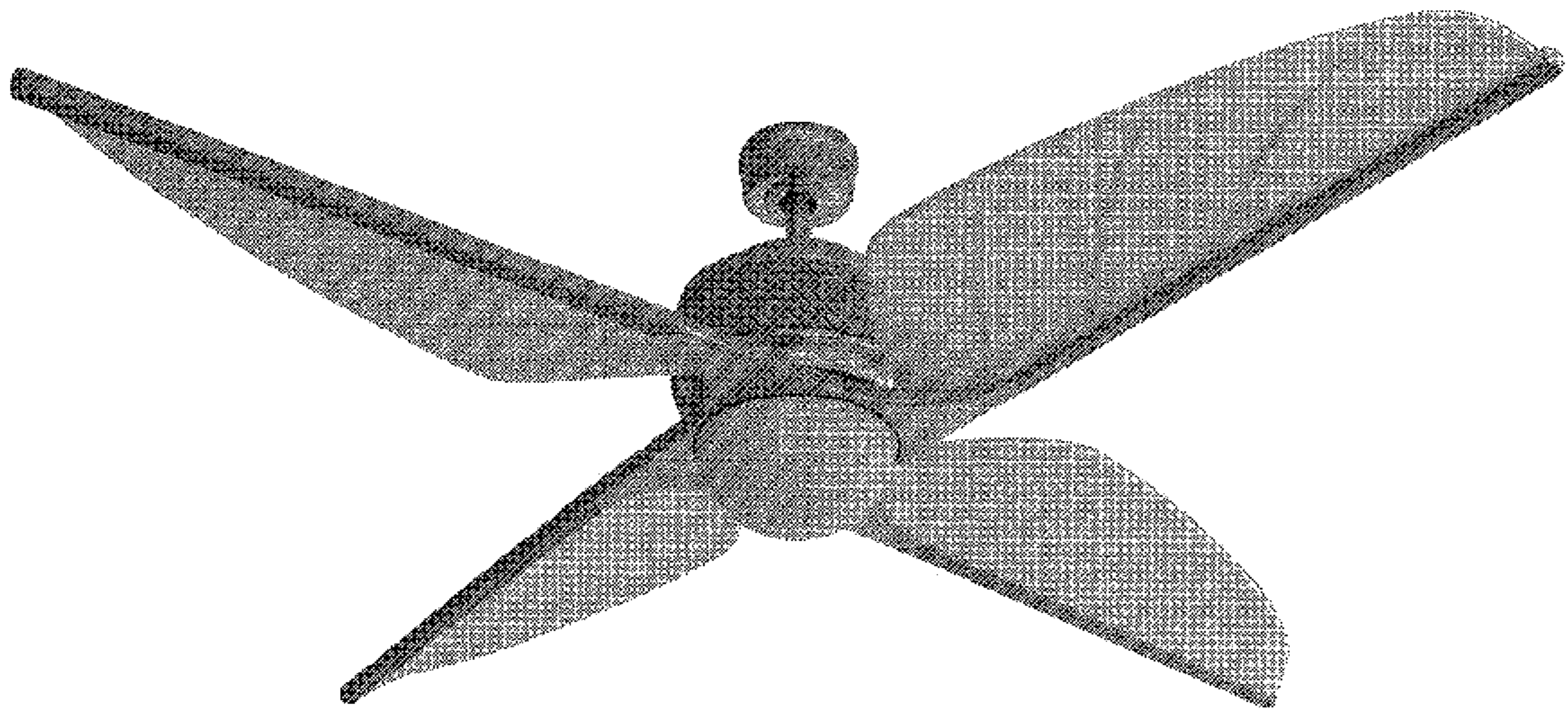
The ornamental design for a combination ceiling fan and light fixture, as shown and described.

**DESCRIPTION**

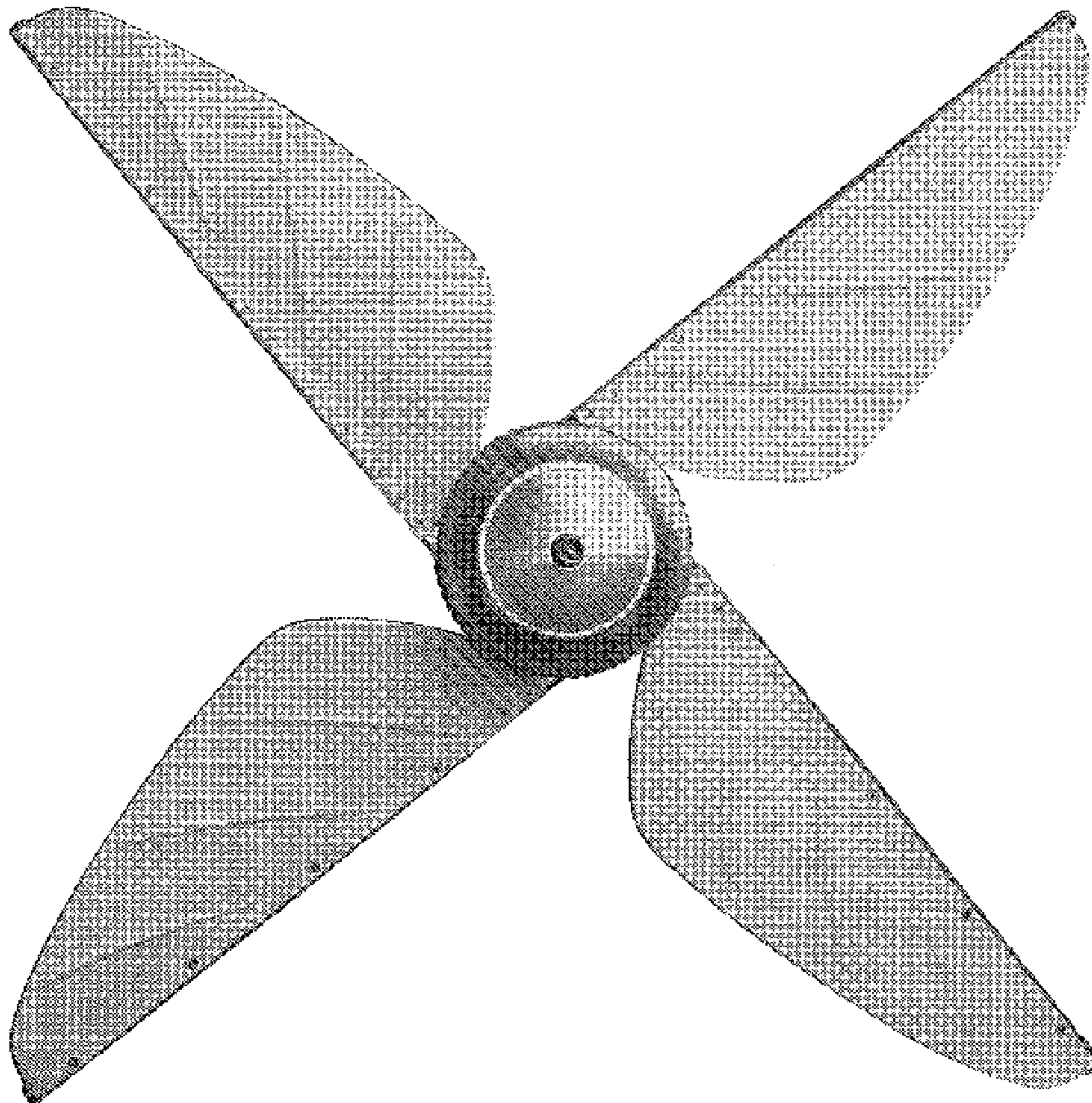
FIG. 1 is a perspective view from below of a combination ceiling fan and light fixture in accordance with my design; FIG. 2 is a top plan view of the combination ceiling fan and light fixture in accordance with my design; FIG. 3 is a bottom plan view of the combination ceiling fan and light fixture in accordance with my design; FIG. 4 is a front elevation view of the combination ceiling fan and light fixture in accordance with my design; and, FIG. 5 is a side elevation view of the combination ceiling fan and light fixture in accordance with my design, the opposite side being a mirror image of that shown. FIGS. 4 and 5 are identical except for the positioning of the fan blades.

**1 Claim, 5 Drawing Sheets**

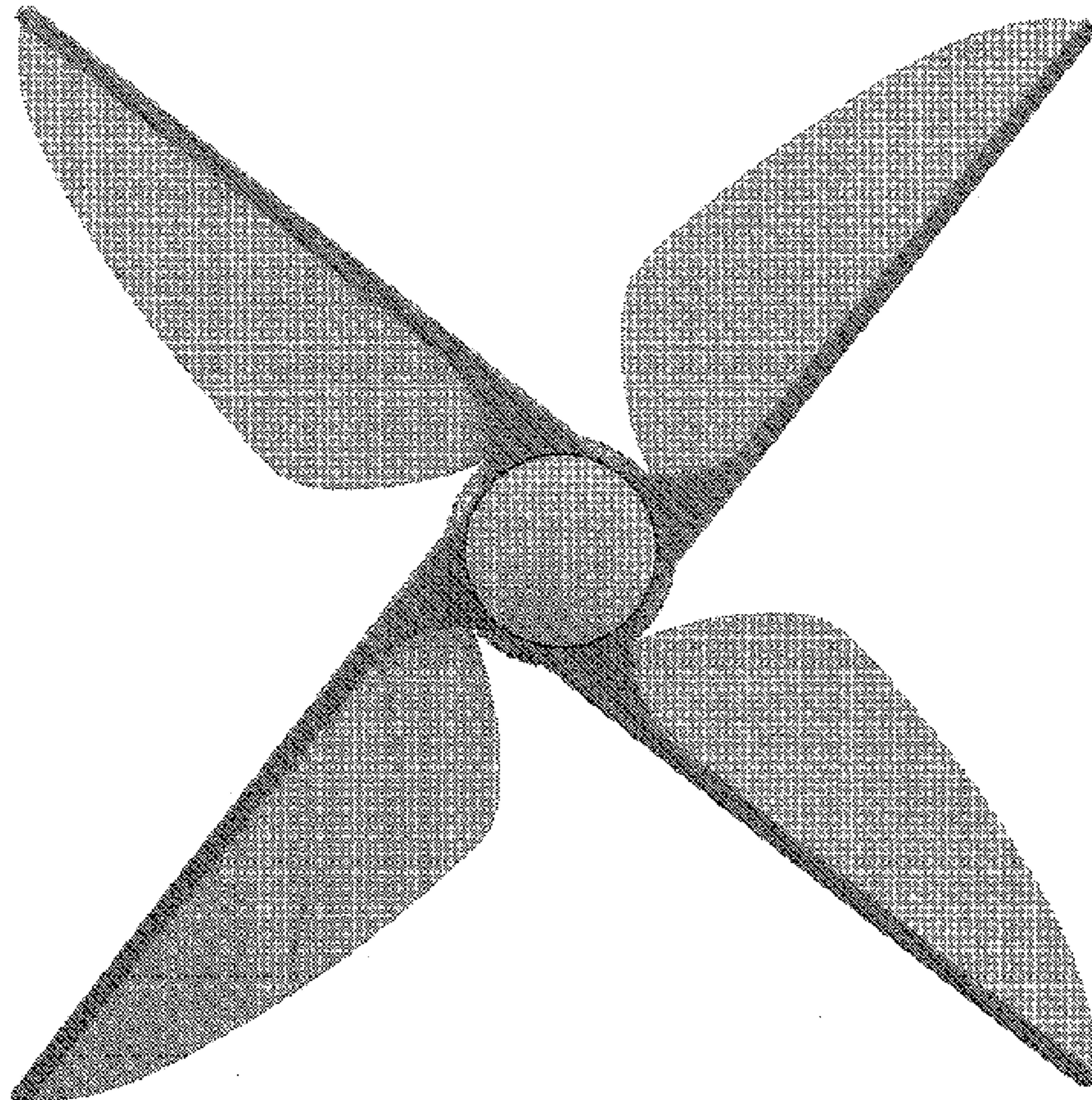




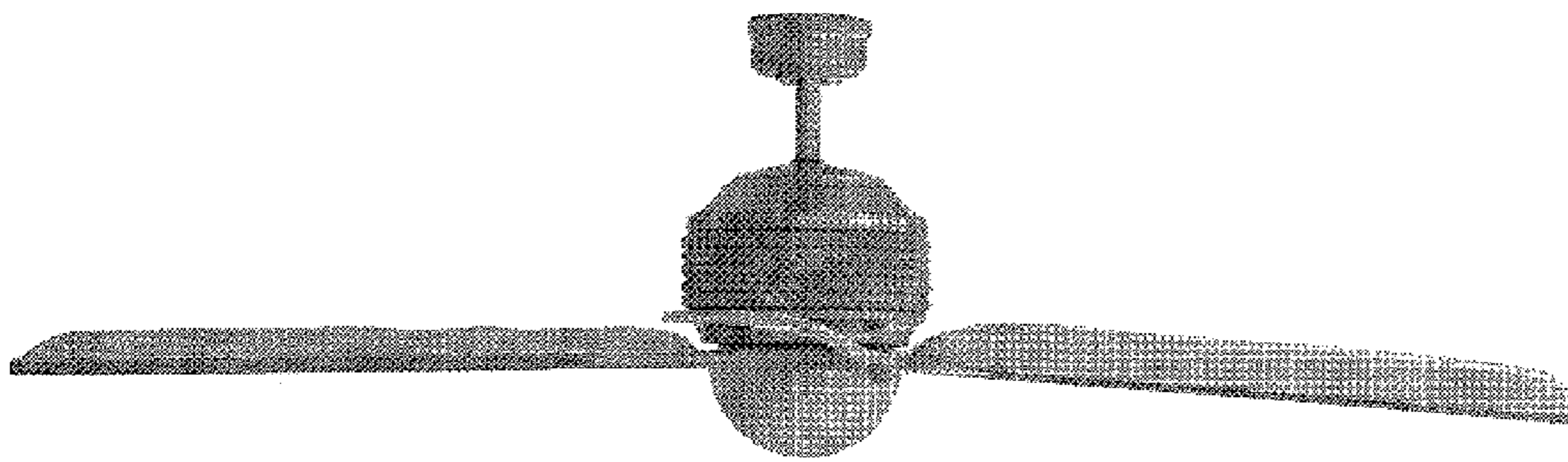
*Fig.1*



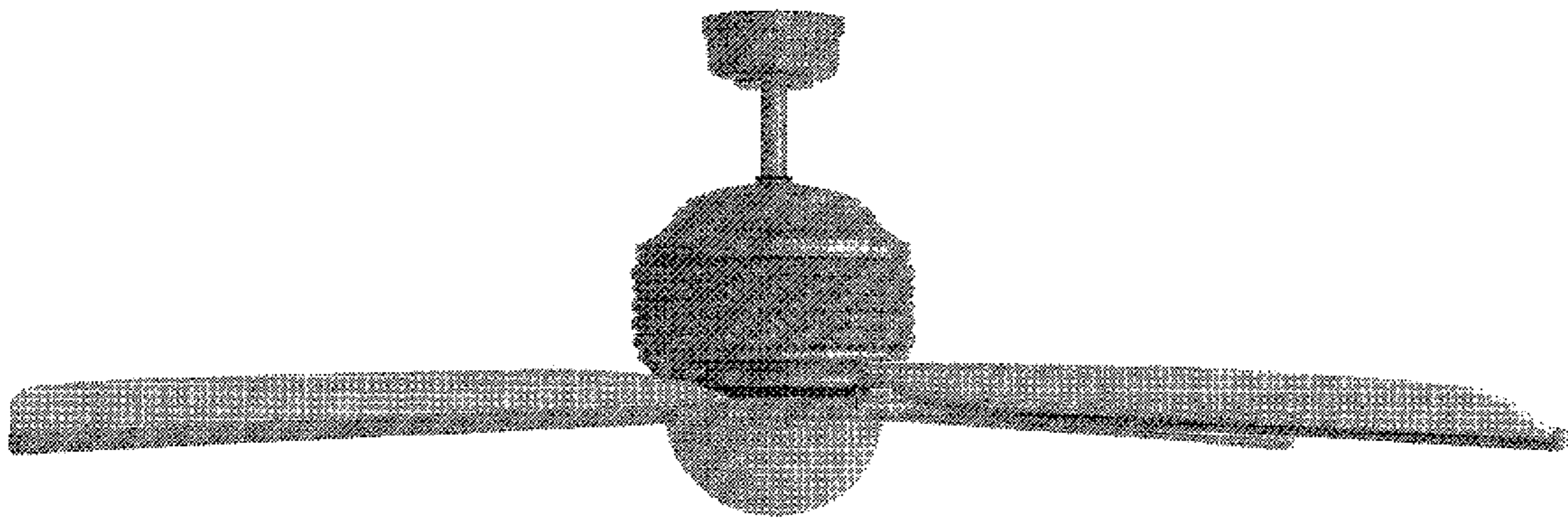
*Fig.2*



*Fig.3*



*Fig.4*



*Fig.5*