



US00D542903S

(12) **United States Design Patent**
Caserta et al.

(10) **Patent No.:** **US D542,903 S**

(45) **Date of Patent:** **** May 15, 2007**

(54) **ELECTRIC VAPORIZER**

(75) Inventors: **Andrea Caserta**, Barcelona (ES);
Ruben Garcia Fabrega, Barcelona
(ES); **Joan Gusi Hidalgo**, Barcelona
(ES); **Richard Tomas Vilarasa**,
Barcelona (ES)

(73) Assignee: **Zobeles Espana S.A.** (ES)

(**) Term: **14 Years**

(21) Appl. No.: **29/243,972**

(22) Filed: **Dec. 2, 2005**

(51) **LOC (8) Cl.** **23-04**

(52) **U.S. Cl.** **D23/366; D23/360**

(58) **Field of Classification Search** D23/360-1,
D23/366; 239/136; 261/DIG. 65; 392/386,
392/405-6

See application file for complete search history.

(56) **References Cited**

U.S. PATENT DOCUMENTS

4,132,883 A * 1/1979 Grime 392/337
4,391,781 A * 7/1983 van Lit 422/125

D433,744 S * 11/2000 Basaganas D23/366
D437,636 S * 2/2001 Basaganas D23/366
D461,549 S * 8/2002 Garcia D23/360
6,996,335 B2 * 2/2006 Zobeles 392/395

* cited by examiner

Primary Examiner—Robin Webster

(74) *Attorney, Agent, or Firm*—Ostrolenk, Faber, Gerb &
Soffen, LLP

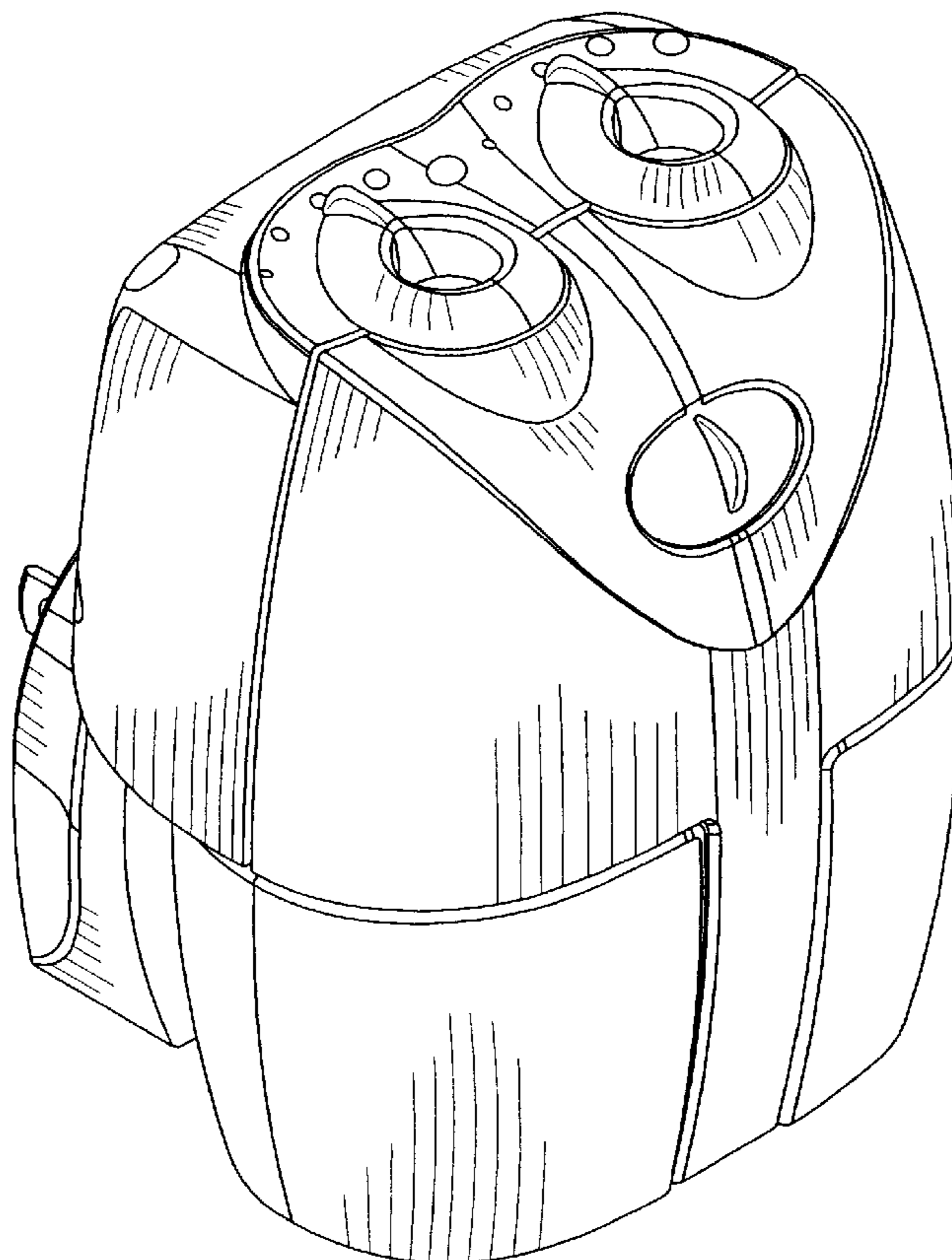
(57) **CLAIM**

The ornamental design for an electric vaporizer, as shown.

DESCRIPTION

FIG. 1 is a front perspective view taken from a left side of
an electric vaporizer showing the new design;
FIG. 2 is a back perspective view thereof;
FIG. 3 is a front view thereof;
FIG. 4 is a left side view thereof;
FIG. 5 is a top plan view thereof;
FIG. 6 is a rear view thereof;
FIG. 7 is a right side view thereof; and,
FIG. 8 is a front perspective view taken from a right side
thereof.

1 Claim, 8 Drawing Sheets



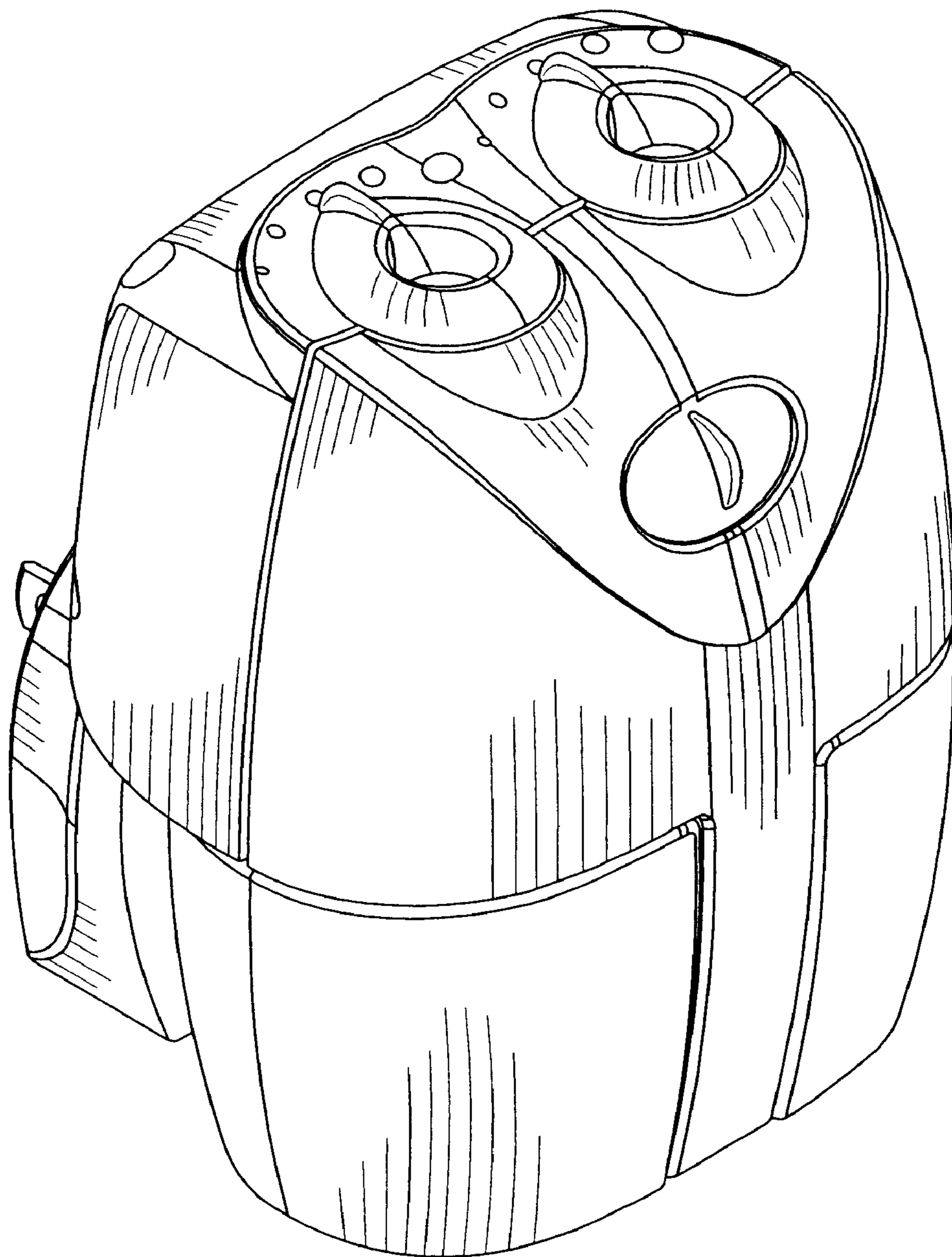


FIG. 1

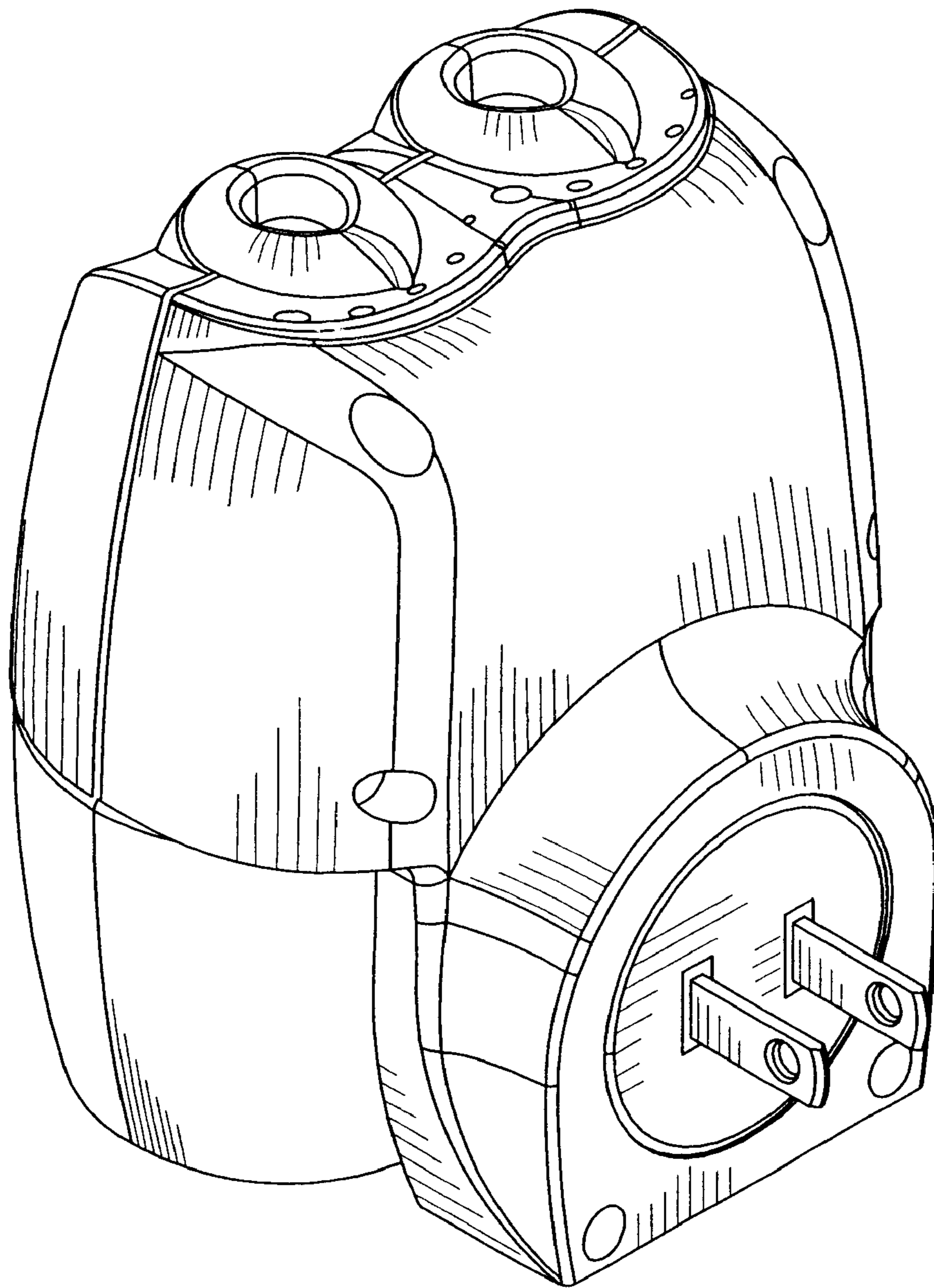


FIG. 2

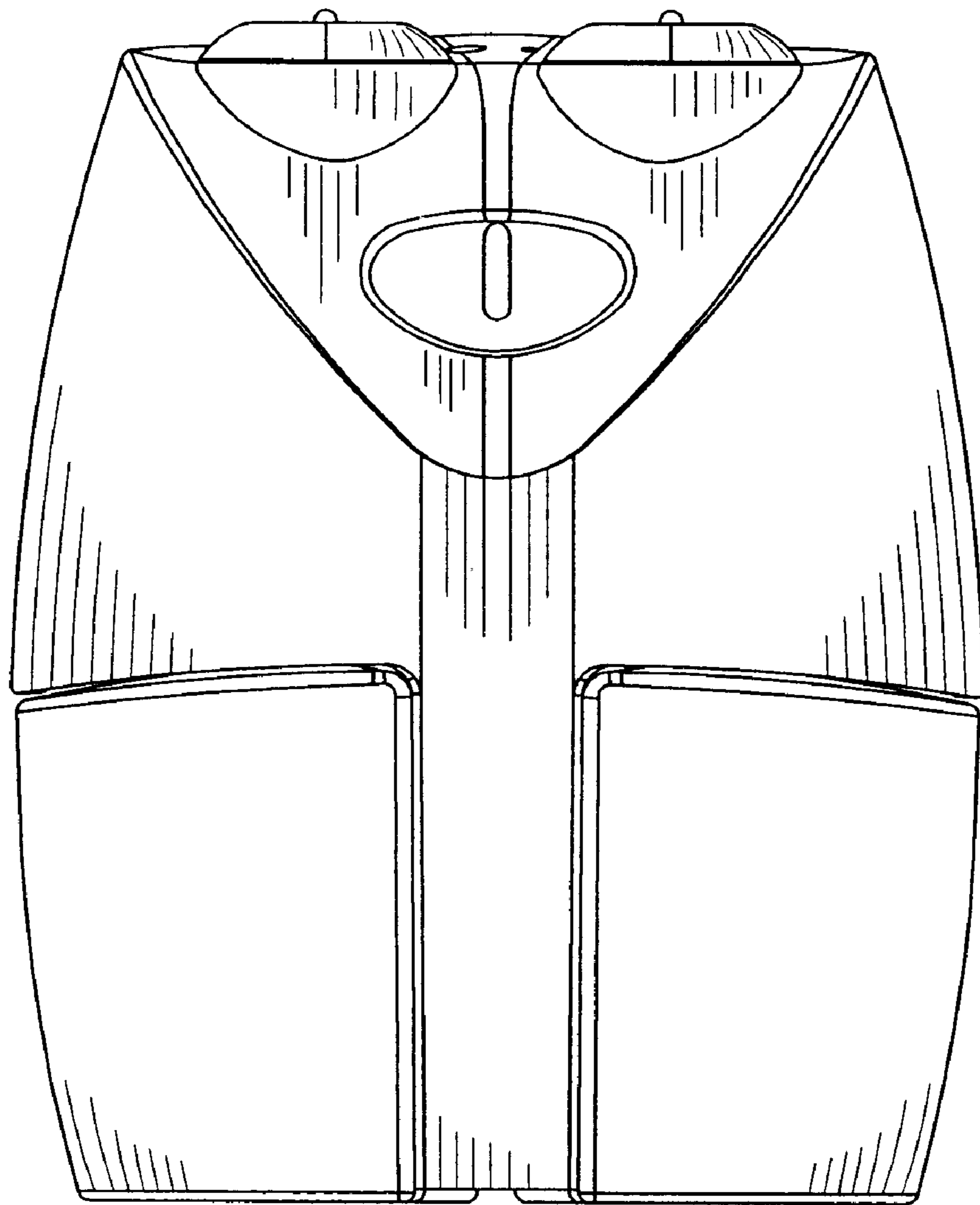


FIG. 3

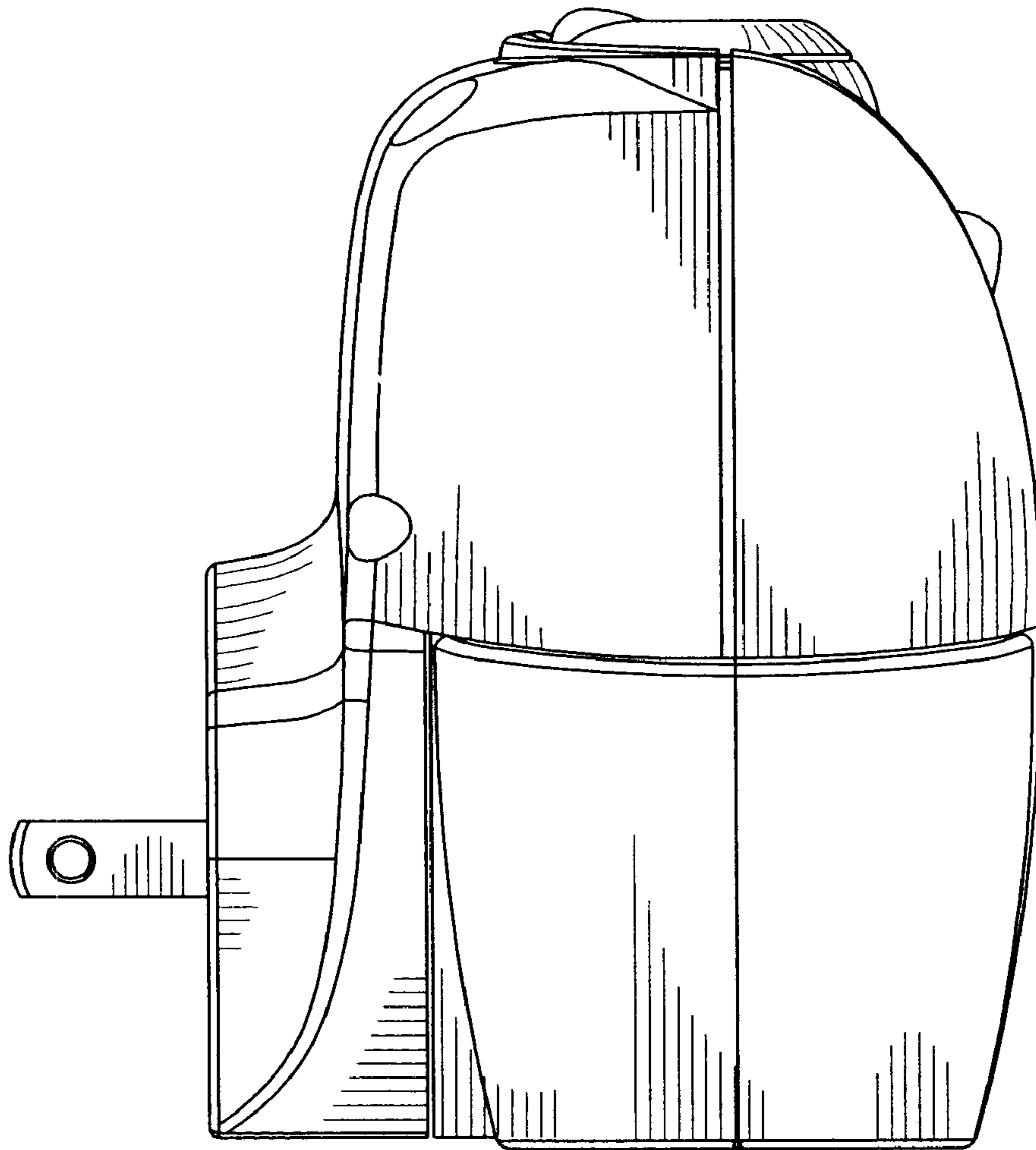


FIG. 4

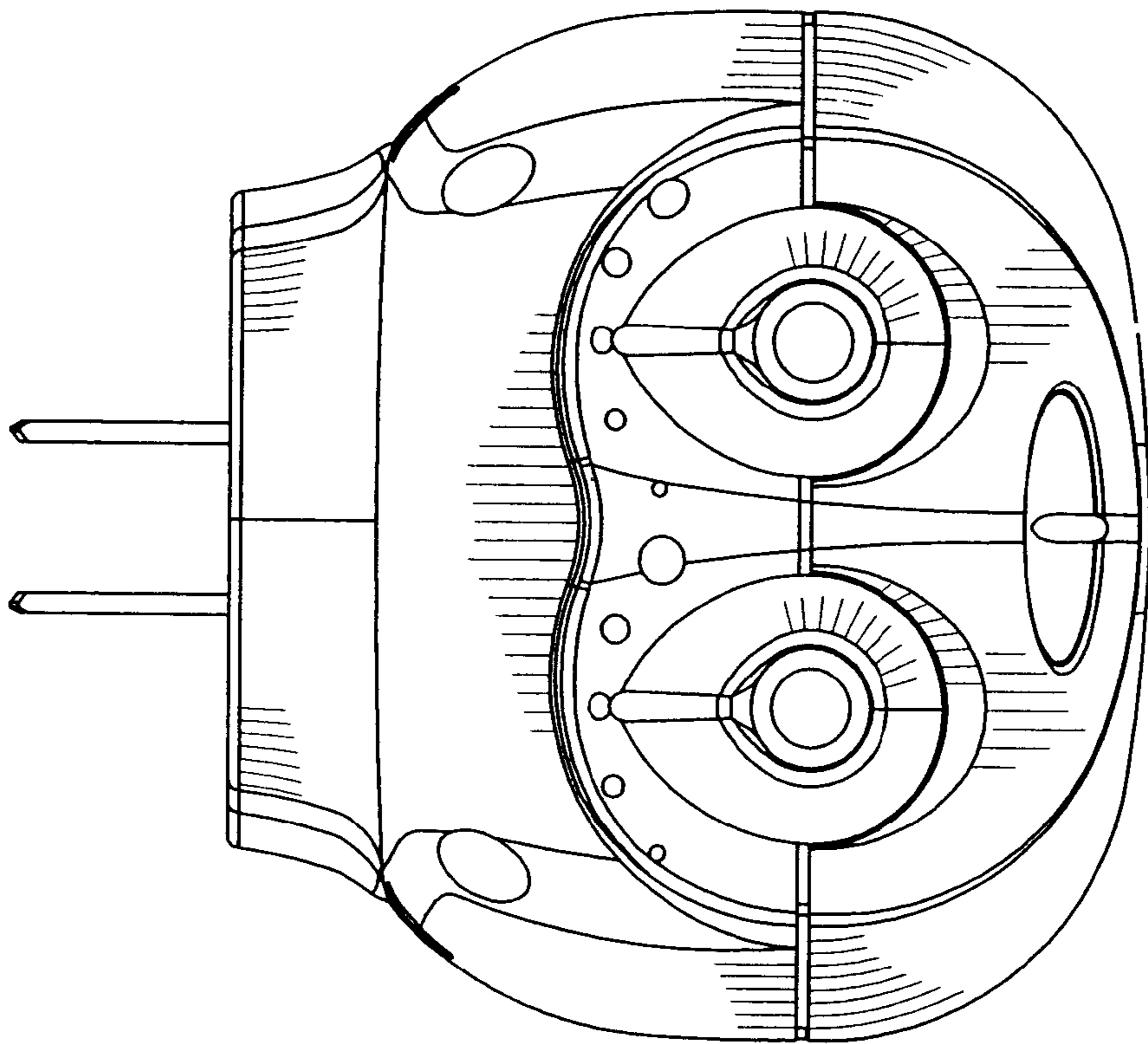


FIG. 5

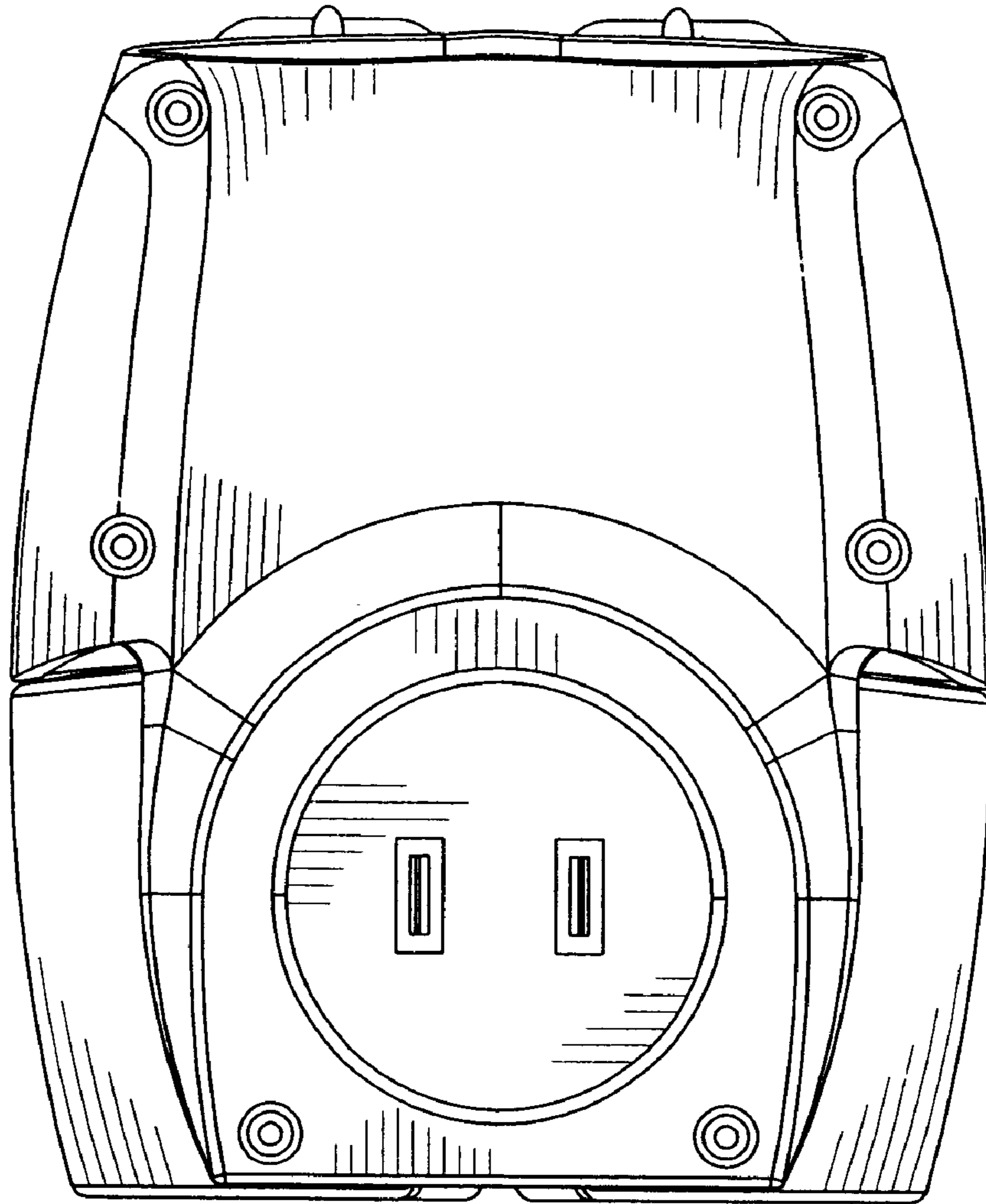


FIG. 6

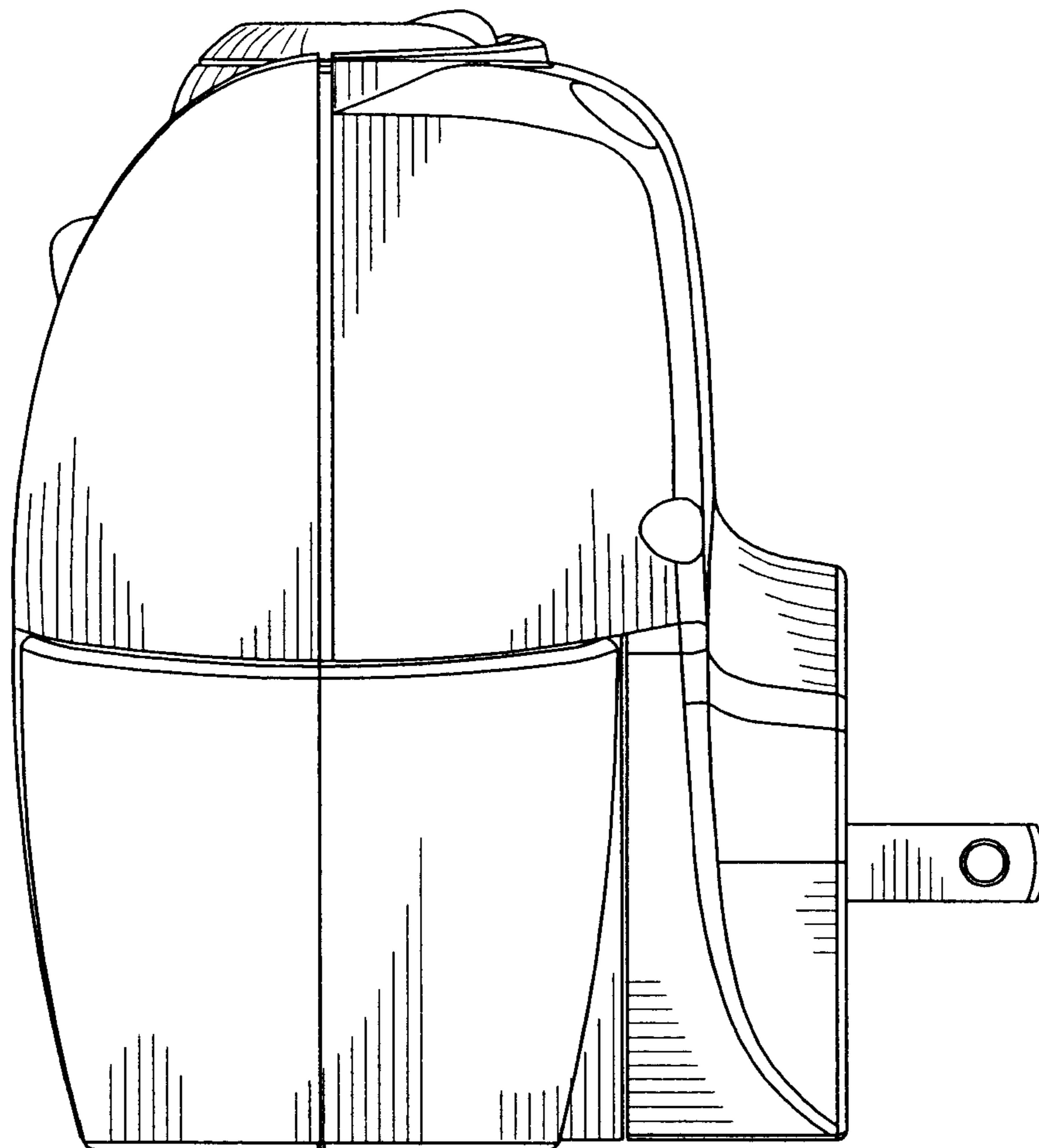


FIG. 7

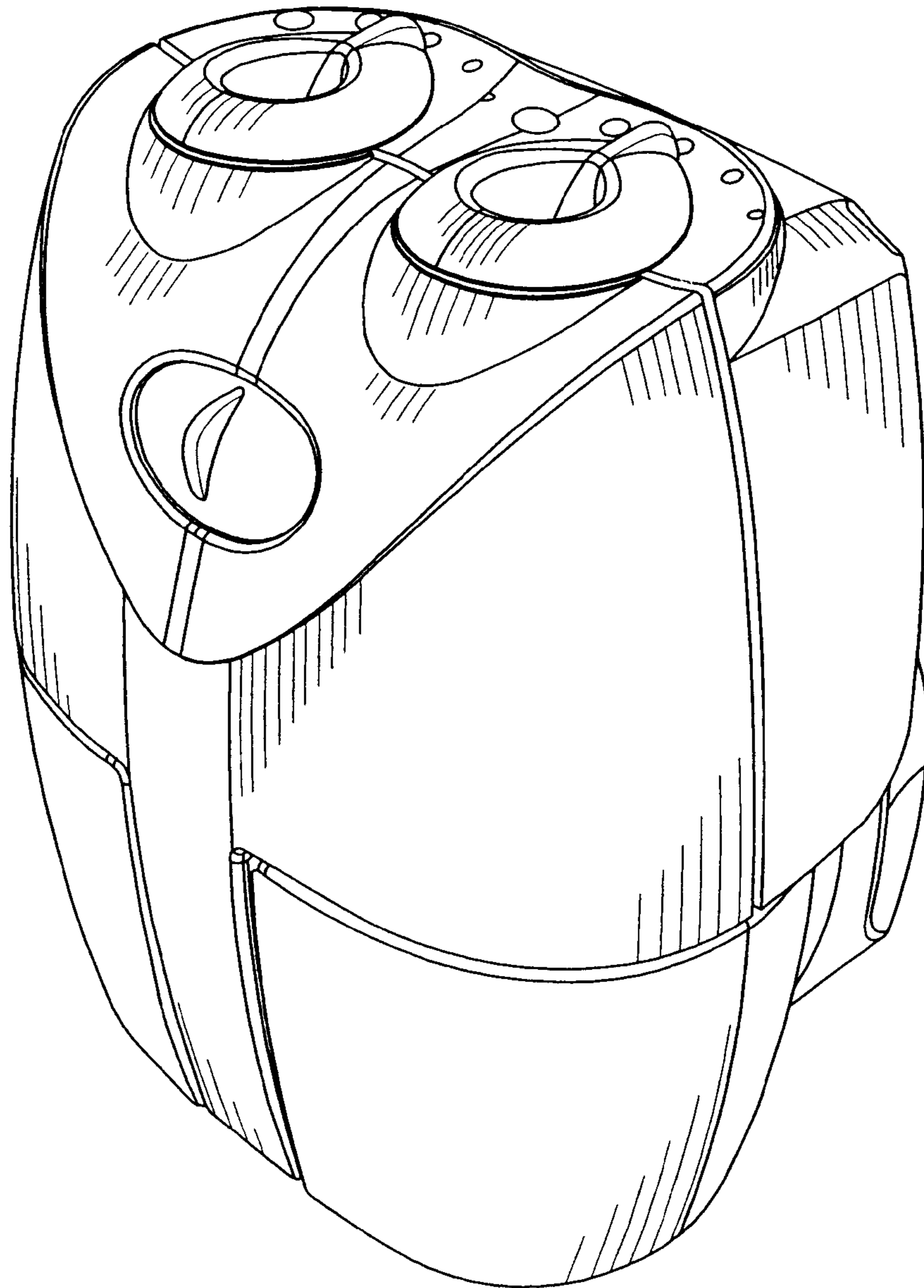


FIG. 8