



US00D542902S

(12) **United States Design Patent**  
**Caserta et al.**

(10) **Patent No.:** **US D542,902 S**

(45) **Date of Patent:** **\*\* May 15, 2007**

(54) **ELECTRIC VAPORIZER**

(75) Inventors: **Andrea Caserta**, Barcelona (ES);  
**Ruben Garcia Fabrega**, Barcelona  
(ES); **Joan Gusi Hidalgo**, Barcelona  
(ES); **Richard Tomas Vilarasa**,  
Barcelona (ES)

(73) Assignee: **Zobebe Espana S.A.** (ES)

(\*\*) Term: **14 Years**

(21) Appl. No.: **29/243,967**

(22) Filed: **Dec. 2, 2005**

(51) **LOC (8) Cl.** ..... **23-04**

(52) **U.S. Cl.** ..... **D23/366; D23/360**

(58) **Field of Classification Search** ..... D23/360-1,  
D23/366; 239/136; 261/DIG. 65; 392/386,  
392/405-6

See application file for complete search history.

(56) **References Cited**

**U.S. PATENT DOCUMENTS**

4,132,883 A \* 1/1979 Grime ..... 392/337  
4,391,781 A \* 7/1983 van Lit ..... 422/125

D433,744 S \* 11/2000 Basaganas ..... D23/366  
D437,636 S \* 2/2001 Basaganas ..... D23/366  
D461,549 S \* 8/2002 Garcia ..... D23/360  
6,996,335 B2 \* 2/2006 Zobebe ..... 392/395

\* cited by examiner

*Primary Examiner*—Robin Webster

(74) *Attorney, Agent, or Firm*—Ostrolenk, Faber, Gerb &  
Soffen, LLP

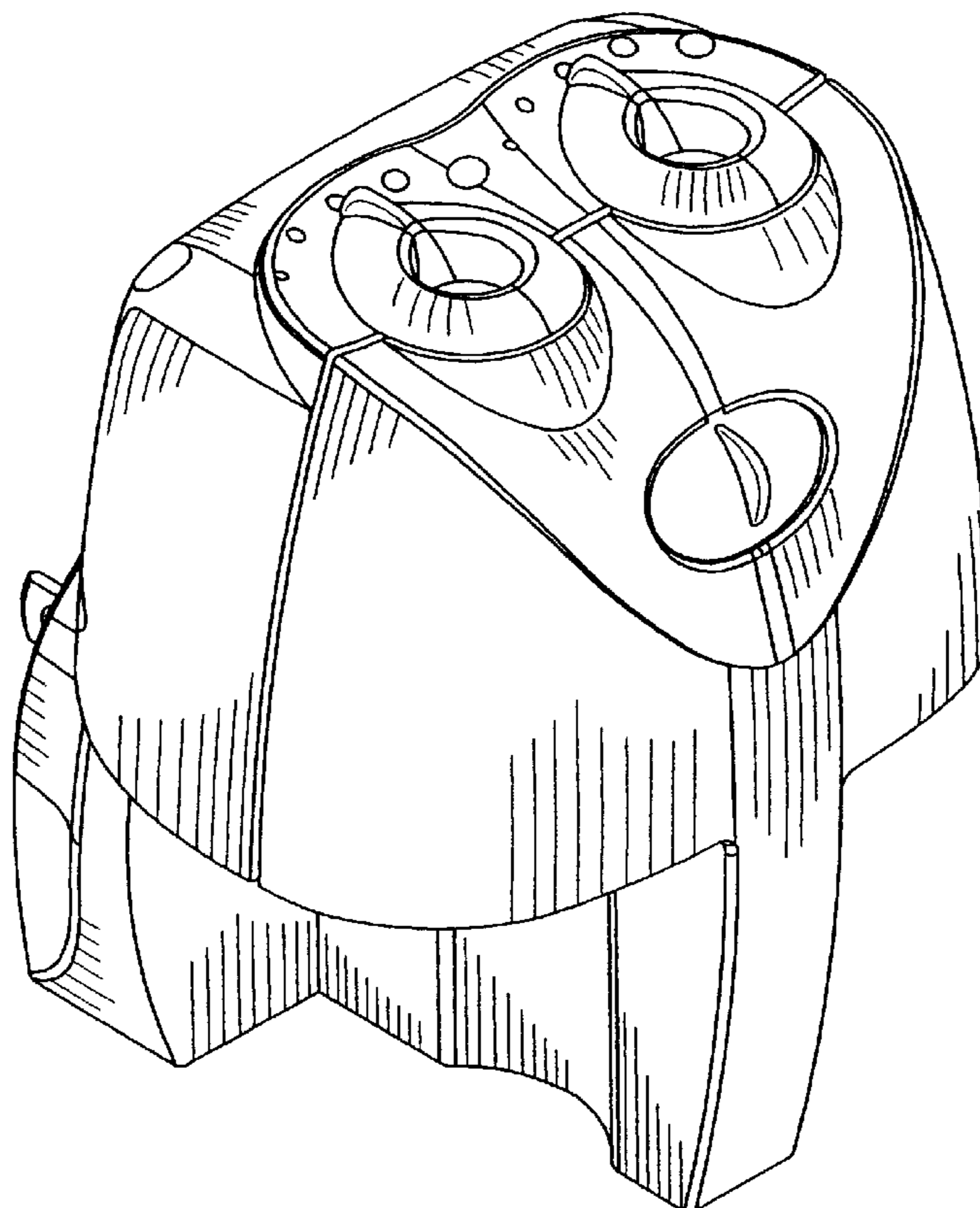
(57) **CLAIM**

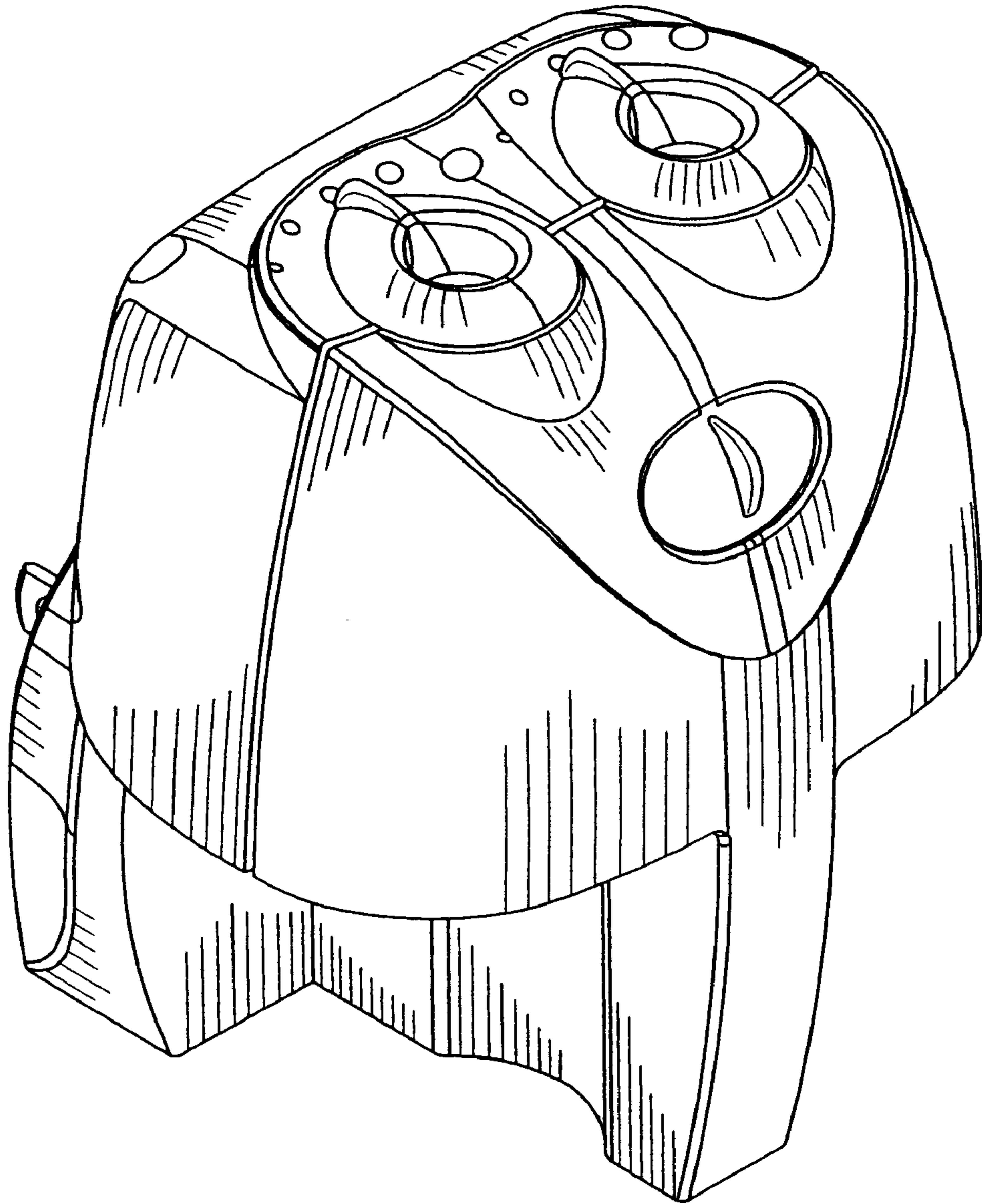
The ornamental design for an electric vaporizer, as shown.

**DESCRIPTION**

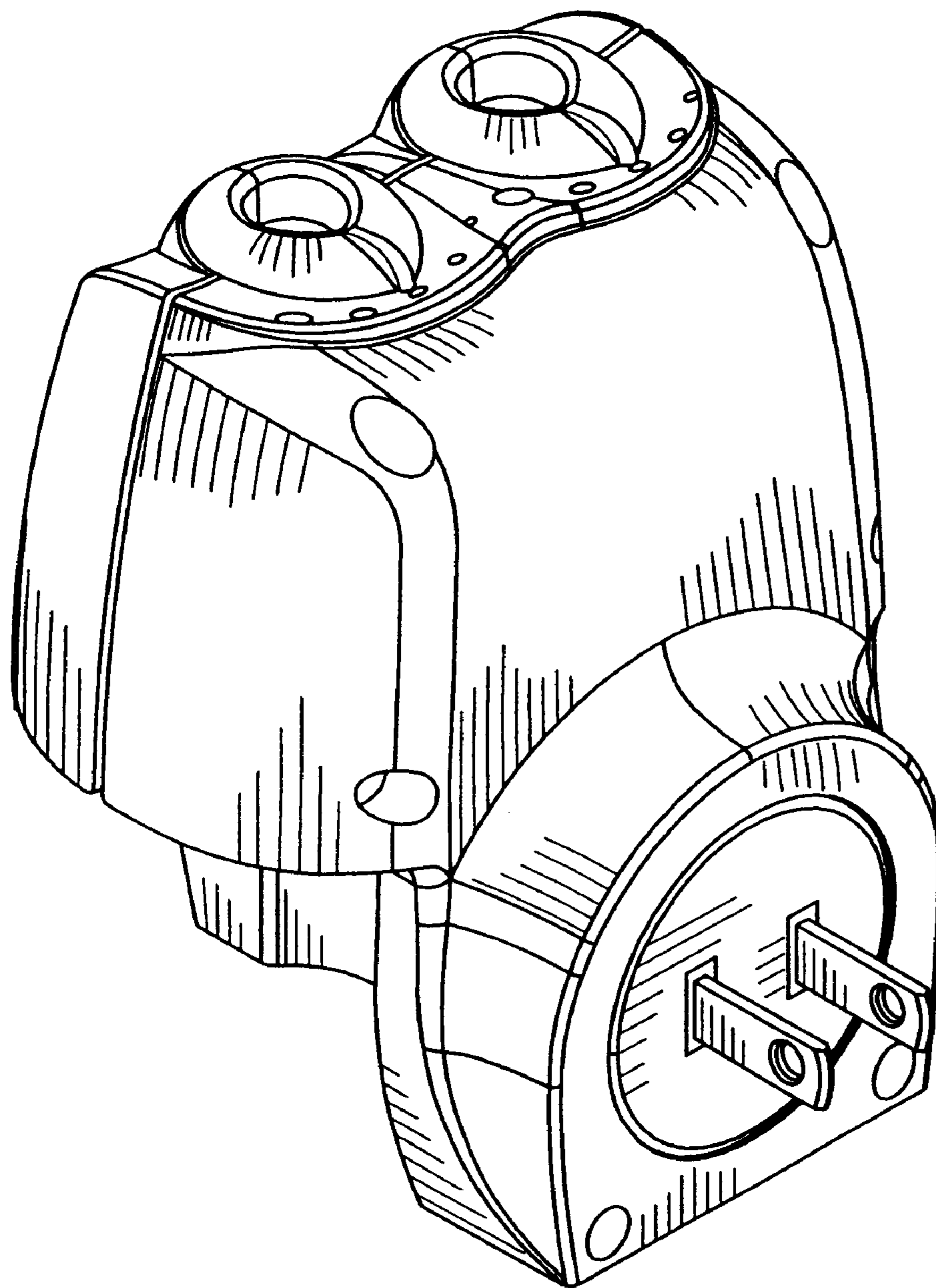
FIG. 1 is a front perspective view taken from a left side of  
an electric vaporizer showing the new design;  
FIG. 2 is a back perspective view thereof;  
FIG. 3 is a front view thereof;  
FIG. 4 is a left side view thereof;  
FIG. 5 is a top plan view thereof;  
FIG. 6 is a rear view thereof;  
FIG. 7 is a right side view thereof; and,  
FIG. 8 is a front perspective view taken from a right side  
thereof.

**1 Claim, 8 Drawing Sheets**

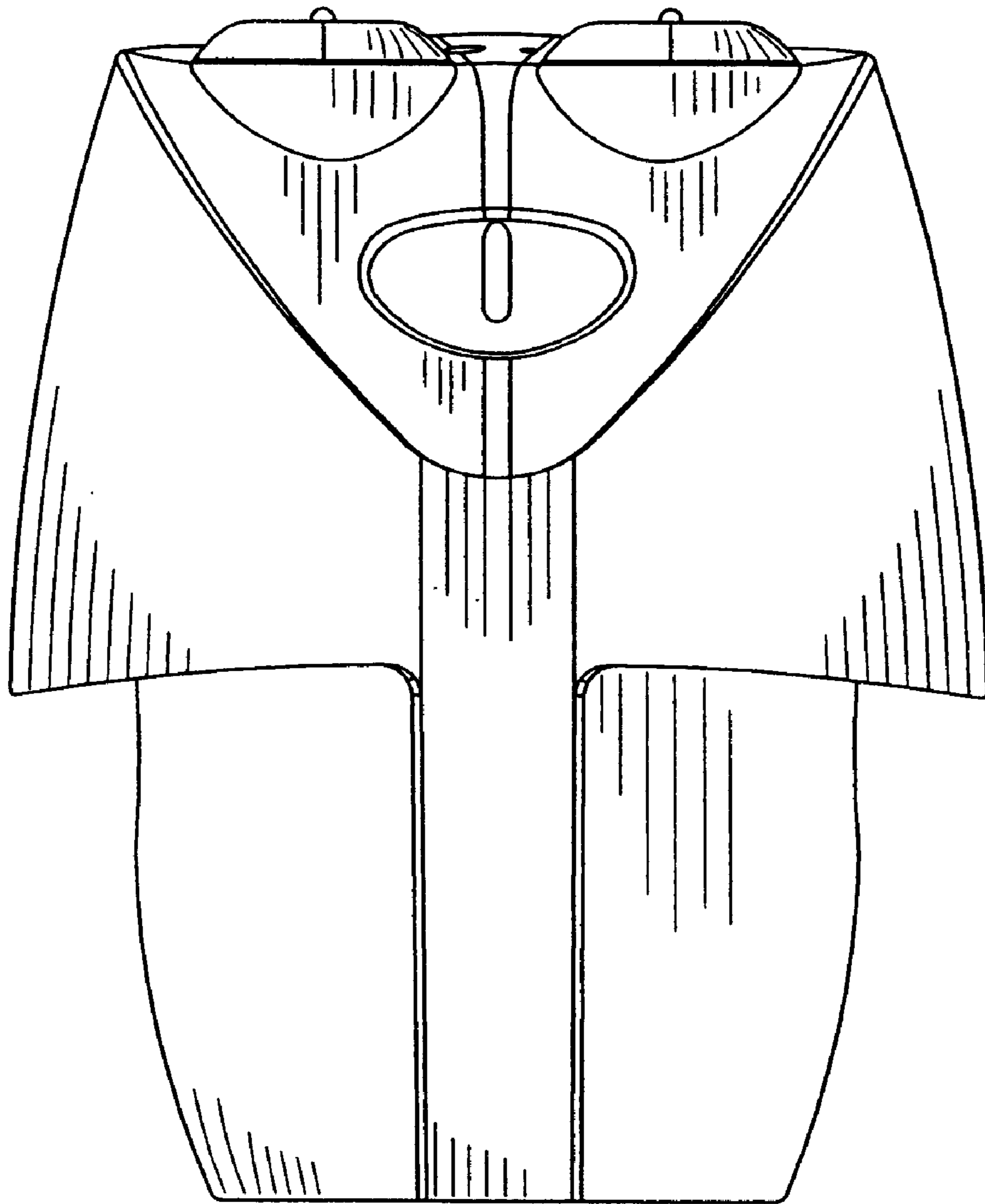




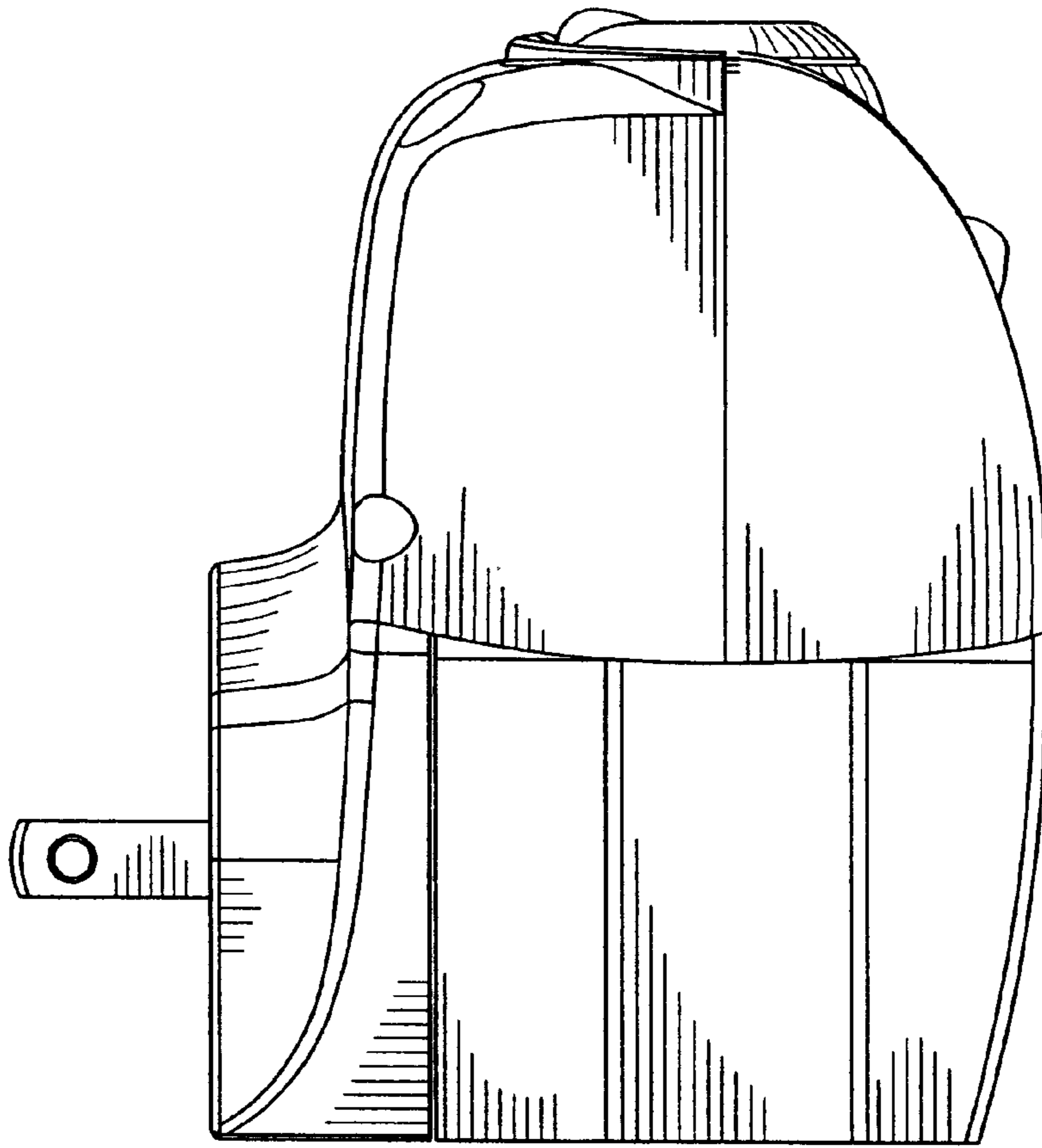
**FIG. 1**



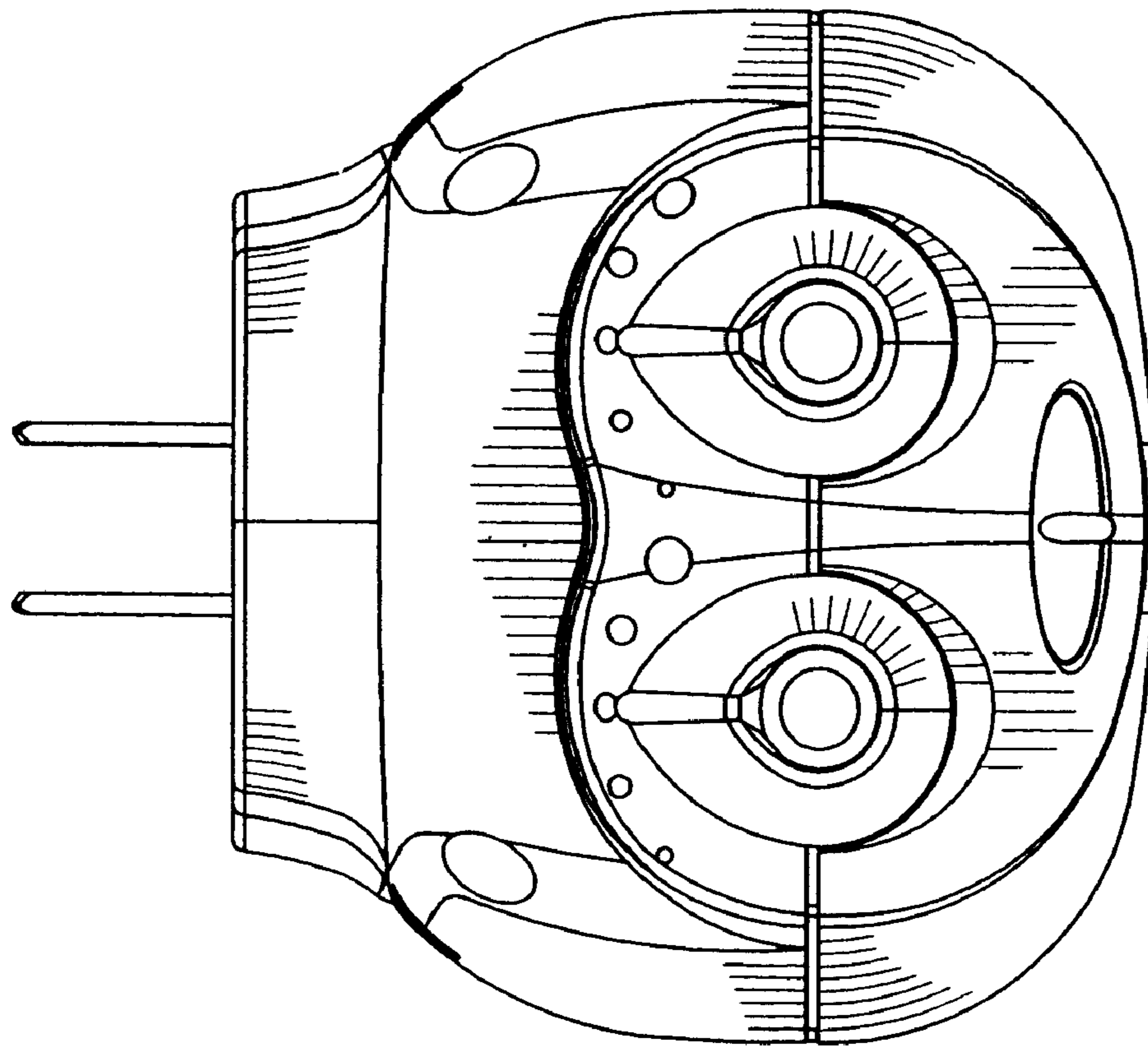
**FIG. 2**



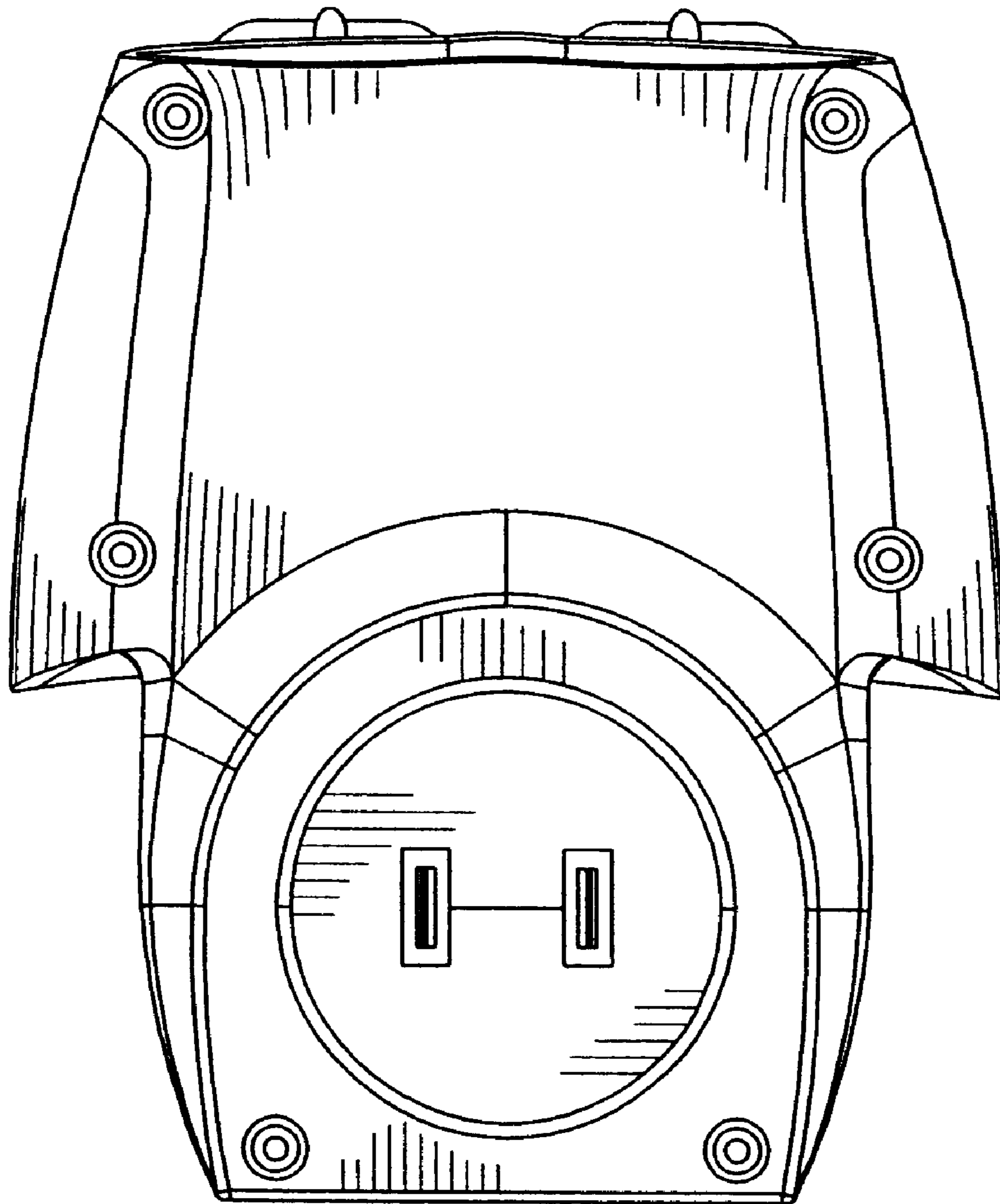
**FIG. 3**



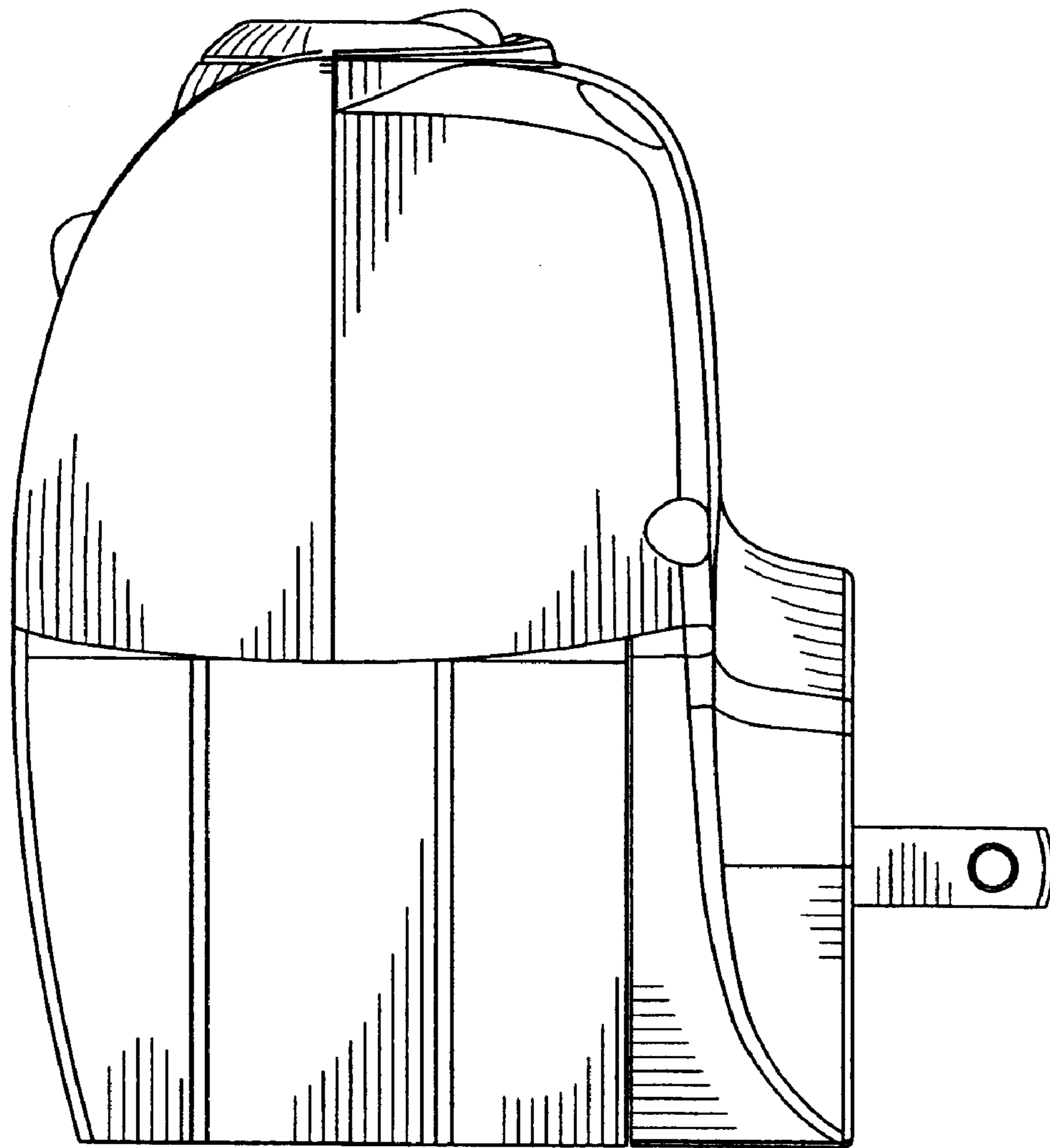
**FIG. 4**



**FIG. 5**

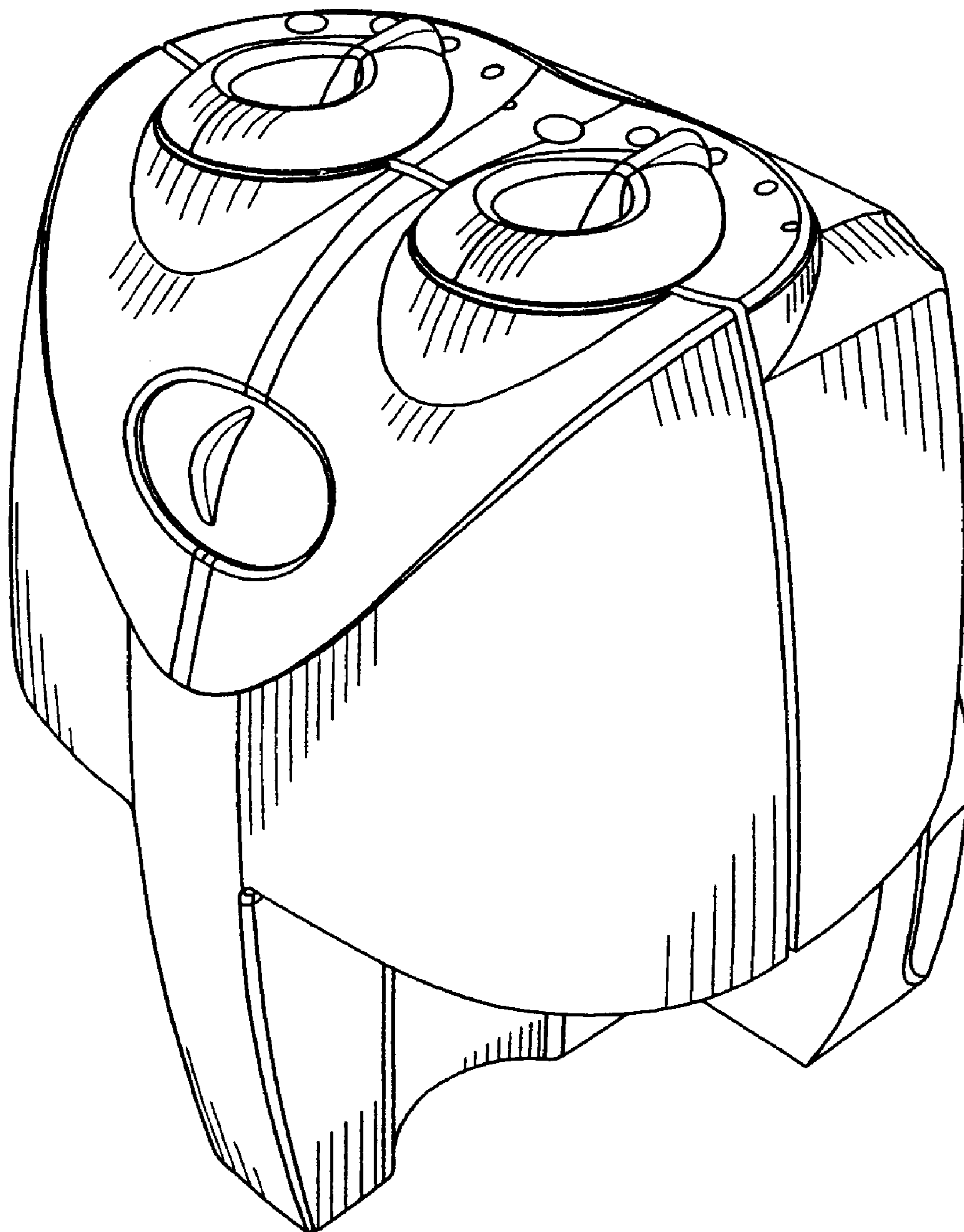


**FIG. 6**



**FIG. 7**





**FIG. 8**