



US00D542899S

(12) **United States Design Patent**  
**Grozich**

(10) **Patent No.:** **US D542,899 S**

(45) **Date of Patent:** **\*\* May 15, 2007**

(54) **AIR CONDITIONER MANIFOLD**

(75) Inventor: **Glenn Grozich**, Hinsdale, IL (US)

(73) Assignee: **Billet Specialties, Inc.**, La Grange, IL (US)

(\*\*) Term: **14 Years**

(21) Appl. No.: **29/223,678**

(22) Filed: **Feb. 18, 2005**

(51) **LOC (8) Cl.** ..... **23-04**

(52) **U.S. Cl.** ..... **D23/354**

(58) **Field of Classification Search** ..... D23/351,  
D23/354; 454/333, 339, 360-362, 330, 358,  
454/309, 313; 137/561 A; 138/37, 40, 44,  
138/111; 285/131.1, 424

See application file for complete search history.

(56) **References Cited**

**U.S. PATENT DOCUMENTS**

D459,455 S \* 6/2002 Twito ..... D23/354  
D465,565 S \* 11/2002 Twito ..... D23/354

\* cited by examiner

*Primary Examiner*—Brian N Vinson

(74) *Attorney, Agent, or Firm*—Neal, Gerber & Eisenberg LLP

(57) **CLAIM**

The ornamental design for an air conditioner manifold, as shown and described.

**DESCRIPTION**

FIG. 1 is a perspective view of the air conditioner manifold of the present invention;

FIG. 2 is a front elevational view of the air conditioner manifold shown in FIG. 1;

FIG. 3 is a rear elevational view of the air conditioner manifold shown in FIG. 1;

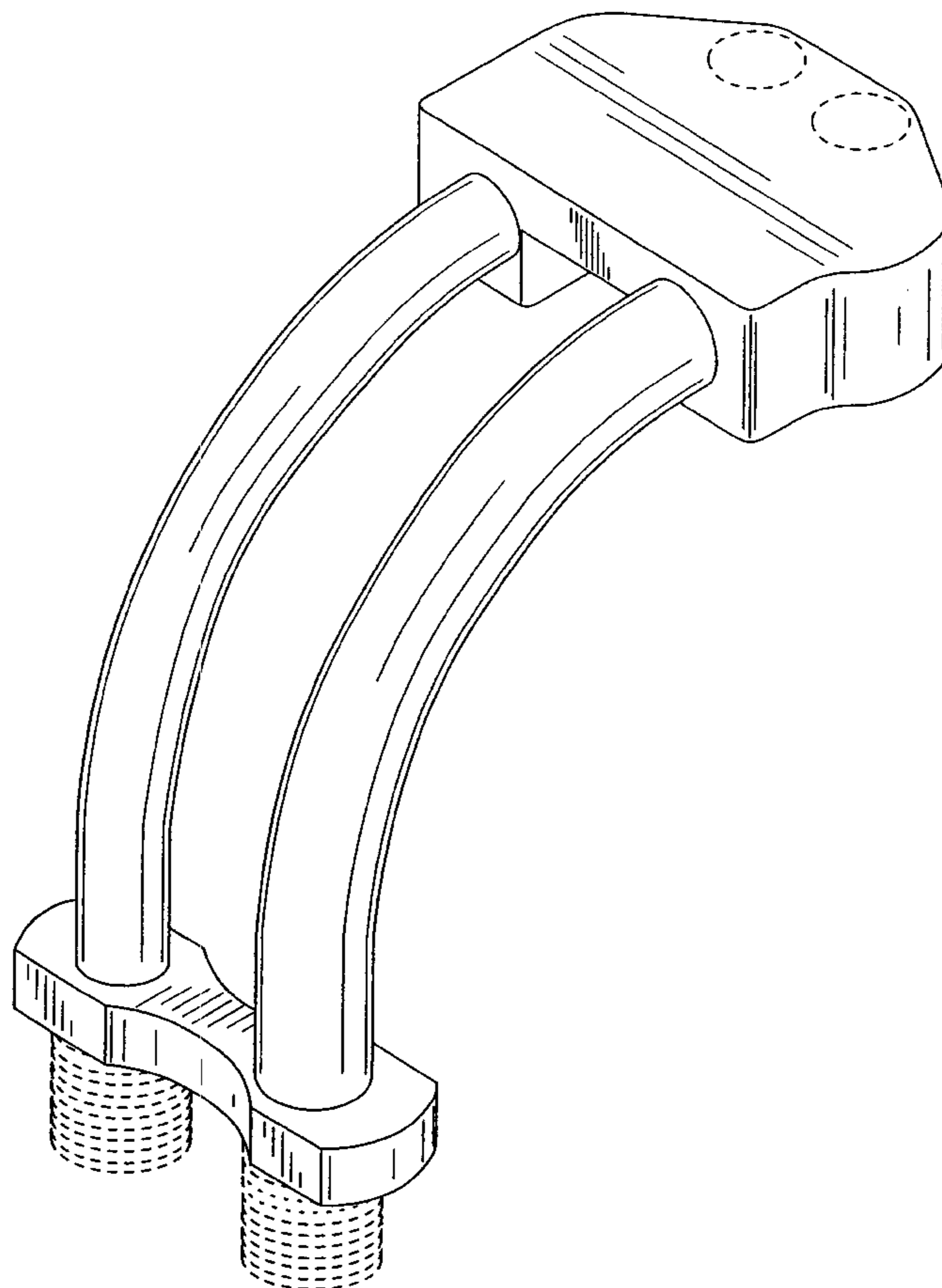
FIG. 4 is a top plan view of the air conditioner manifold shown in FIG. 1;

FIG. 5 is a bottom plan view of the air conditioner manifold shown in FIG. 1;

FIG. 6 is a side elevational view of the air conditioner manifold shown in FIG. 1; and,

FIG. 7 is another side elevational view of the air conditioner manifold shown in FIG. 1, from the opposite side.

**1 Claim, 5 Drawing Sheets**



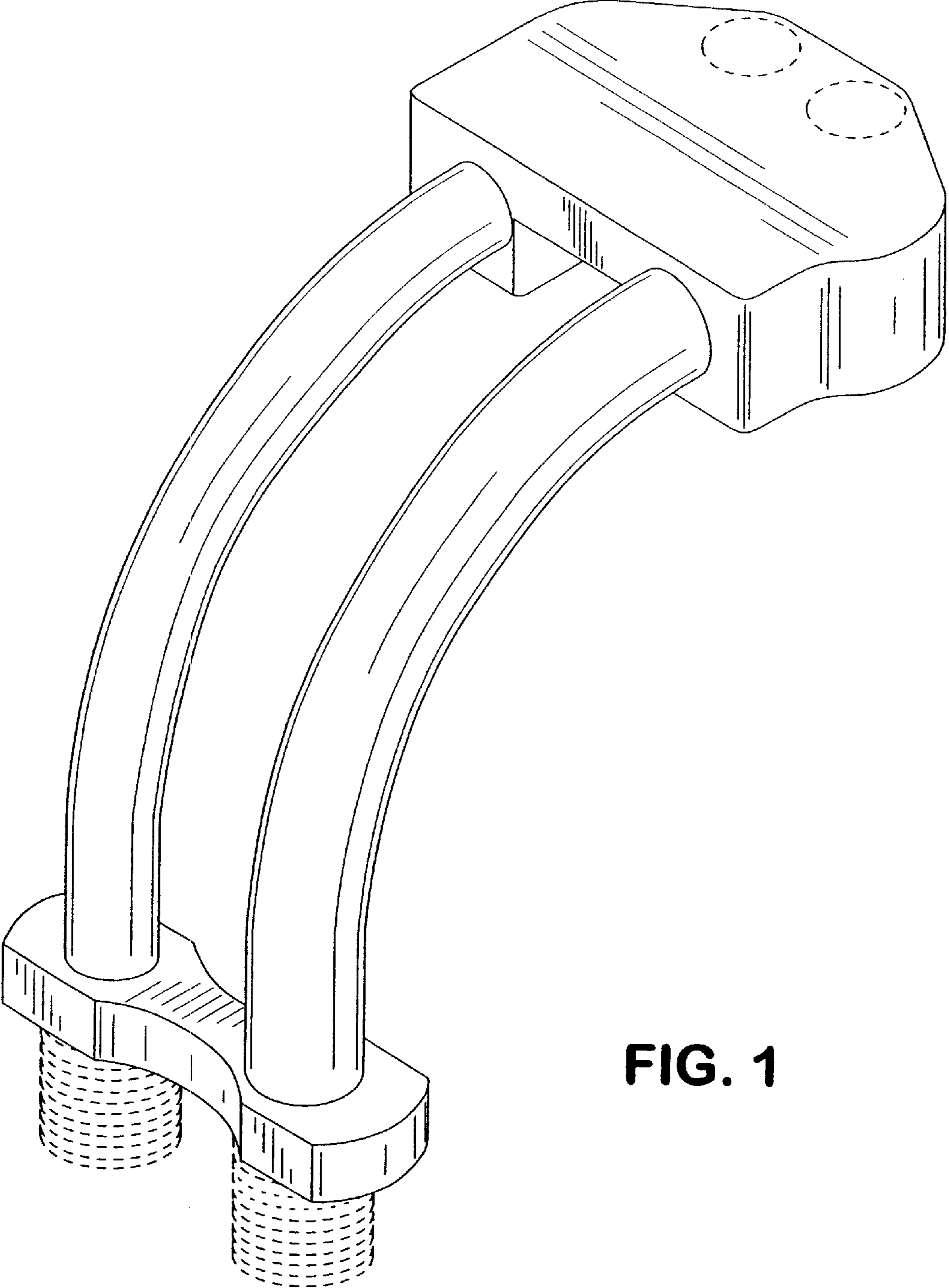


FIG. 1

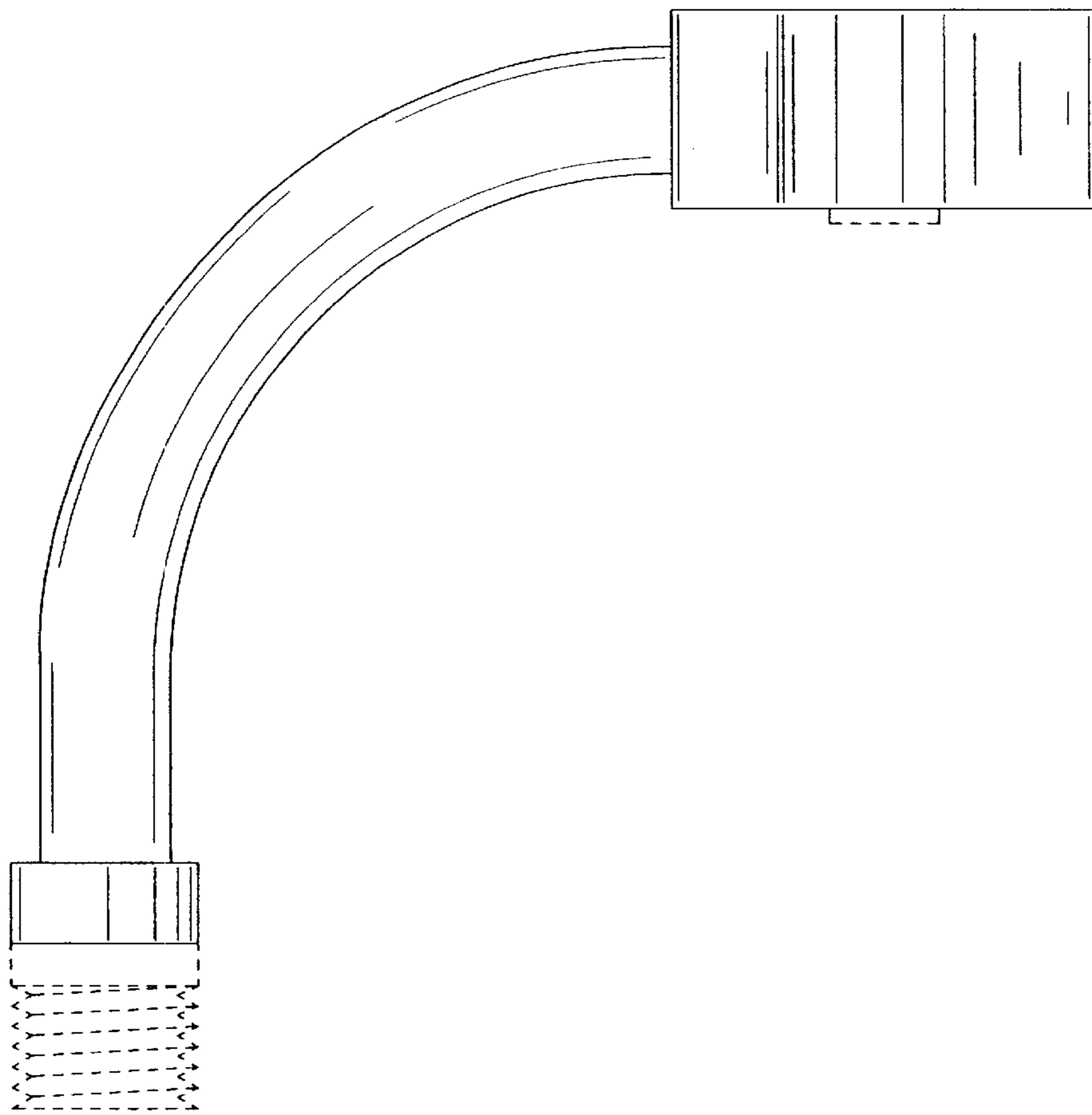


FIG. 2

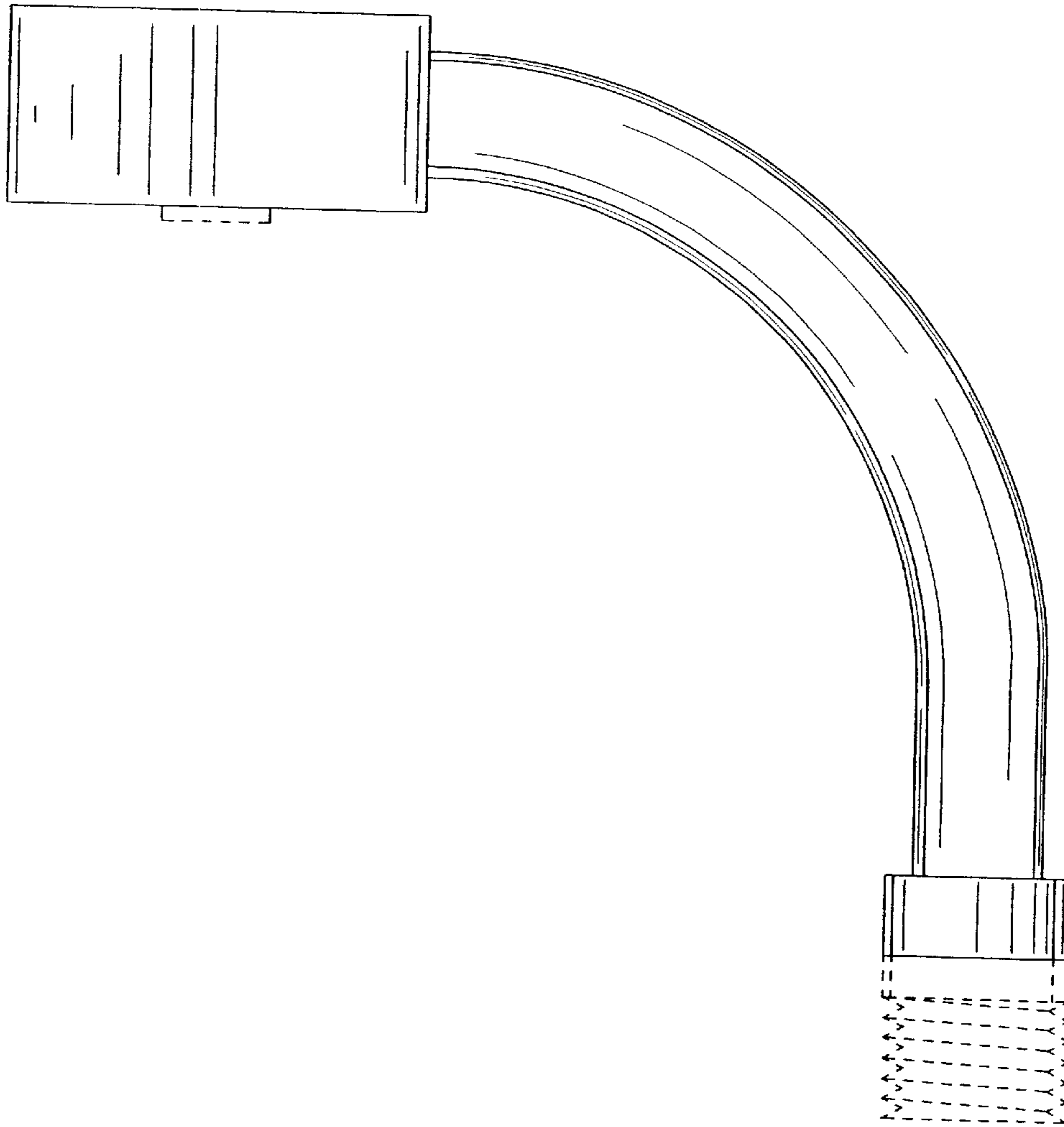
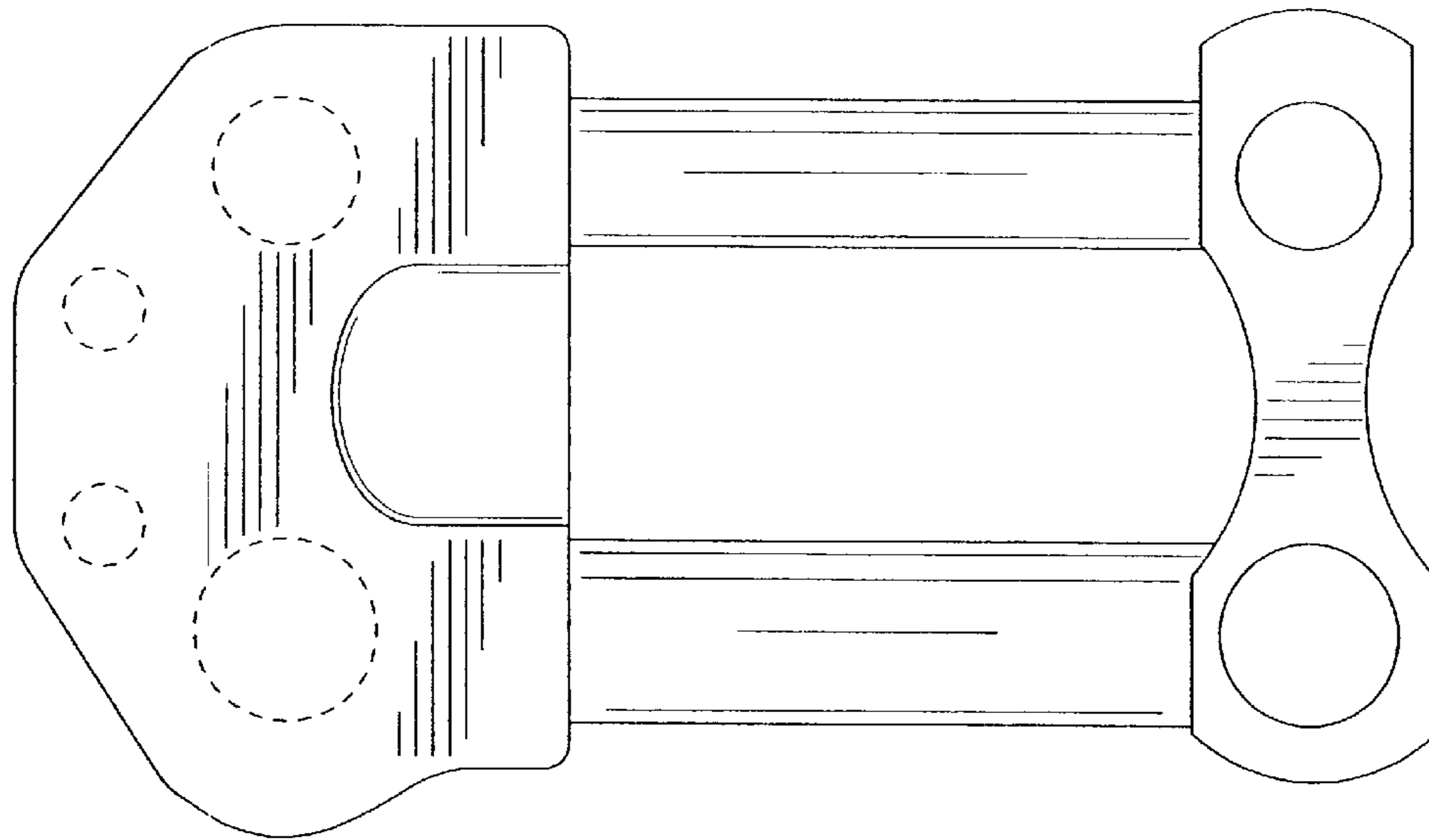
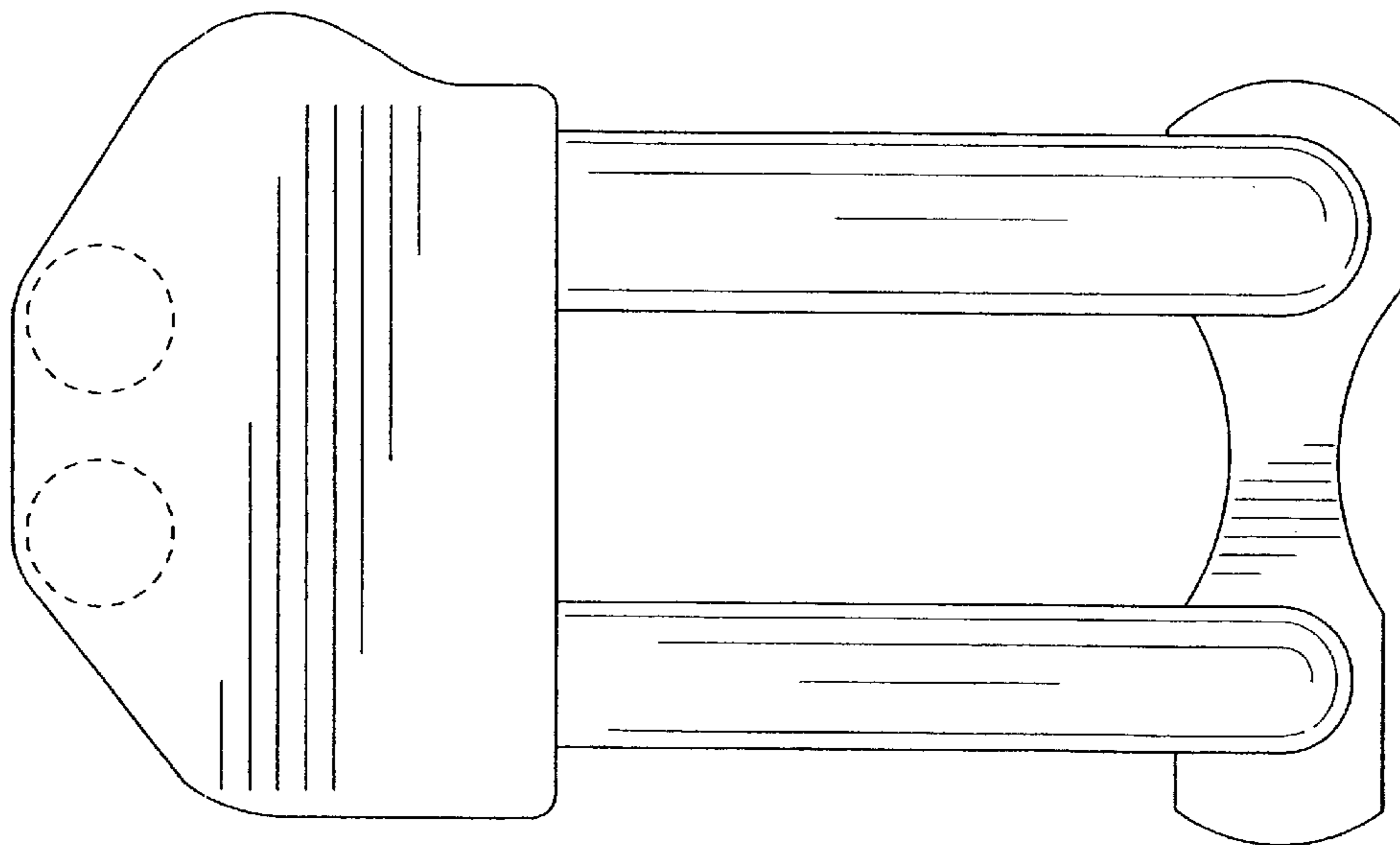


FIG. 3



**FIG. 5**



**FIG. 4**

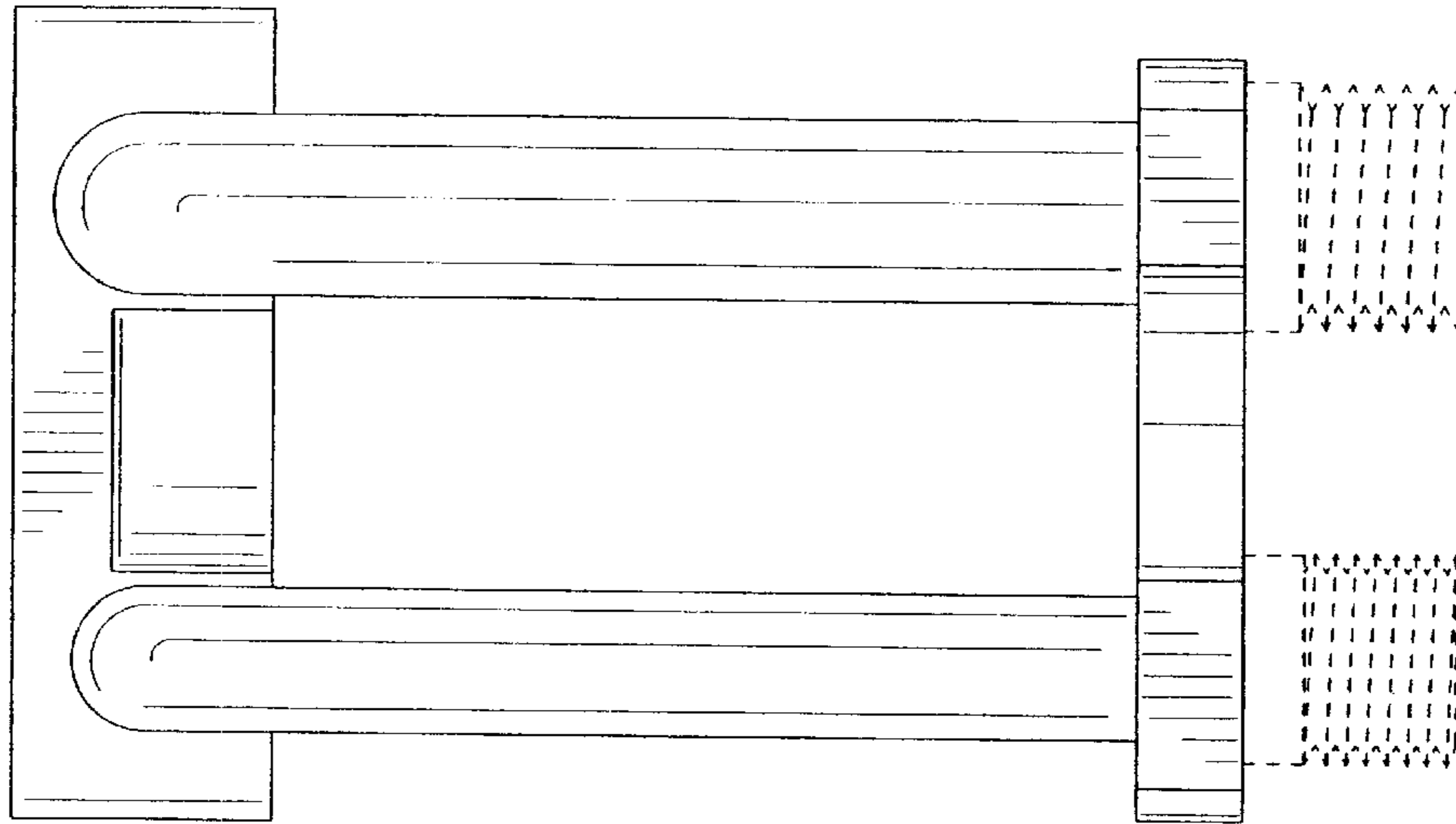


FIG. 7

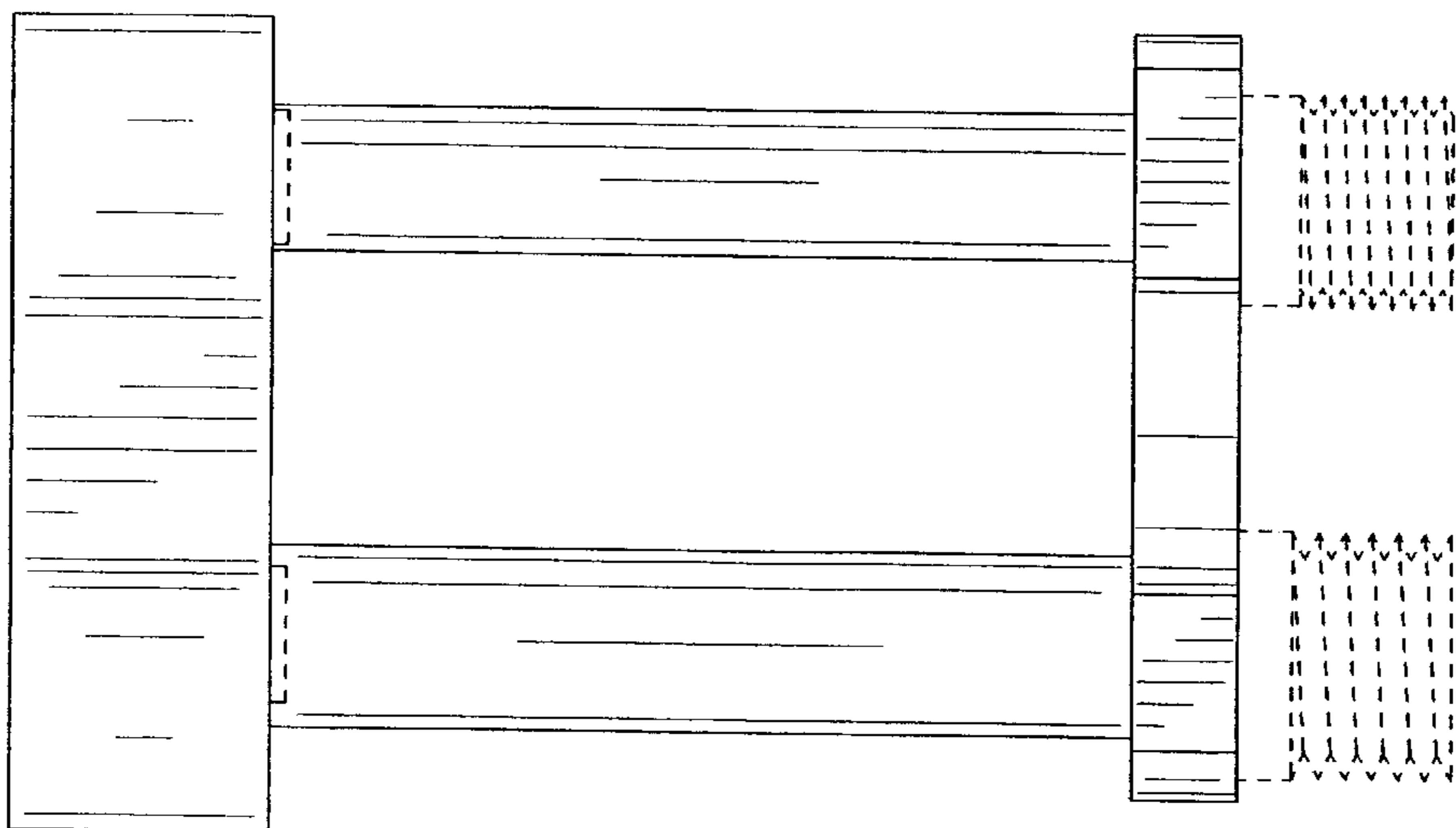


FIG. 6