



US00D542896S

(12) **United States Design Patent** (10) **Patent No.:** **US D542,896 S**
Dolan (45) **Date of Patent:** **** May 15, 2007**

(54) **PEDESTAL LAVATORY**

(76) Inventor: **Patrick S. Dolan**, 2700 NW. Front Ave., Portland, OR (US) 97210

(**) Term: **14 Years**

(21) Appl. No.: **29/264,417**

(22) Filed: **Aug. 8, 2006**

(51) **LOC (8) Cl.** **23-02**

(52) **U.S. Cl.** **D23/292**

(58) **Field of Classification Search** D23/201,
D23/284, 292, 293.1, 303, 308; 4/619, 624,
4/643, 646, 661

See application file for complete search history.

(56) **References Cited**

U.S. PATENT DOCUMENTS

D289,792 S 5/1987 Hardion
D498,832 S * 11/2004 Bates D23/292
D499,470 S * 12/2004 Garza D23/292

OTHER PUBLICATIONS

U.S. Appl. No. 29/264,414, filed Aug. 8, 2006, Patrick S. Dolan.
American Standard, Piscataway, NJ, Model 0283-800, as on website: www.needplumbingsupplies.com, Jun. 16, 2006.
Porcher, Atlanta, GA, Model 20348, as on website: www.fixtureuniverse.com, Jun. 16, 2006.

American Standard, Piscataway, NJ, Model 0179.514, as on website: www.needplumbingsupplies.com, Jun. 16, 2006.

Kohler, Kohler, WI, Model K-2013, as on website: www.fixtureuniverse.com, Jun. 16, 2006.

St. Thomas Creations, San Diego, Ca, Model 5130 080 01, as on website: www.homeportfolio.com, Jun. 18, 2006.

* cited by examiner

Primary Examiner—Robert A. Delehanty

(57) **CLAIM**

The ornamental design for a pedestal lavatory, as shown and described.

DESCRIPTION

FIG. 1 is a perspective view thereof;
FIG. 2 is a front elevational view thereof;
FIG. 3 is a right side view, the left side view being a mirror image;

FIG. 4 is a back plan view thereof;

FIG. 5 is a top plan view thereof;

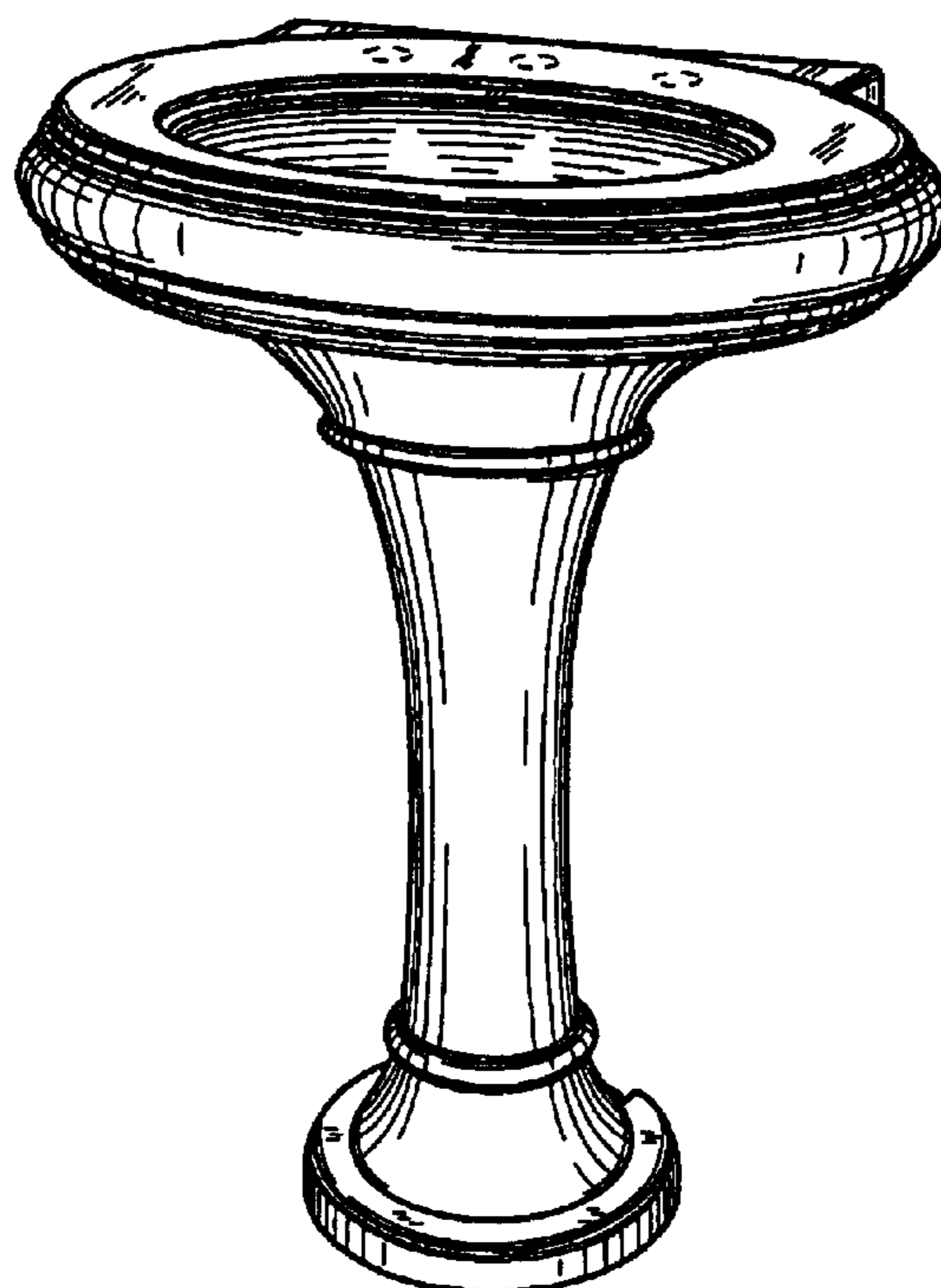
FIG. 6 is a bottom plan view thereof;

FIG. 7 is a cross-sectional view taken along Line 7—7 of FIG. 5; and,

FIG. 8 is a cross-sectional view taken along Line 8—8 of FIG. 5.

The broken line showing of environmental structure is for illustrative purposes only and forms no part of the claimed design.

1 Claim, 8 Drawing Sheets



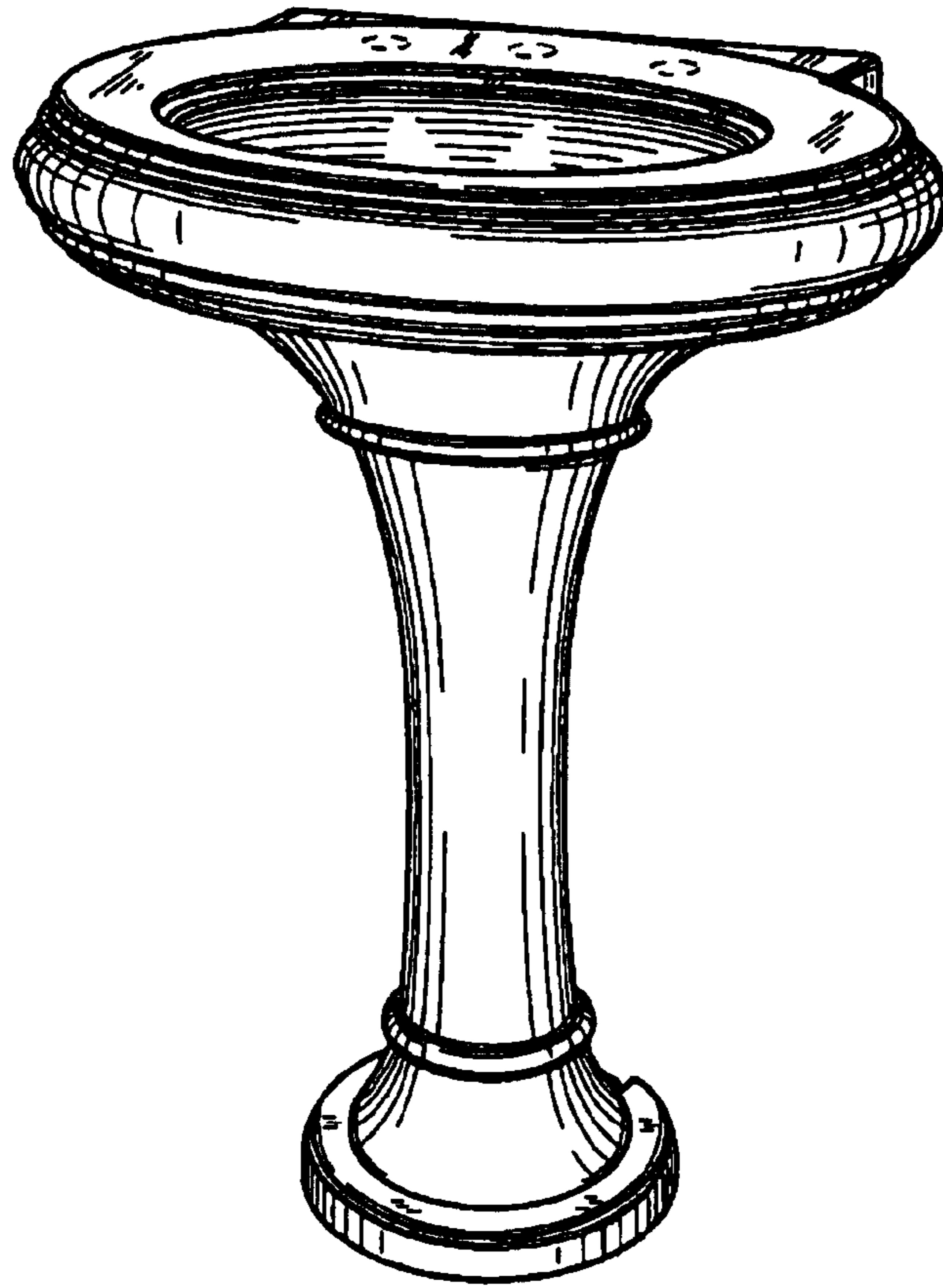


FIG. 1

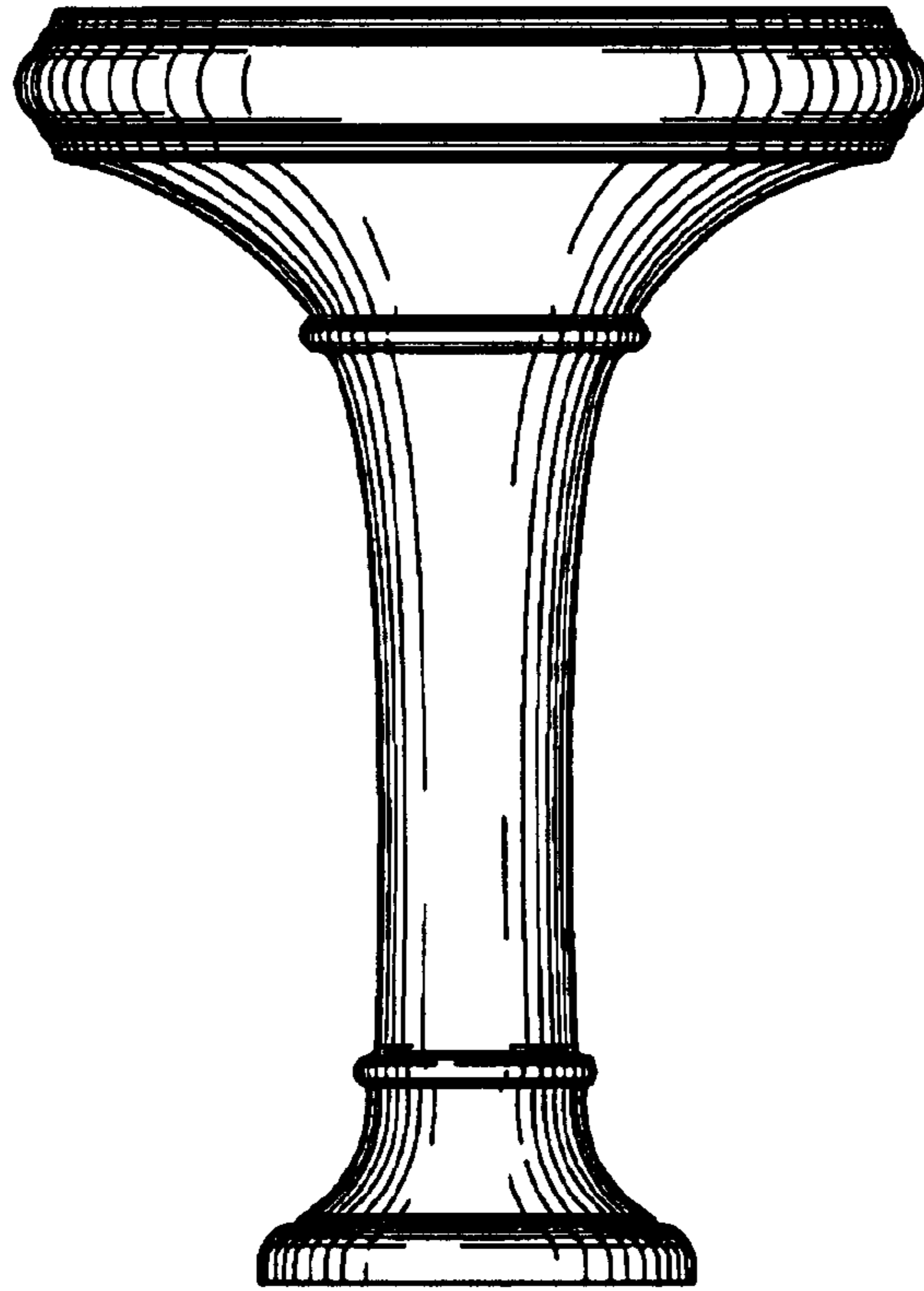


FIG. 2

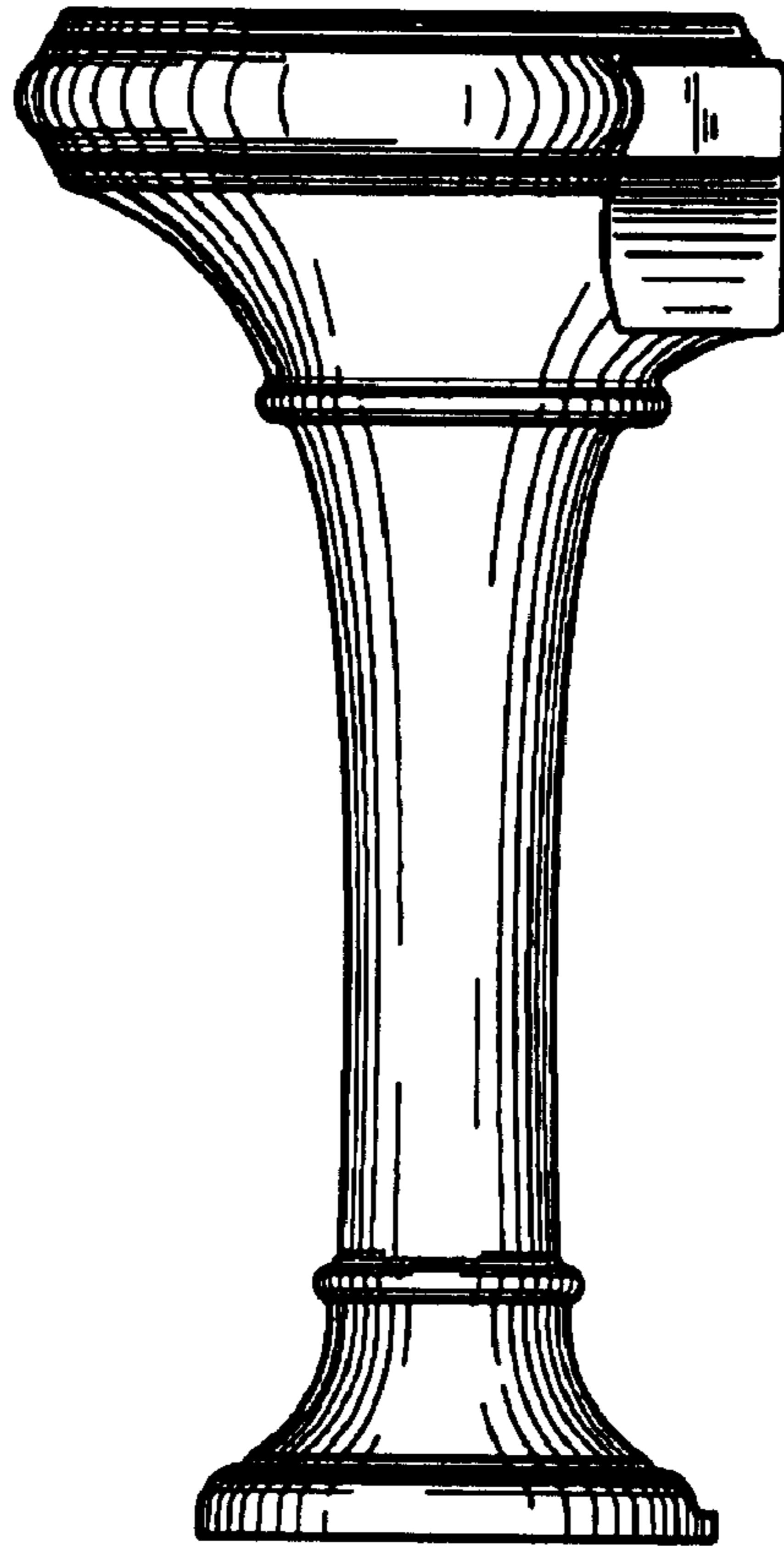


FIG. 3

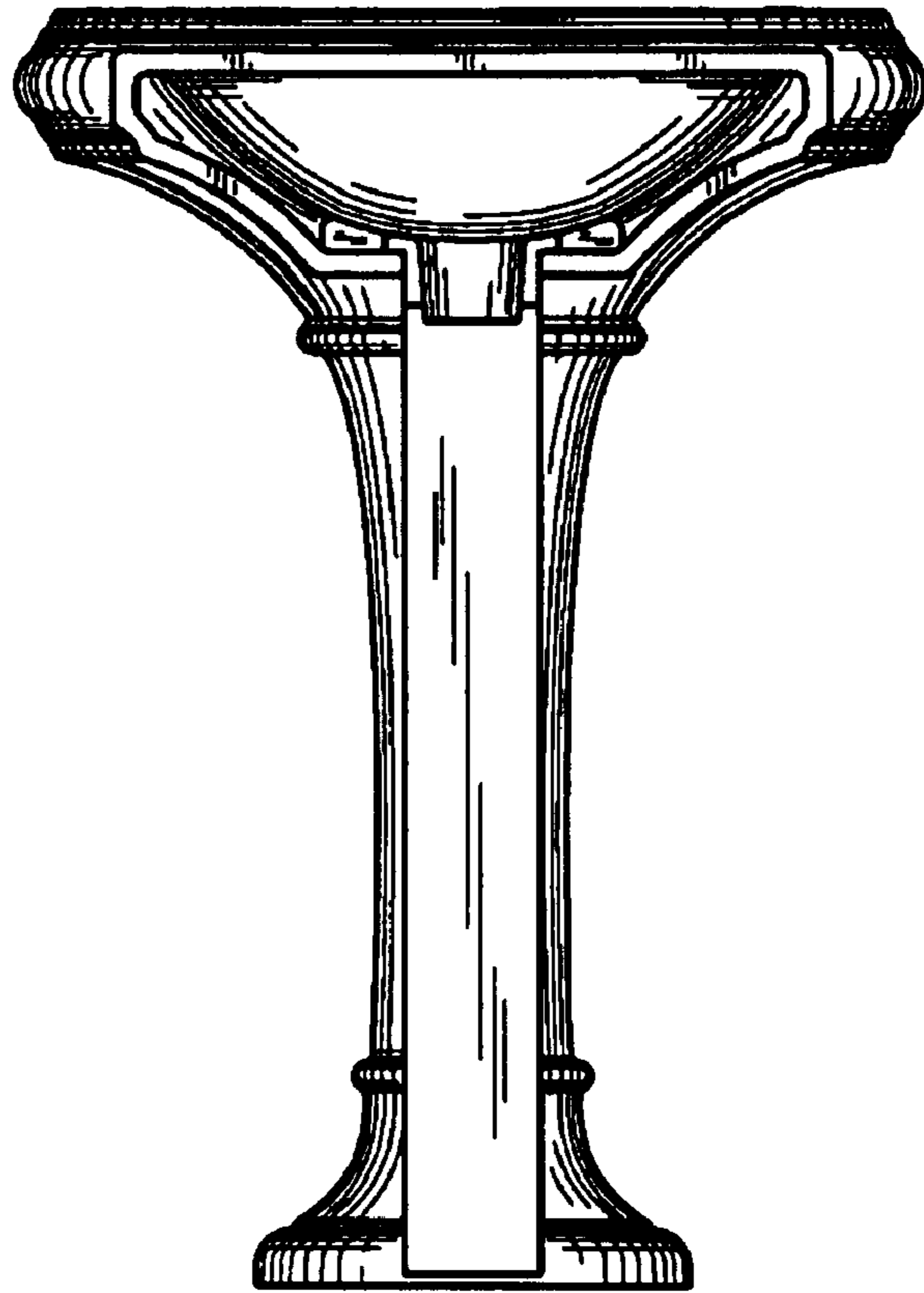


FIG. 4

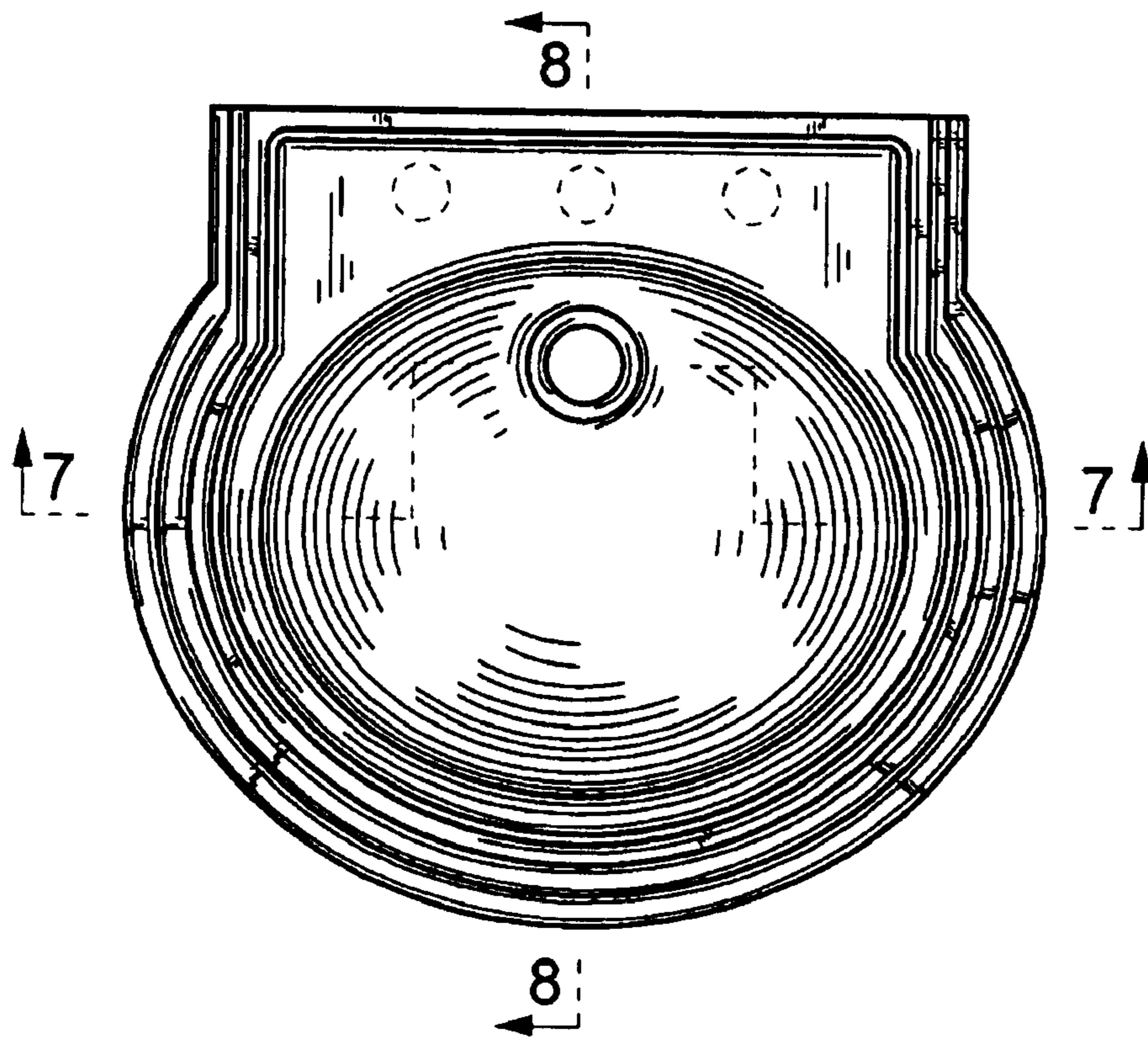


FIG. 5

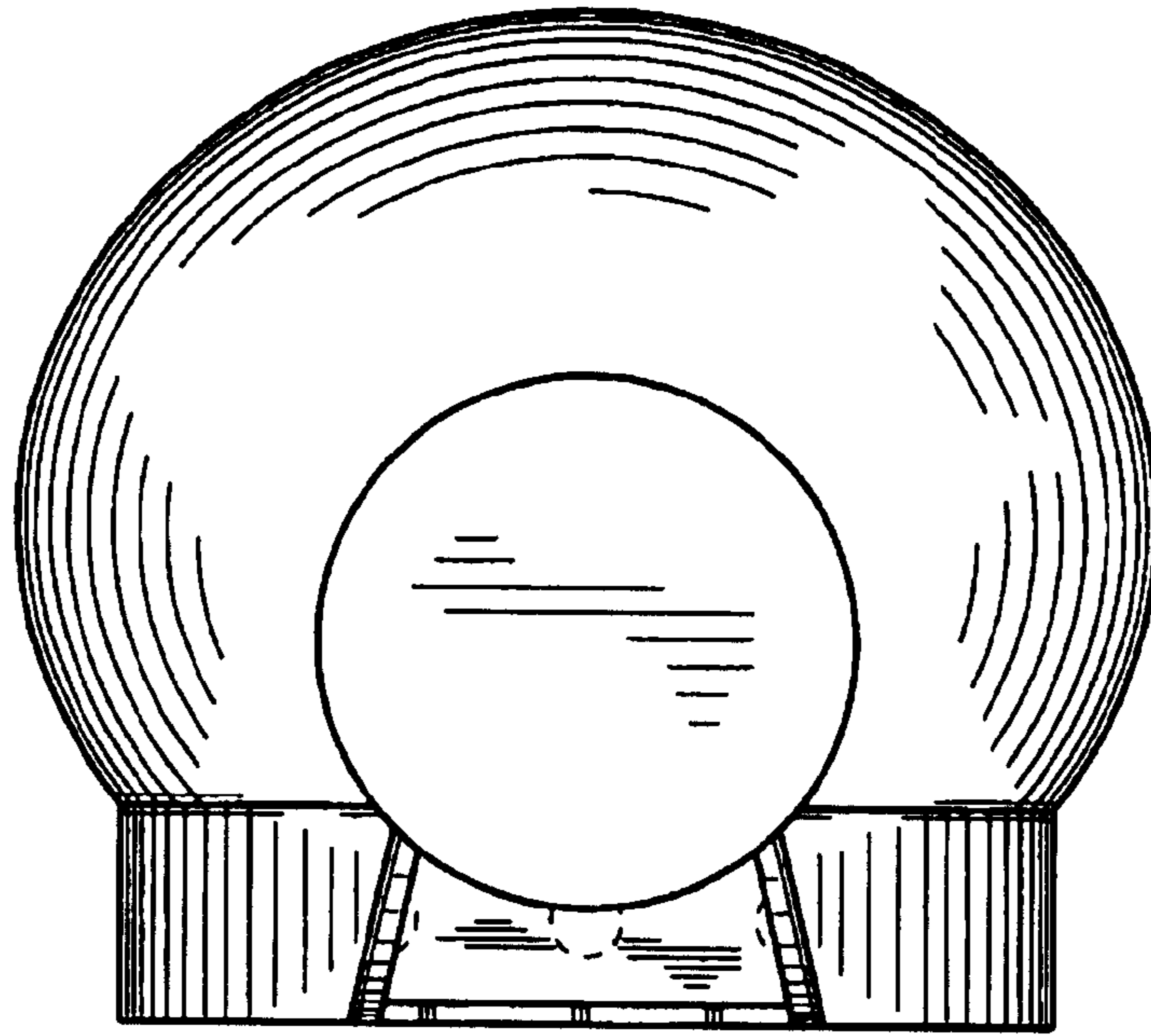


FIG. 6

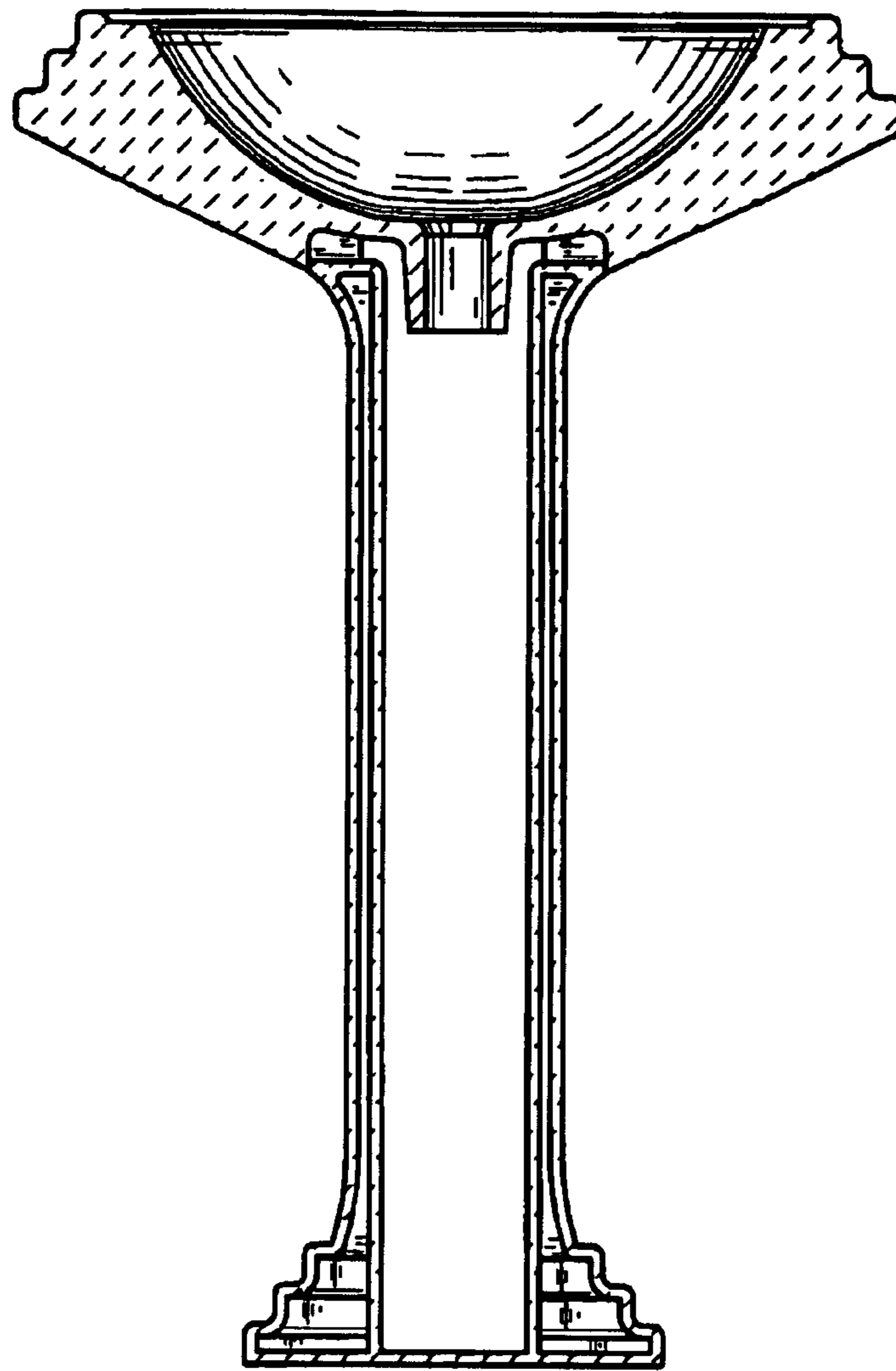


FIG. 7

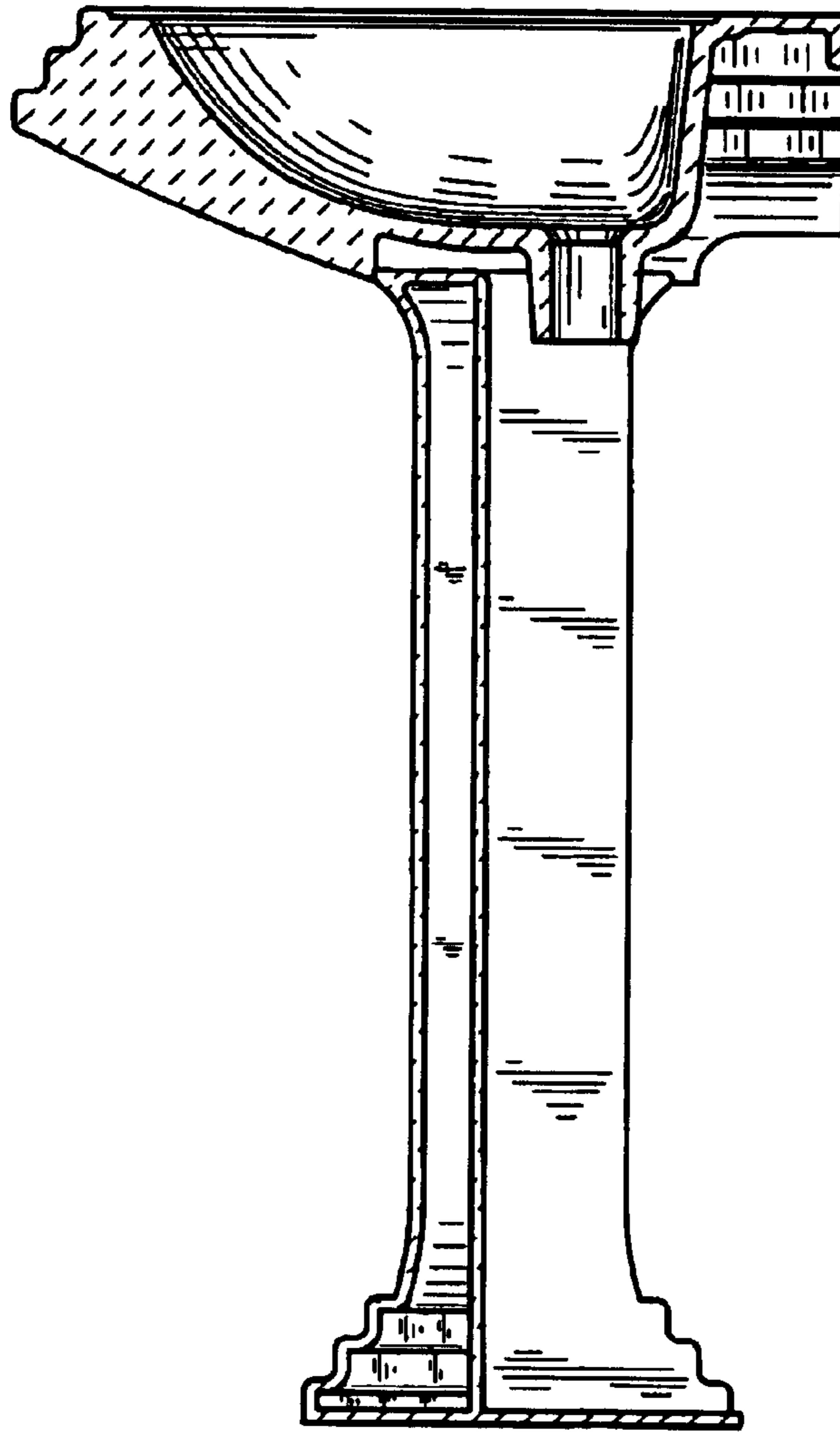


FIG. 8