

US00D542895S

(12) **United States Design Patent**
Dolan

(10) **Patent No.:** **US D542,895 S**

(45) **Date of Patent:** **** May 15, 2007**

(54) **PEDESTAL LAVATORY**

(76) **Inventor:** **Patrick S. Dolan**, 2700 NW. Front Ave., Portland, OR (US) 97210

(**) **Term:** **14 Years**

(21) **Appl. No.:** **29/264,414**

(22) **Filed:** **Aug. 8, 2006**

(51) **LOC (8) Cl.** **23-02**

(52) **U.S. Cl.** **D23/292**

(58) **Field of Classification Search** D23/201,
D23/284, 292, 293.1, 303, 308; 4/619, 624,
4/643, 646, 661

See application file for complete search history.

(56) **References Cited**

U.S. PATENT DOCUMENTS

D289,792 S 5/1987 Hardion
D498,832 S * 11/2004 Bates D23/292

OTHER PUBLICATIONS

Reference Co-Pending U.S. Appl. No. 29/264,417, filed Aug. 8, 2006, Patrick S. Dolan.

American Standard, Piscataway, NJ Jun. 16, 2006 Model 0283-800 Ason website: www.needplumbingsupplies.com.

Porcher, Atlanta, GA Jun. 16, 2006 Model 20348 Ason website: www.fixtureuniverse.com.

American Standard, Piscataway, NJ Jun. 16, 2006 Model 0179.514 As on website: www.needplumbingsupplies.com.

Kohler, Kohler, WI Jun. 16, 2006 Model K-2013 As on website: www.fixtureuniverse.com.

St. Thomas Creations, San Diego, CA Jun. 18, 2006 Model 5130 080.01 As on website: www.homeportfolio.com.

* cited by examiner

Primary Examiner—Robert A. Delehanty

(57) **CLAIM**

The ornamental design for a pedestal lavatory, as shown and described.

DESCRIPTION

FIG. 1 is a perspective view thereof;
FIG. 2 is a front elevational view thereof;
FIG. 3 is a right side view, the left side view being a mirror image;

FIG. 4 is a back plan view thereof;

FIG. 5 is a top plan view thereof;

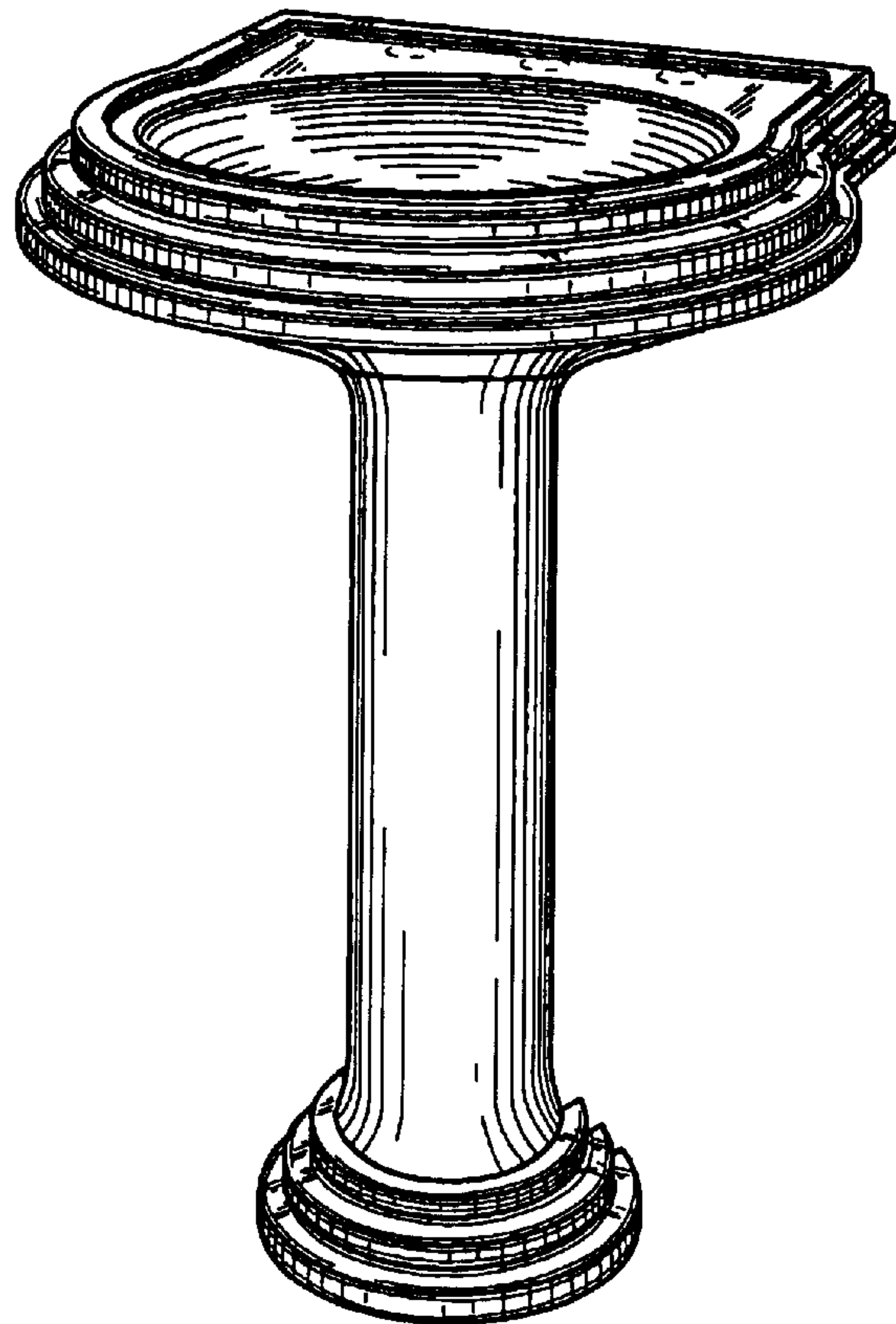
FIG. 6 is a bottom plan view thereof;

FIG. 7 is a cross-sectional view taken along Line 7—7 of FIG. 5; and,

FIG. 8 is a cross-sectional view taken along Line 8—8 of FIG. 5.

The broken line showing of environmental structure is for illustrative purposes only and forms no part of the claimed design.

1 Claim, 8 Drawing Sheets



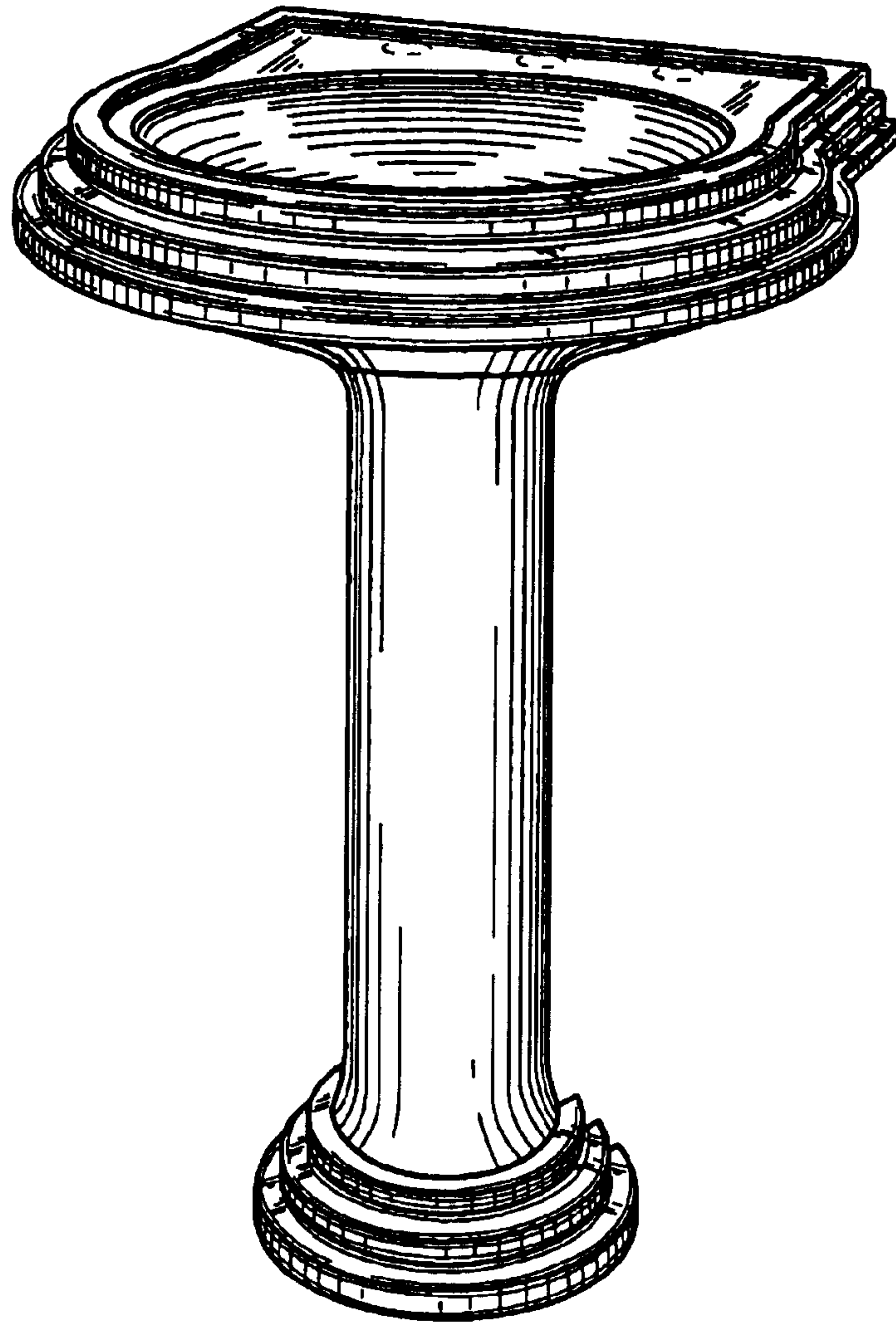


FIG. 1

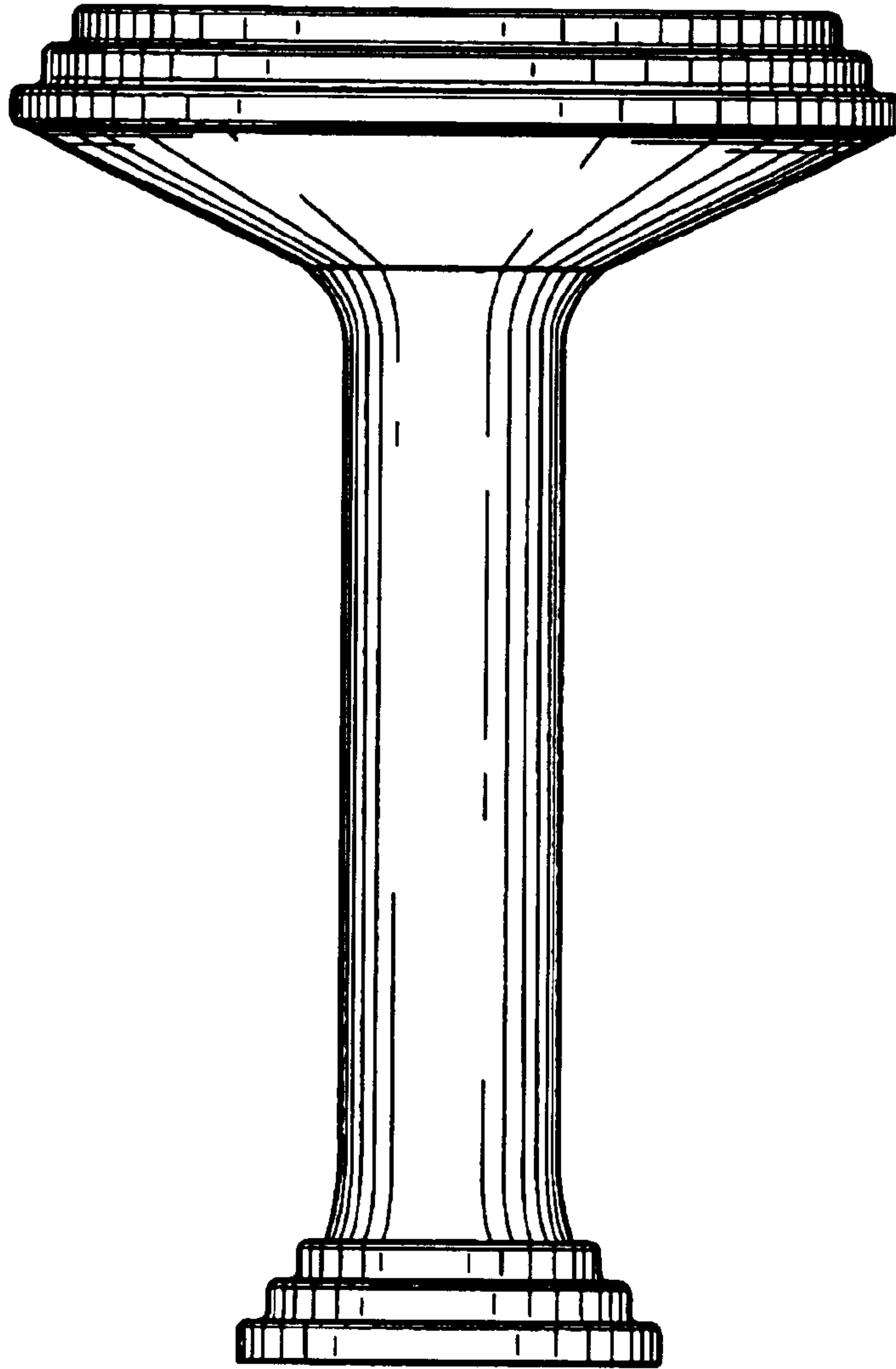


FIG. 2

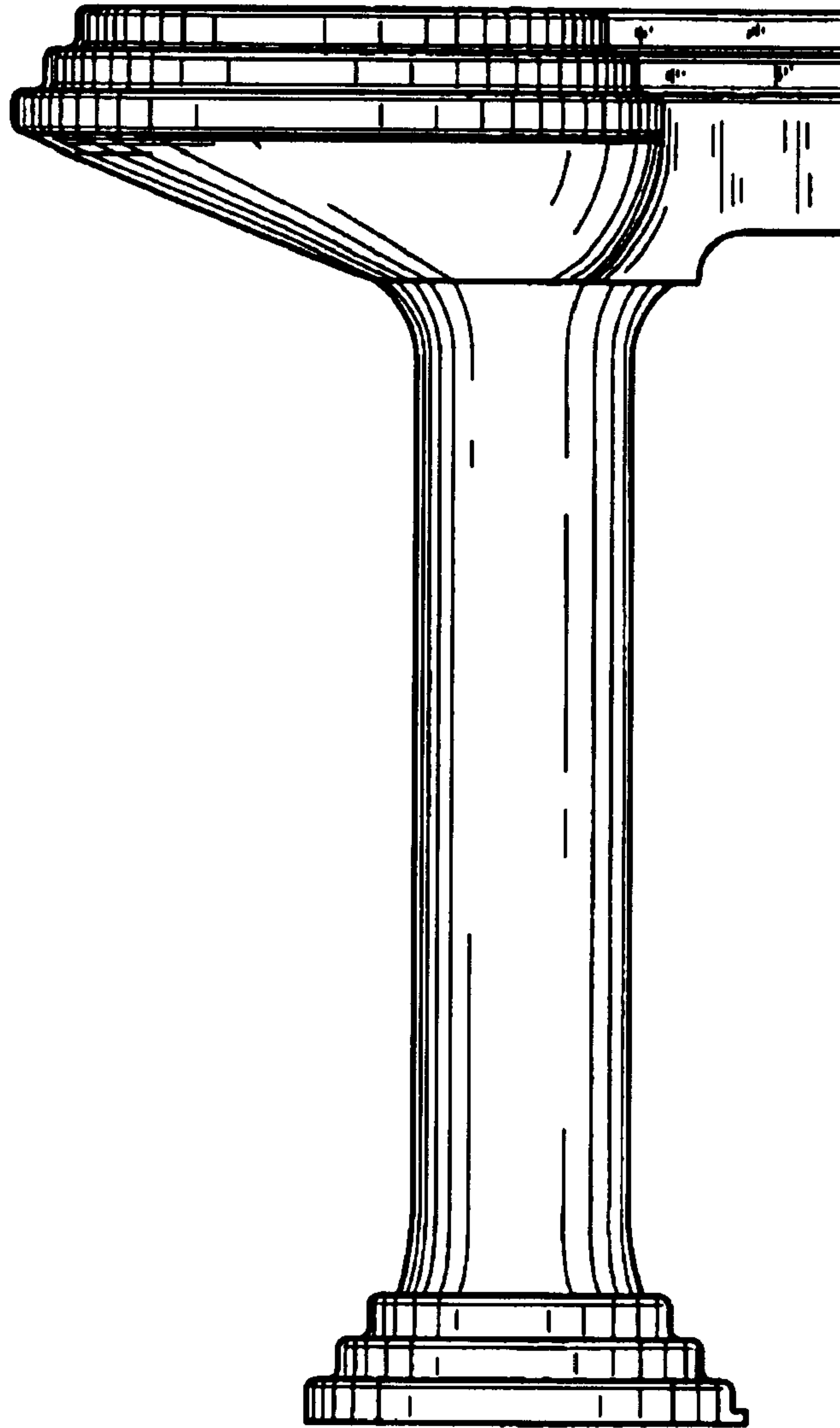


FIG. 3

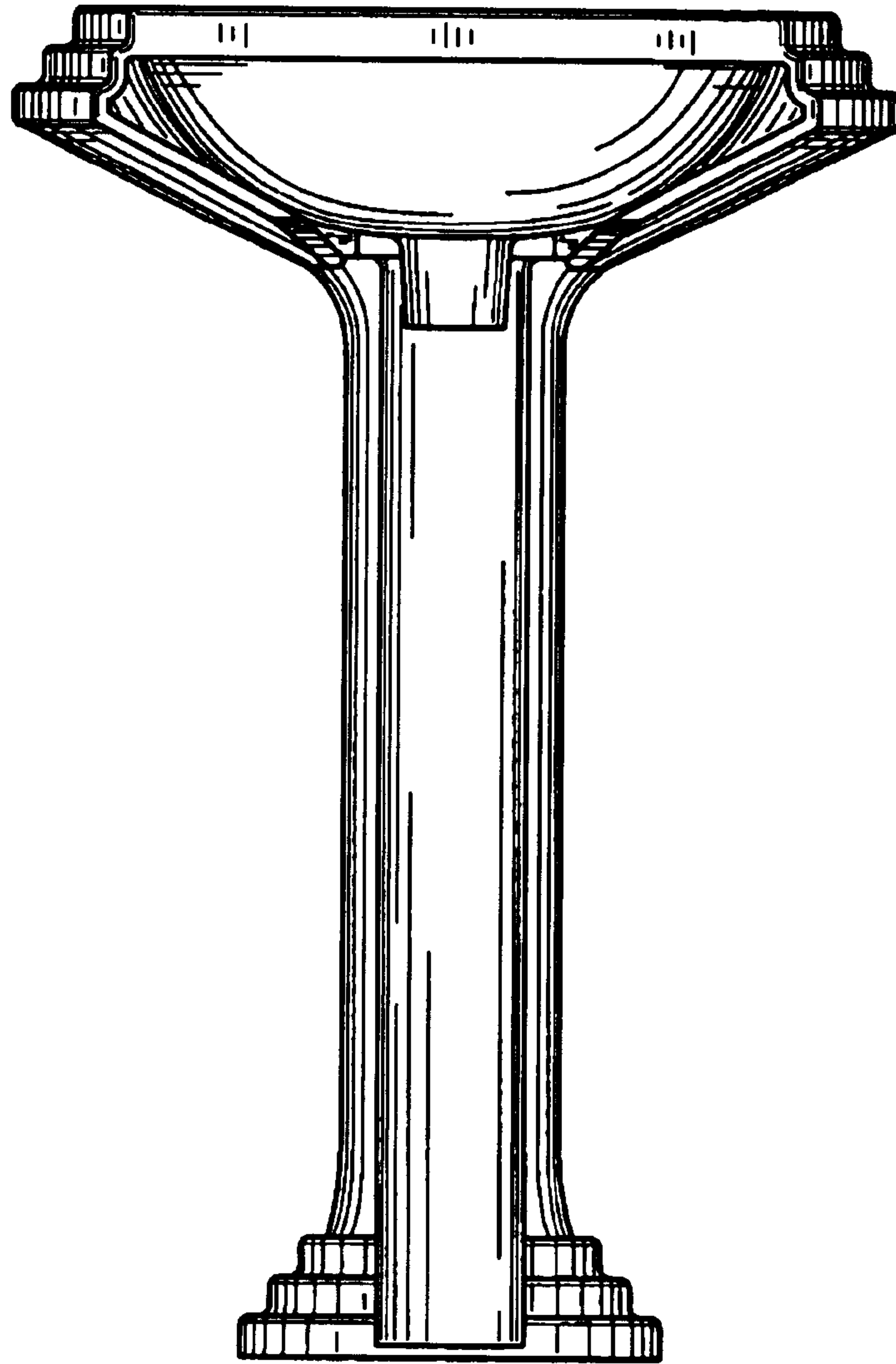


FIG. 4

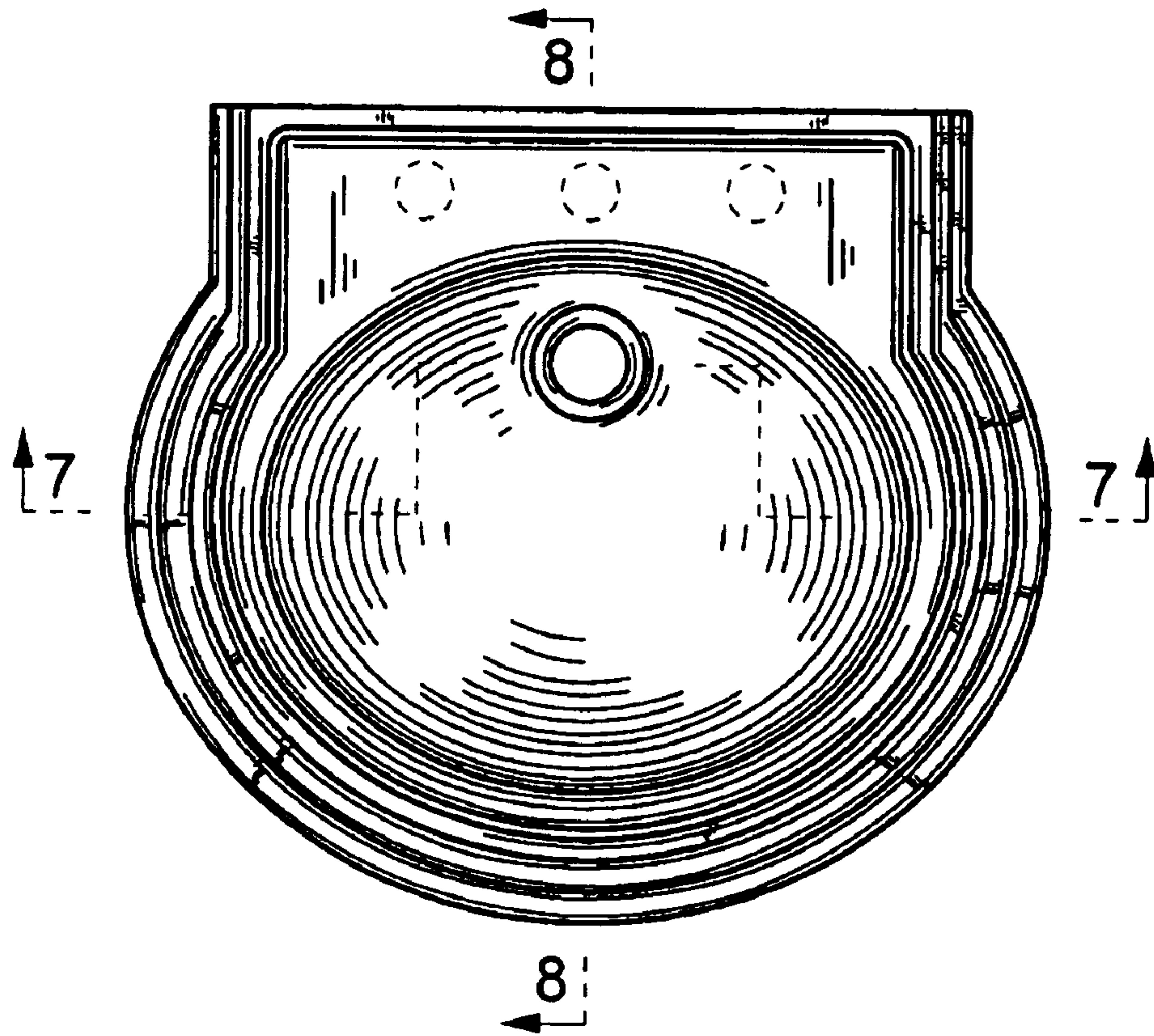


FIG. 5

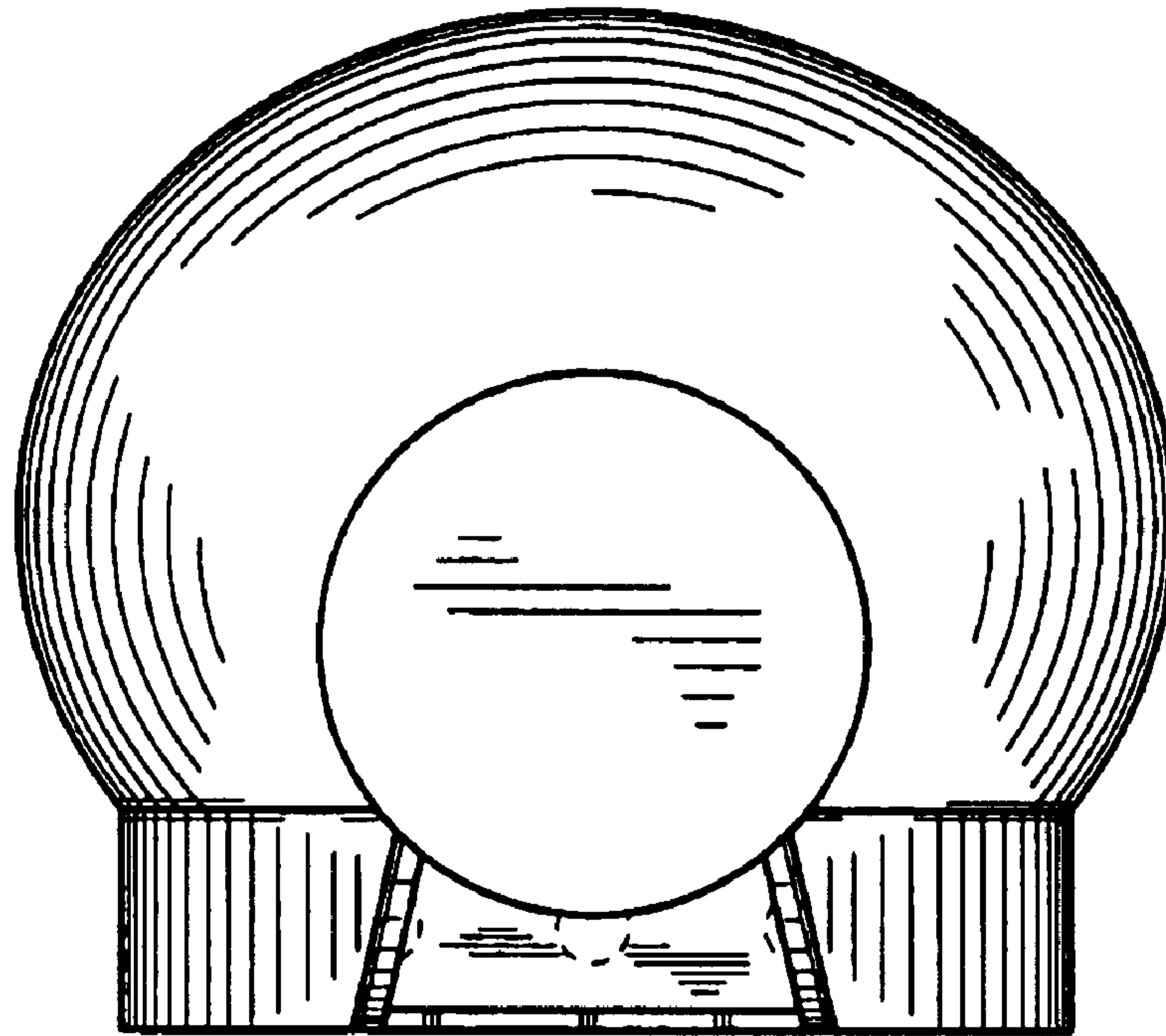


FIG. 6

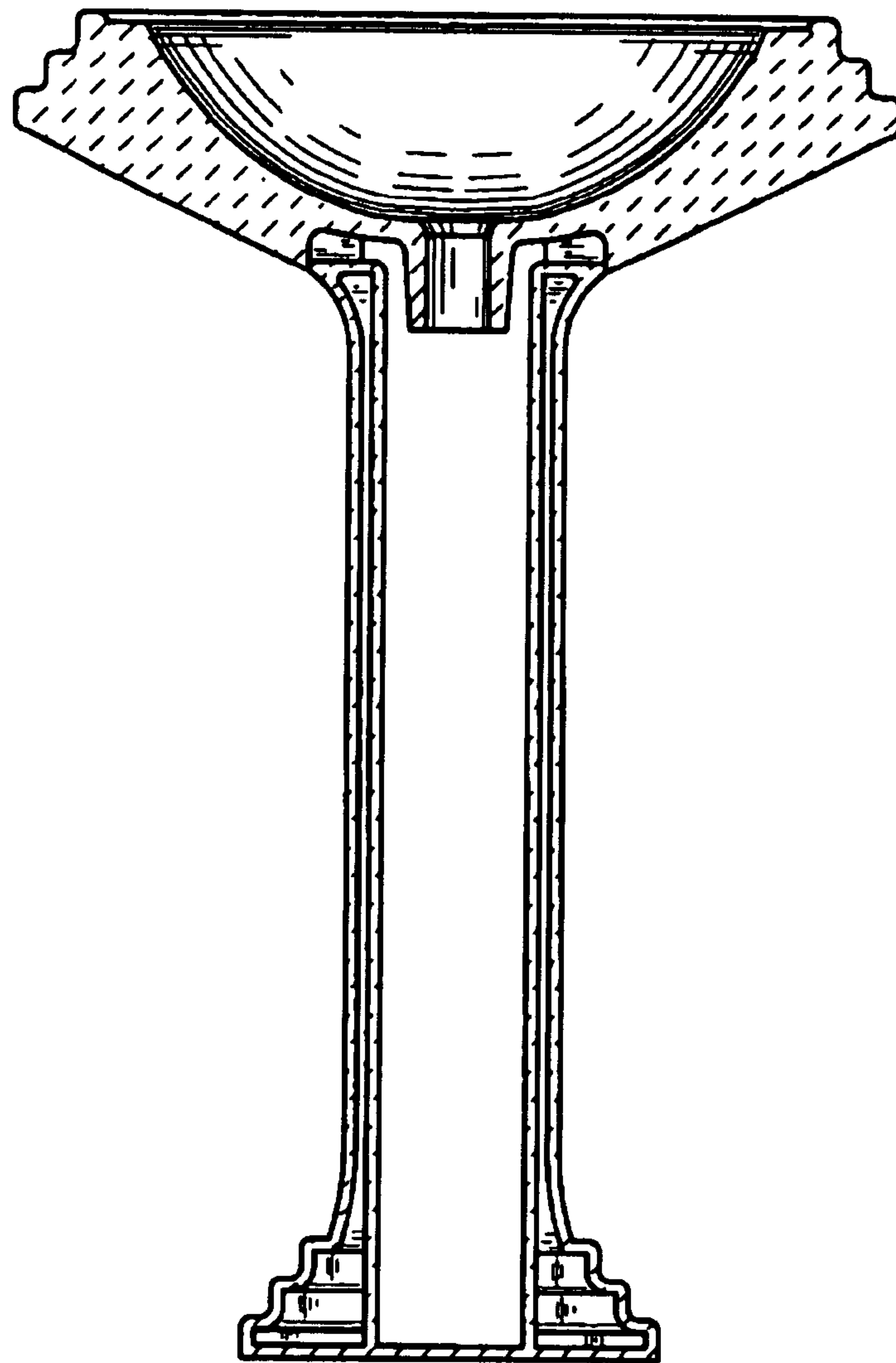


FIG. 7

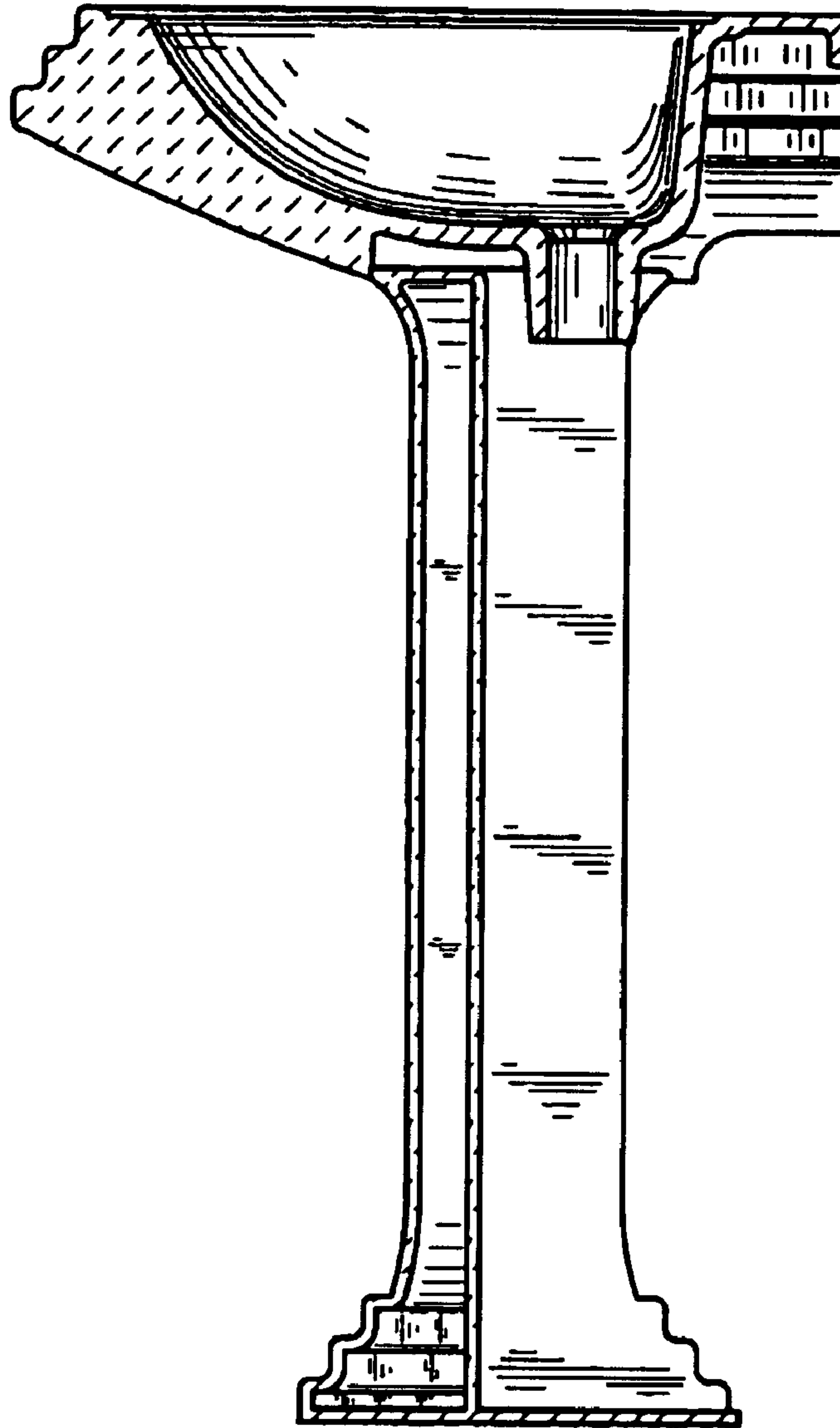


FIG. 8