

US00D542893S

(12) **United States Design Patent** (10) **Patent No.:** **US D542,893 S**
Dolan (45) **Date of Patent:** **** May 15, 2007**

(54) **PEDESTAL LAVATORY**
(76) Inventor: **Patrick S. Dolan**, 2700 NW. Front Ave., Portland, OR (US) 97210
(**) Term: **14 Years**
(21) Appl. No.: **29/264,406**
(22) Filed: **Aug. 8, 2006**
(51) **LOC (8) Cl.** **23-02**
(52) **U.S. Cl.** **D23/292**
(58) **Field of Classification Search** D23/201, D23/284, 292, 293.1, 303, 308; 4/619, 624, 4/643, 646, 661
See application file for complete search history.

Co-pending U.S. Appl. No. 29/264,426, filed Nov. 8, 2006, Patrick S. Dolan.
Co-pending U.S. Appl. No. 29/264,416, filed Nov. 8, 2006, Patrick S. Dolan.
Co-pending U.S. Appl. No. 29/264,413, filed Nov. 8, 2006, Patrick S. Dolan.
Kohler, Kohler, WI, Model K-2344-8, As on Website: www.faucet.com, Jun. 16, 2006.
Barclay Products, Gurnee, IL, Model 84438, As on Website: www.bellacor.com, Jun. 16, 2006.
Kohler, Kohler, WI, Model K-2268-8, As on Website: www.faucet.com, Jun. 16, 2006.
St. Thomas Creations, San Diego, CA, Model 5130-080-01, As on Website: www.homeportfolio.com, Jun. 16, 2006.

* cited by examiner

Primary Examiner—Robert A. Delehanty

(56) **References Cited**

U.S. PATENT DOCUMENTS

D45,283 S	12/1914	Allen	
D76,918 S	11/1928	Crane	
D101,446 S	5/1936	Dreyfuss et al.	
D262,485 S	12/1981	Wissinger	
D387,857 S	12/1997	McKeone	
D397,415 S	8/1998	McKeone	
D407,470 S	3/1999	McKeone	
D415,827 S	10/1999	McKeone	
D470,928 S	2/2003	Kawamura et al.	
D475,128 S	* 5/2003	Svendsen et al. D23/308
D479,587 S	9/2003	Smith	
D499,797 S	12/2004	Bates	
D500,843 S	1/2005	Takou	
D506,534 S	* 6/2005	Sutopo D23/293.1

OTHER PUBLICATIONS

Co-pending U.S. Appl. No. 29/264,404, filed Nov. 8, 2006, Patrick S. Dolan.
Co-pending U.S. Appl. No. 29/264,415, filed Nov. 8, 2006, Patrick S. Dolan.
Co-pending U.S. Appl. No. 29/264,405, filed Nov. 8, 2006, Patrick S. Dolan.

(57) **CLAIM**

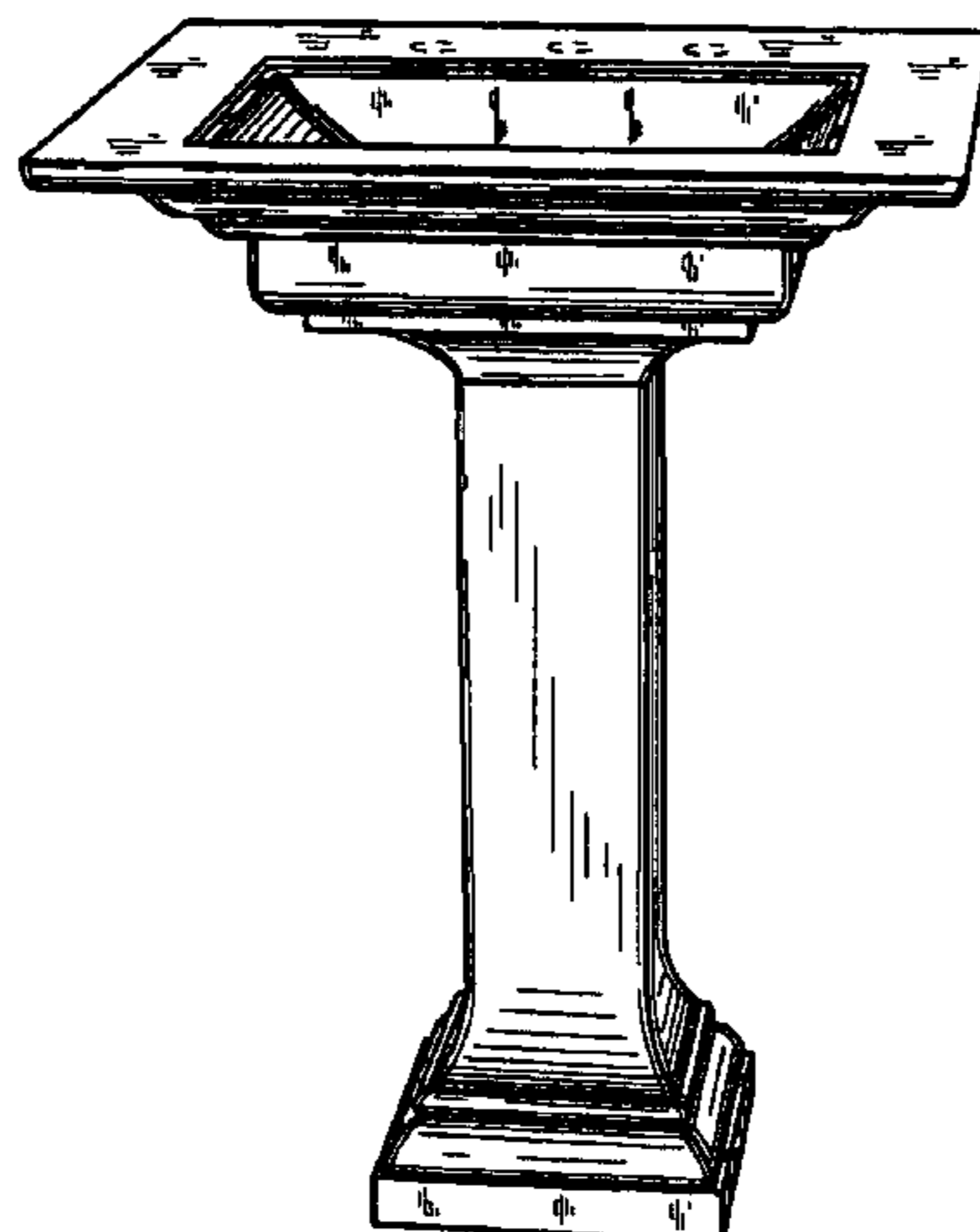
The ornamental design for a pedestal lavatory, as shown and described.

DESCRIPTION

FIG. 1 is a perspective view thereof;
FIG. 2 is a front elevational view thereof;
FIG. 3 is a right side view, the left side view being a mirror image;
FIG. 4 is a back plan view thereof;
FIG. 5 is a top plan view thereof;
FIG. 6 is a bottom plan view thereof;
FIG. 7 is a cross-sectional view taken along Line 7—7 of FIG. 5; and,
FIG. 8 is a cross-sectional view taken along Line 8—8 of FIG. 5.

The broken line showing of environmental structure is for illustrative purposes only and forms no part of the claimed design.

1 Claim, 8 Drawing Sheets



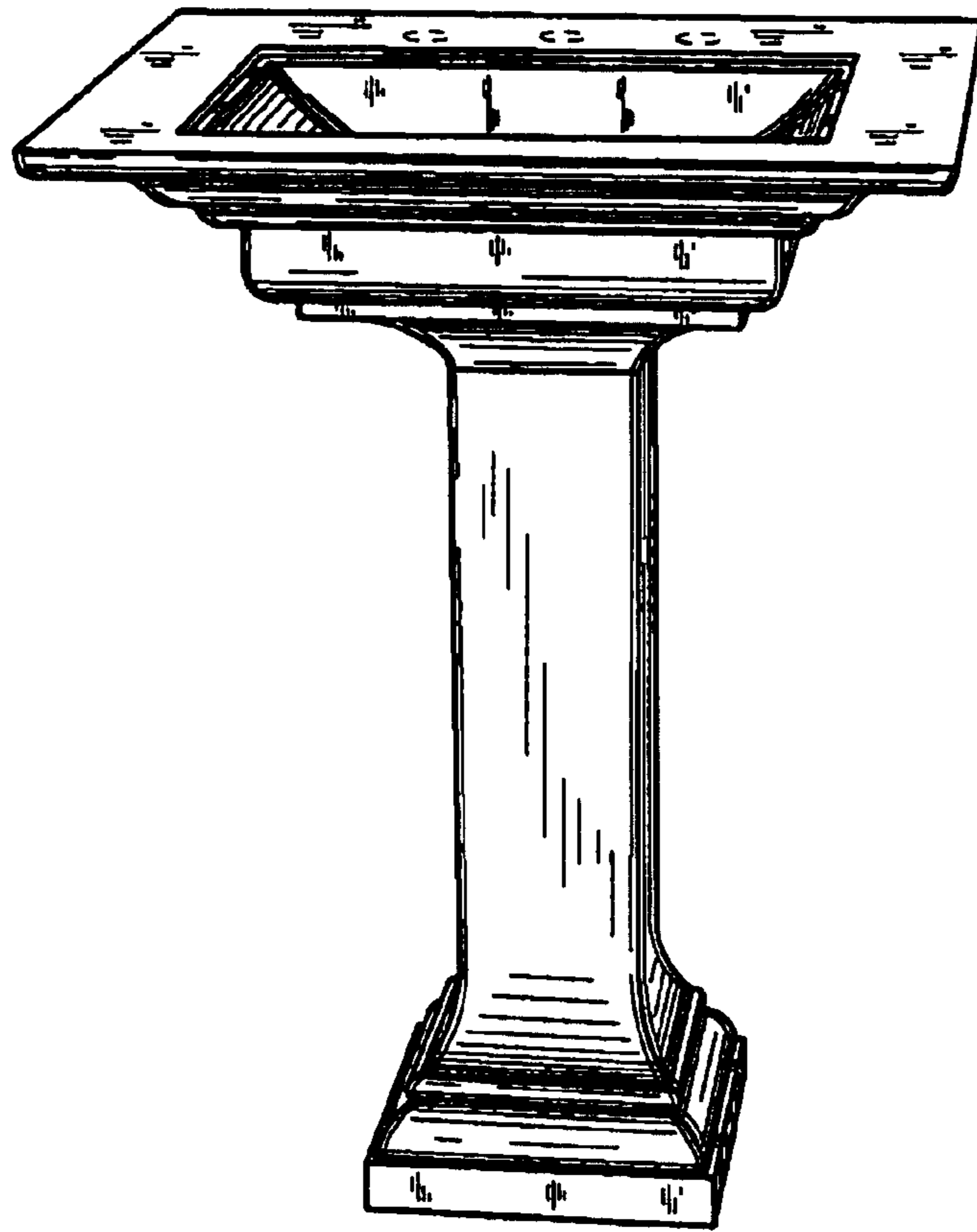


FIG. 1

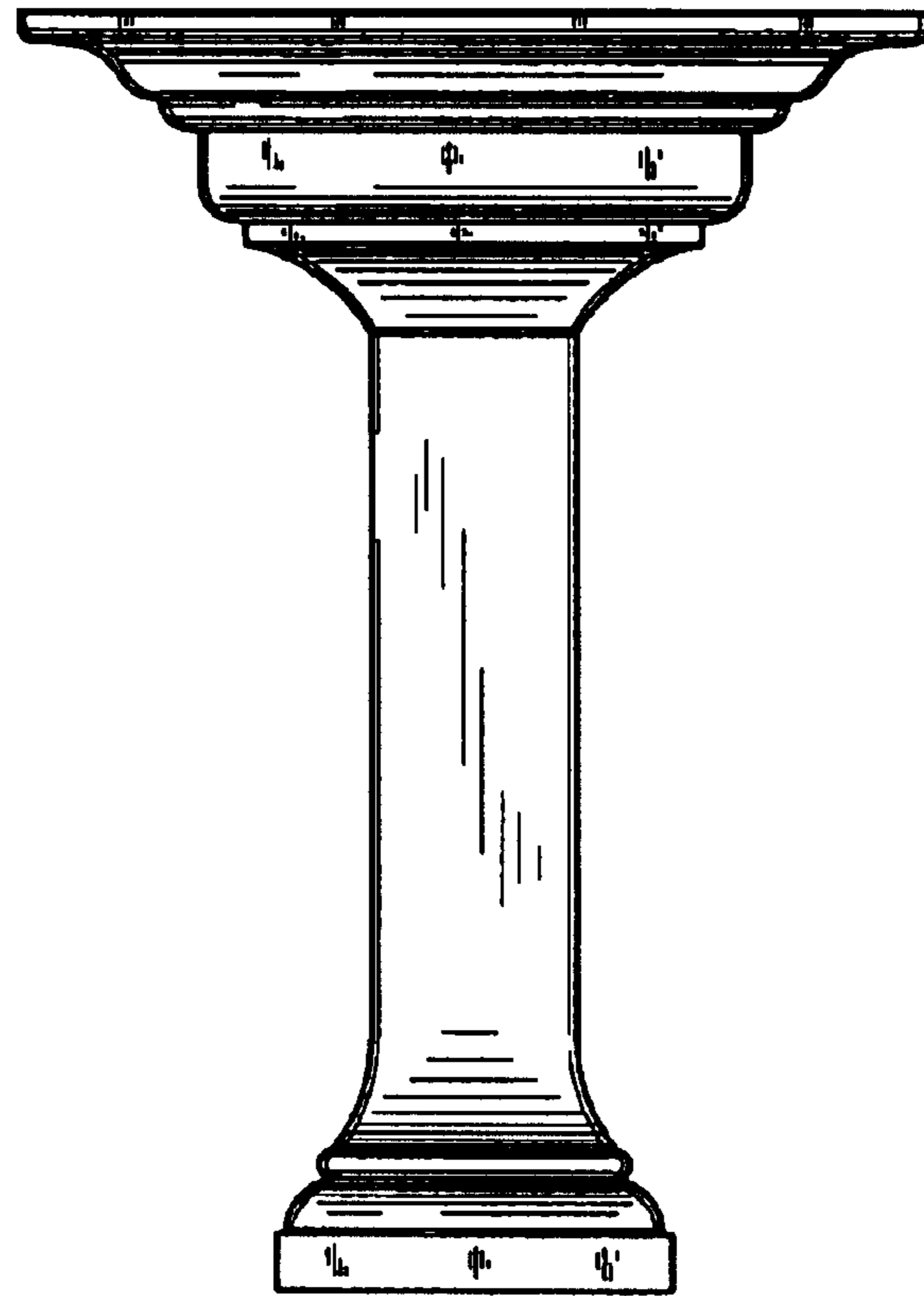


FIG. 2

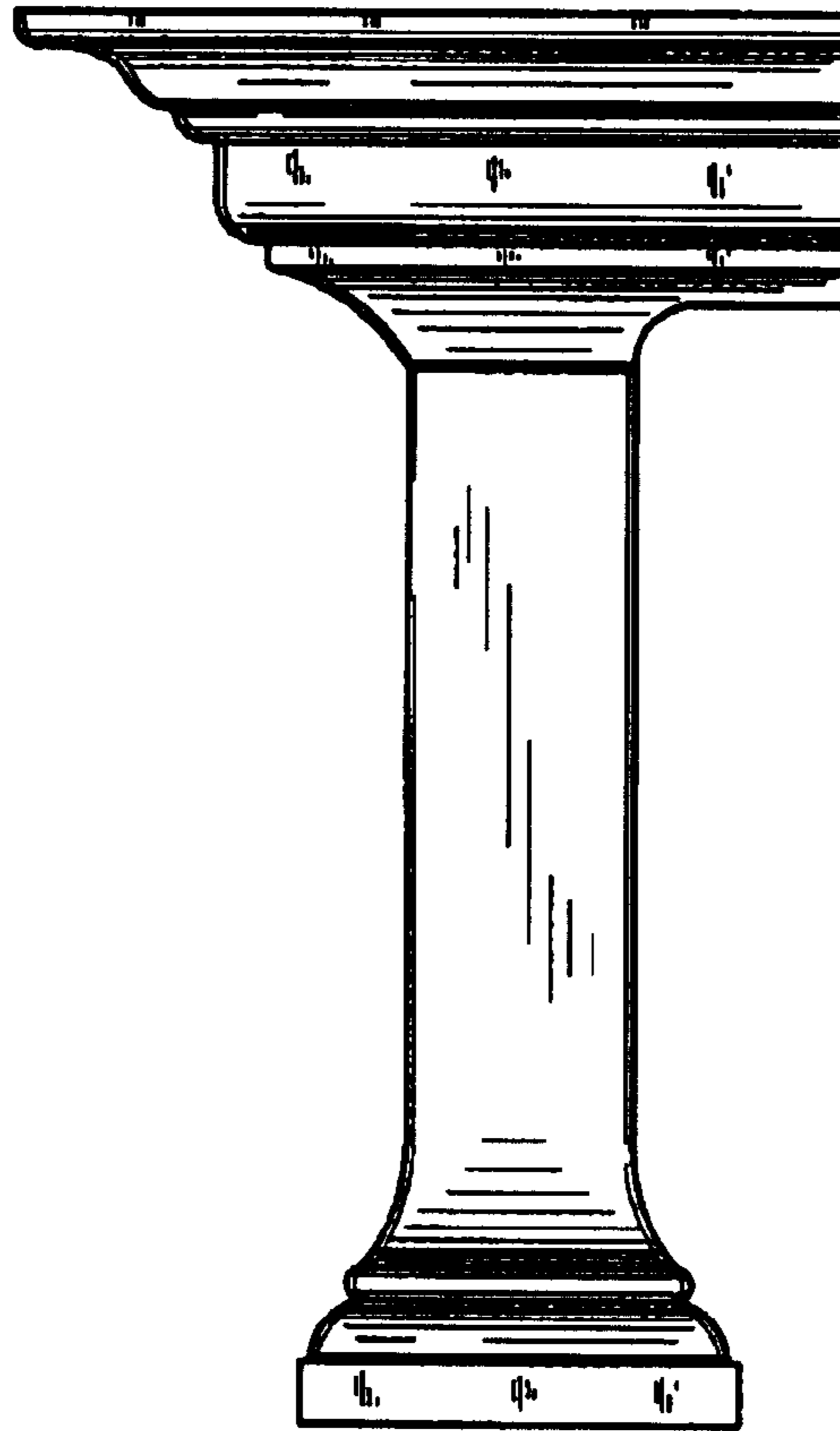


FIG. 3

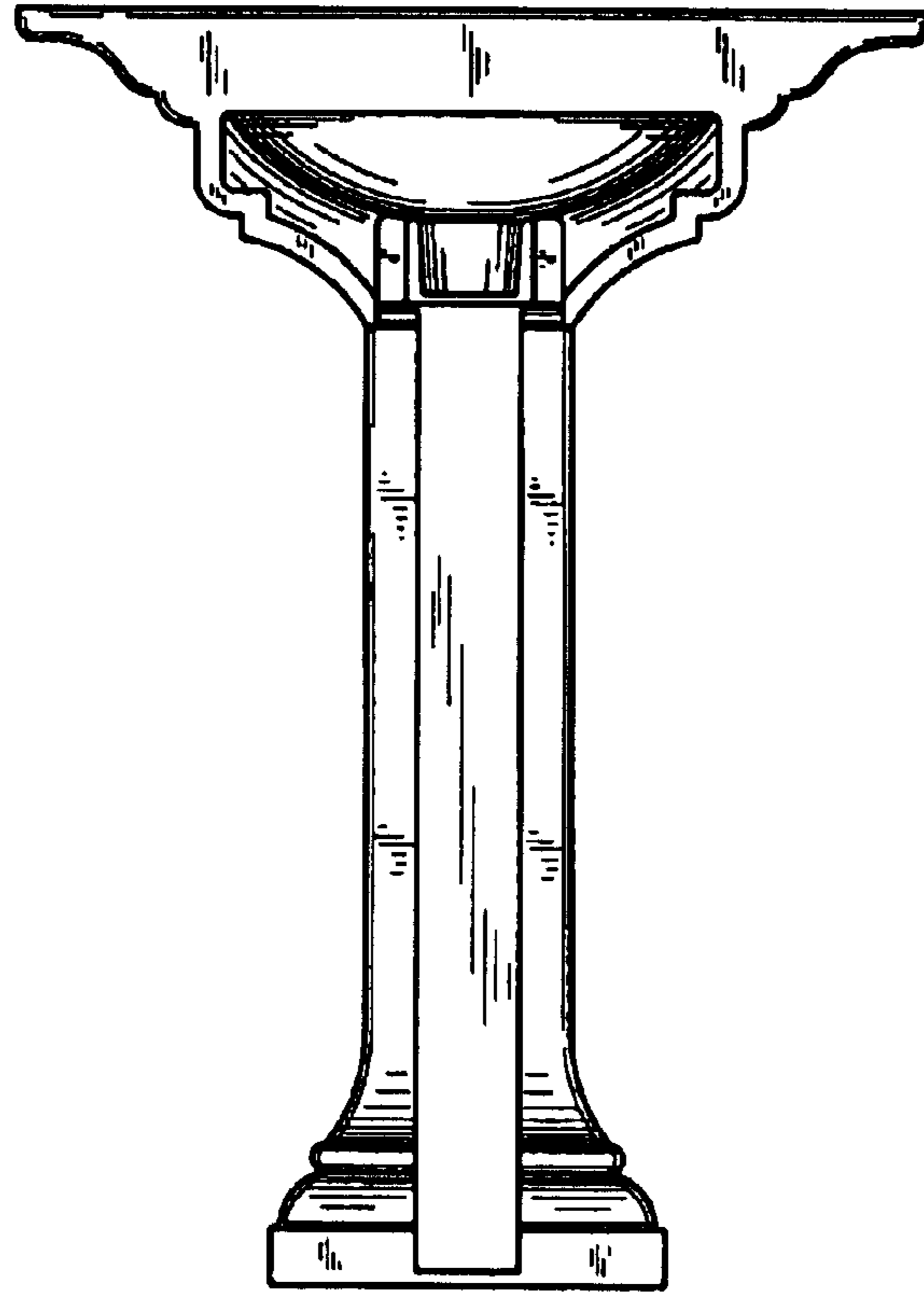


FIG. 4

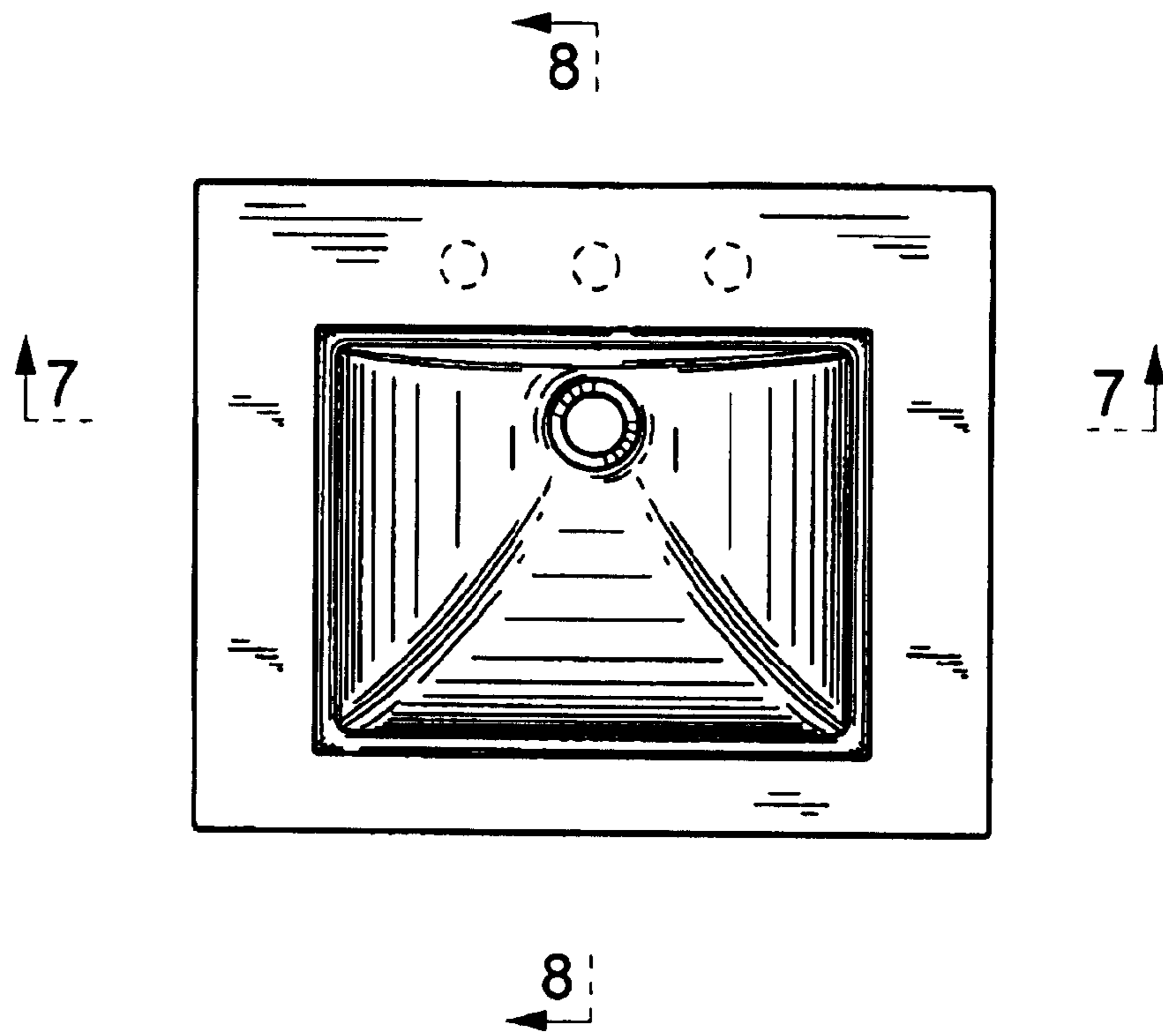


FIG. 5

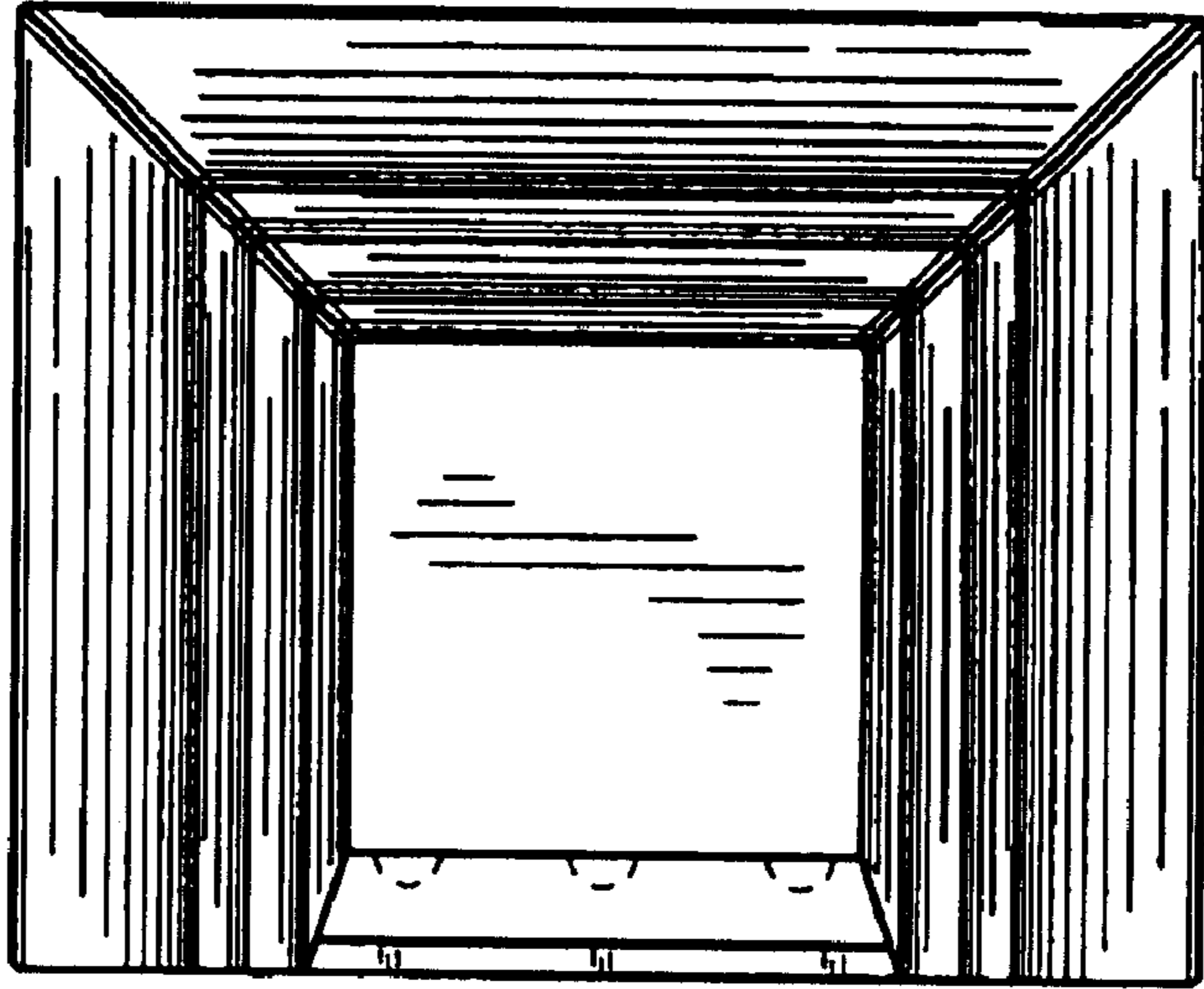


FIG. 6

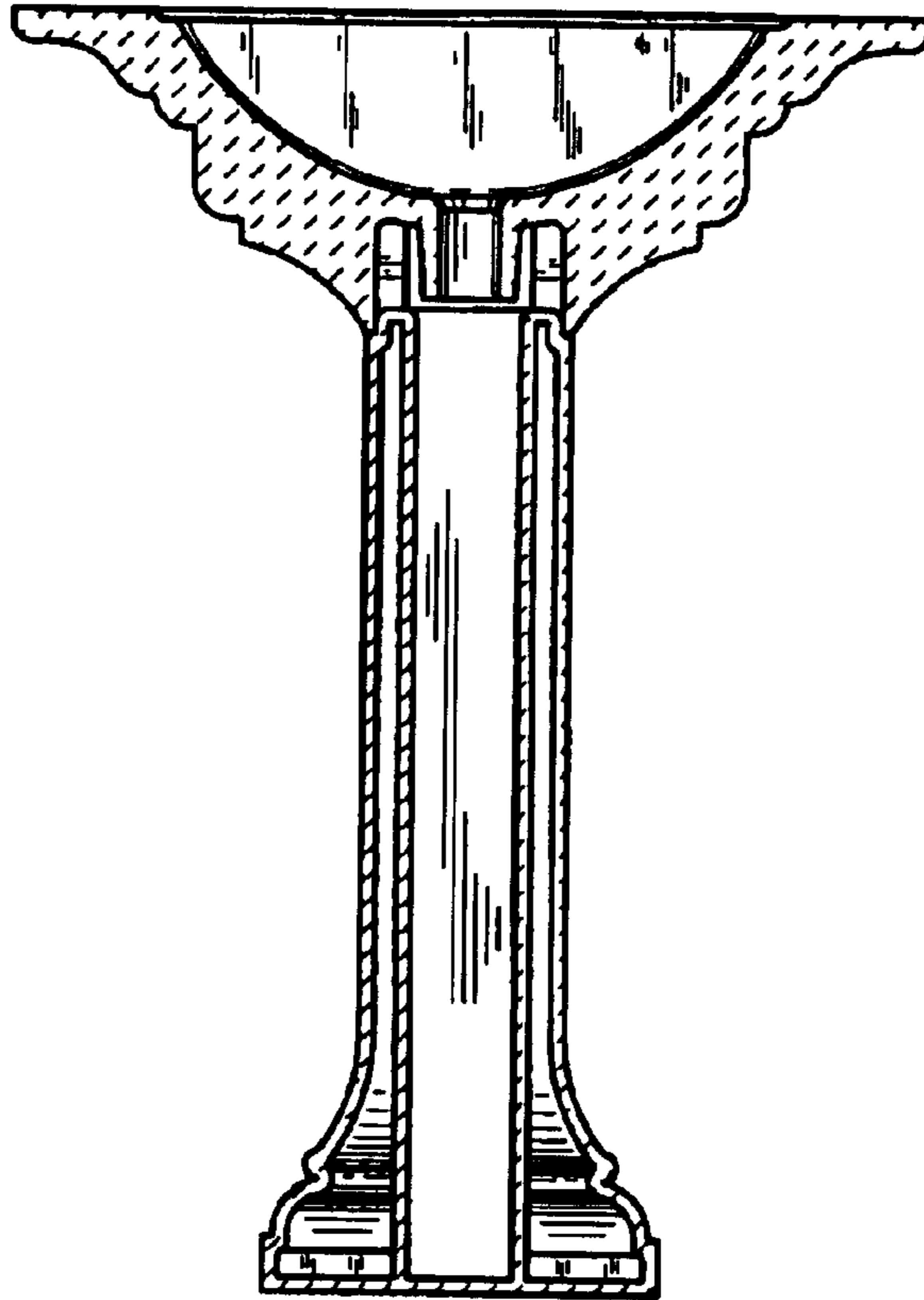


FIG. 7

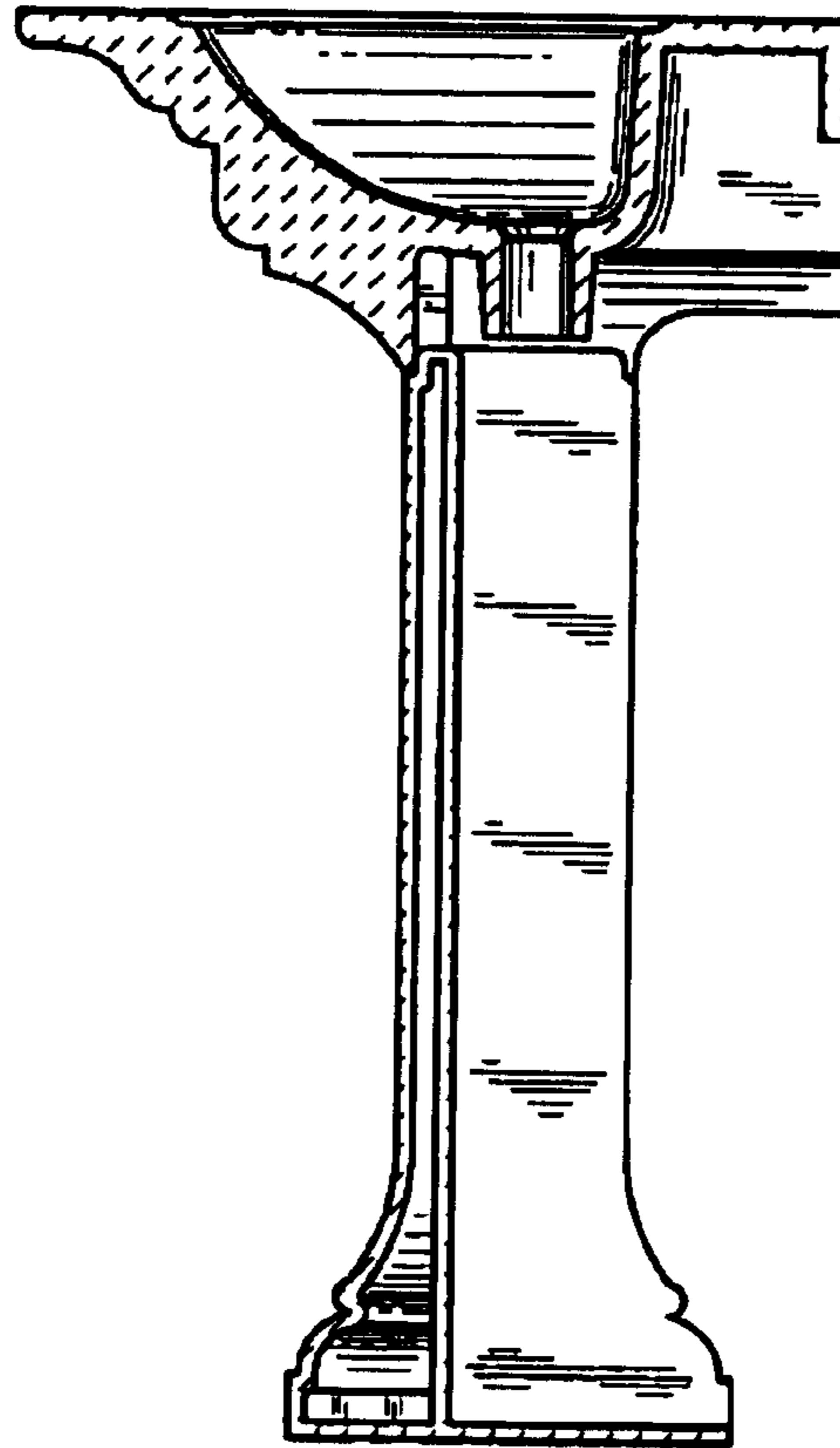


FIG. 8