

US00D542892S

(12) **United States Design Patent**  
**Miyamoto**

(10) **Patent No.:** **US D542,892 S**

(45) **Date of Patent:** **\*\* May 15, 2007**

(54) **PEDESTAL SINK**

D475,128 S \* 5/2003 Svendsen et al. .... D23/308  
D500,843 S \* 1/2005 Takou ..... D23/292

(75) Inventor: **Takeaki Miyamoto**, Kitakyushu (JP)

\* cited by examiner

(73) Assignee: **Toto Ltd.**, Kitakyushu (JP)

*Primary Examiner*—Robert A. Delehanty

(\*\*) Term: **14 Years**

(74) *Attorney, Agent, or Firm*—Birch, Stewart, Kolasch & Birch, LLP

(21) Appl. No.: **29/251,178**

(57) **CLAIM**

(22) Filed: **Jan. 5, 2006**

The ornamental design for a pedestal sink, as shown and described.

(51) **LOC (8) Cl.** ..... **23-02**

(52) **U.S. Cl.** ..... **D23/292**

(58) **Field of Classification Search** ..... D23/201,  
D23/284, 292, 293.1, 303, 308; 4/619, 624,  
4/643, 646, 661

**DESCRIPTION**

See application file for complete search history.

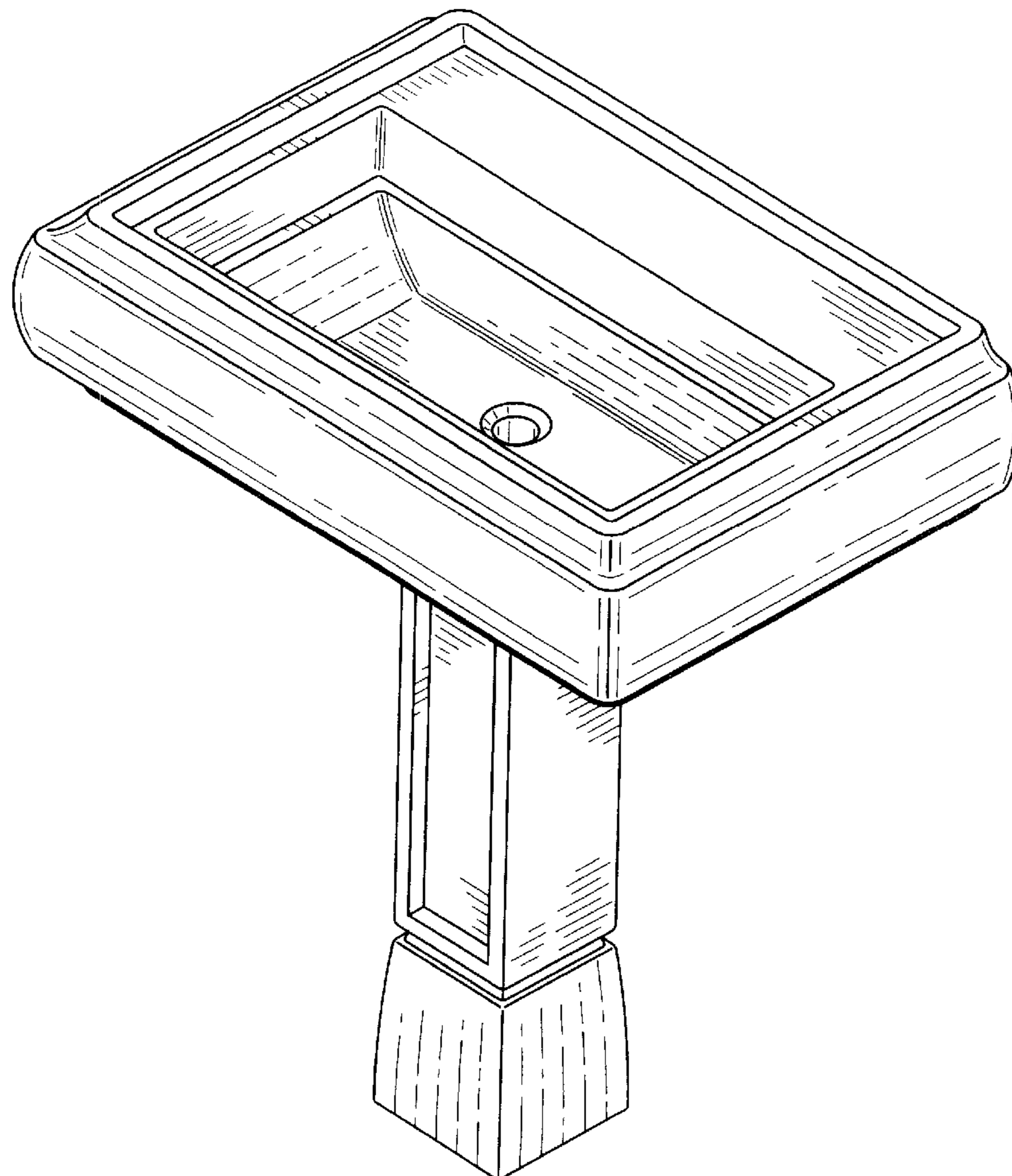
FIG. 1 is a perspective view of the top, front and right side of a pedestal sink showing my new design;  
FIG. 2 is a top plan view thereof;  
FIG. 3 is a front view thereof;  
FIG. 4 is a left side view thereof;  
FIG. 5 is a right side view thereof; and,  
FIG. 6 is a rear view thereof.

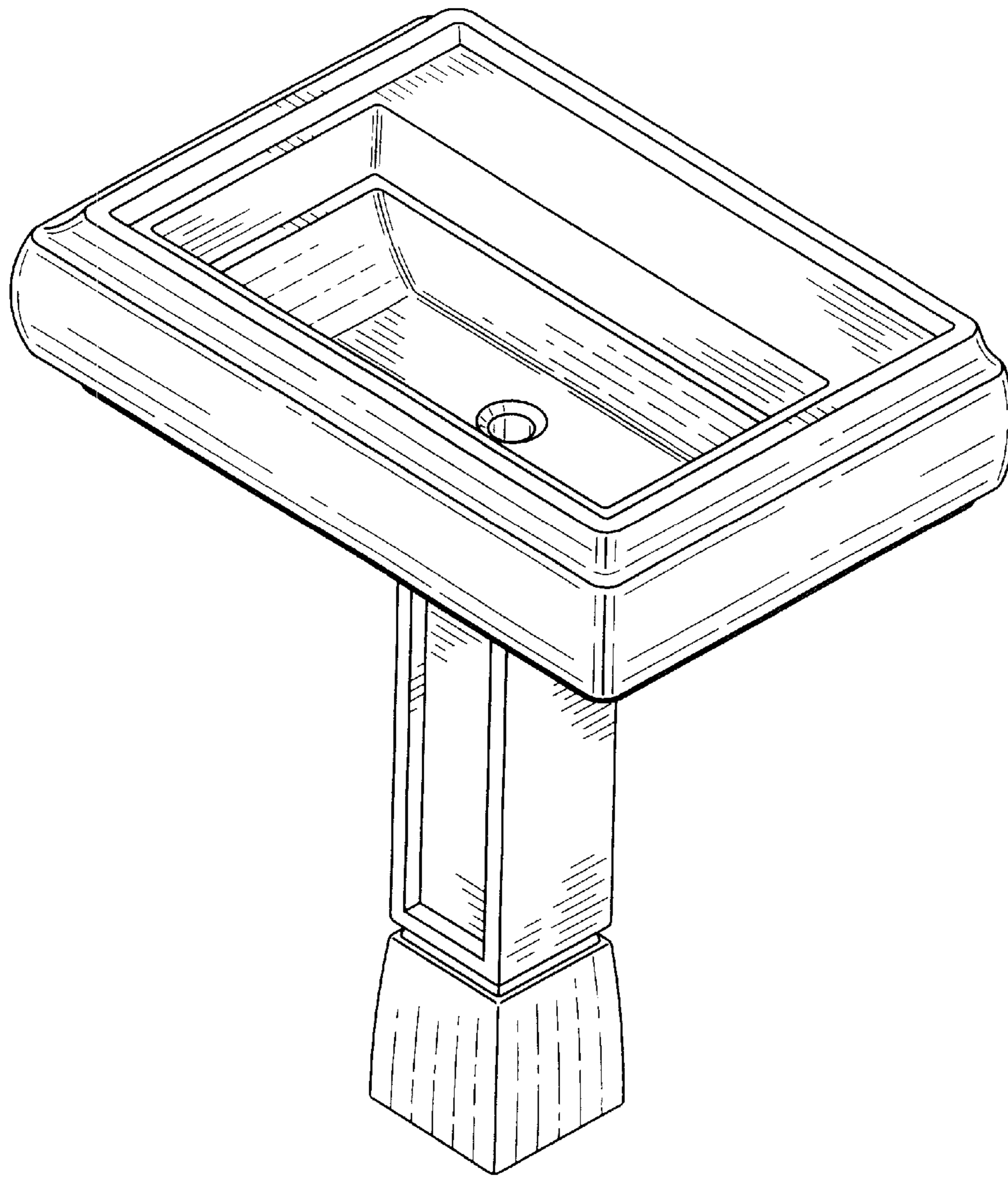
(56) **References Cited**

**U.S. PATENT DOCUMENTS**

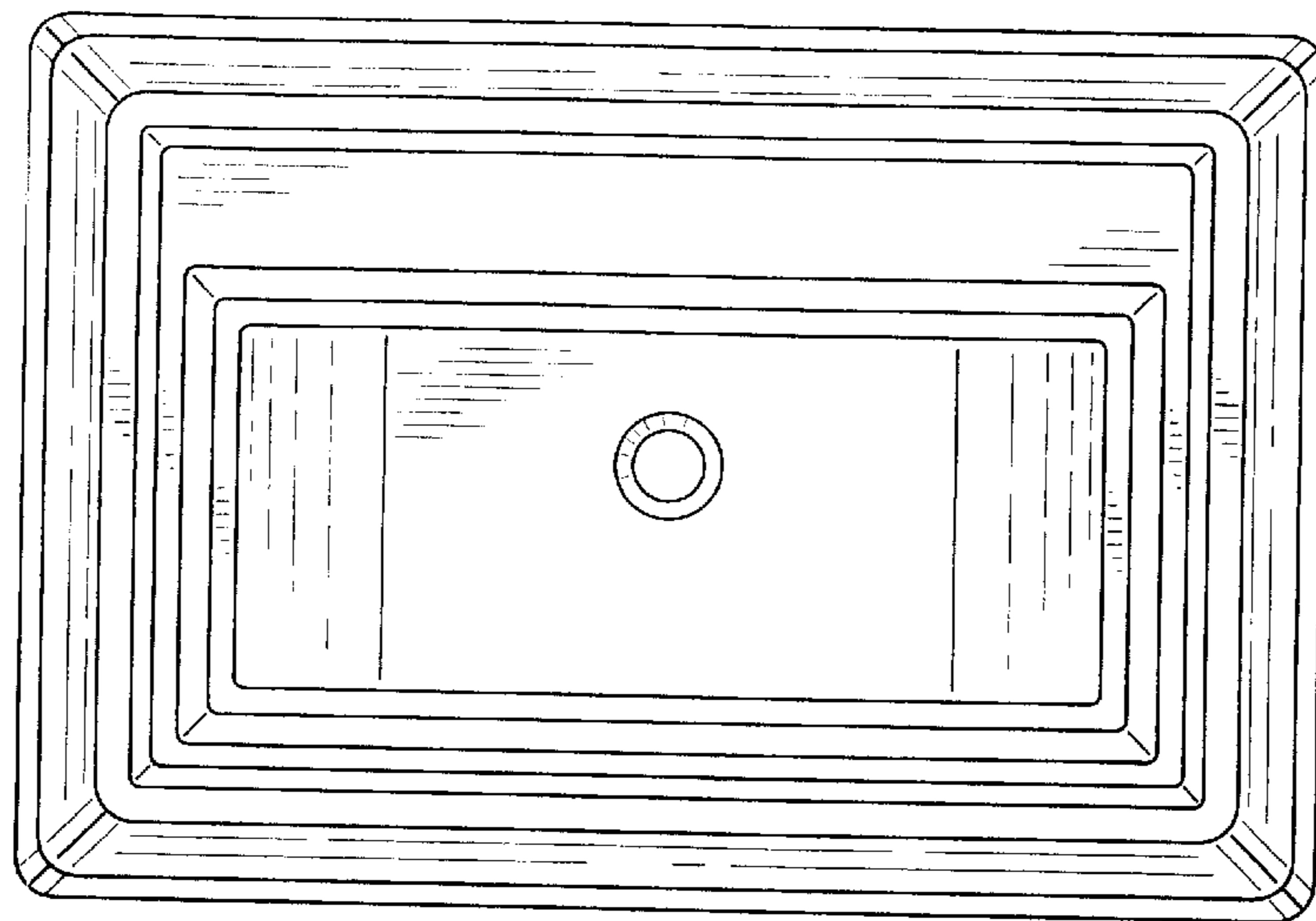
D422,347 S \* 4/2000 Kawamura ..... D23/292

**1 Claim, 4 Drawing Sheets**

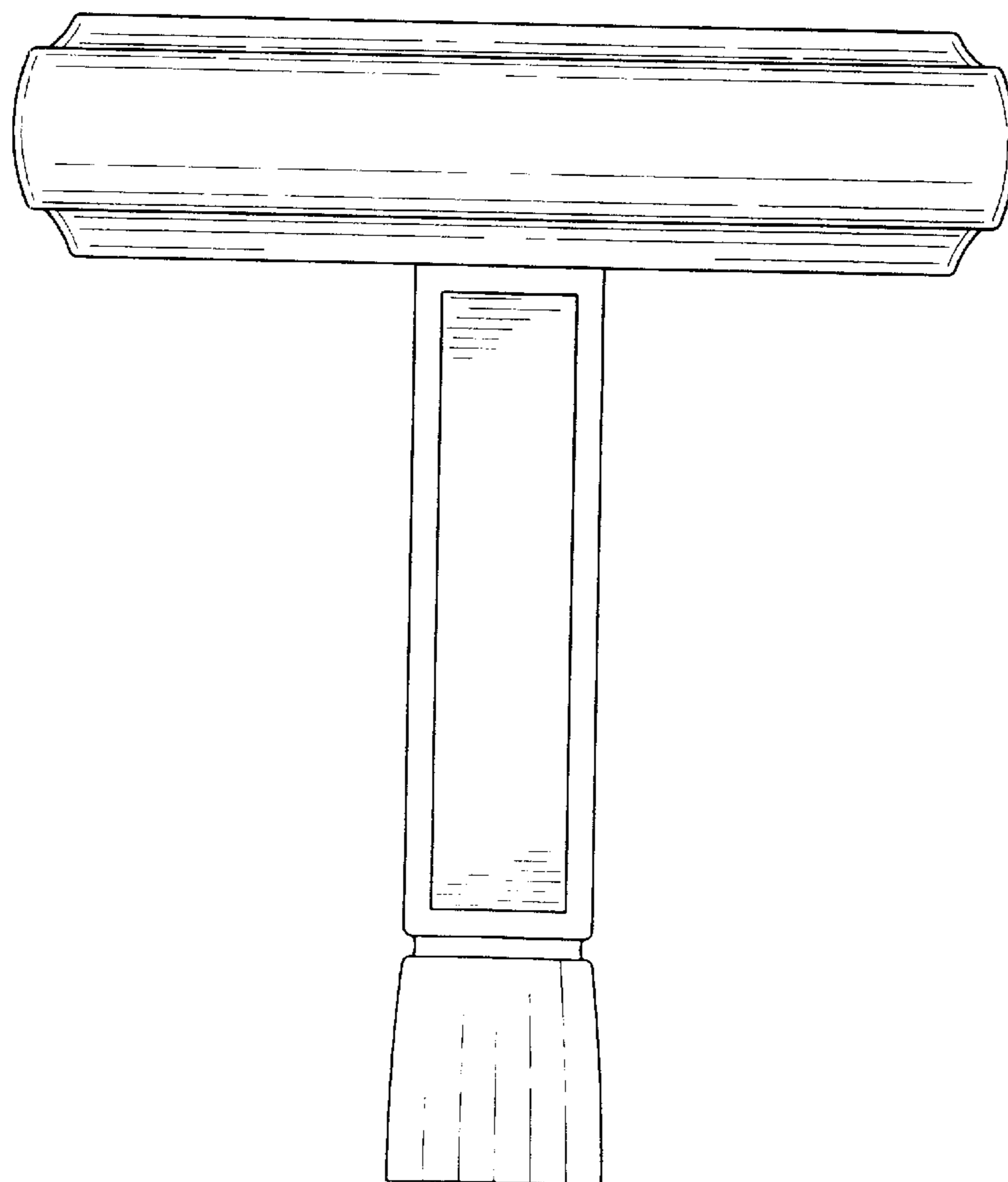




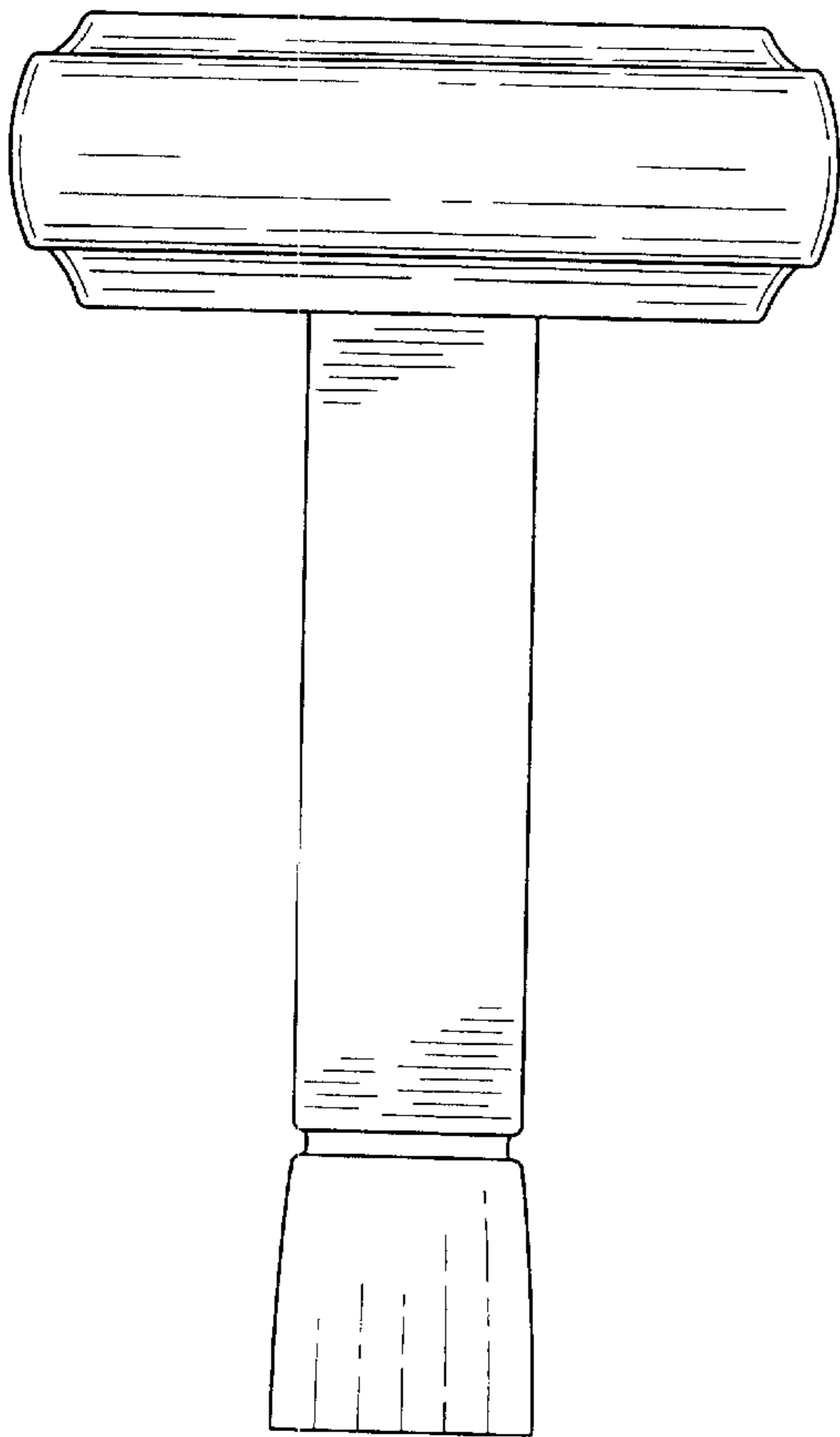
*FIG. 1*



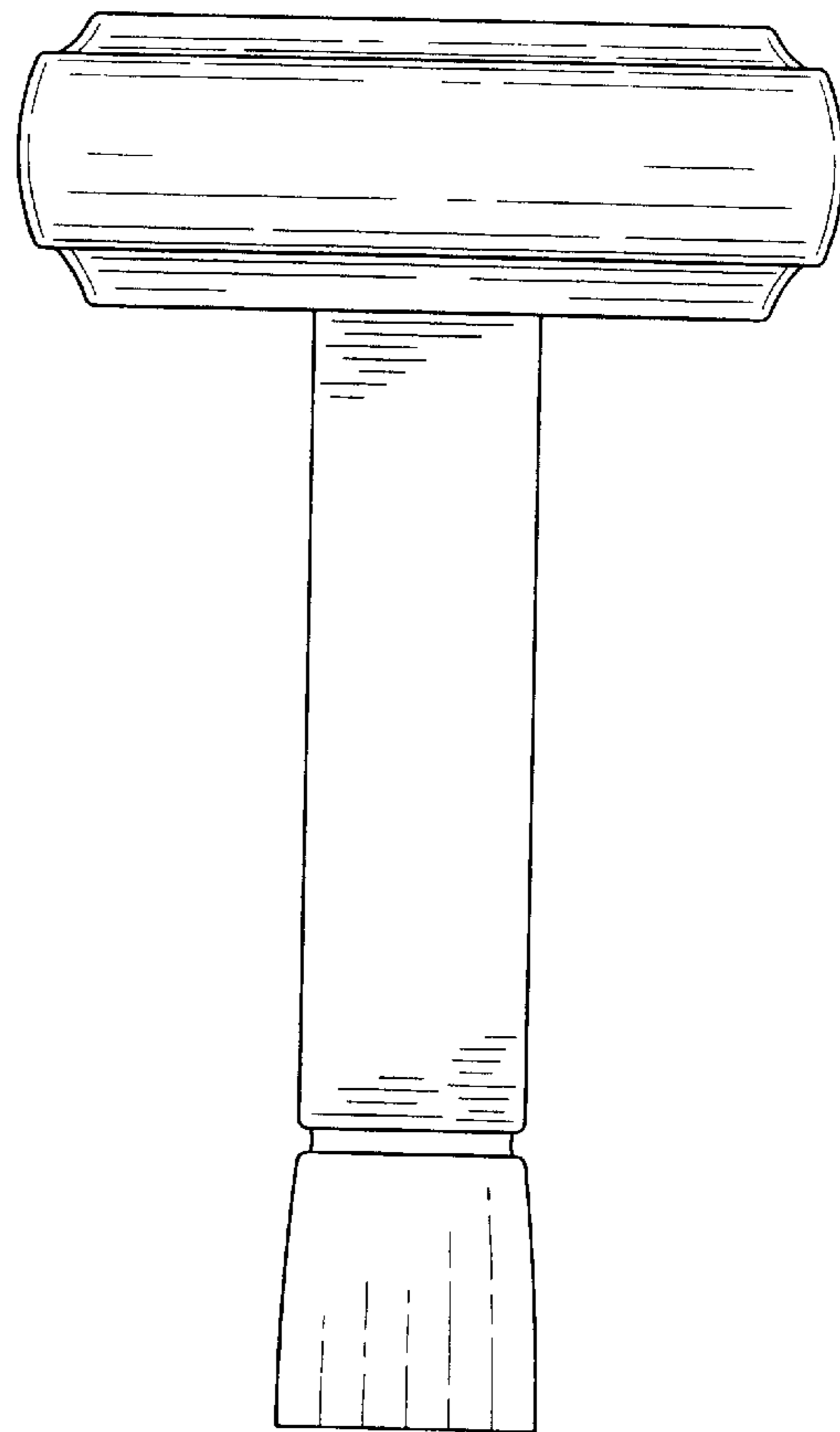
*FIG. 2*



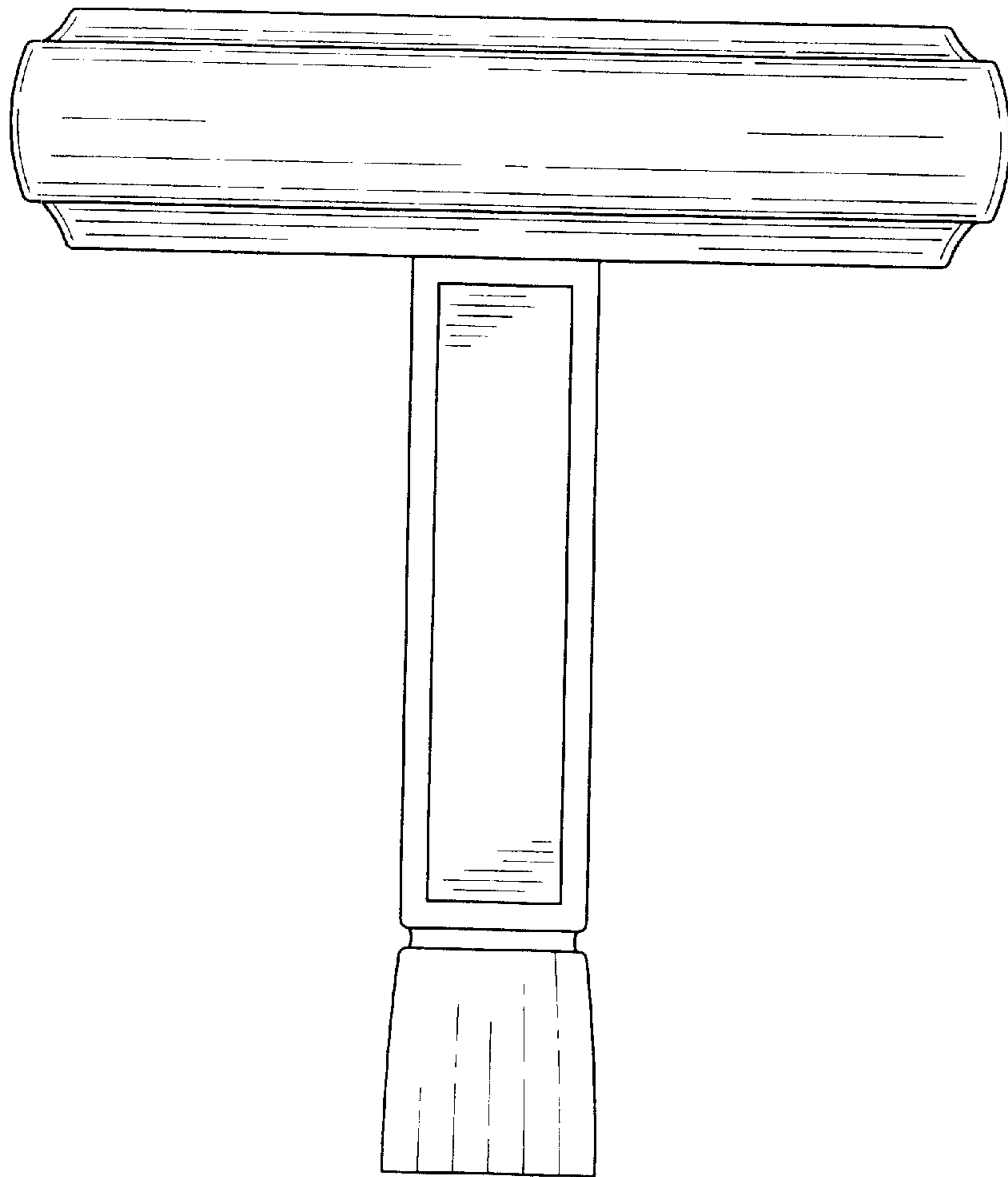
*FIG. 3*



*FIG. 4*



*FIG. 5*



*FIG. 6*