



US00D542886S

(12) **United States Design Patent**  
**Crowley**

(10) **Patent No.:** **US D542,886 S**

(45) **Date of Patent:** **\*\* May 15, 2007**

(54) **ROOF-MOUNTED POP-UP FIRE SUPPRESSION SPRINKLER WITH CONCEALMENT**

(76) Inventor: **Joseph T. Crowley**, 2294A Batavia, Orange, CA (US) 92865

(\*\*) Term: **14 Years**

(21) Appl. No.: **29/226,077**

(22) Filed: **Mar. 23, 2005**

(51) **LOC (8) Cl.** ..... **23-01**

(52) **U.S. Cl.** ..... **D23/214**

(58) **Field of Classification Search** ..... D23/214,  
D23/215, 217, 218; 239/201–203, 208, 289;  
169/56, 46–7, 16

See application file for complete search history.

4,091,876 A	5/1978	Valdetta	
4,175,703 A	11/1979	Valiant	
4,330,040 A	5/1982	Ence	
4,372,493 A	2/1983	Smith	
4,428,434 A	1/1984	Gelaude	
4,453,155 A	6/1984	Cooper	
4,824,020 A	4/1989	Harward	
4,836,290 A	6/1989	LeLande, Jr.	
4,936,388 A	6/1990	Lelande	
4,991,657 A	2/1991	LeLande, Jr.	
5,083,618 A	1/1992	Hayes	
5,125,458 A	6/1992	Berman	
5,165,482 A	11/1992	Smagac et al.	
5,263,543 A	11/1993	Nigro	
D388,502 S	* 12/1997	Kah, III	..... D23/214
5,692,571 A	12/1997	Jackson	
5,732,511 A	3/1998	Scott	
6,079,501 A	6/2000	Schmidt	
6,109,361 A	8/2000	Henderson	
6,167,971 B1	1/2001	Van Lingen	

(Continued)

(56) **References Cited**

**U.S. PATENT DOCUMENTS**

1,489 A	10/1840	Lowell	
128,534 A	7/1872	Carl	
647,875 A	4/1900	Piepenbrink	
964,464 A	7/1910	Crawford-Frost	
1,208,349 A	12/1916	Moody	
1,285,236 A	11/1918	Kohler	
1,507,350 A	9/1924	Franzen	
1,620,142 A	3/1927	Thompson	
1,644,603 A	10/1927	O'Neill	
1,831,880 A	11/1931	Pierce	
1,837,322 A	12/1931	Hamilton	
1,893,210 A	1/1933	Rider	
1,936,732 A	11/1933	Renard	
2,337,710 A	12/1943	Cowan	
2,757,965 A	8/1956	Andrews	
2,865,674 A	12/1958	Jelmeland	
2,968,440 A	* 1/1961	Cone	..... 239/203
3,009,647 A	* 11/1961	Hait	..... 239/201
3,179,181 A	4/1965	Banzato	
3,576,212 A	4/1971	Siler	
3,583,490 A	6/1971	McFadden	

*Primary Examiner*—Robin Webster

(74) *Attorney, Agent, or Firm*—O'Melveny & Myers LLP

(57) **CLAIM**

The ornamental design for a roof-mounted pop-up fire suppression sprinkler with concealment, as shown and described.

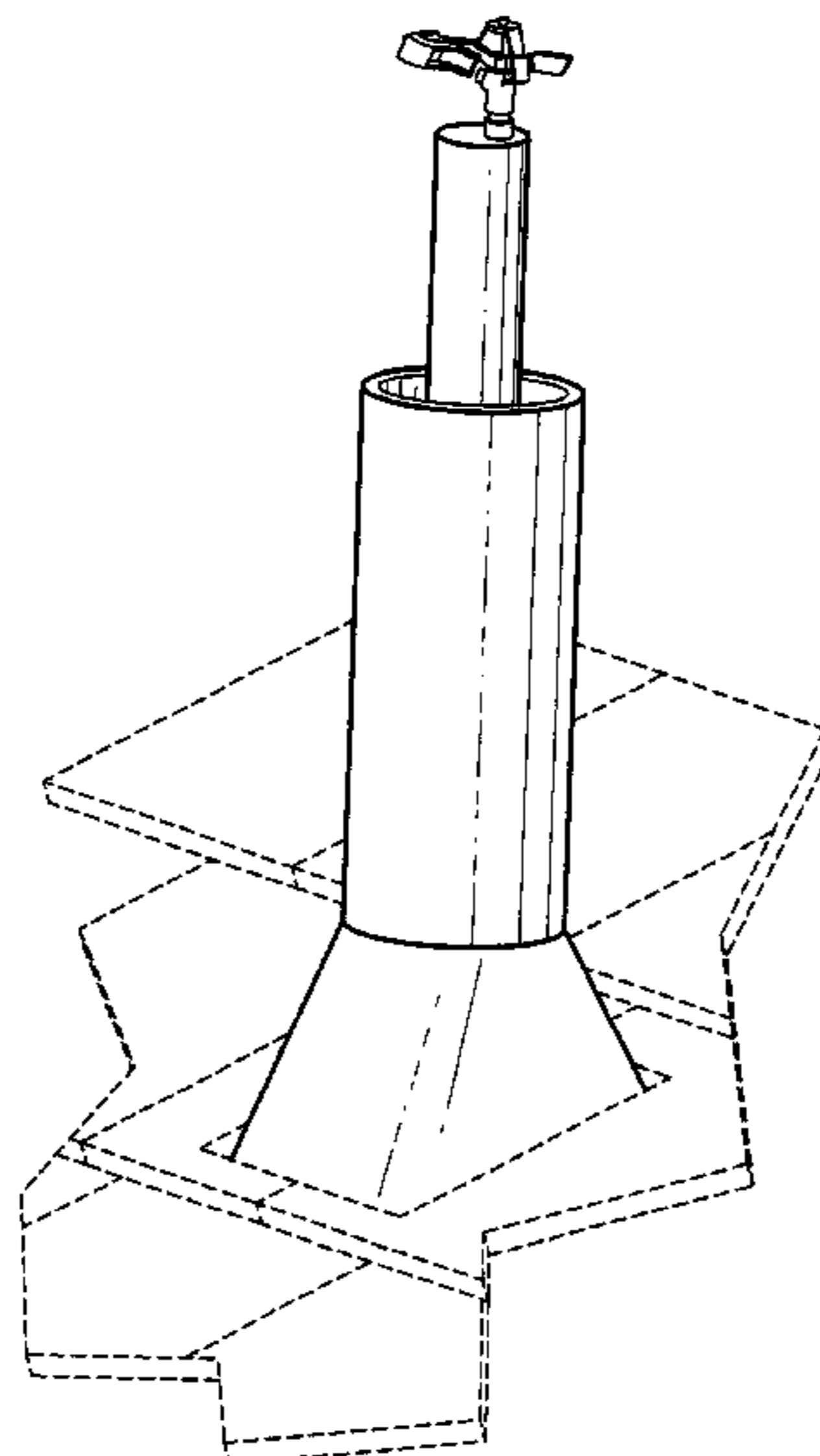
**DESCRIPTION**

FIG. 1 is a perspective view of the roof-mounted pop-up fire suppression sprinkler with concealment, in an extended position. The surrounding roof area forms no part of the design.

FIG. 2 is a perspective view of the roof-mounted pop-up fire suppression sprinkler with concealment, in a retracted position; and,

FIG. 3 is a perspective view of the roof-mounted pop-up fire suppression sprinkler with concealment, in an extended position, from a viewpoint opposite that of FIG. 1.

**1 Claim, 2 Drawing Sheets**



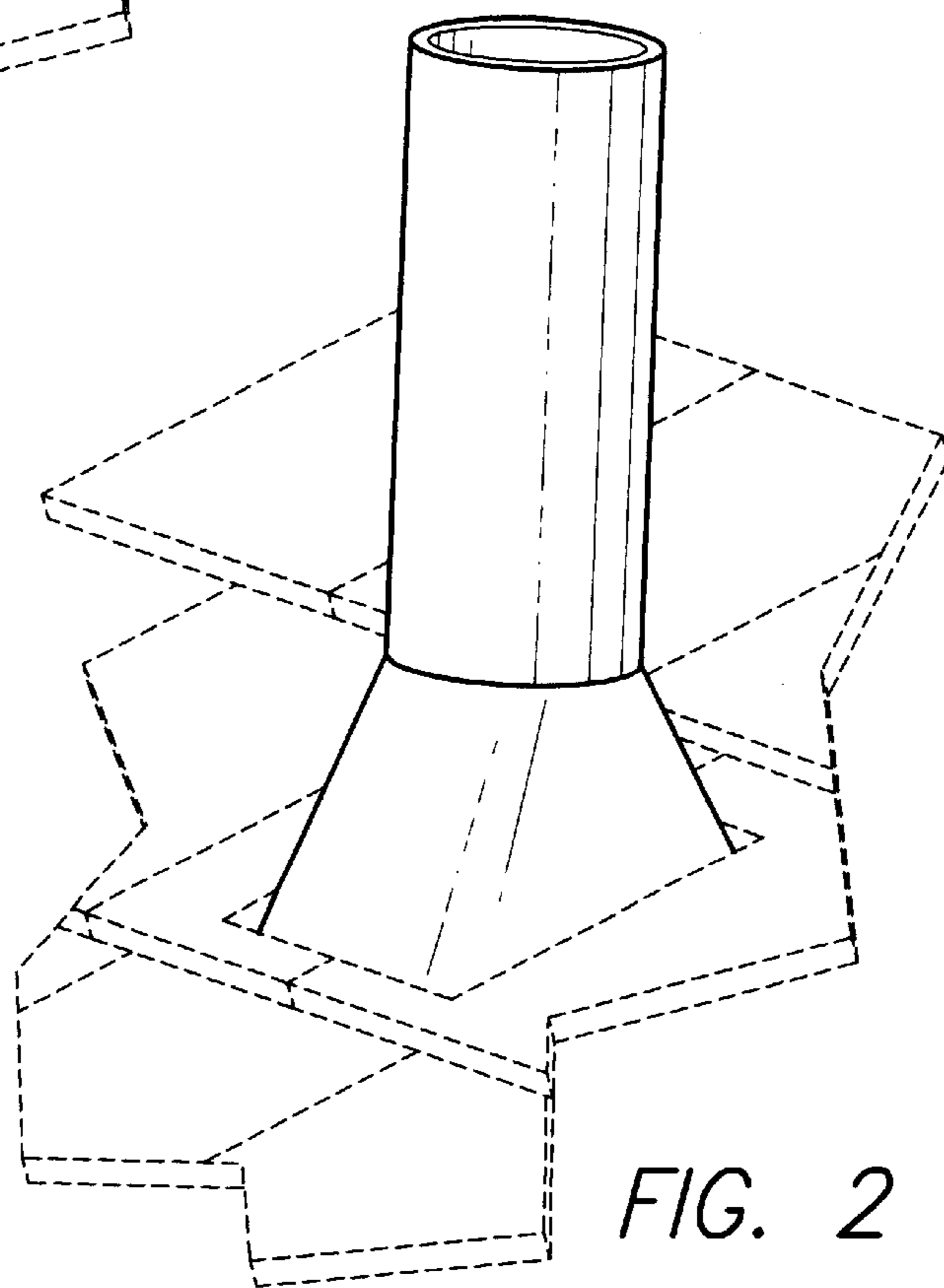
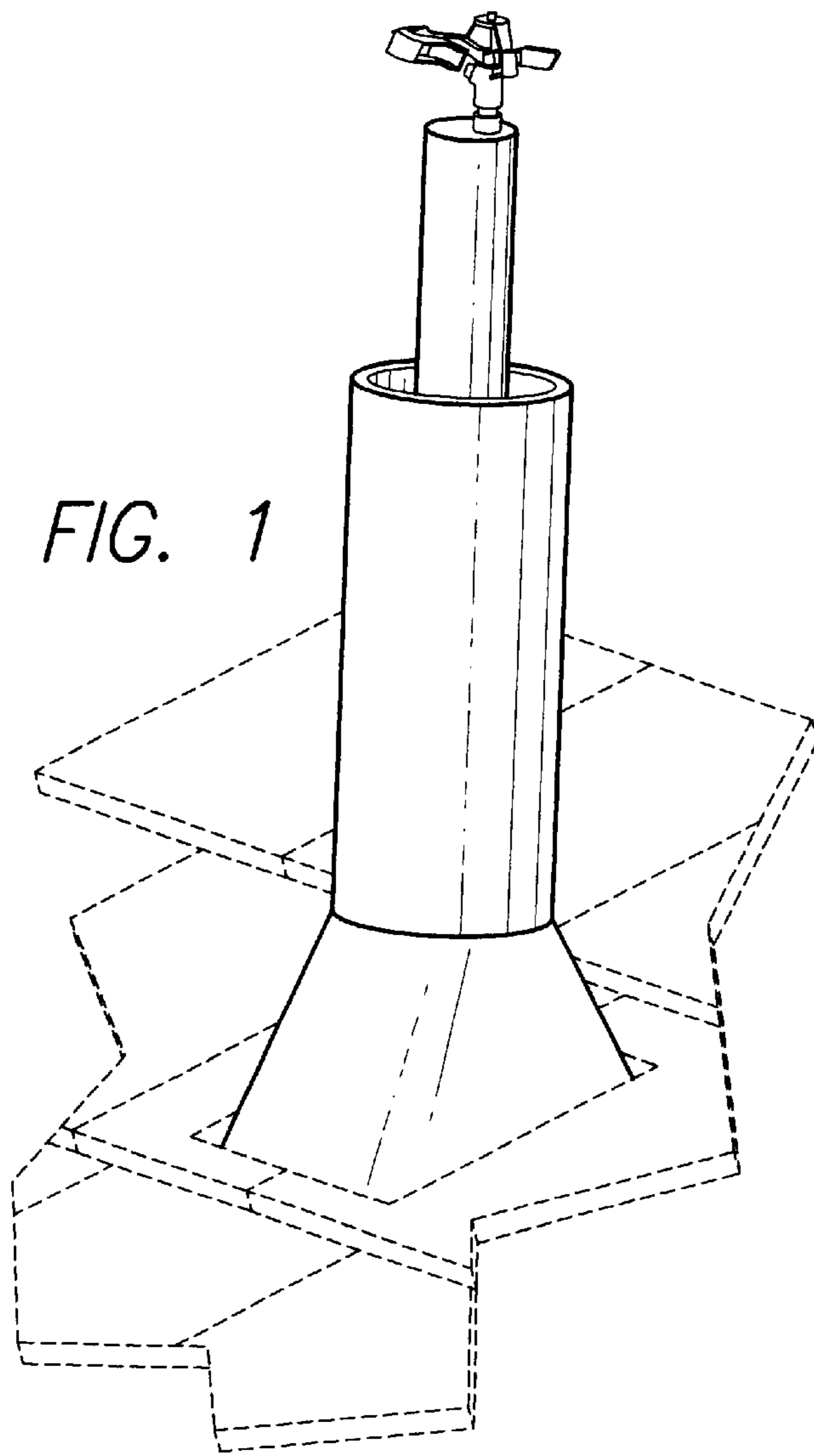
# US D542,886 S

Page 2

---

U.S. PATENT DOCUMENTS			
6,360,968	B1	3/2002	Orrange et al.
6,450,264	B1	9/2002	Christian
6,502,764	B2 *	1/2003	Walker ..... 239/203
6,523,616	B1	2/2003	Wallace
6,629,569	B1	10/2003	Adams
6,629,648	B1 *	10/2003	Jones ..... 239/203
6,679,337	B1	1/2004	Perry et al.
6,799,732	B2 *	10/2004	Sirkin ..... 239/205
6,929,072	B2 *	8/2005	Brown ..... 169/46

\* cited by examiner



*FIG. 2*

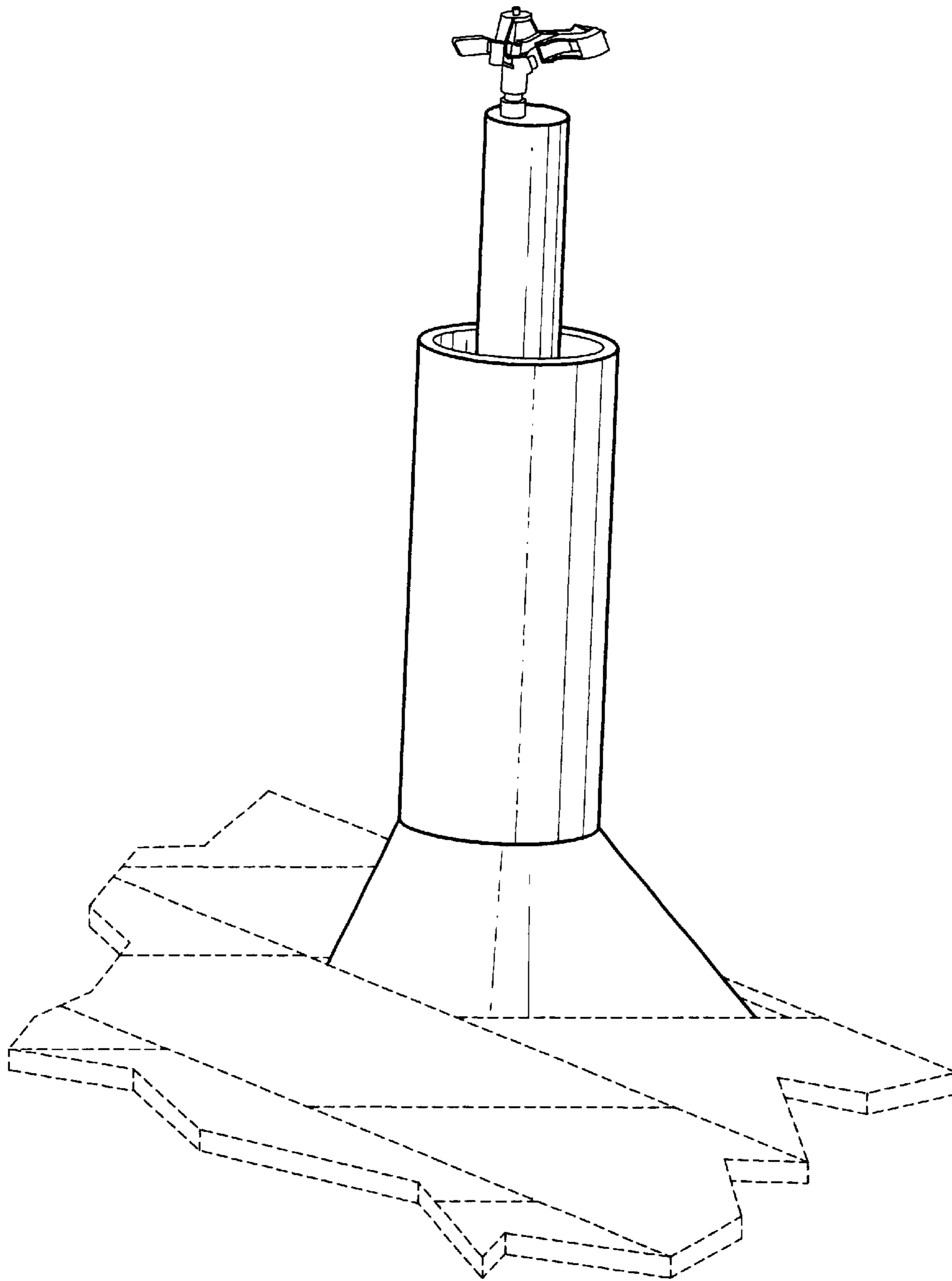


FIG. 3