

US00D542884S

(12) **United States Design Patent**
Johnson

(10) **Patent No.:** **US D542,884 S**

(45) **Date of Patent:** **** May 15, 2007**

(54) **ROD HOLDER**

(75) Inventor: **Douglas A. Johnson**, Henderson, TN
(US)

(73) Assignee: **Manufacturers Industrial Group,
L.L.C.**, Lexington, TN (US)

(**) Term: **14 Years**

(21) Appl. No.: **29/256,770**

(22) Filed: **Mar. 24, 2006**

(51) **LOC (8) Cl.** **22-05**

(52) **U.S. Cl.** **D22/147**

(58) **Field of Classification Search** D22/147-148;
43/21.2, 54.1; 248/516-519, 530, 533, 538,
248/156; 224/922

See application file for complete search history.

(56) **References Cited**

U.S. PATENT DOCUMENTS

729,485	A	*	5/1903	Preiss	248/517
1,467,834	A		9/1923	Brunch	248/514
2,934,298	A		4/1960	Aleskin	248/512
4,730,408	A		3/1988	Miller	43/15
5,355,610	A		10/1994	Sizemore et al.	43/17
5,478,041	A		12/1995	Mayne	248/514
5,519,959	A		5/1996	Cross	43/21.2
5,542,205	A		8/1996	Updike	43/15
5,996,958	A		12/1999	Baynard et al.	248/512

D489,118	S	*	4/2004	Preiss	D22/147
D491,624	S	*	6/2004	Contarino, Jr.	D22/148
D507,817	S	*	7/2005	Mitchell	D22/147

* cited by examiner

Primary Examiner—Catherine R. Oliver

(74) *Attorney, Agent, or Firm*—Warner Norcross & Judd
LLP

(57) **CLAIM**

The ornamental design for rod holder, as shown and described.

DESCRIPTION

FIG. 1 is a perspective view of a rod holder embodying the new design;

FIG. 2 is a right side view thereof, the left side view being a mirror image thereof;

FIG. 3 is a front view thereof;

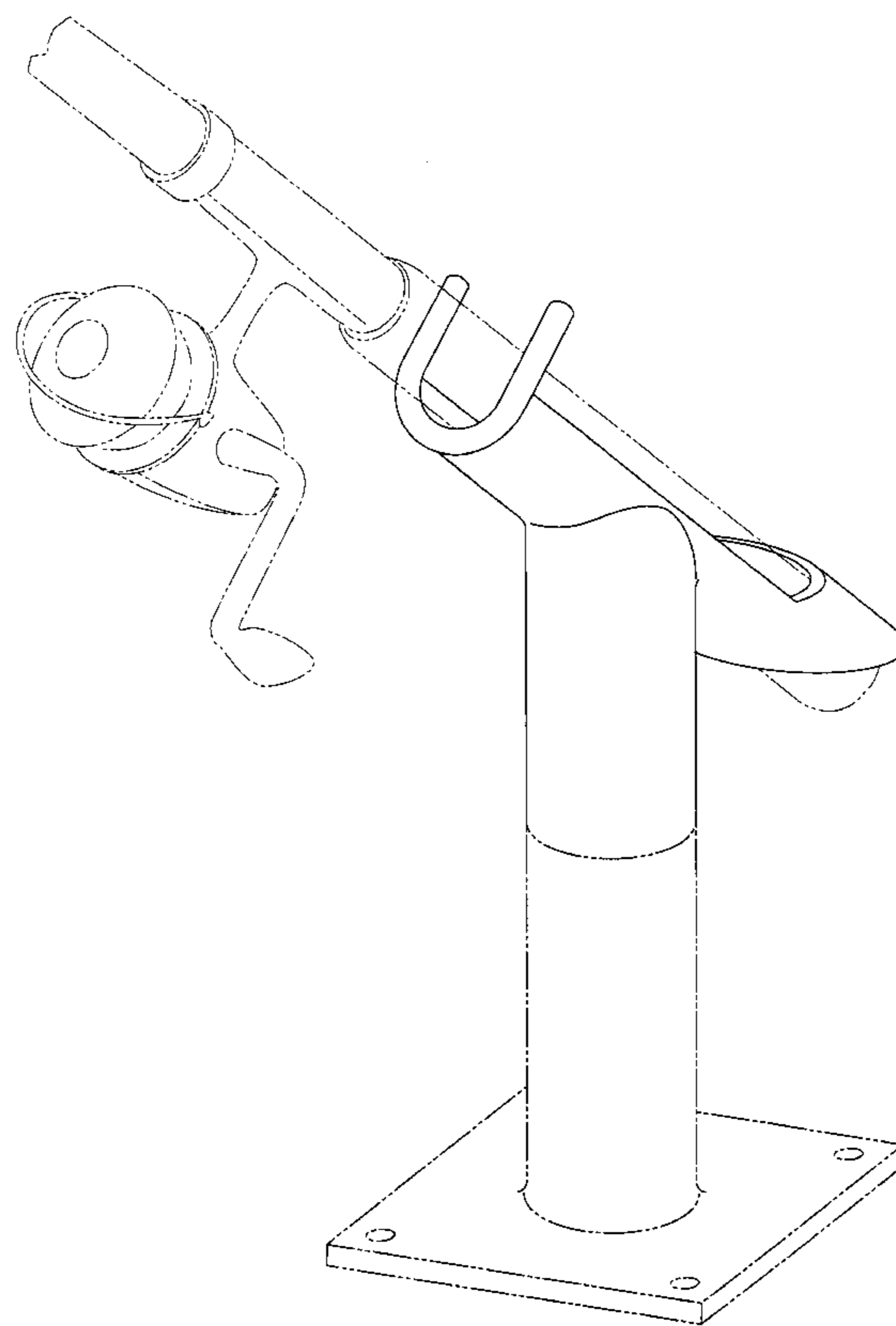
FIG. 4 is a rear view thereof;

FIG. 5 is a top view thereof; and,

FIG. 6 is a bottom view thereof.

FIGS. 1-6 show features of a rod holder and a rod in phantom lines. These features are shown for environmental purposes and do not form any part of the claimed design. Further, the phantom lines immediately adjacent the solid-line portions of the design form the boundary of the design, with the phantom lines forming no part of the claimed design.

1 Claim, 6 Drawing Sheets



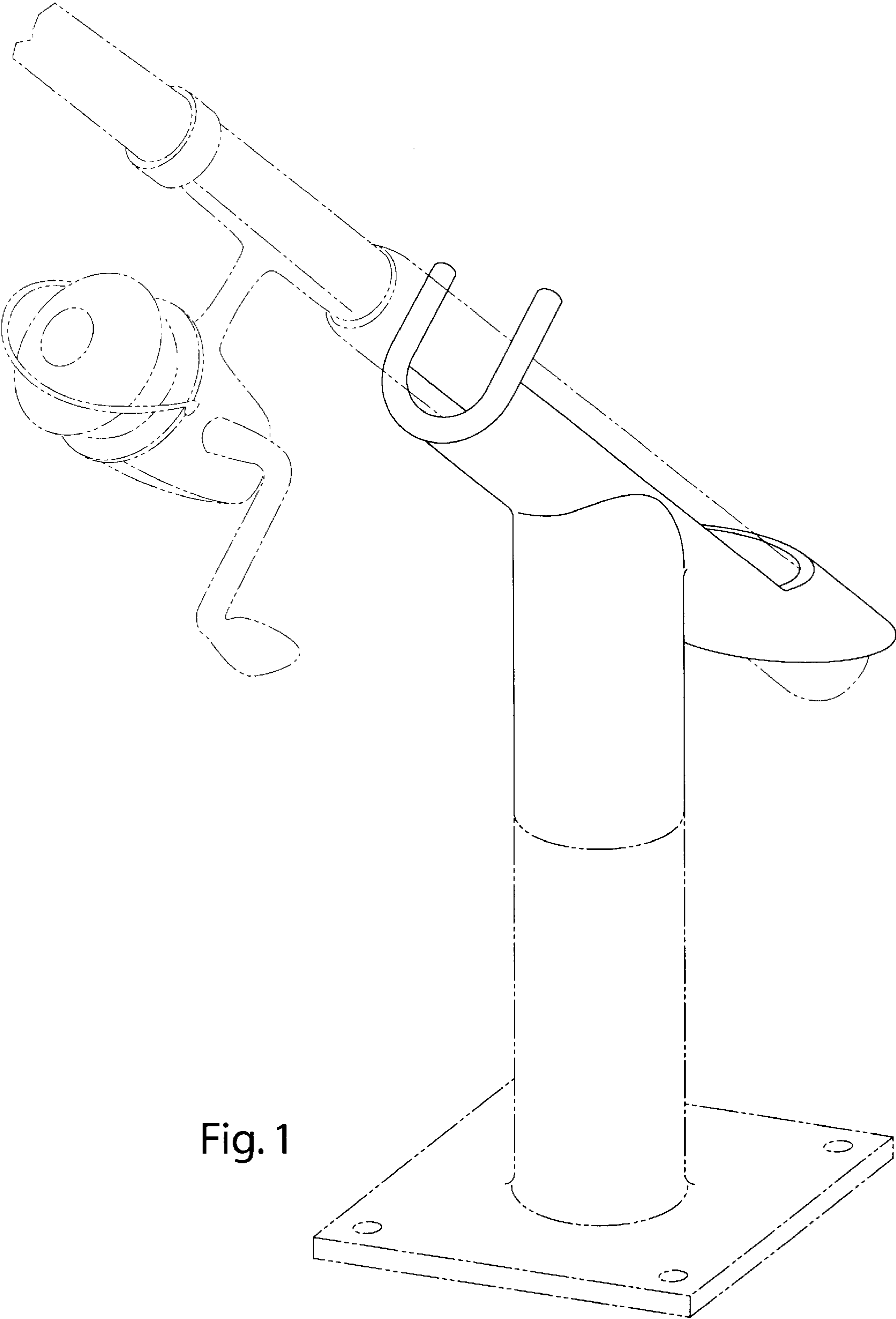


Fig. 1

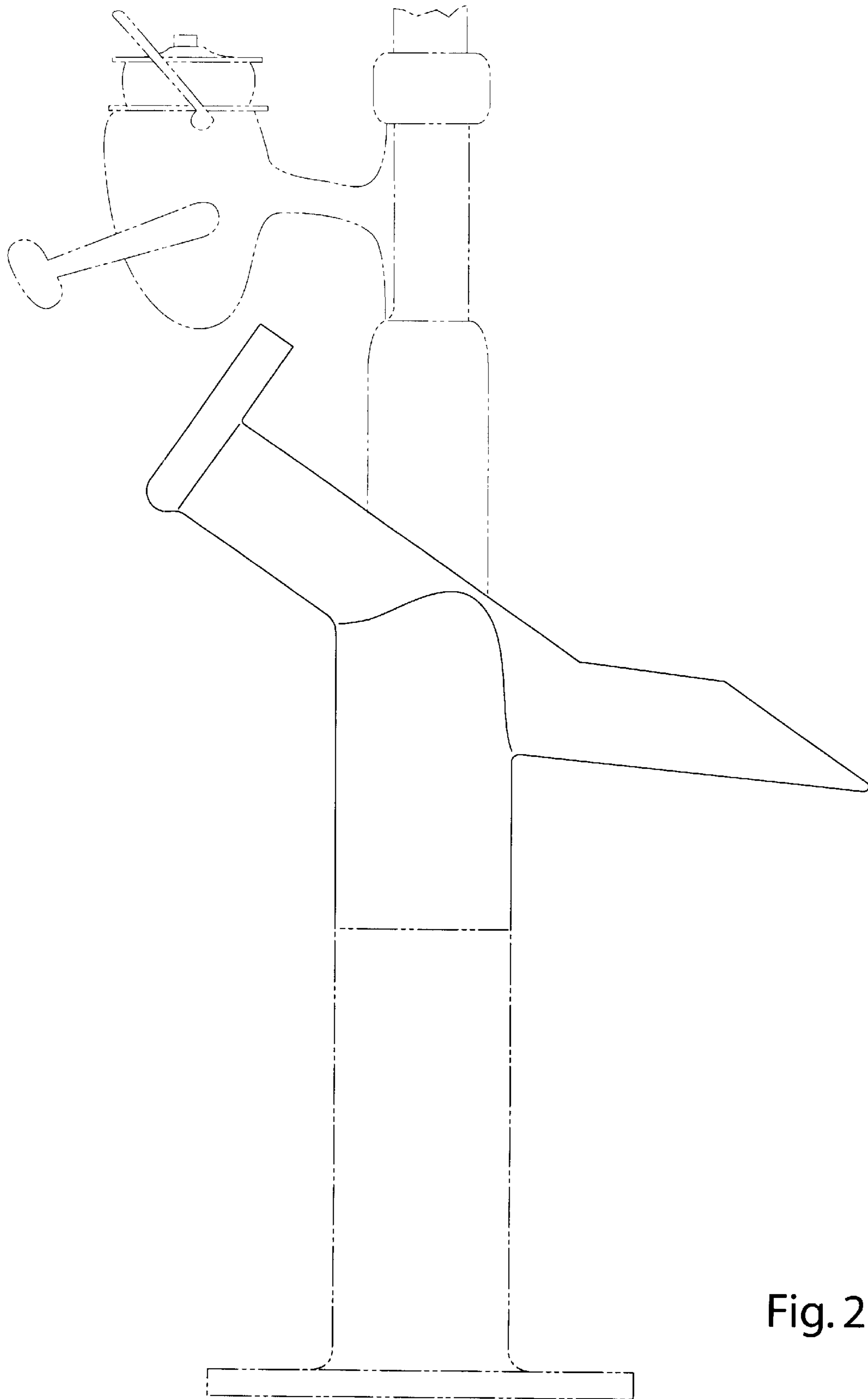


Fig. 2

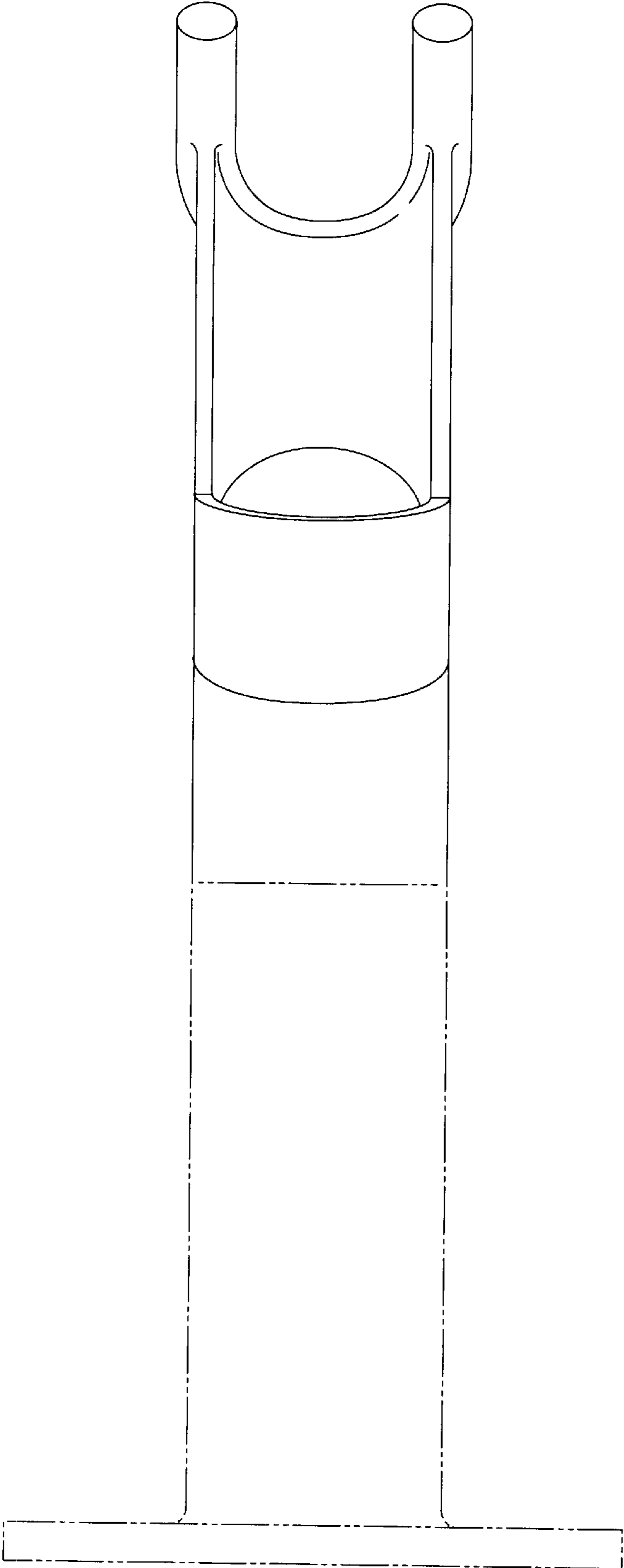


Fig. 3

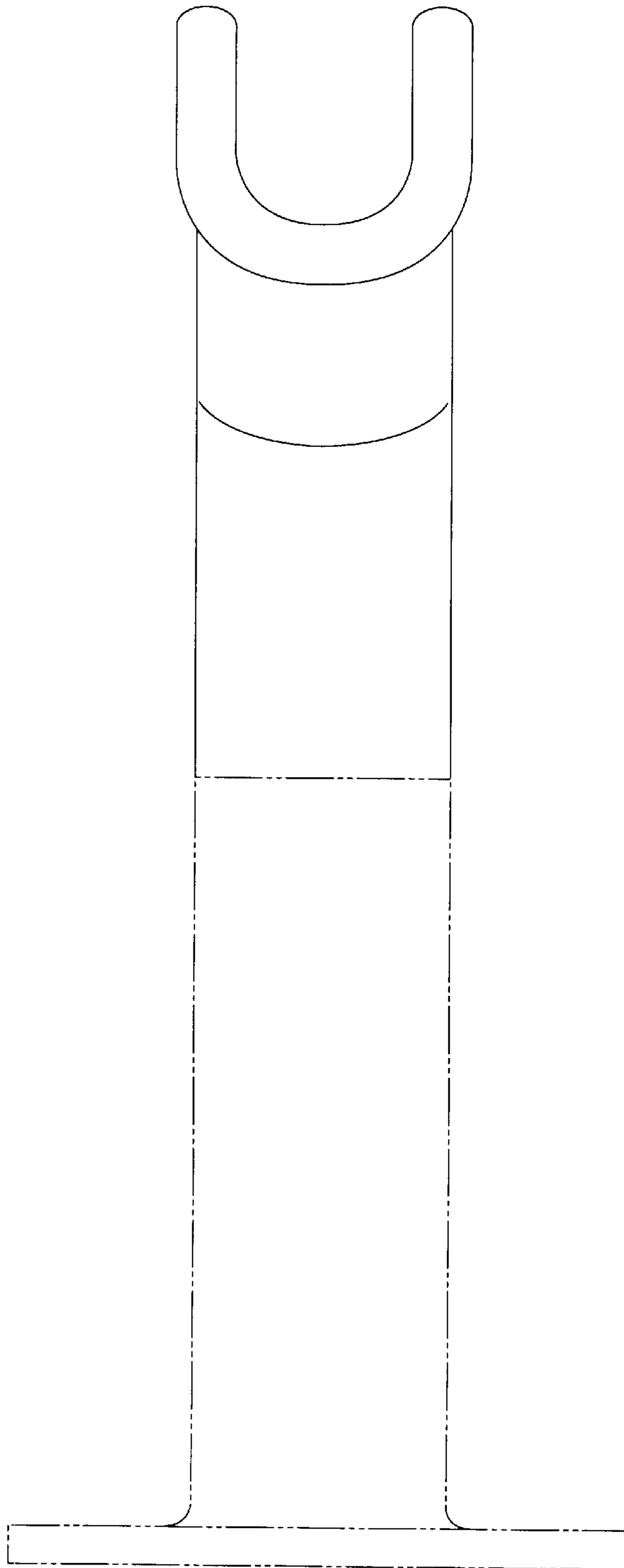


Fig. 4

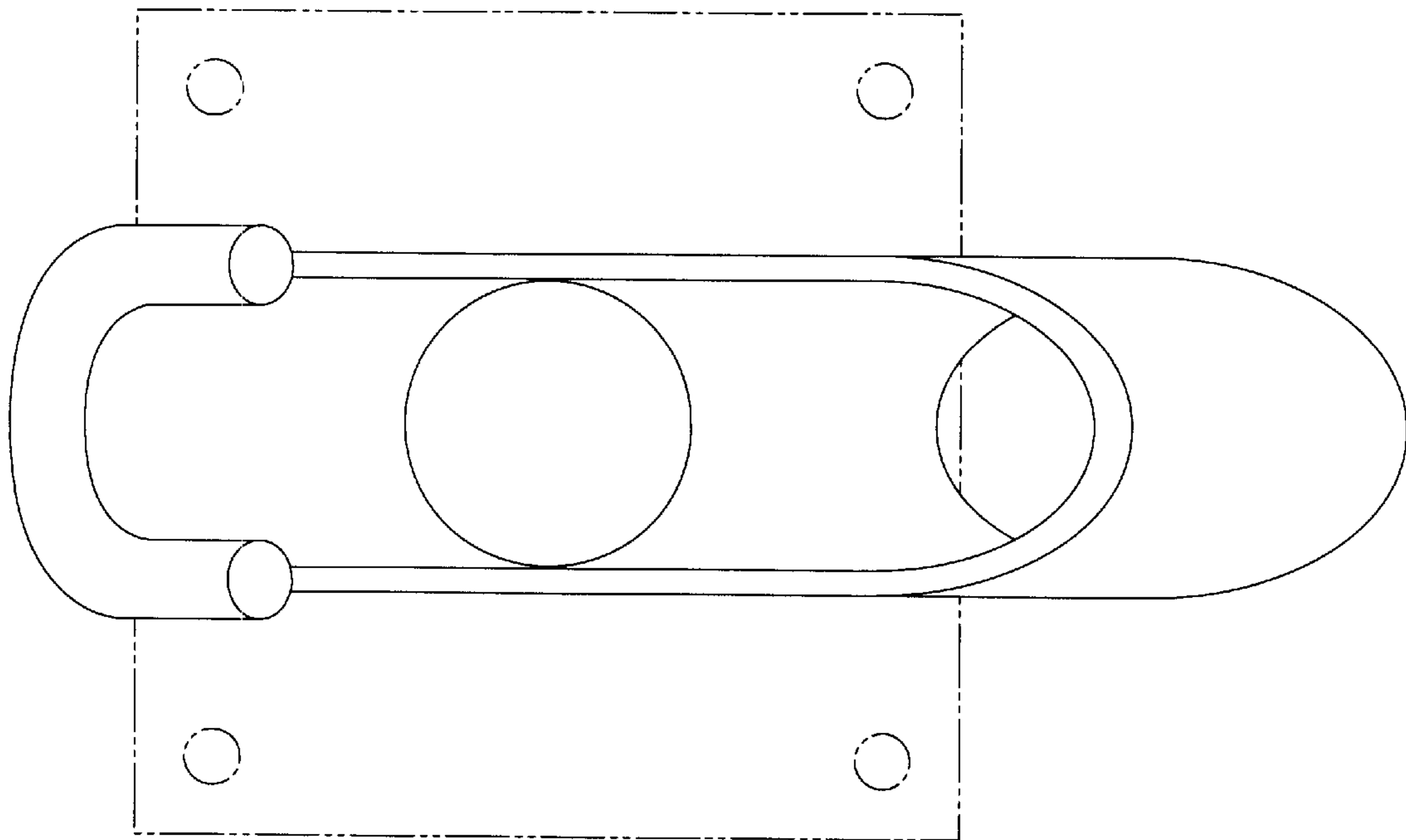


Fig. 5

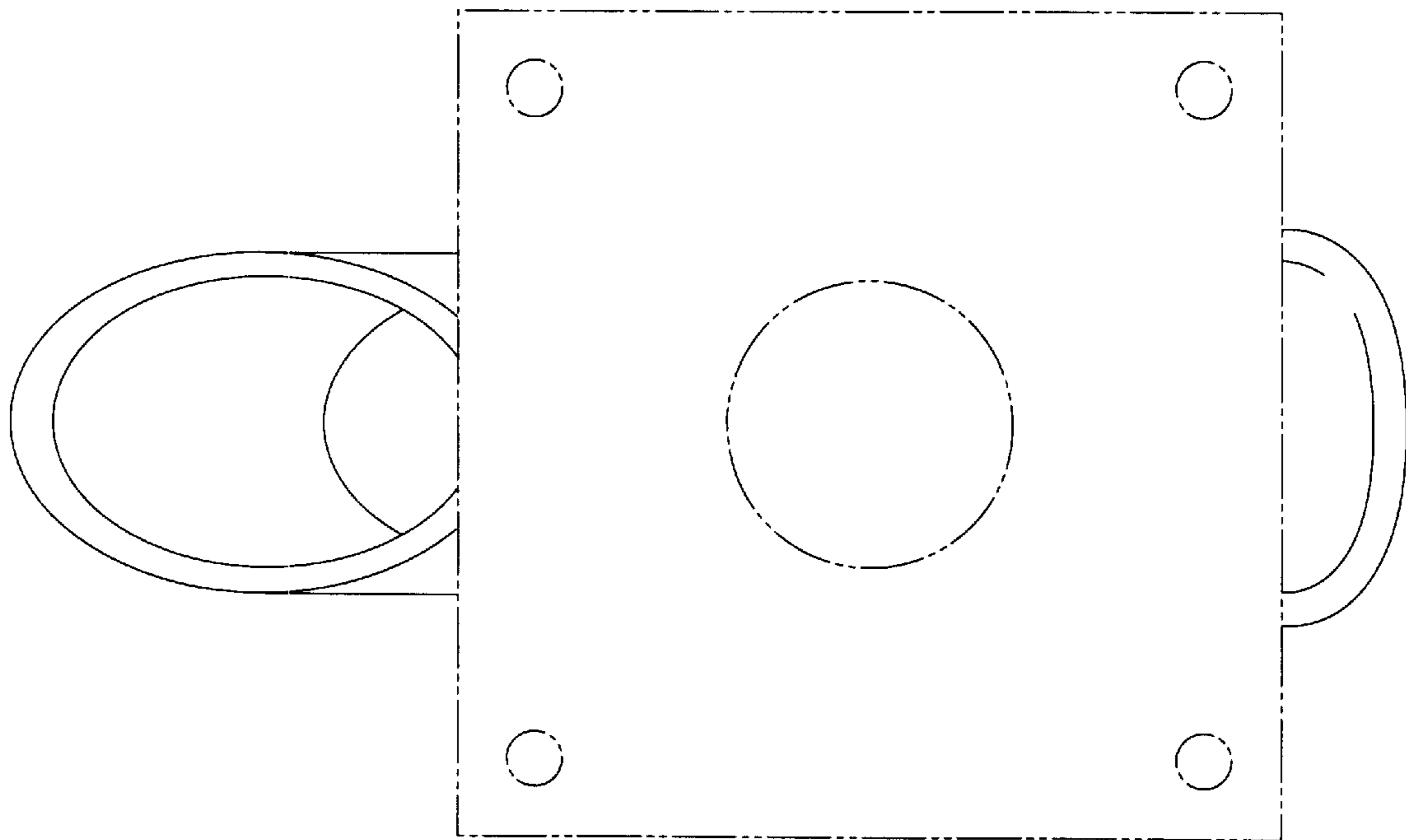


Fig. 6