



US00D542879S

(12) **United States Design Patent**  
**Zaderey**

(10) **Patent No.:** **US D542,879 S**

(45) **Date of Patent:** **\*\* May 15, 2007**

(54) **RETICLE FOR A WEAPON AIMING DEVICE**

(75) Inventor: **Sergey Yury Zaderey**, Portland, OR (US)

(73) Assignee: **Leupold & Stevens, Inc.**, Beaverton, OR (US)

(\*\*) Term: **14 Years**

(21) Appl. No.: **29/226,654**

(22) Filed: **Mar. 30, 2005**

(51) **LOC (8) Cl.** ..... **22-01**

(52) **U.S. Cl.** ..... **D22/109; D22/108**

(58) **Field of Classification Search** ..... D22/108;  
D16/130, 134; 33/297, 398; 42/122, 130;  
356/21, 29, 250–252, 139.02; 359/424, 428;  
235/414

See application file for complete search history.

(56) **References Cited**

U.S. PATENT DOCUMENTS

647,123 A *	4/1900	Warner	42/140
1,009,148 A *	11/1911	Hoffman	42/130
1,190,121 A	7/1916	Critchett	

(Continued)

OTHER PUBLICATIONS

KAHLES GmbH, TDS Tri-Factor Reticle System, [www.kahlesoptik.com/products/tds\\_reticle.html](http://www.kahlesoptik.com/products/tds_reticle.html), visited Oct. 15, 2003, 2 pgs.

KAHLES GmbH, TDS Tri-Factor Reticle System Step 1, [www.kahlesoptik.com/products/step1.html](http://www.kahlesoptik.com/products/step1.html), visited Oct. 15, 2003, 2 pgs.

KAHLES GmbH, TDS Tri-Factor Reticle System Step 2, [www.kahlesoptik.com/products/step2.html](http://www.kahlesoptik.com/products/step2.html), visited Oct. 15, 2003, 2 pgs.

(Continued)

*Primary Examiner*—Ian Simmons

*Assistant Examiner*—Melanie Levy

(74) *Attorney, Agent, or Firm*—Stoel Rives LLP

(57) **CLAIM**

I claim the ornamental design for a reticle for a weapon aiming device, as shown and described.

**DESCRIPTION**

© 2005 Leupold & Stevens, Inc. A portion of the disclosure of this patent document contains material which is subject to copyright protection. The copyright owner has no objection to the facsimile reproduction by anyone of the patent document or the patent disclosure, as it appears in the Patent and Trademark Office patent file or records, but otherwise reserves all copyright rights whatsoever. 37 CFR § 1.71 (d).

FIG. 1 depicts a reticle for a weapon aiming device, in accordance with a first embodiment, as viewed through an eyepiece of a riflescope;

FIG. 2 depicts a reticle for a weapon aiming device, in accordance with a second embodiment, as viewed through an eyepiece of a riflescope;

FIG. 3 depicts a reticle for a weapon aiming device, in accordance with a third embodiment, as viewed through an eyepiece of a riflescope;

FIG. 4 is a perspective view showing of an environment of use for the reticles of FIGS. 1–3;

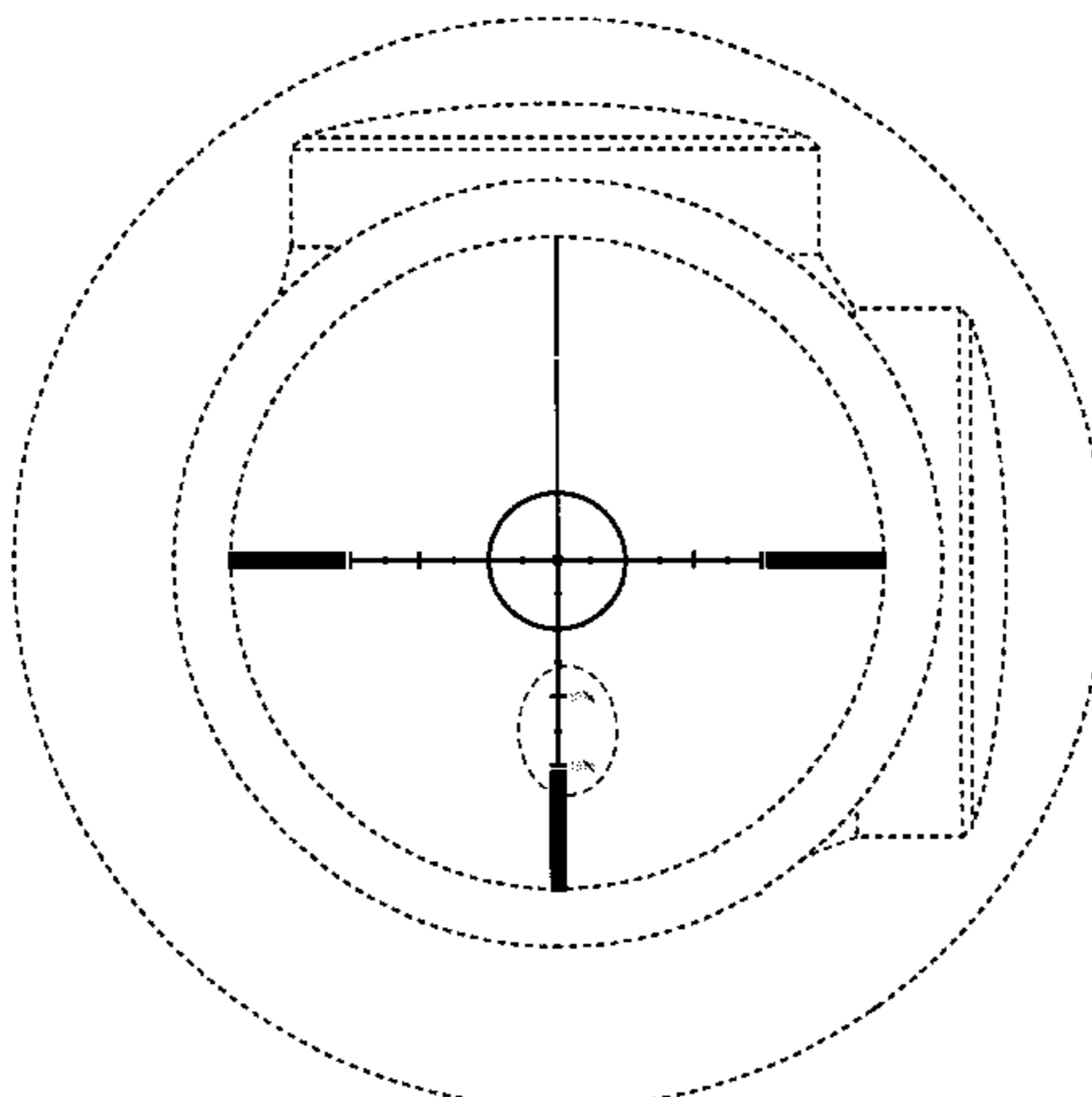
FIG. 5 is an enlarged fragmentary view of a portion of the reticle of FIG. 1 showing details of alpha-numeric indicia of FIG. 1 in dashed lines, for clarity;

FIG. 6 is an enlarged fragmentary view of a portion of the reticle of FIG. 2 showing details of a range-estimation scale and alpha-numeric indicia of FIG. 2 in dashed lines, for clarity; and,

FIG. 7 is an enlarged fragmentary view of a portion of the reticle of FIG. 3 showing details of a range-estimation scale and alpha-numeric indicia of FIG. 3 in dashed lines, for clarity.

In FIGS. 1–7, the dashed lines indicate environmental features and drawing legends that form no part of the claimed design. In FIGS. 1–3 and 5–7, the alpha-numeric indicia along the vertical aiming line form no part of the claimed design. In FIGS. 2, 3, 6, and 7, the range-estimation scale in the lower left quadrant of the reticle forms no part of the claimed design. The copyright notices in FIGS. 1–3 form no part of the claimed design.

**1 Claim, 7 Drawing Sheets**



U.S. PATENT DOCUMENTS

1,406,620	A	2/1922	Dear	
1,428,389	A *	9/1922	Miller	42/133
2,171,571	A	9/1939	Karnes	
2,464,521	A	3/1949	McCall	
3,058,391	A	10/1962	Leupold	
3,190,003	A	6/1965	O'Brien	
3,297,389	A	1/1967	Gibson	
3,313,026	A	4/1967	Akin, Jr.	
3,381,380	A	5/1968	Thomas	
3,392,450	A	7/1968	Herter et al.	
3,431,652	A	3/1969	Leatherwood	
3,470,616	A	10/1969	Thompson	
3,492,733	A	2/1970	Leatherwood	
3,499,224	A *	3/1970	Jenny et al.	42/140
3,540,256	A	11/1970	Thompson	
3,684,376	A	8/1972	Lessard	
3,826,012	A	7/1974	Pachmayr	
3,948,587	A	4/1976	Rubbert	
4,263,719	A	4/1981	Murdoch	
4,285,137	A	8/1981	Jennie	
4,380,876	A *	4/1983	Strassburg	33/297
4,389,791	A	6/1983	Ackerman	
4,403,421	A	9/1983	Shepherd	
4,584,776	A	4/1986	Shepherd	
4,618,221	A	10/1986	Thomas	
4,806,007	A	2/1989	Bindon	
D306,173	S	2/1990	Reese	
4,957,357	A	9/1990	Barns et al.	
5,616,903	A	4/1997	Springer	
D397,704	S	9/1998	Reese	
D403,686	S	1/1999	Reese	
5,920,995	A	7/1999	Sammur	
6,032,374	A	3/2000	Sammur	
6,357,158	B1	3/2002	Smith, III	
D456,057	S	4/2002	Smith, III	
6,453,595	B1	9/2002	Sammur	
6,516,551	B2	2/2003	Gaber	
D475,758	S	6/2003	Ishikawa	
6,574,900	B1	6/2003	Malley	
6,591,537	B2	7/2003	Smith	
D506,520	S	6/2005	Timm et al.	
D517,153	S	3/2006	Timm et al.	
2004/0016168	A1	1/2004	Thomas et al.	
2005/0021282	A1	1/2005	Sammur et al.	
2005/0229468	A1	10/2005	Zaderey et al.	

OTHER PUBLICATIONS

KAHLES GmbH, TDS Tri-Factor Reticle System Step 3, [www.kahlesoptik.com/products/step3.html](http://www.kahlesoptik.com/products/step3.html), visited Oct. 15, 2003, 2 pgs.

KAHLES GmbH, TDS Tri-Factor Reticle System Step 4, [www.kahlesoptik.com/products/step4.html](http://www.kahlesoptik.com/products/step4.html), visited Oct. 15, 2003, 2 pgs.

KAHLES GmbH, TDS Tri-Factor Reticle System Decals, [www.kahlesoptik.com/products/decals.html](http://www.kahlesoptik.com/products/decals.html), visited Oct. 20, 2003, 3 pgs.

KAHLES GmbH, Bullet Sight-In and TDS Factor Chart Selection Reference Table, [www.kahlesoptik.com/products/table.html](http://www.kahlesoptik.com/products/table.html), visited Oct. 15, 2003, 5 pgs.

Swarovski Optik, TDS Tri-Factor Reticle System, "An Introduction and Familiarization on How Col. T.D. Smith's Shooting System Works", [www.sportingrifles.com/tds\\_tri.htm](http://www.sportingrifles.com/tds_tri.htm), visited Oct. 16, 2003, 5 pgs.

Leupold & Stevens Inc., Leupold 2003 Catalog; Nov. 2002, pp. 8, 9, 25 & 30.

Bray, Dr. Derek, "ISEMD Course External Ballistics Trajectory Modelling", Cranfield University, <http://www.rmcs.cranfield.ac.uk/aerextra/isemdtrajmod.ppt>, visited Oct. 6, 2003, 23 pgs.

Intelligence Systems Group, "What is Ballistic Coefficient and How is it Calculated," Topic of the Month: Sep. 2001, [www.loadammo.com/Topics/September01.htm](http://www.loadammo.com/Topics/September01.htm), 3 pgs.

Bercovitz, John; "Hatcher's Notebook—errata," [www.yarchive.net/gun/hatchers\\_notebook.html](http://www.yarchive.net/gun/hatchers_notebook.html), visited Nov. 1, 2003, 3 pgs.

Ingalls Tables Historical Summary, [www.51phantom.com/ebexplained/4th/30.cfmingalls+tables&hl=en&ie=utf-8](http://www.51phantom.com/ebexplained/4th/30.cfmingalls+tables&hl=en&ie=utf-8), visited Nov. 1, 2003, 4 pgs.

Schmidt & Bender GmbH. "Rifle Scopes Built for the Demanding Needs of the Precision Sharpshooter," 3 pgs (date unknown).

Shepherd Scope Ltd., Shepherd's Easy One Shot Zero, product brochure, 2 pgs (date unknown).

Swarovski Optik, advertisement for "Christmas Tree Reticle", 1 page (date unknown).

Trijicon, Inc., Bindon Aiming Concept Reticles, 5 pgs (date unknown).

Nightforce Precision Optics, Illuminated Reticles, 1 page (date unknown).

Elcan Optical Technologies, SpecterIR Thermal Weapon Sight, M240/M249 Machine Gun Reticle and M4 Carbine Reticle, 10 pgs (date unknown).

Burriss, Optics, Plex Reticle and Ballistic Mil-Dot Reticle, <http://www.burrissoptics.com/reticles.html>, 3 pgs (date unknown).

Carl Zeiss, Reticles, 2 pgs (date unknown).

Simmons Outdoor Corporation, 2003 Catalog, pp. 9 and 11.

Premier Reticles, Ltd., Introducing the Next Generation Mil-dot reticle-GEN 2 MIL-DOT, [www.premierreticles.com/gen2.html](http://www.premierreticles.com/gen2.html), visited Nov. 21, 2002, 2 pgs.

Premier Reticles, Ltd., Mil-dot User Guide, [www.premierreticles.com/mildotgu.htm](http://www.premierreticles.com/mildotgu.htm), visited Nov. 21, 2002, 14 pgs.

Premier Reticles, Ltd., 2002 Pricing & Information/Catalog, Aug. 1, 2002, 21 pgs.

German text on riflescopes: "Zusammenstellung Moglicher Zielfernrohr-Absehen", p. 477 (date unknown).

Redfield Optics, LE-9 Sniper Reticle, Jul. 19, 1994, 1 page.

\*\*D.O.D. Proprietary Data\*\* Drawing for Special Reticle for SSG86-10 Power Optic for Exclusive Use by Gun South, Inc., Jun. 30, 1986, 1 page.

U.S. Appl. No. 29/226,205, filed Mar. 25, 2005.

U.S. Appl. No. 10/933,856, filed Sep. 3, 2004.

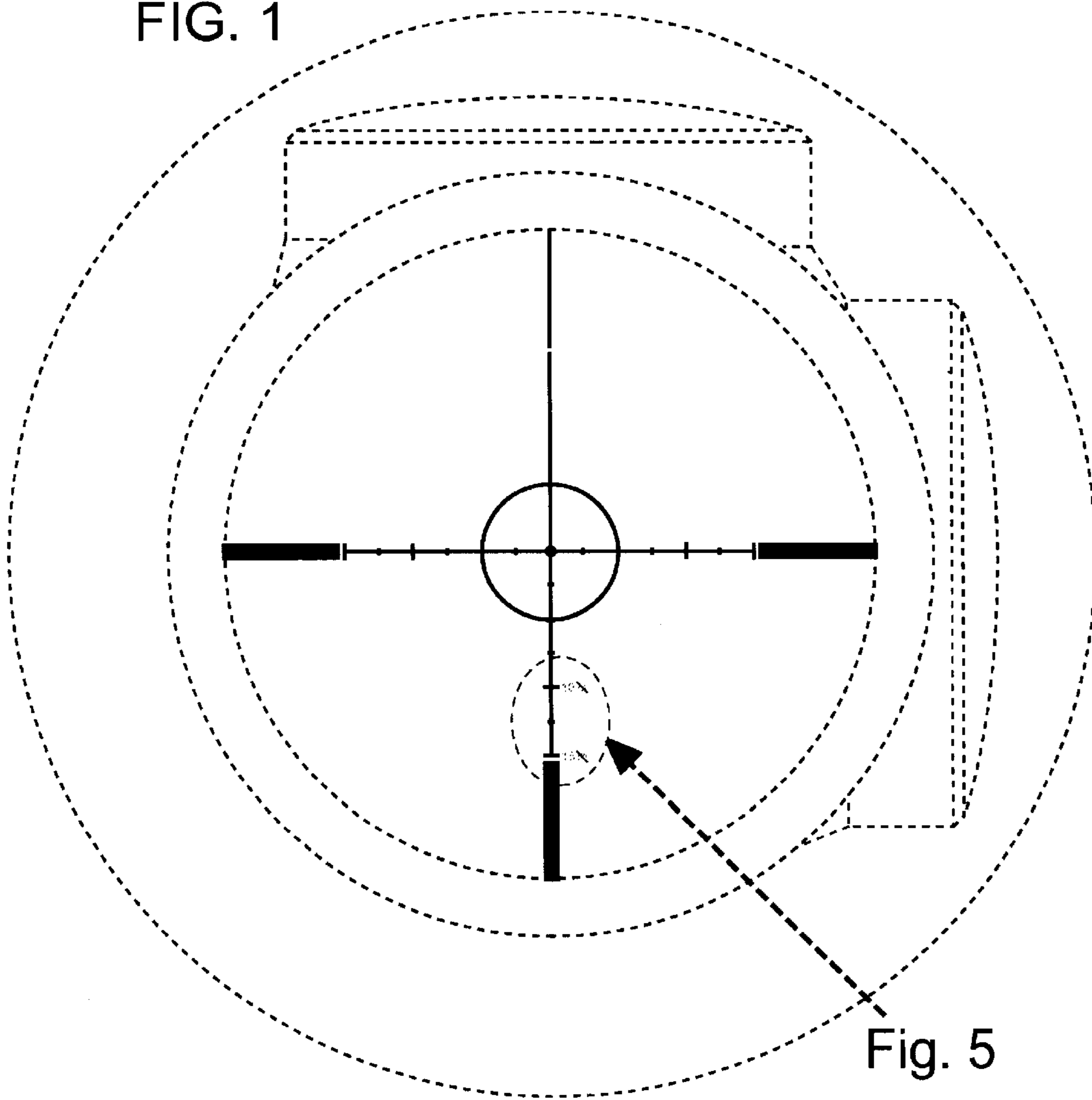
U.S. Appl. No. 60/626,987, filed Nov. 10, 2004.

Nightforce Optics, Reticle Selection, <http://www.nightforceoptics.com>, visited Feb. 11, 2005, 6 pages.

Schmidt & Bender, Standard Reticles, <http://www.schmidtbender.com/reticlesstandard.htm>, visited Feb 11, 2005, 2 pages.

\* cited by examiner

FIG. 1



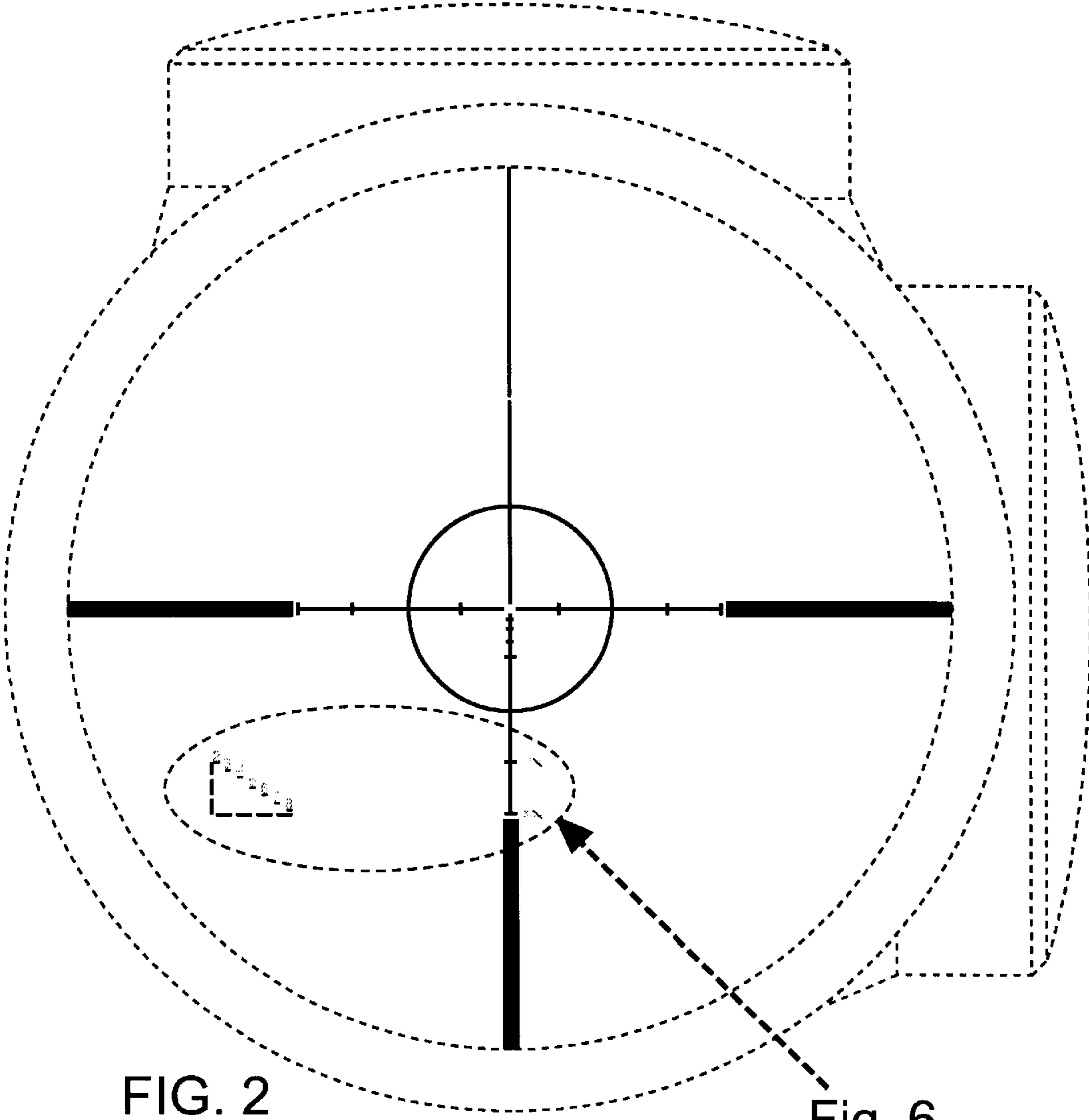


FIG. 2

Fig. 6

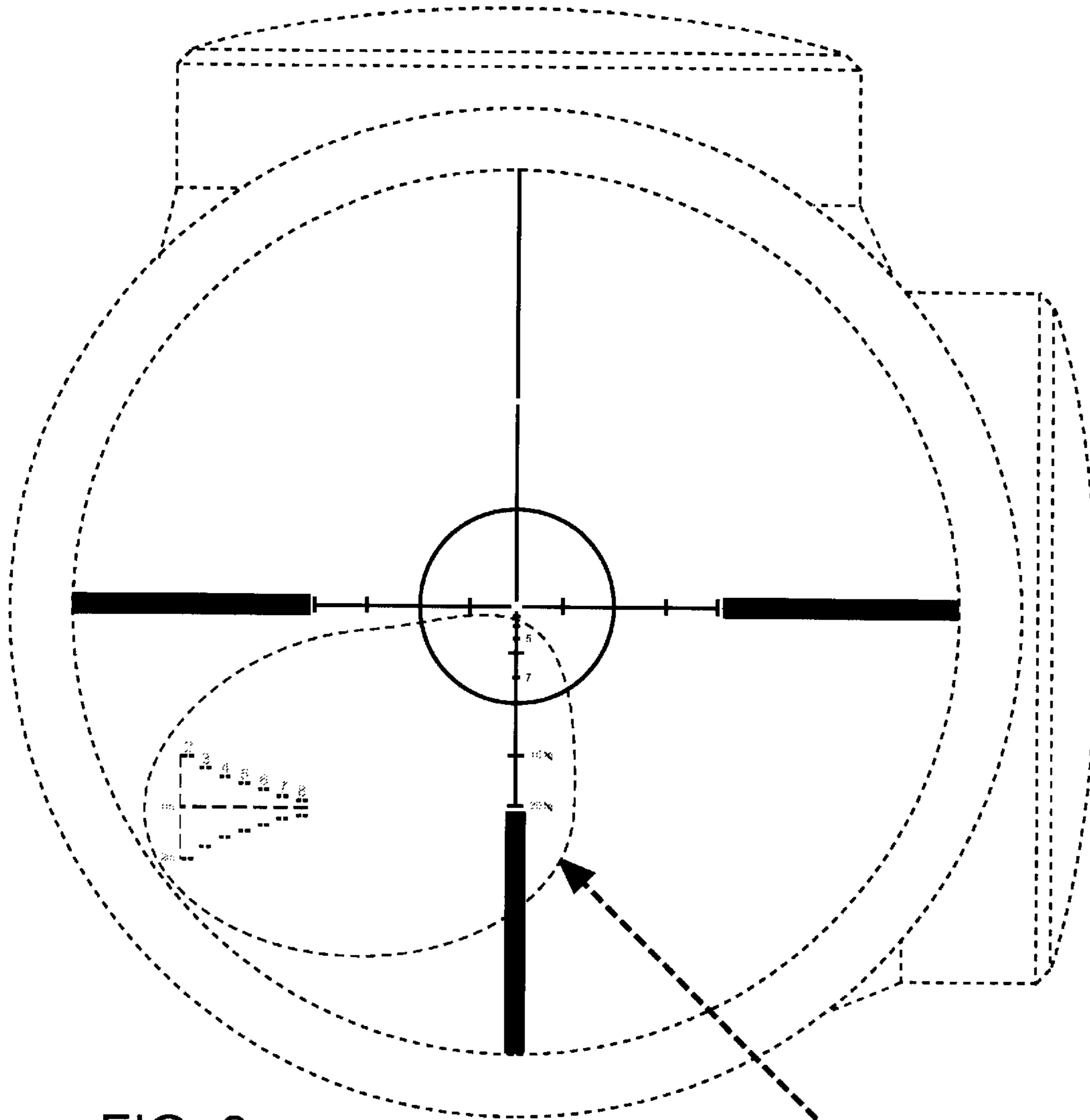


FIG. 3

Fig. 7

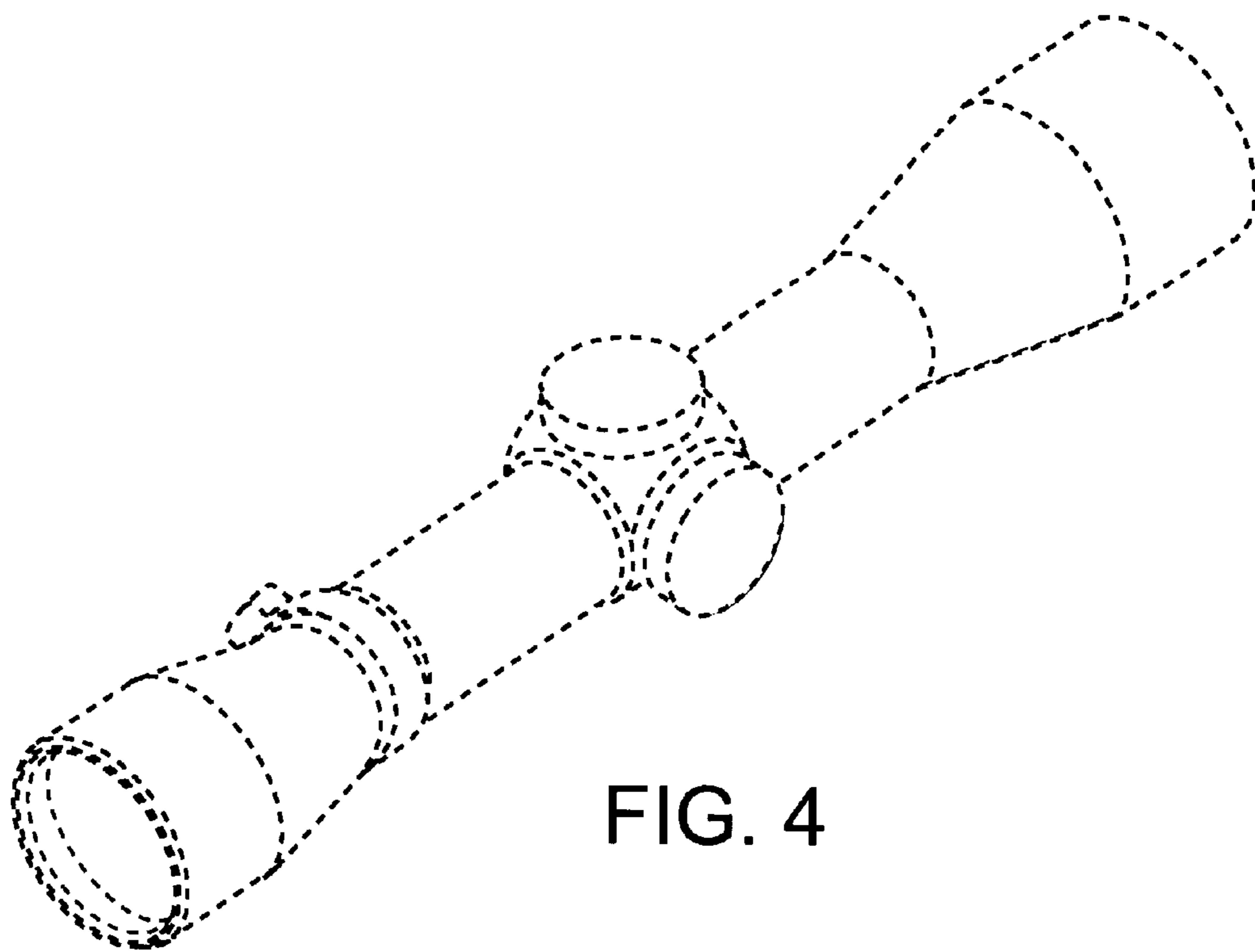


FIG. 4

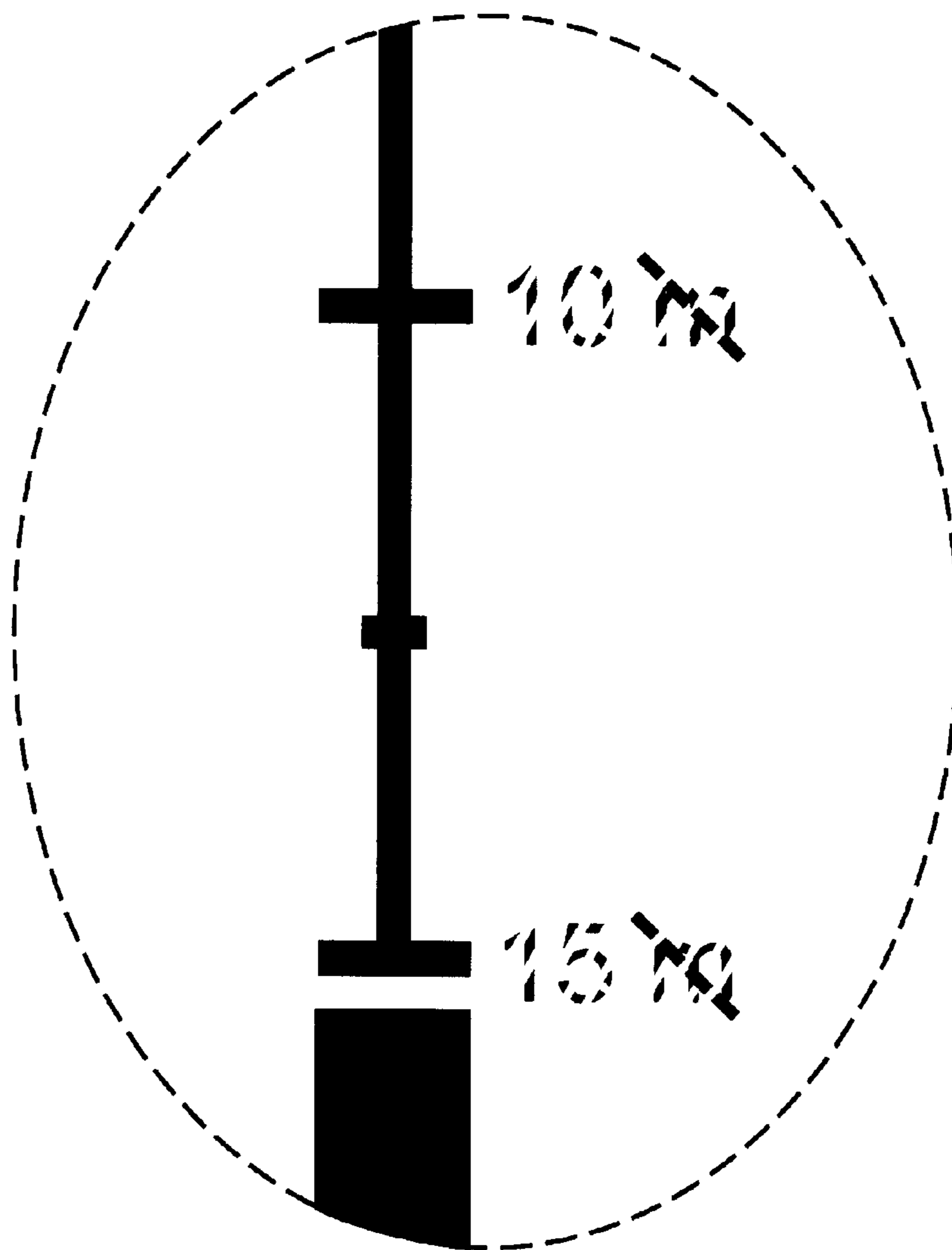


FIG. 5

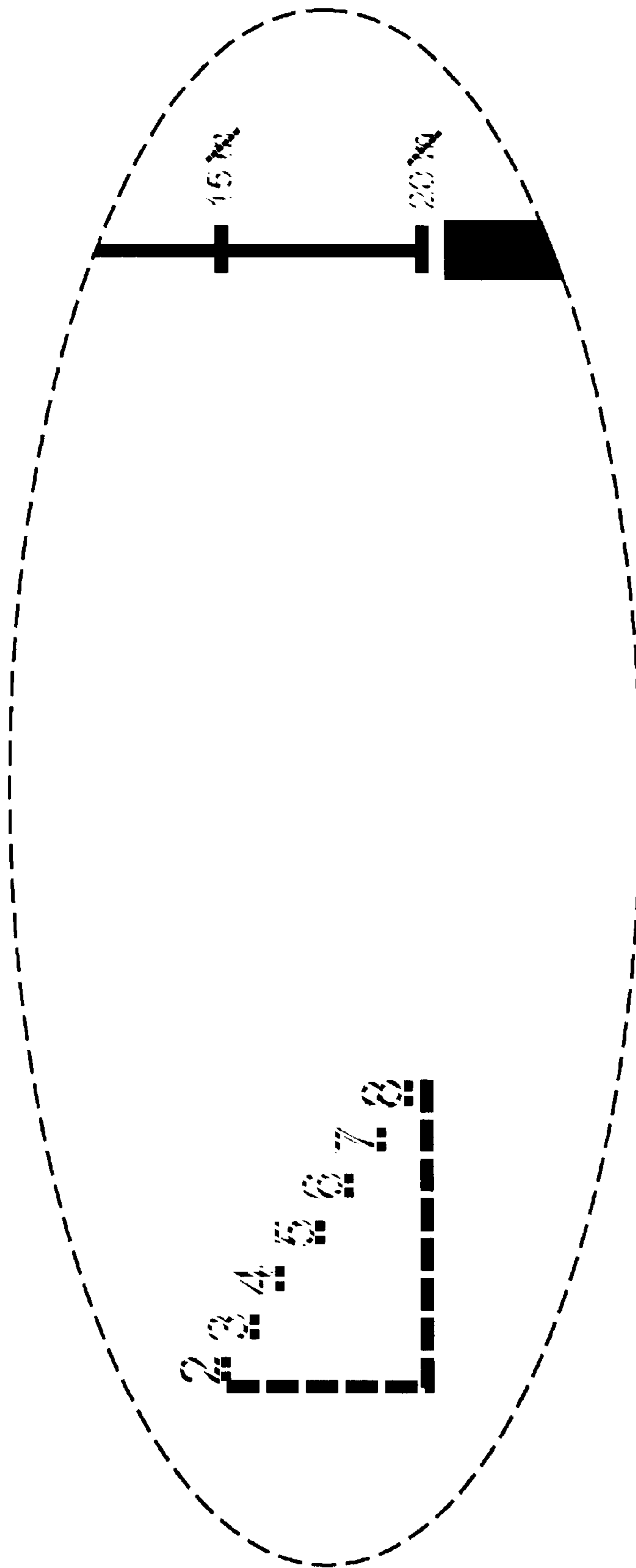


FIG. 6



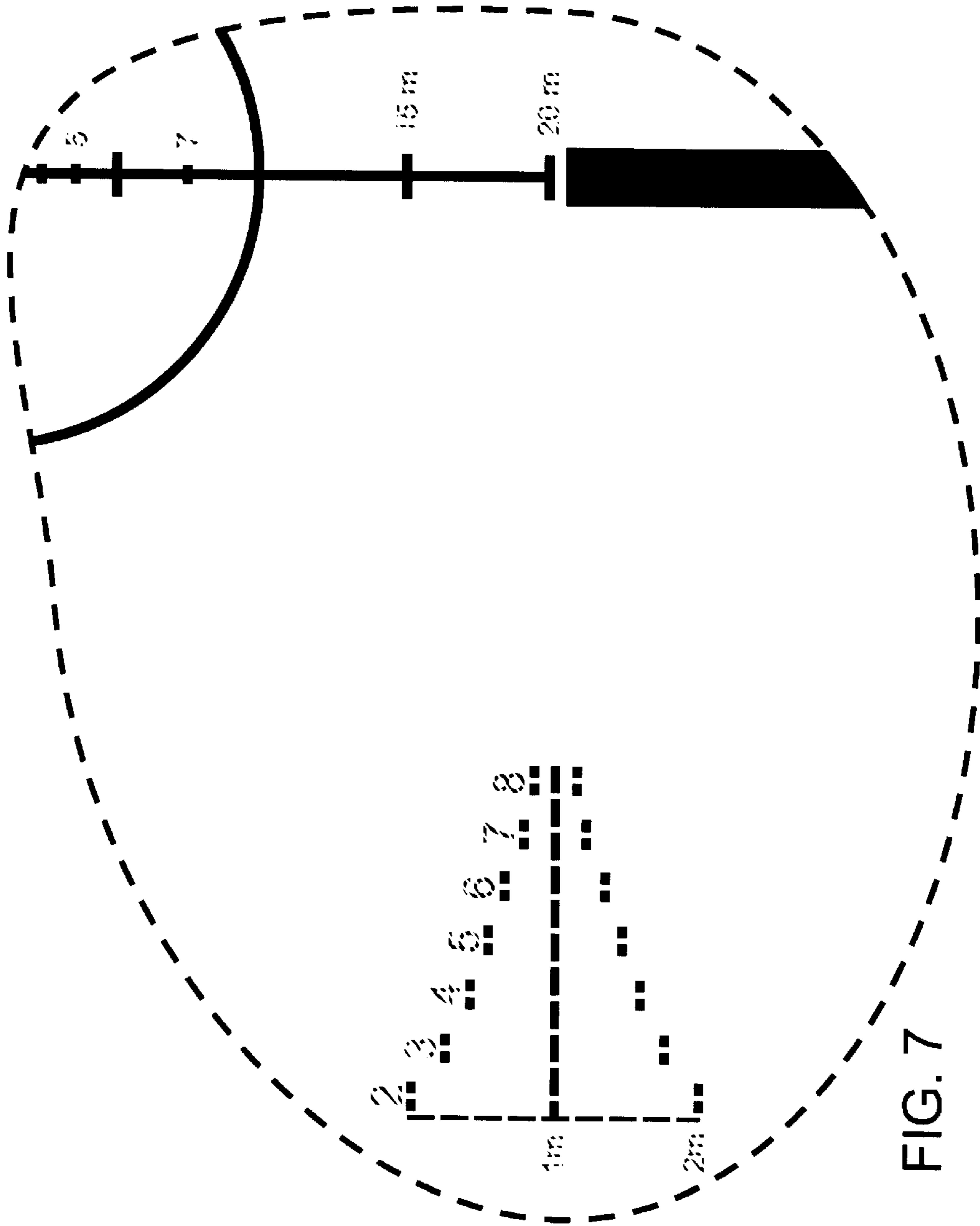


FIG. 7