



US00D542878S

(12) **United States Design Patent**
Gray

(10) **Patent No.:** **US D542,878 S**

(45) **Date of Patent:** **** May 15, 2007**

(54) **SLINGSHOT ARROW HOOK**

(76) **Inventor:** **Robert J. Gray**, 775 Gulf Stream Ct.,
Gahanna, OH (US) 43230

(**) **Term:** **14 Years**

(21) **Appl. No.:** **29/238,149**

(22) **Filed:** **Sep. 13, 2005**

(51) **LOC (8) Cl.** **22-01**

(52) **U.S. Cl.** **D22/106**

(58) **Field of Classification Search** D22/106,
D22/107, 113-115; 124/20.1, 20.3, 22, 86-90;
33/265

See application file for complete search history.

(56) **References Cited**

U.S. PATENT DOCUMENTS

3,018,770	A	*	1/1962	Saunders	124/20.3
D207,320	S	*	4/1967	Klaurens	D22/107
3,661,136	A	*	5/1972	Bradshaw	124/35.2
5,018,747	A	*	5/1991	Brown	473/584
D522,083	S	*	5/2006	Afshari	D22/107

2003/0101977 A1 * 6/2003 Barry 124/20.1

* cited by examiner

Primary Examiner—Stella Reid

Assistant Examiner—Melanie Levy

(74) *Attorney, Agent, or Firm*—Terry M. Gernstein

(57) **CLAIM**

I claim the ornamental design for a slingshot arrow hook, as shown and described.

DESCRIPTION

FIG. 1 is a perspective view of the slingshot arrow hook embodying the design of the present invention.

FIG. 2 is a left side elevational view thereof, the side opposite being similar.

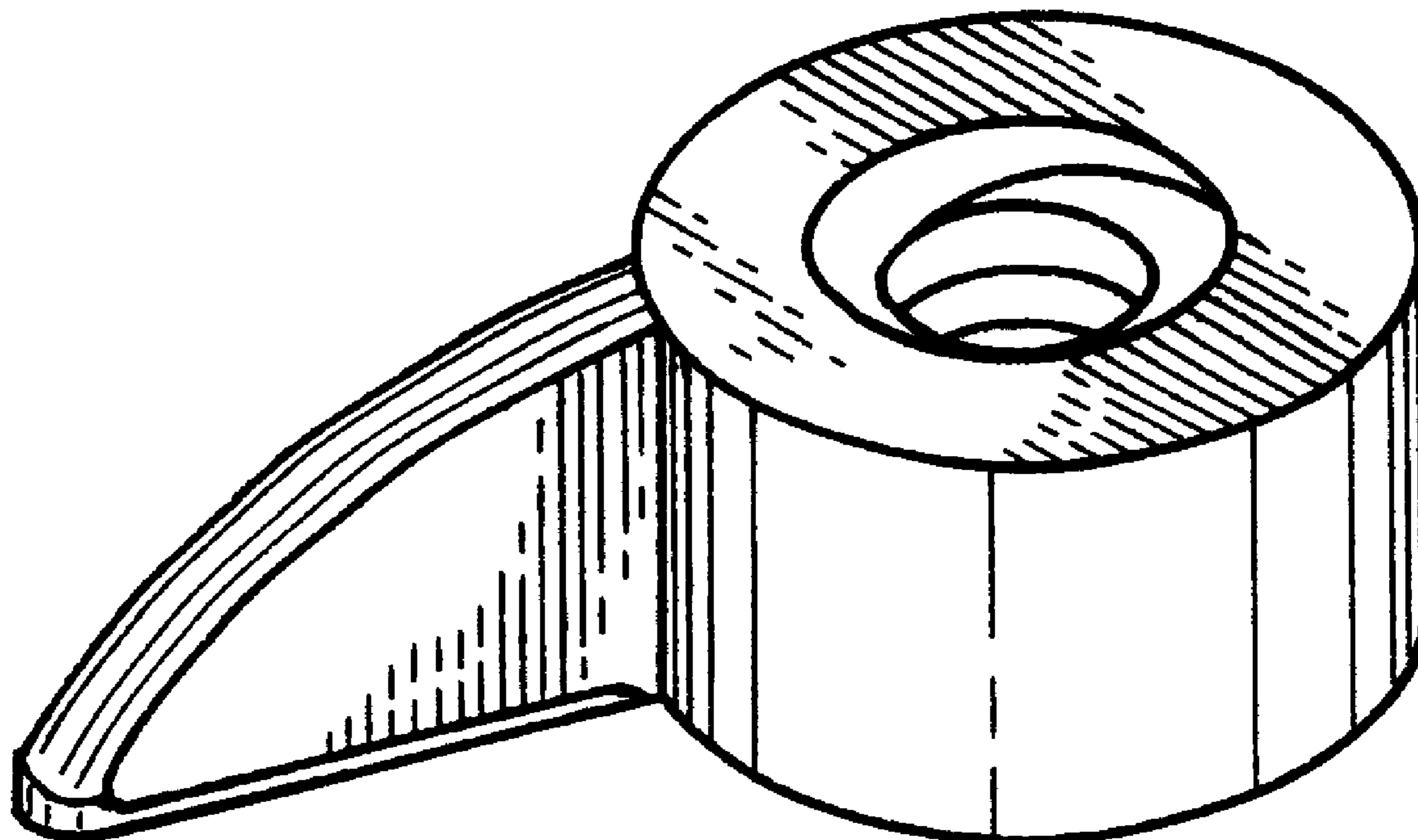
FIG. 3 is a front elevational view thereof.

FIG. 4 is a top elevational view thereof.

FIG. 5 is a bottom elevational view thereof; and,

FIG. 6 is another perspective view of the slingshot arrow hook with the broken lines for illustrative purposes only and forming no part of the claimed design.

1 Claim, 2 Drawing Sheets



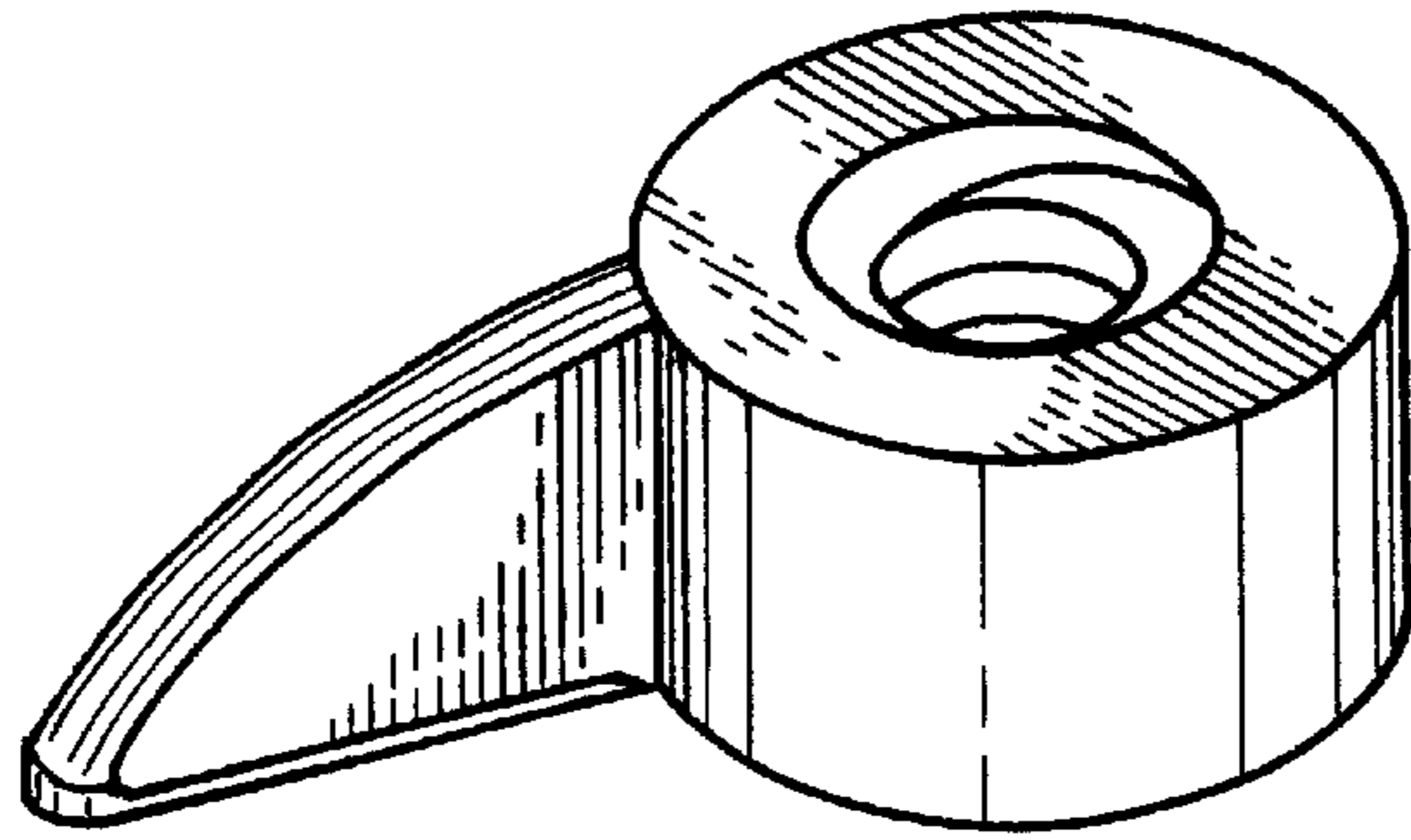


FIG. 1

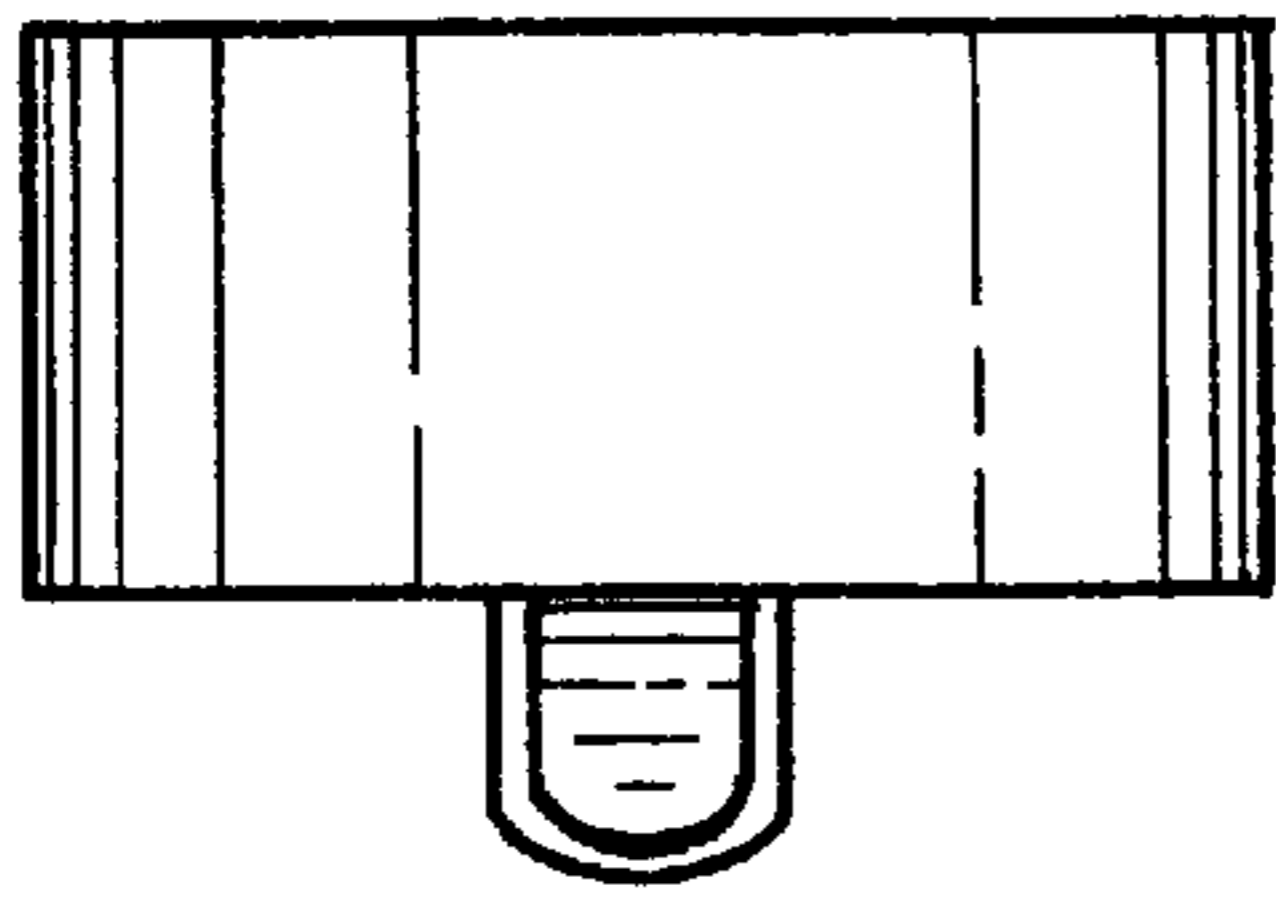


FIG. 4



FIG. 2

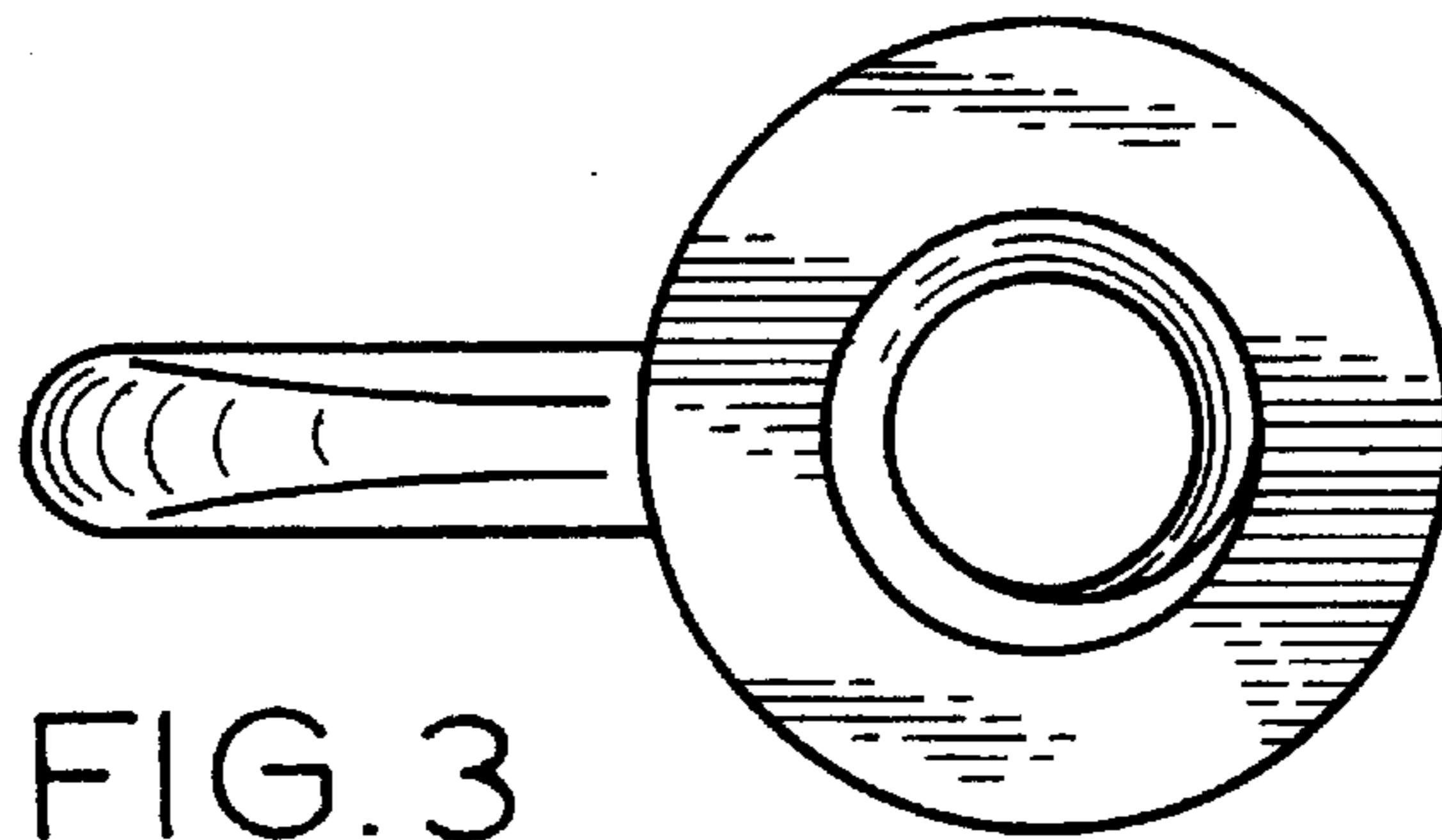


FIG. 3

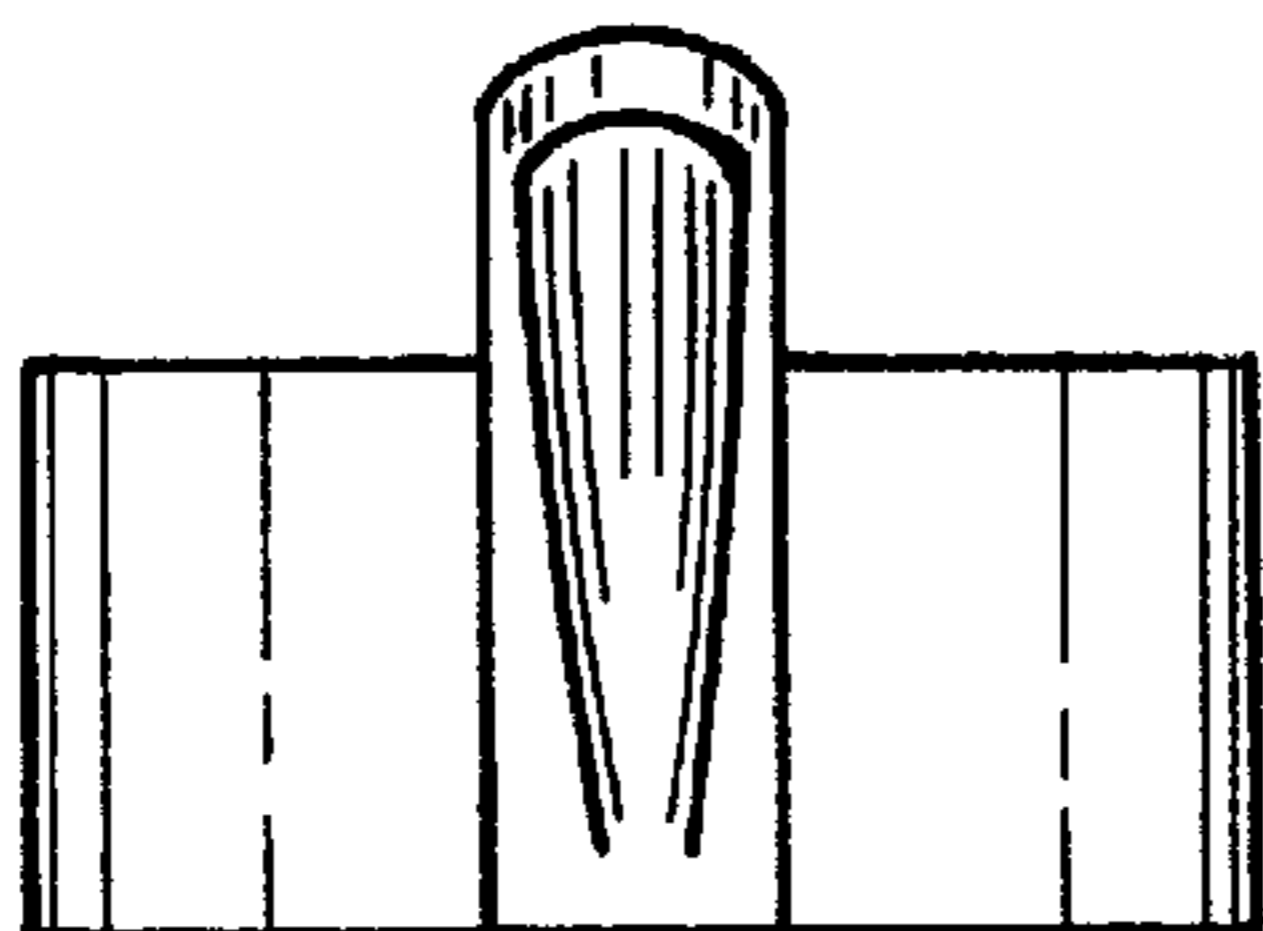


FIG. 5

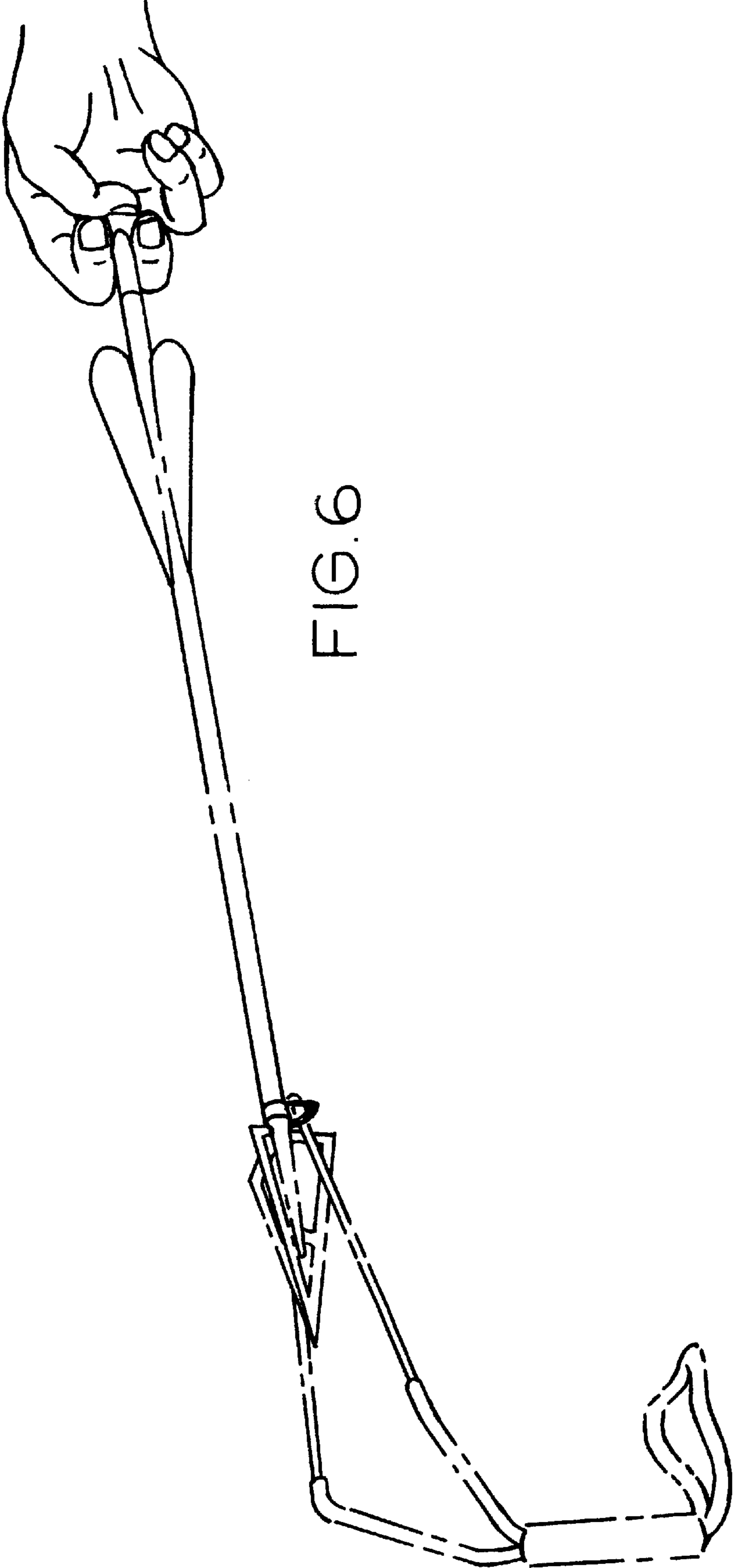


FIG. 6