



US00D542877S

(12) **United States Design Patent**
Murello et al.

(10) **Patent No.:** **US D542,877 S**

(45) **Date of Patent:** **** May 15, 2007**

(54) **COMPACT FIREARM**

(75) Inventors: **Johannes Murello**, Deisslingen (DE);
Wilhelm Fischbach,
Deisslingen-Laufen (DE); **Thomas**
Schweikart, Vöhringen (DE);
Alexander Stumpp, Bitz (DE)

(73) Assignee: **Heckler & Koch, GmbH** (DE)

(**) Term: **14 Years**

(21) Appl. No.: **29/230,459**

(22) Filed: **May 20, 2005**

Related U.S. Application Data

(62) Division of application No. 29/206,671, filed on Jun. 2, 2004, now Pat. No. Des. 510,401.

(51) **LOC (8) Cl.** **22-01**

(52) **U.S. Cl.** **D22/103; D22/100**

(58) **Field of Classification Search** D22/100,
D22/101, 103, 104, 108, 199; D21/572, 573;
42/51, 71.01, 75.01, 75.02, 90, 94; 362/110;
33/241; 313/105 R; 89/40.06, 37.04, 33.04,
89/191.01; 124/67, 66, 74

See application file for complete search history.

(56) **References Cited**

U.S. PATENT DOCUMENTS

D897,813	9/1908	Bennett	
2,141,837 A	12/1938	Farnsworth	
3,235,997 A *	2/1966	Stoner	42/94
3,938,273 A *	2/1976	Tellie	42/94
3,999,461 A	12/1976	Johnson et al.	
4,311,082 A	1/1982	Johnson et al.	
4,351,224 A	9/1982	Curtis	
4,587,879 A	5/1986	Savioli	
4,625,706 A	12/1986	Turner	
4,676,137 A	6/1987	Stockton et al.	
D295,058 S	4/1988	Turner	
4,769,938 A	9/1988	Chesnut et al.	
D303,418 S *	9/1989	Miller et al.	D22/103
4,942,802 A *	7/1990	Stoner	89/191.01
5,198,600 A	3/1993	E'Nama	
5,305,539 A	4/1994	Von Kuster	
D359,529 S	6/1995	Nguyen	
D369,639 S	5/1996	Predazzer	

D372,067 S	7/1996	Predazzer	
D385,008 S	10/1997	Lamont	
5,900,577 A *	5/1999	Robinson et al.	89/191.01
5,930,935 A	8/1999	Griffin	
D418,896 S *	1/2000	Shipley et al.	D22/101
D429,308 S	8/2000	Guhring	
6,250,294 B1	6/2001	Lim	
6,609,321 B2	8/2003	Faifer	
6,651,371 B2	11/2003	Fitzpatrick et al.	
6,752,137 B2	6/2004	Brunette et al.	
6,785,997 B2 *	9/2004	Oz	42/94
D510,401 S *	10/2005	Murello et al.	D22/103
D512,117 S *	11/2005	Murello et al.	D22/103
D516,660 S *	3/2006	Murello et al.	D22/103
D517,152 S *	3/2006	Murello et al.	D22/103
D517,637 S *	3/2006	Murello et al.	D22/103
2001/0042334 A1	11/2001	Weichert et al.	

FOREIGN PATENT DOCUMENTS

WO WO 00/75596 12/2000

OTHER PUBLICATIONS

U.S. Appl. No. 29/233,421, filed Jun. 30, 2005 for *Firearm with Grenade Launcher and Butt Stock*.

U.S. Appl. No. 29/233,439, filed Jun. 30, 2005 for "*Firearm with a Butt Stock*".

* cited by examiner

Primary Examiner—Ian Simmons

Assistant Examiner—Melanie Levy

(74) *Attorney, Agent, or Firm*—Hanley, Flight & Zimmerman, LLC.

(57) **CLAIM**

The ornamental design for a compact firearm, as shown and described.

DESCRIPTION

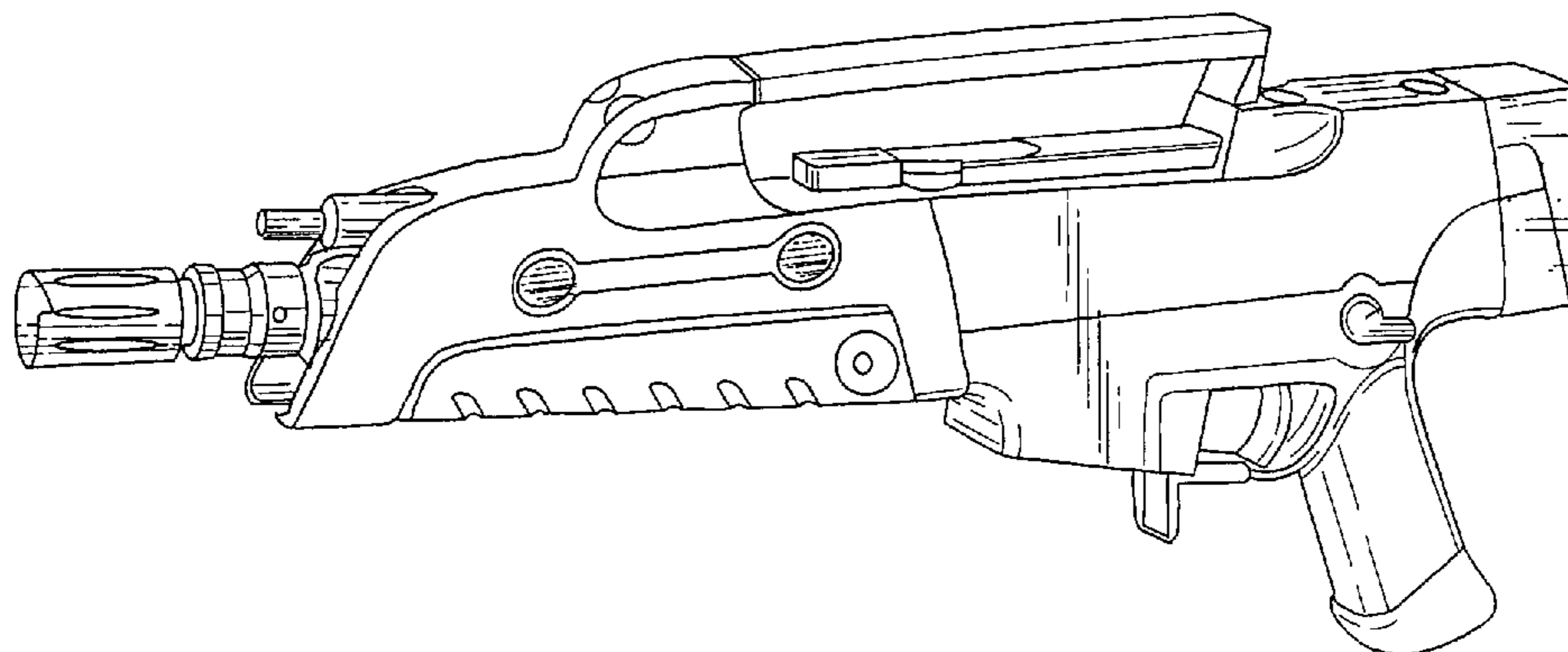
FIG. 1 is a left side perspective view of a compact firearm shown with a butt stock.

FIG. 2 is a left side view of the firearm of FIG. 1.

FIG. 3 is a right side view of the firearm of FIG. 1; and,

FIG. 4 is a top view of the firearm of FIG. 1.

1 Claim, 4 Drawing Sheets



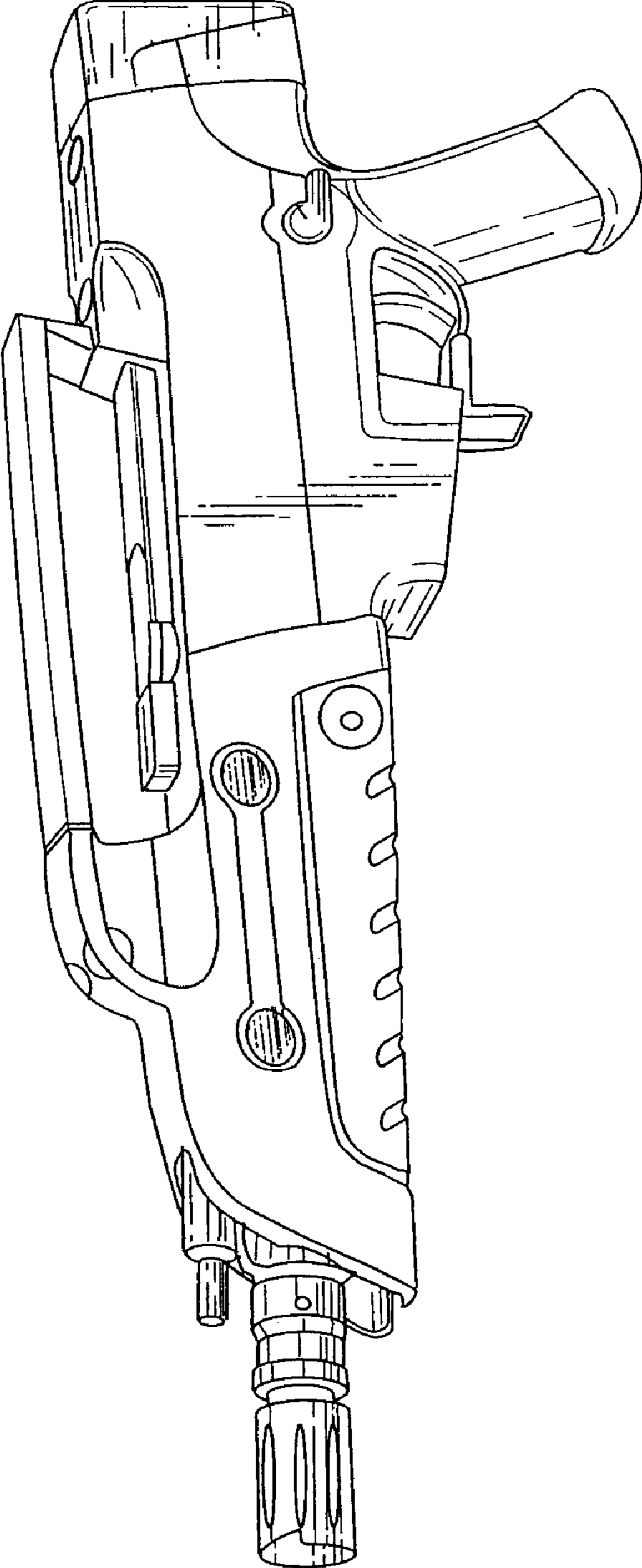


Fig. 1

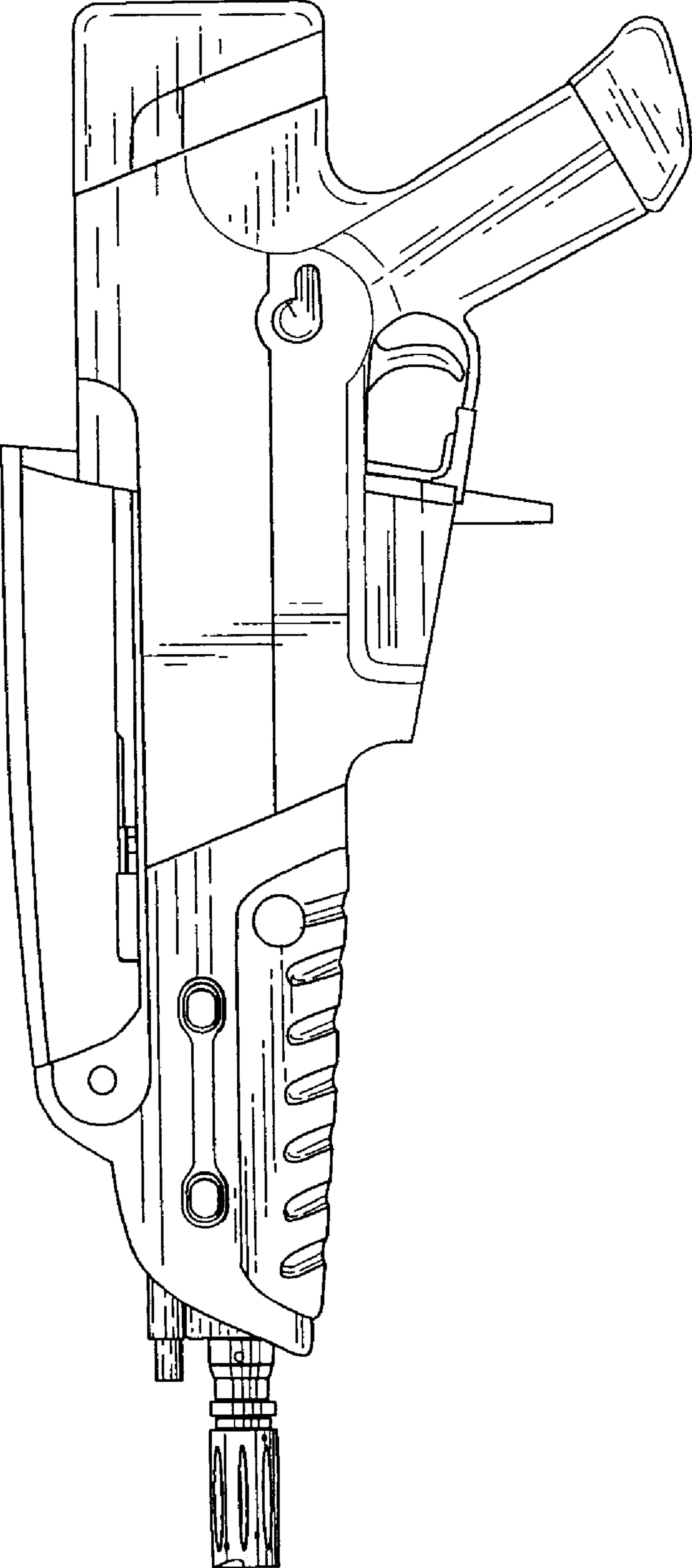


Fig. 2

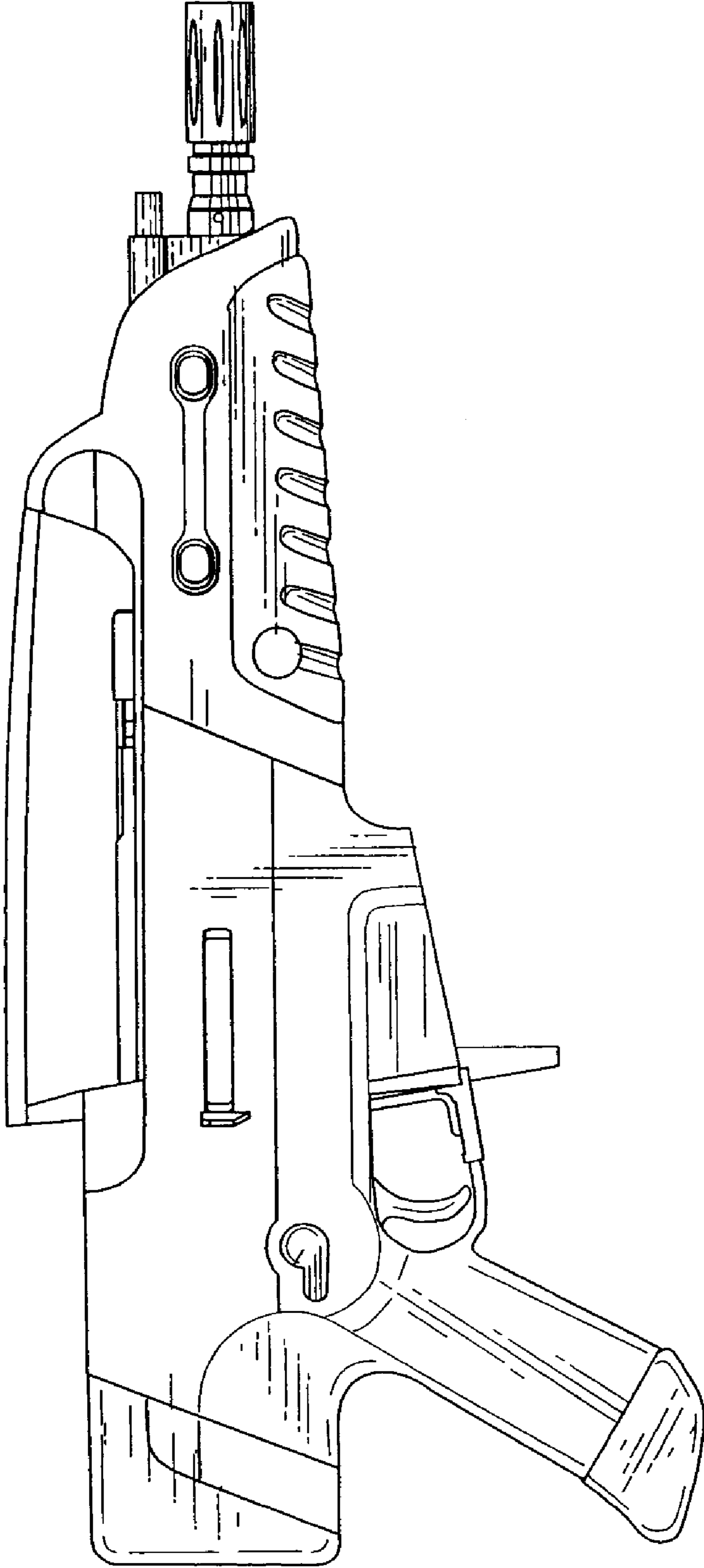


Fig. 3

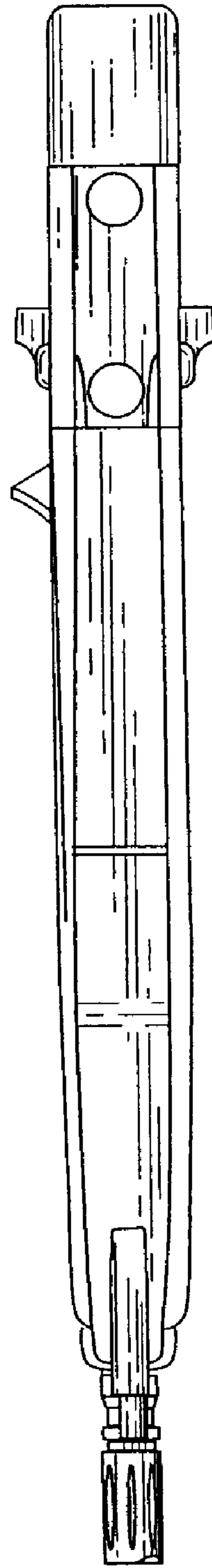


Fig. 4