



US00D542874S

(12) **United States Design Patent**
Rodier

(10) **Patent No.:** **US D542,874 S**

(45) **Date of Patent:** **** May 15, 2007**

(54) **FIN PLUG FOR SURFCRAFT**

(75) Inventor: **Anthony Rodier**, Harbord (AU)

(73) Assignee: **Surfing Hardware International Holdings Pty. Limited**, Sydney (AU)

(**) Term: **14 Years**

(21) Appl. No.: **29/216,904**

(22) Filed: **Nov. 10, 2004**

(30) **Foreign Application Priority Data**

May 11, 2004 (AU) 1768/2004

(51) **LOC (8) Cl.** **21-02**

(52) **U.S. Cl.** **D21/771**

(58) **Field of Classification Search** D21/769,
D21/770, 801, 803, 804, 806, 807, 810; 114/363;
D2/731, 732; 441/55, 56, 58, 60, 61-66,
441/68, 69, 72-75, 79

See application file for complete search history.

(56) **References Cited**

U.S. PATENT DOCUMENTS

5,167,553 A * 12/1992 Wilson 441/75
5,199,916 A * 4/1993 Prickett 441/75
5,490,805 A * 2/1996 Bredesen 441/75
6,079,922 A * 6/2000 Ross et al. 411/180
2003/0236039 A1 * 12/2003 Banys 441/79

* cited by examiner

Primary Examiner—Caron D. Veynar

Assistant Examiner—Zenía I. Bennett

(74) *Attorney, Agent, or Firm*—Squire, Sanders & Dempsey, L.L.P.

(57) **CLAIM**

The ornamental design for a fin plug for surfcraft, as shown and described.

DESCRIPTION

FIG. 1 is a left perspective view of the fin plug for surfcraft; FIG. 2 is a right perspective view of the fin plug for surfcraft of FIG. 1;

FIG. 3 is a front elevational view of the fin plug for surfcraft of FIG. 1;

FIG. 4 is a rear elevational view of the fin plug for surfcraft of FIG. 1;

FIG. 5 is a left side elevational view of the fin plug for surfcraft of FIG. 1;

FIG. 6 is a right side elevational view of the fin plug for surfcraft of FIG. 1;

FIG. 7 is a top plan view of the fin plug for surfcraft of FIG. 1; and,

FIG. 8 is a bottom plan view of the fin plug for surfcraft of FIG. 1.

The broken lines shown in the above FIGS. 1 through 8 are for illustrative purposes only and form no part of the claimed design.

1 Claim, 3 Drawing Sheets

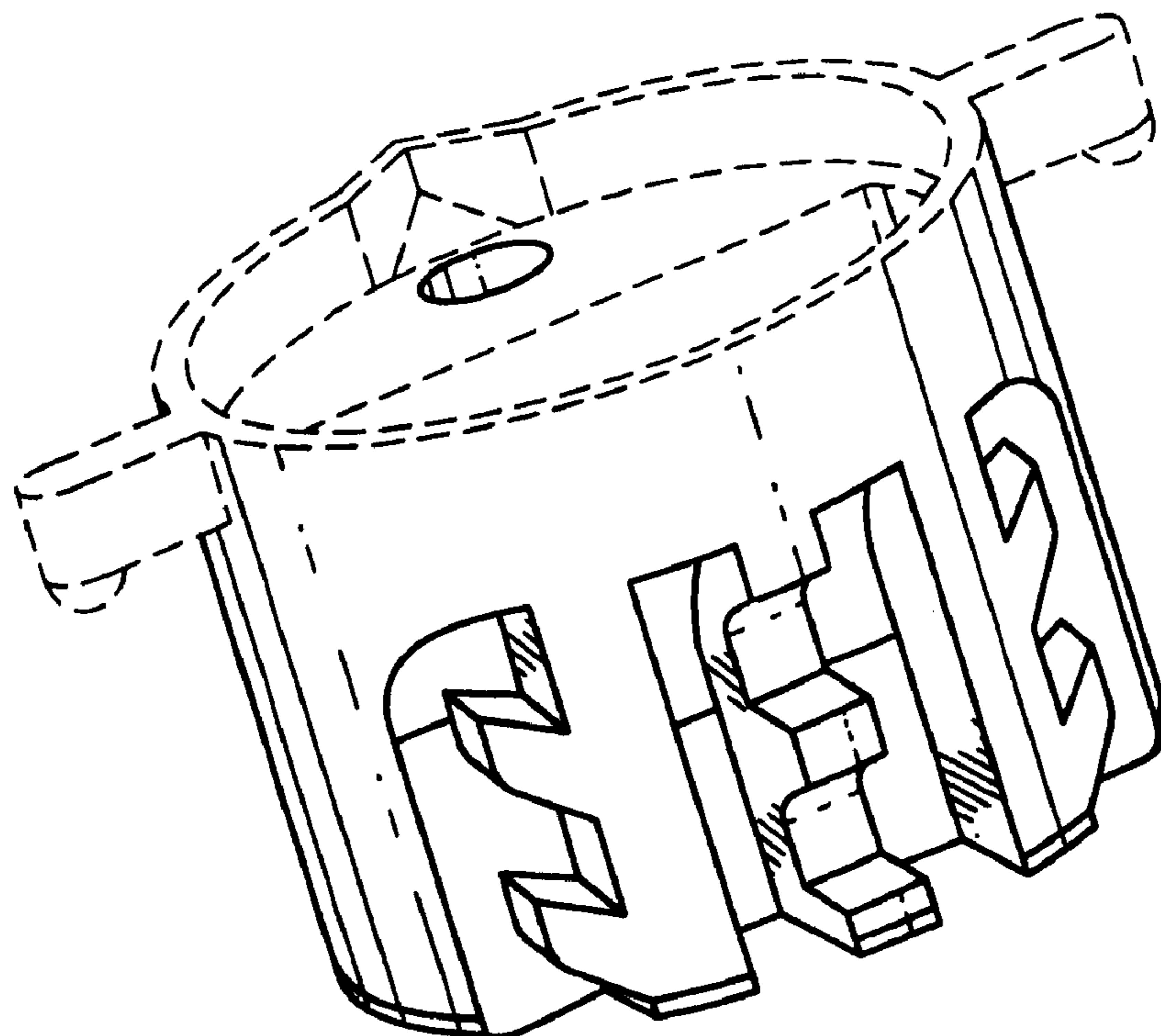


FIG. 1

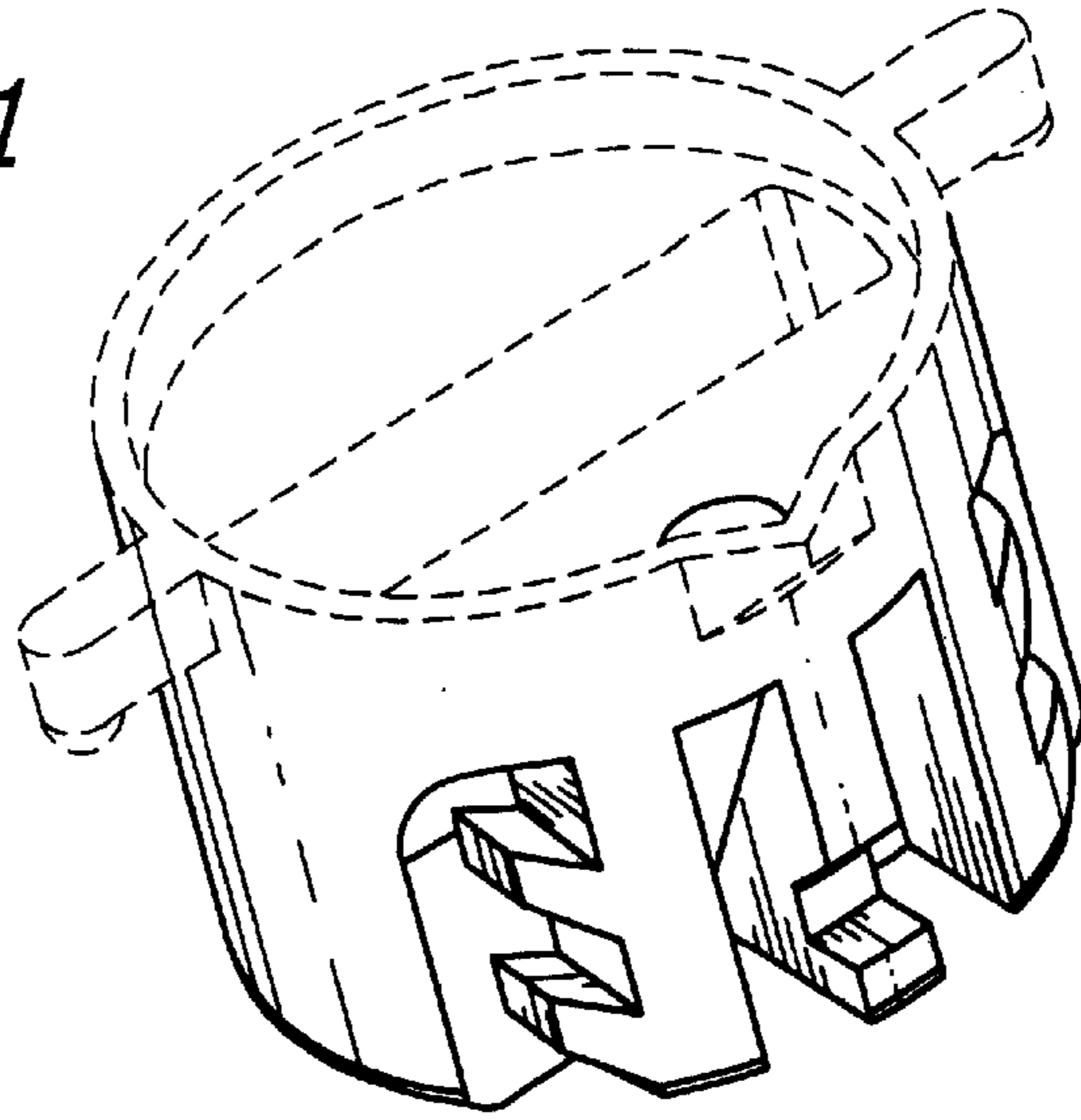


FIG. 2

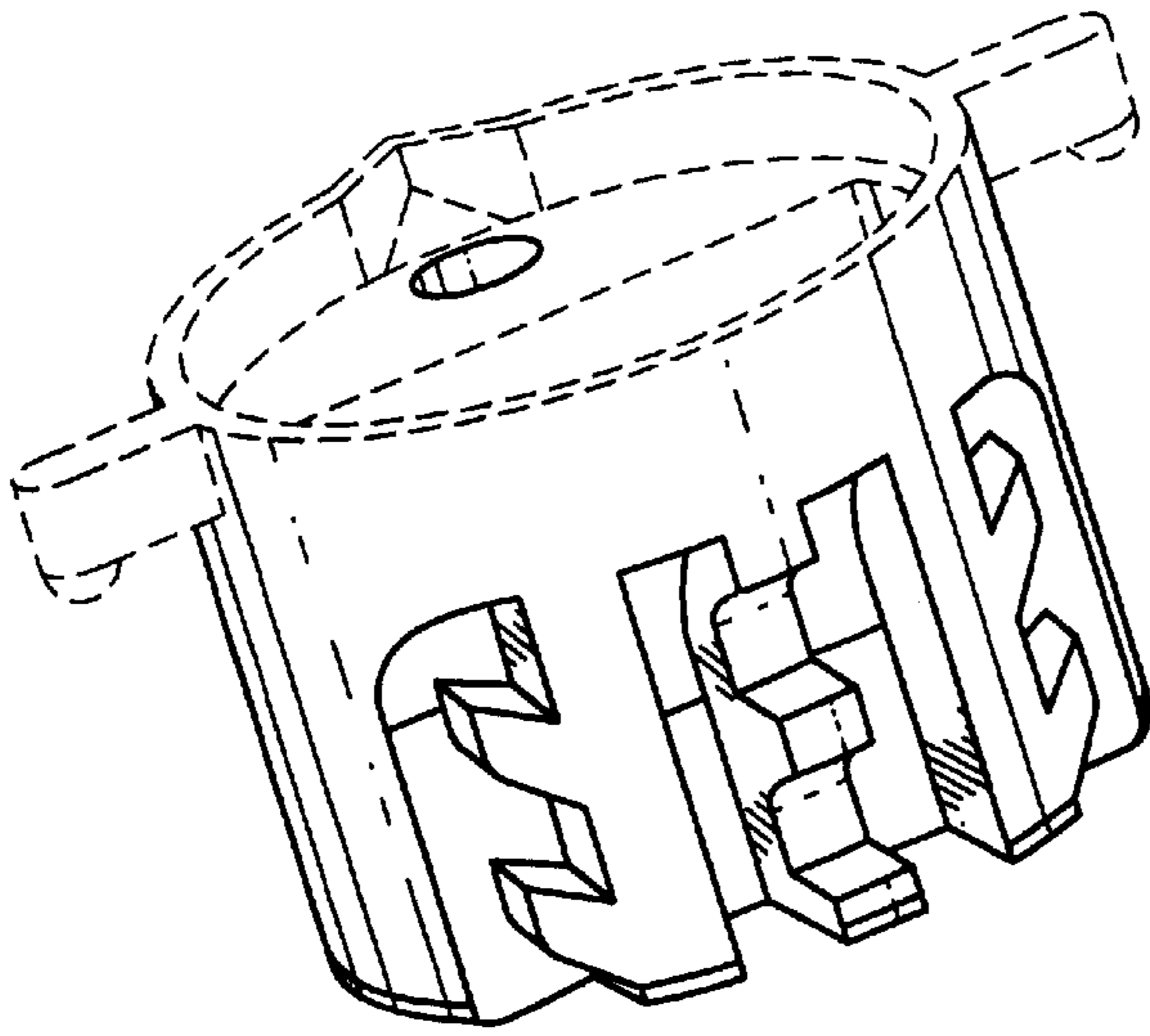
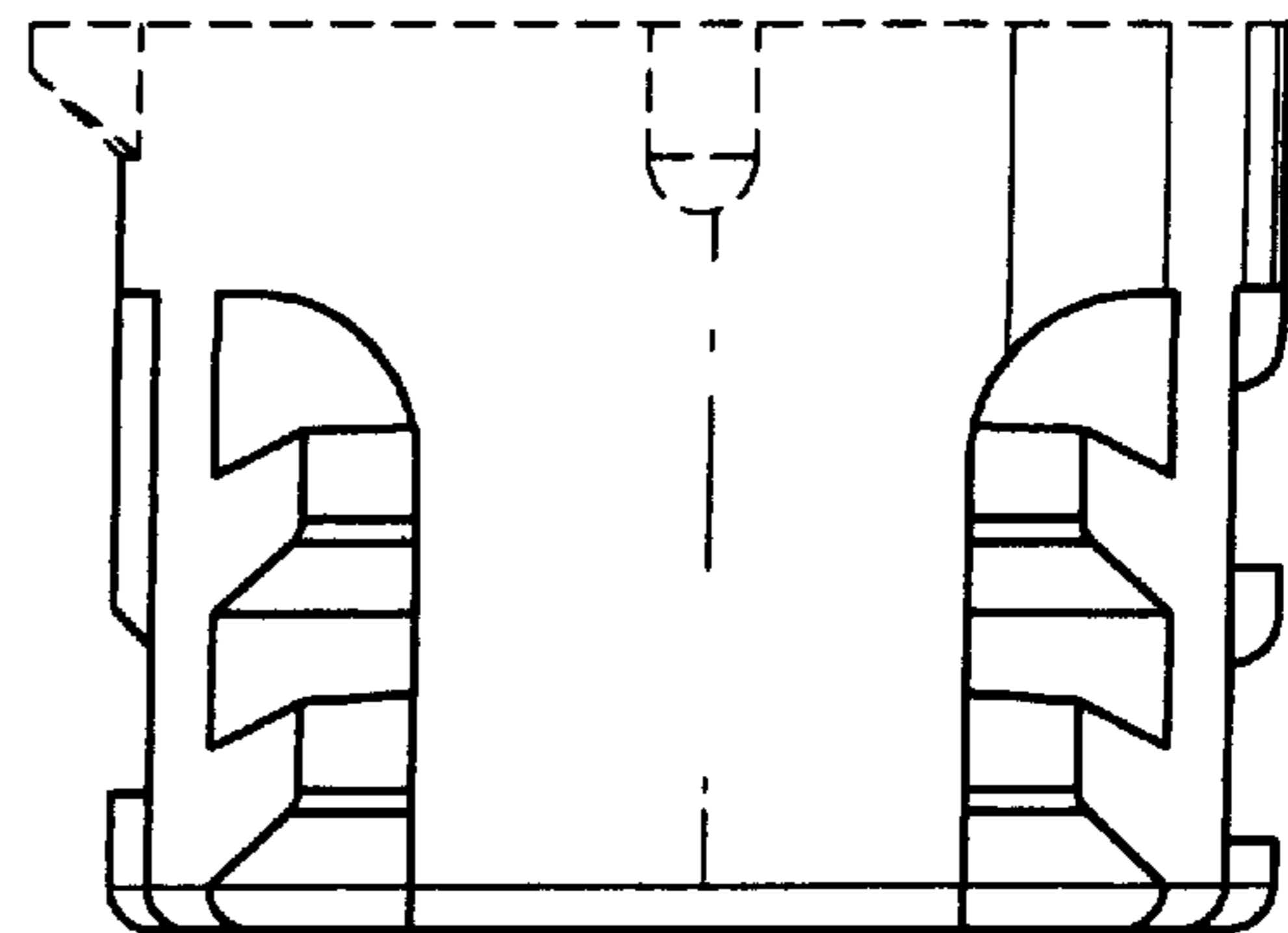


FIG. 3



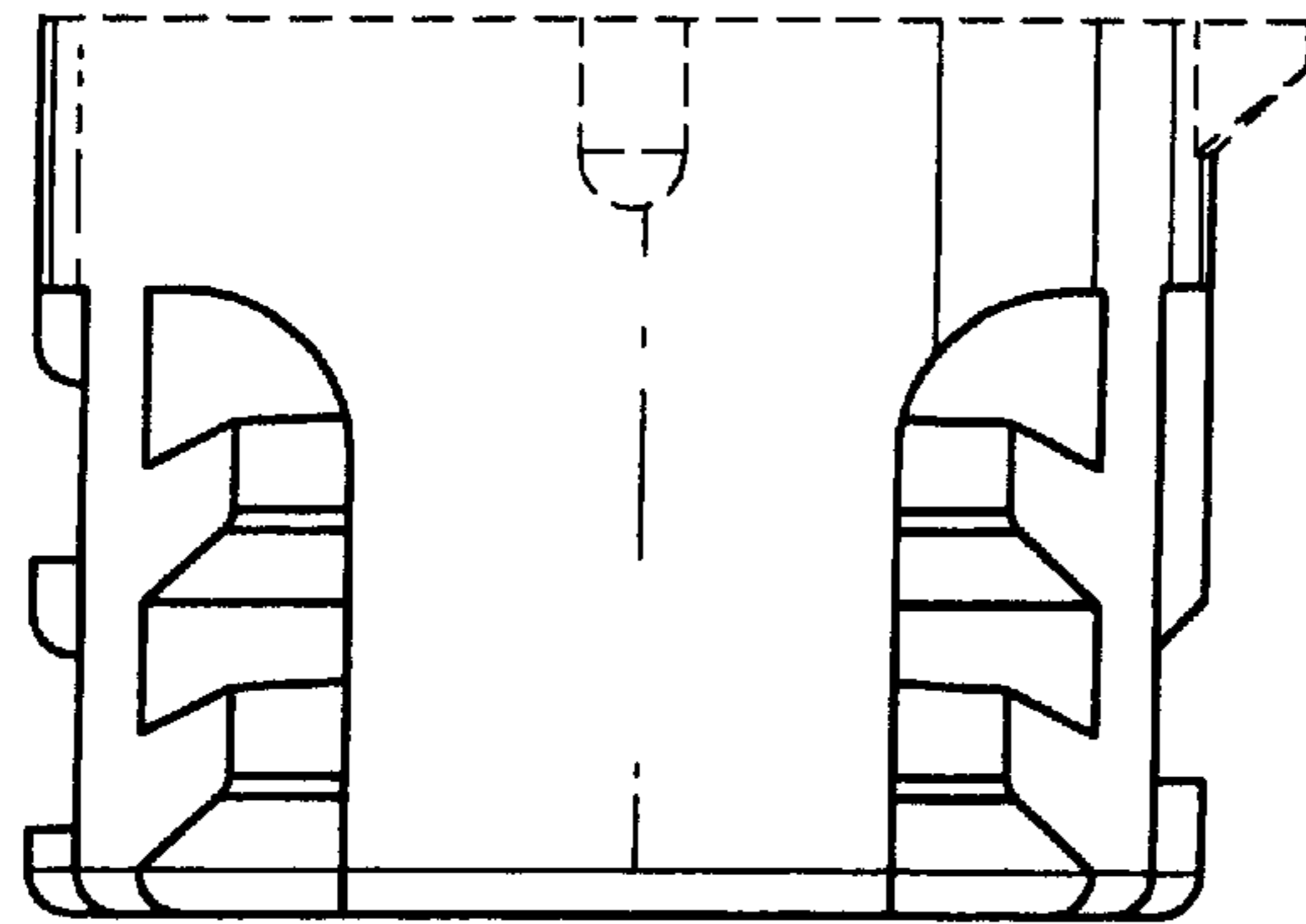


FIG. 4

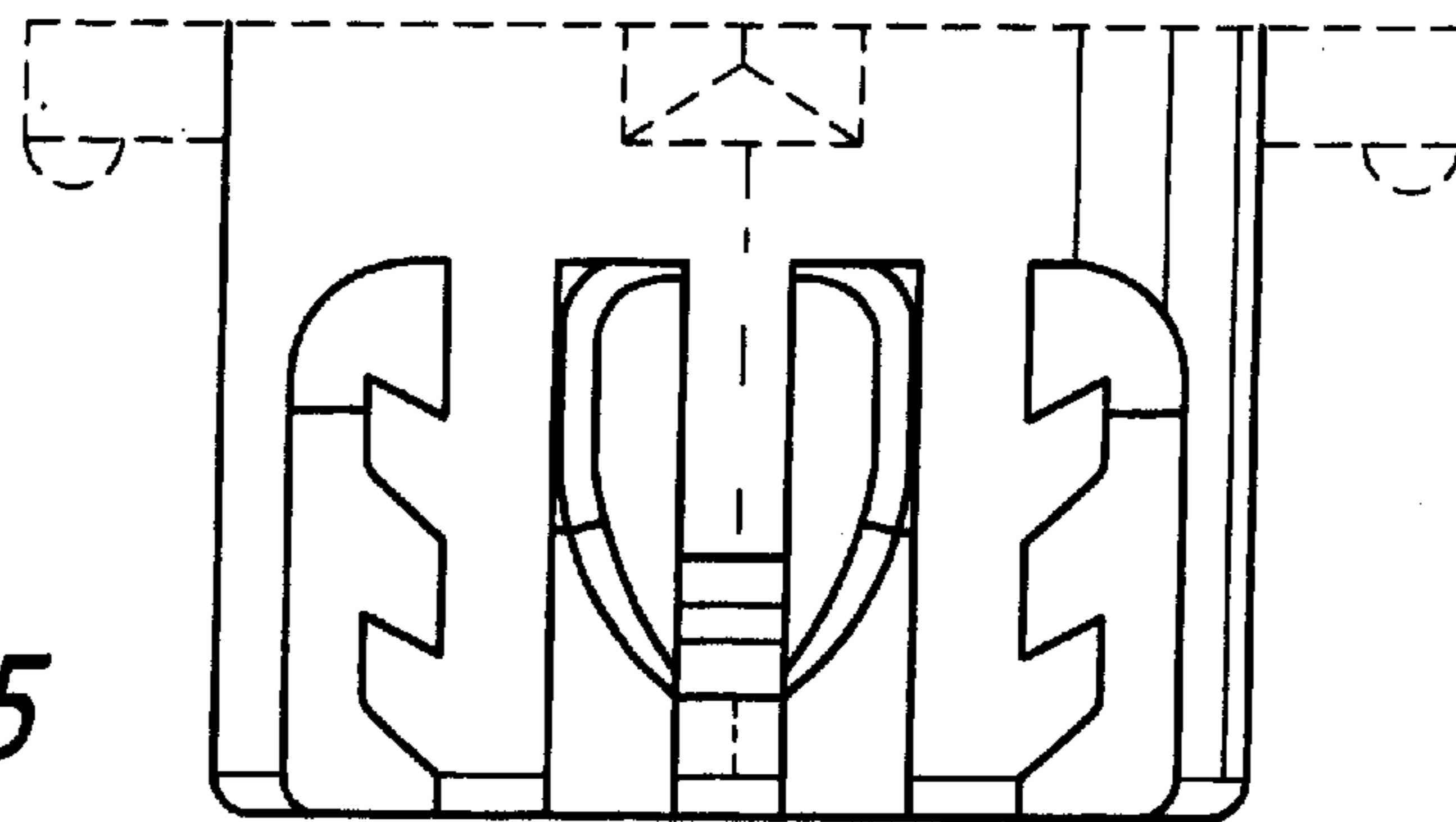


FIG. 5

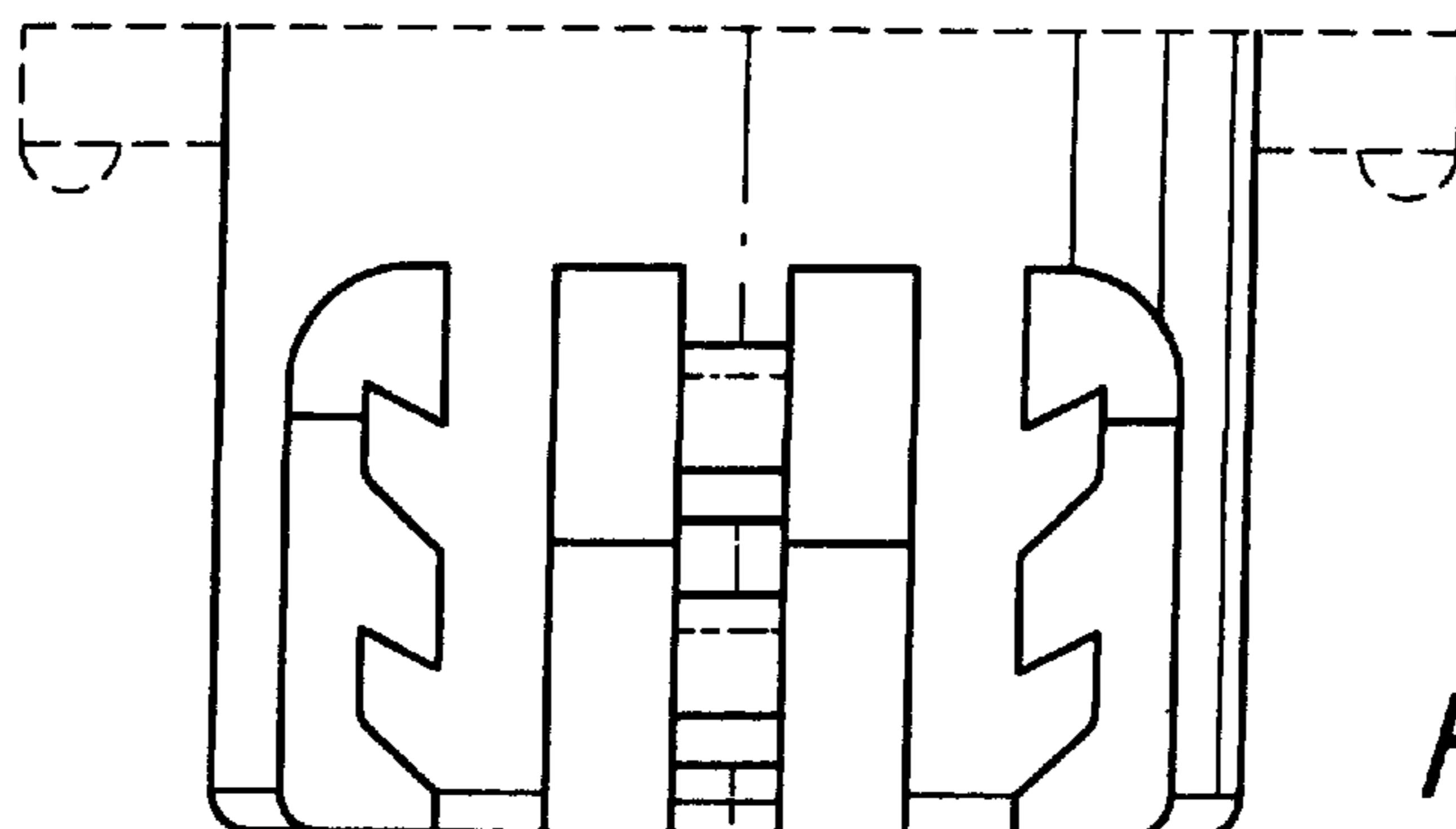


FIG. 6

FIG. 7

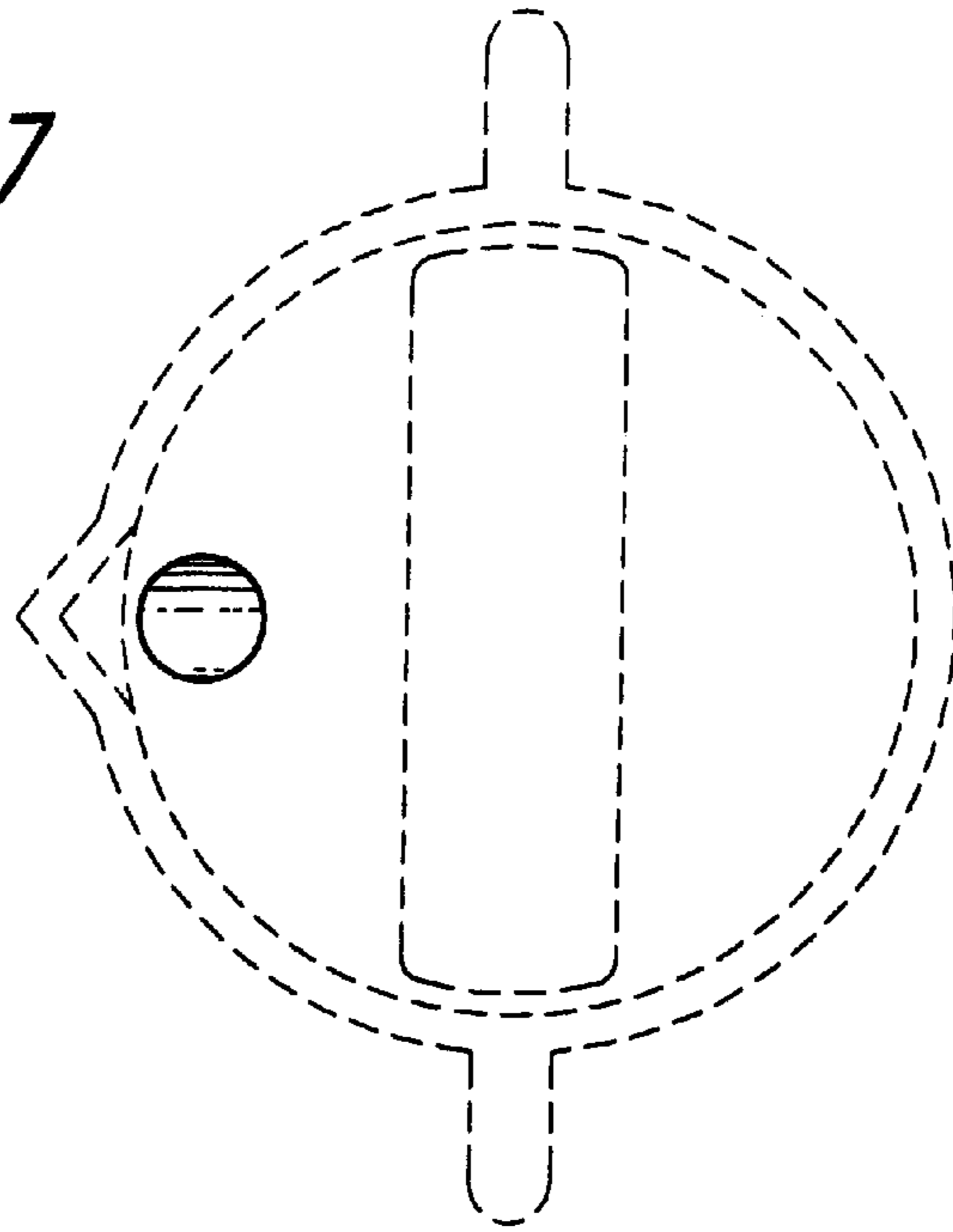


FIG. 8

