

US00D542873S

(12) **United States Design Patent**  
**Oldknow**

(10) **Patent No.:** **US D542,873 S**

(45) **Date of Patent:** **\*\* May 15, 2007**

(54) **PORTION OF A GOLF CLUB HEAD FOR A PUTTER**

(75) Inventor: **Andrew G. V. Oldknow**, Beaverton, OR (US)

(73) Assignee: **Nike, Inc.**, Beaverton, OR (US)

(\*\*) Term: **14 Years**

(21) Appl. No.: **29/249,635**

(22) Filed: **Oct. 13, 2006**

**Related U.S. Application Data**

(63) Continuation of application No. 29/248,432, filed on Aug. 16, 2006.

(51) **LOC (8) Cl.** ..... **21-02**

(52) **U.S. Cl.** ..... **D21/759**

(58) **Field of Classification Search** ..... D21/736-746,  
D21/759; 473/324-331, 340-341, 251-256  
See application file for complete search history.

(56) **References Cited**

**U.S. PATENT DOCUMENTS**

D372,752 S	8/1996	Raudman	
D461,860 S	8/2002	Tang	
D484,935 S	1/2004	Tang	
D485,592 S	1/2004	Hettinger et al.	
D493,857 S	8/2004	Cameron	
D496,417 S	9/2004	Tang	
D496,418 S	* 9/2004	Tang et al.	..... D21/738
D500,109 S	12/2004	Solheim et al.	
D508,273 S	8/2005	Garner et al.	
D508,276 S	8/2005	Madore	

6,929,559 B1	8/2005	Grace	
D510,394 S	10/2005	Tang et al.	
D513,048 S	* 12/2005	Garner et al.	..... D21/743
6,974,394 B1	12/2005	Tang et al.	
D520,583 S	5/2006	Rollinson et al.	
7,048,639 B2	5/2006	Grace	
D522,598 S	6/2006	Solheim et al.	
D524,887 S	7/2006	Jones et al.	
7,086,957 B2	8/2006	Solheim et al.	
D533,609 S	* 12/2006	Moore et al.	..... D21/742
2006/0052178 A1	3/2006	Franklin et al.	
2006/0068934 A1	3/2006	Tang et al.	

\* cited by examiner

*Primary Examiner*—Mitchell Siegel

(74) *Attorney, Agent, or Firm*—Banner & Witcoff, Ltd.

(57) **CLAIM**

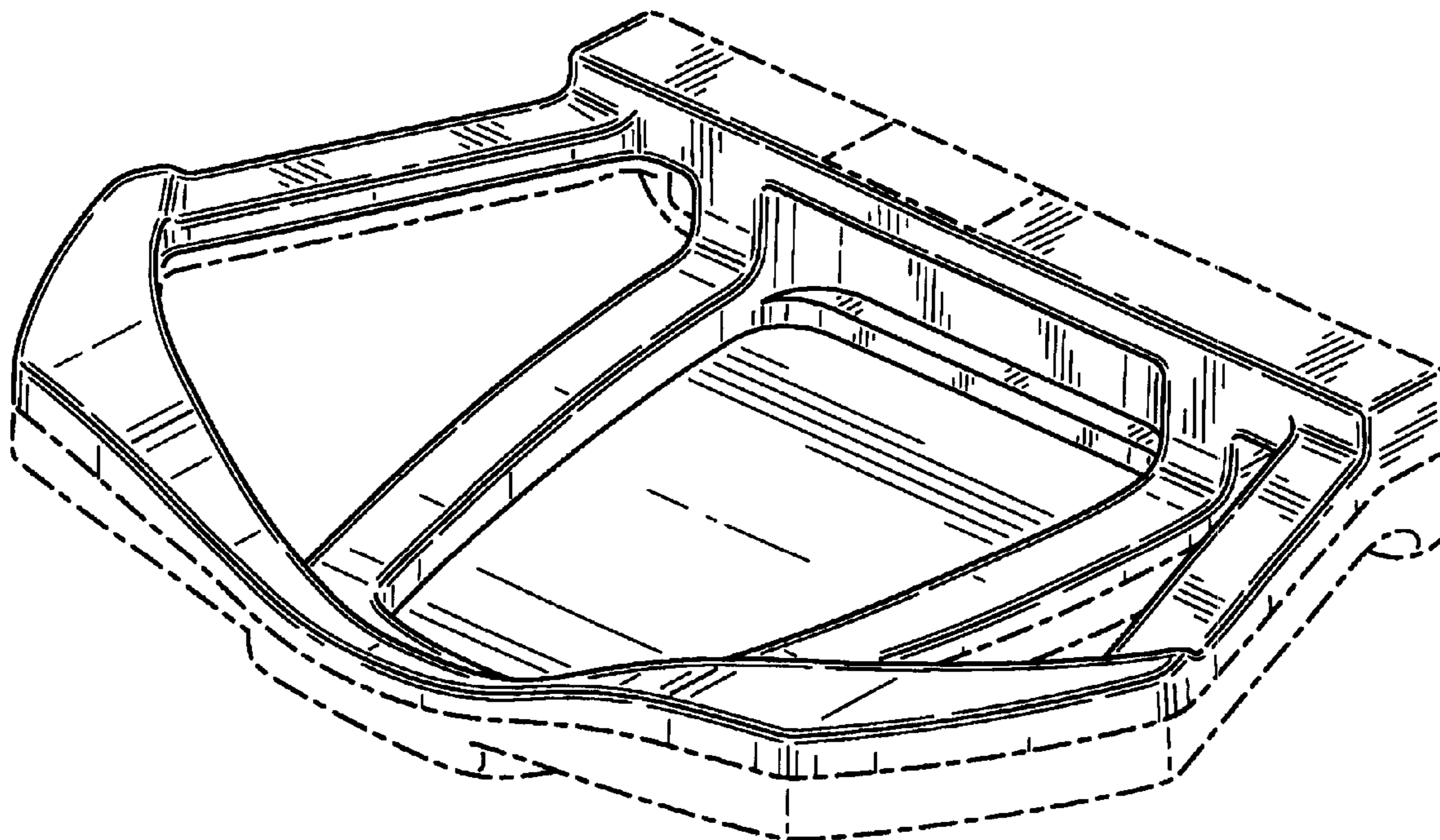
The ornamental design for a portion of a golf club head for a putter, as shown and described.

**DESCRIPTION**

FIG. 1 is a top perspective view of a portion of a golf club head for a putter showing my new design; FIG. 2 is a top plan view thereof; FIG. 3 is a front view thereof; FIG. 4 is a rear view thereof; FIG. 5 is a toe end view thereof; and, FIG. 6 is a heel end view thereof.

The broken lines immediately adjacent to the shaded region form unclaimed boundaries of the design. The broken line showing of the rectangular region and the remainder of the golf club head is for illustrative purposes only and forms no part of the claimed design.

**1 Claim, 4 Drawing Sheets**



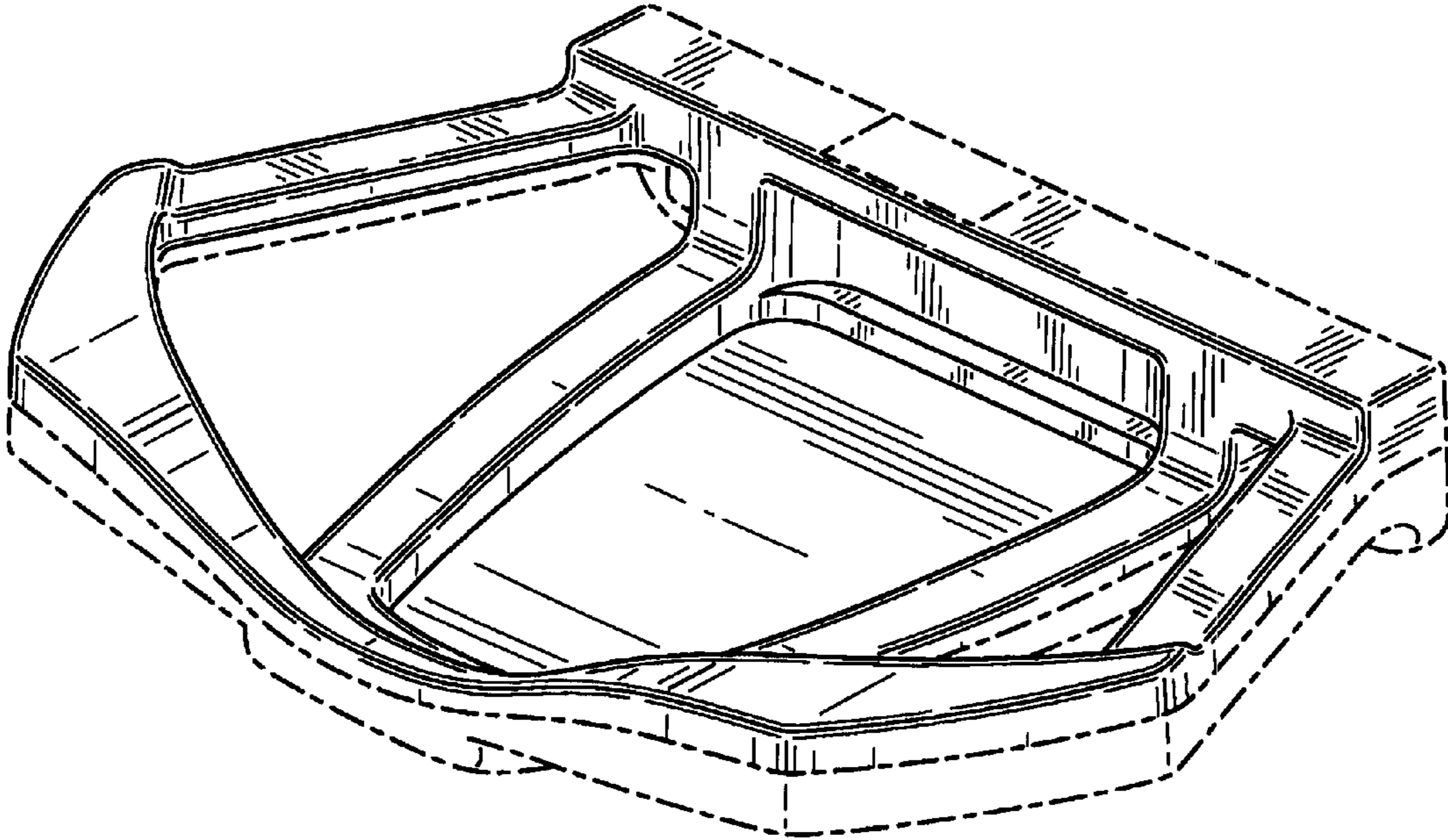


FIG. 1

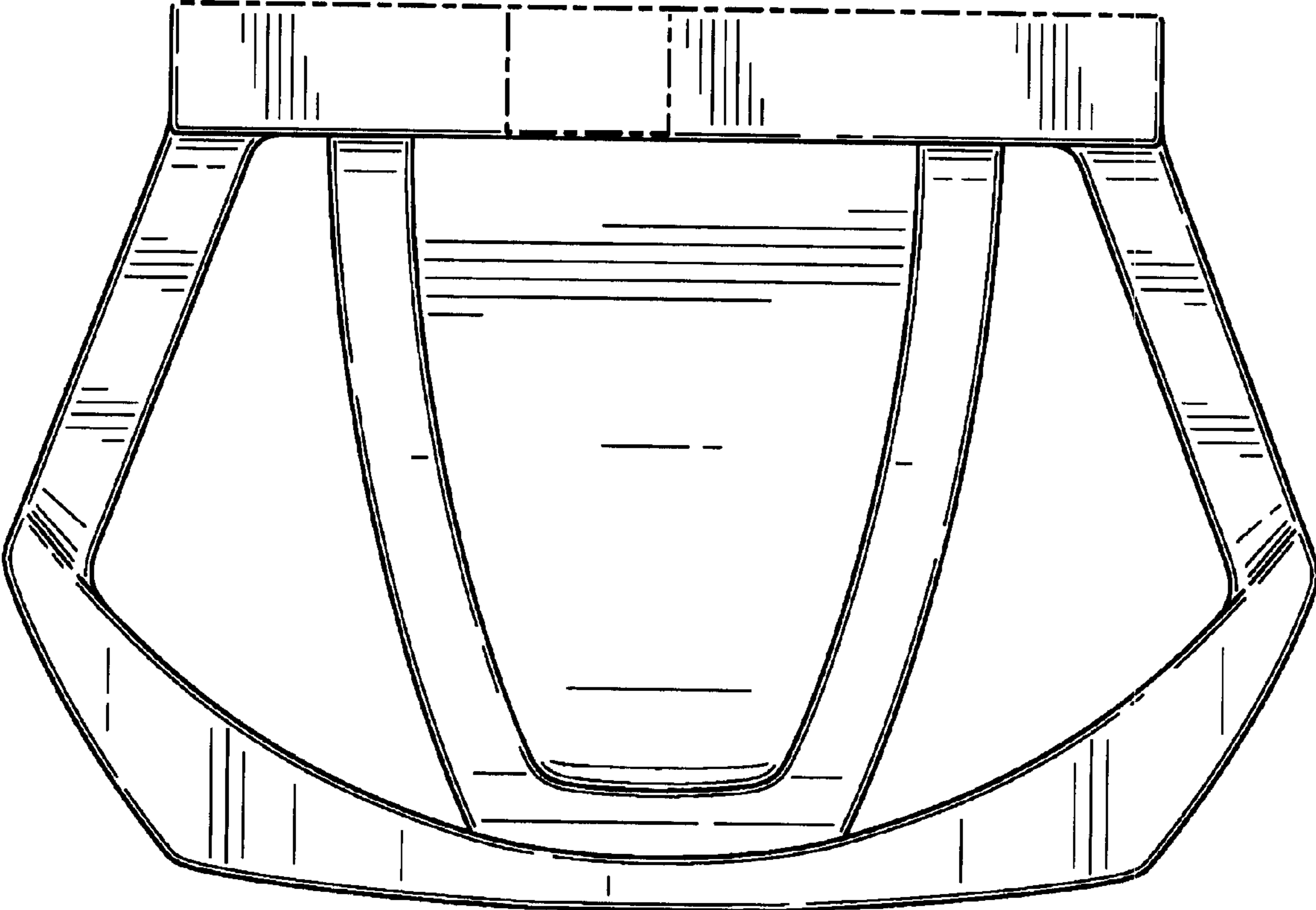


FIG. 2



FIG. 3

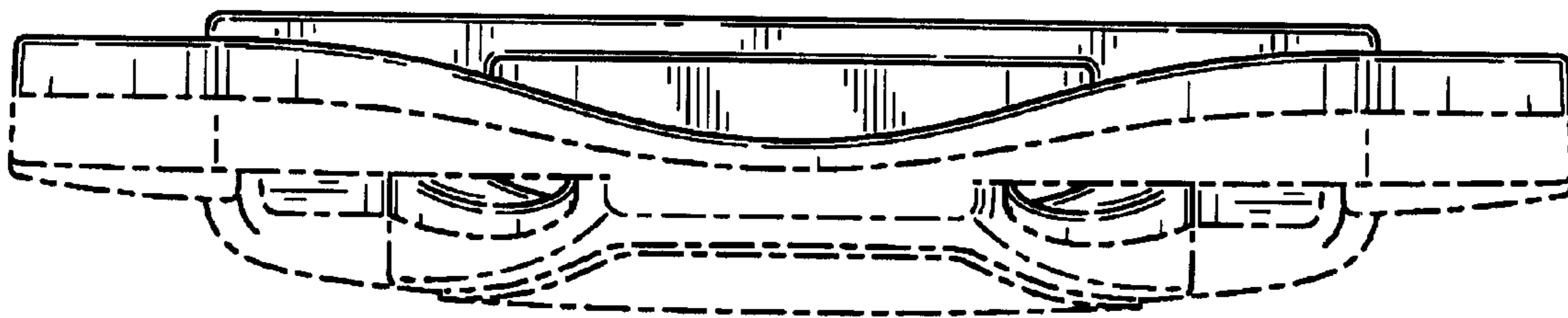


FIG. 4

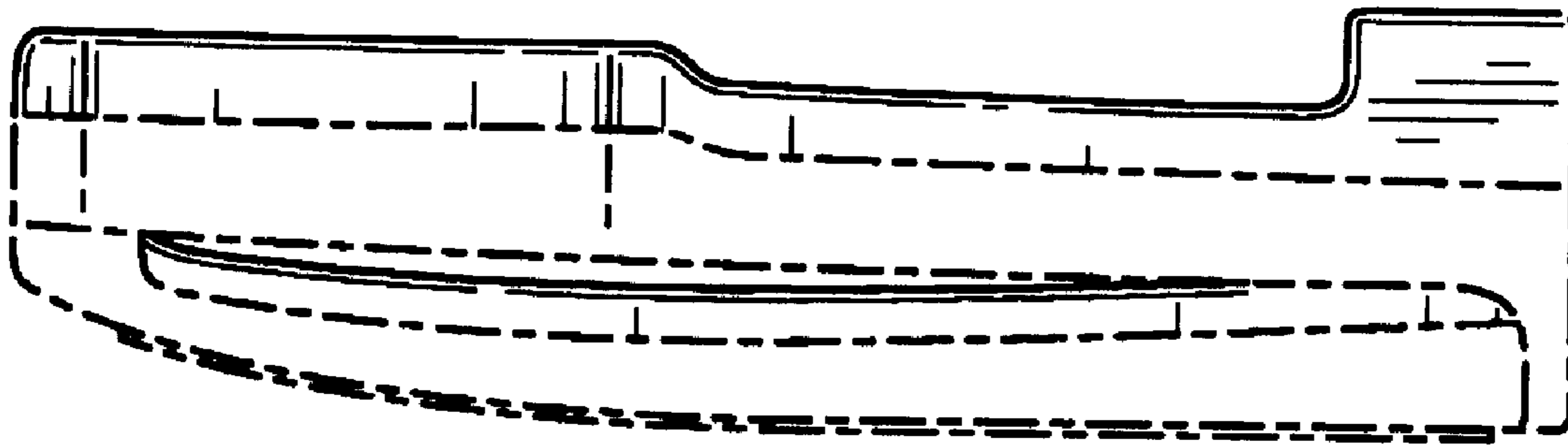


FIG. 5

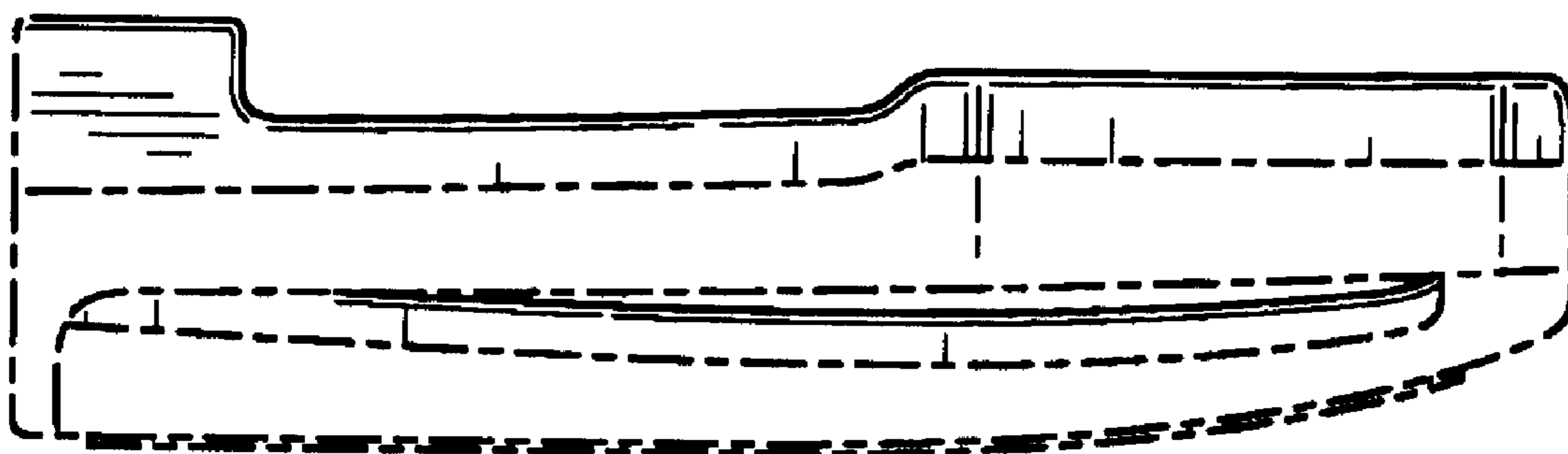


FIG. 6