



US00D542869S

(12) **United States Design Patent**
Adams

(10) **Patent No.:** **US D542,869 S**

(45) **Date of Patent:** **** *May 15, 2007**

(54) **GOLF PUTTER HEAD**

(75) Inventor: **Mark Wayne Adams**, Miamisburg, OH
(US)

(73) Assignee: **Huffy Sports Delaware, Inc.**,
Miamisburg, OH (US)

(*) Notice: This patent is subject to a terminal disclaimer.

(**) Term: **14 Years**

(21) Appl. No.: **29/243,555**

(22) Filed: **Nov. 28, 2005**

Related U.S. Application Data

(63) Continuation-in-part of application No. 29/238,272, filed on Sep. 14, 2005.

(51) **LOC (8) Cl.** **21-02**

(52) **U.S. Cl.** **D21/742**

(58) **Field of Classification Search** D21/736-746;
473/324-331, 251-256, 340, 341
See application file for complete search history.

(56) **References Cited**

U.S. PATENT DOCUMENTS

D230,869 S * 3/1974 Winter D21/745

D233,454 S * 10/1974 Winter D21/746

D399,274 S * 10/1998 Bradford D21/736

D456,472 S * 4/2002 Yerelian D21/736

D486,541 S * 2/2004 Bettinardi D21/738

D494,237 S * 8/2004 Ware D21/736

D509,867 S * 9/2005 Perry D21/743

D515,646 S * 2/2006 Perry D21/742

* cited by examiner

Primary Examiner—Mitchell Siegel

(74) *Attorney, Agent, or Firm*—Michael J. Bell; Howrey LLP

(57) **CLAIM**

The ornamental design for a golf putter head, as shown and described.

DESCRIPTION

FIG. 1 is a perspective view of a golf putter head embodying my design;

FIG. 2 is a left side elevational view thereof;

FIG. 3 is a right side elevational view thereof;

FIG. 4 is a top view thereof;

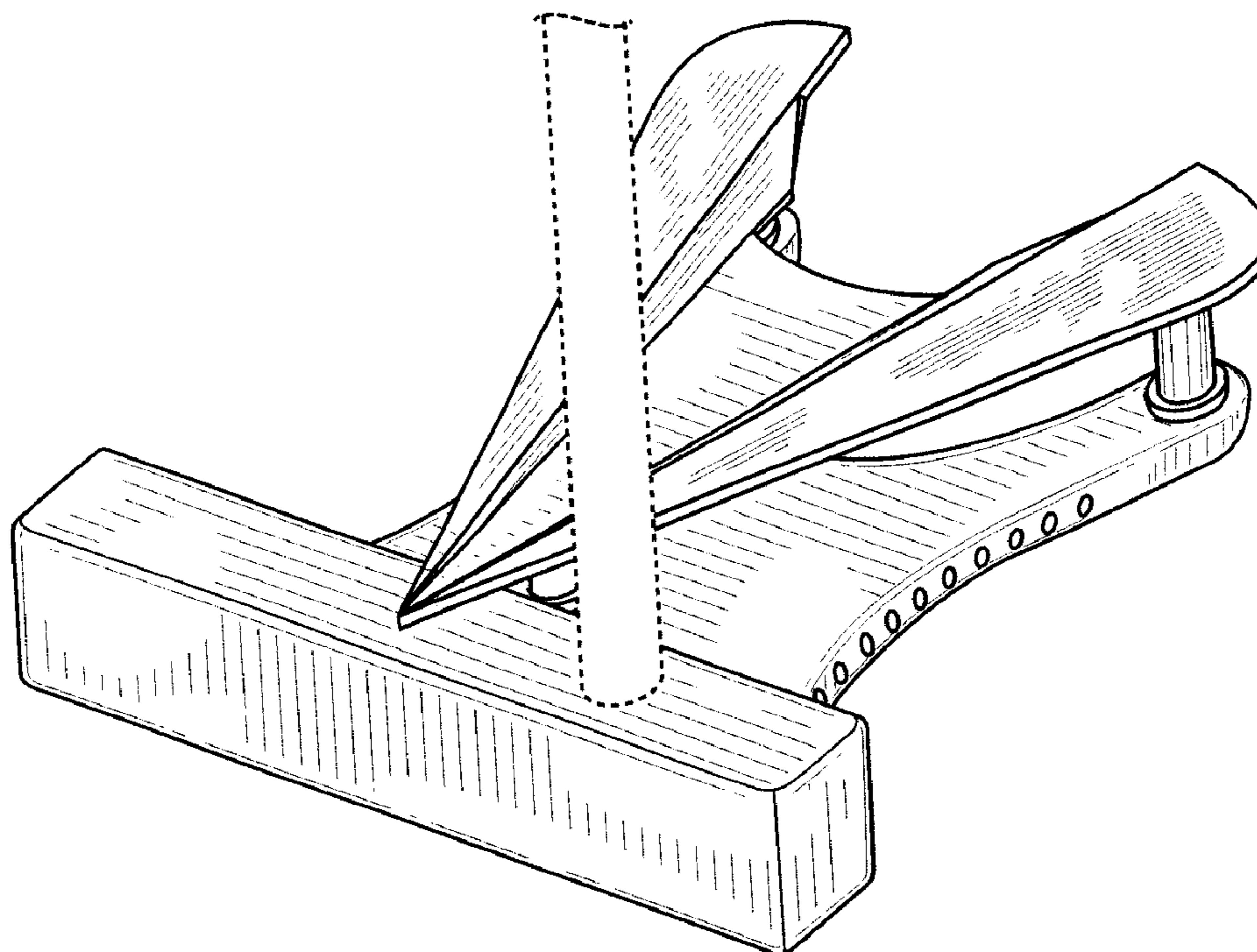
FIG. 5 is a bottom view thereof;

FIG. 6 is a front elevational view thereof; and,

FIG. 7 is a rear elevational view thereof.

The broken lines shown in the Figures are for illustrative purposes only and form no part of the claimed design.

1 Claim, 4 Drawing Sheets



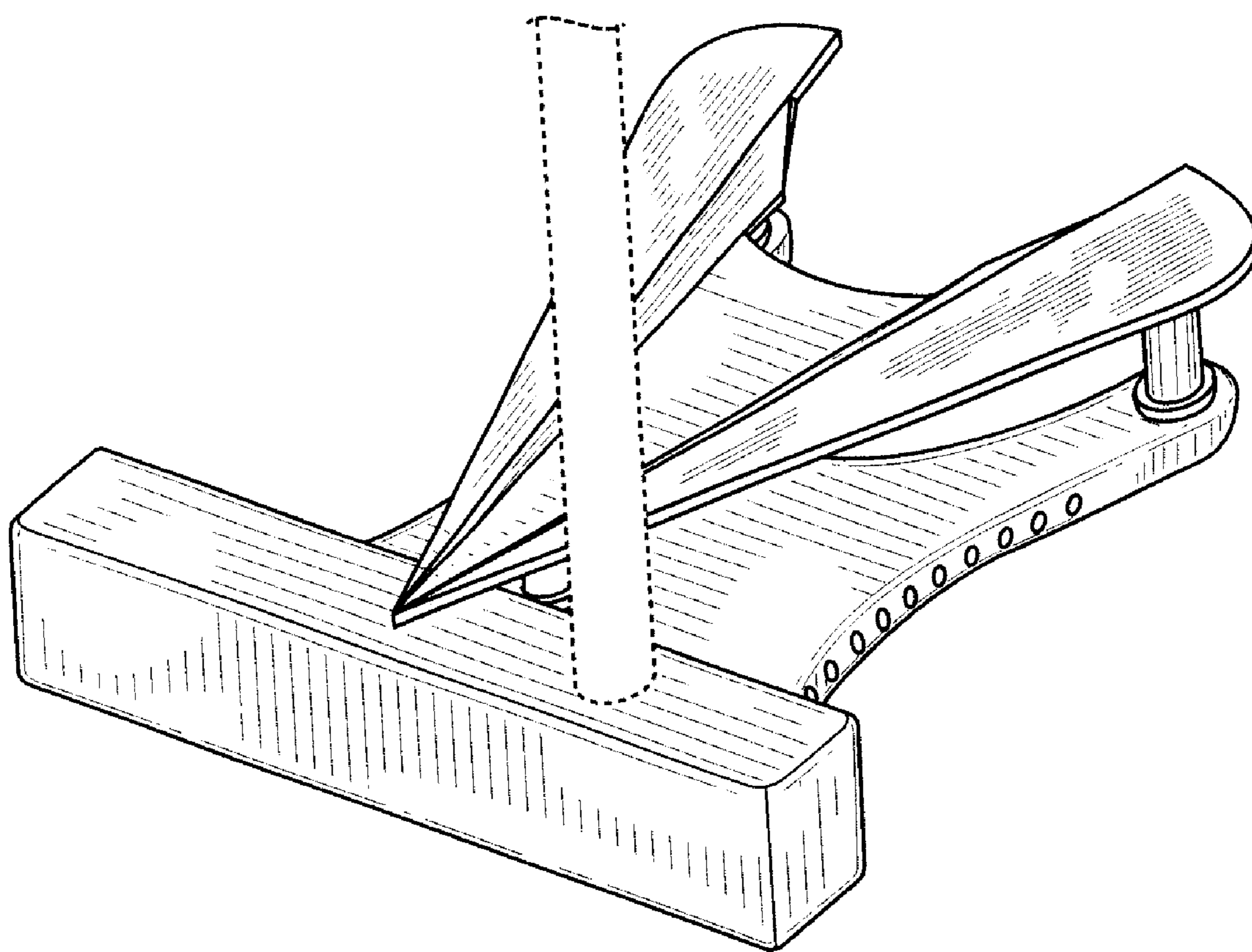


FIG. 1

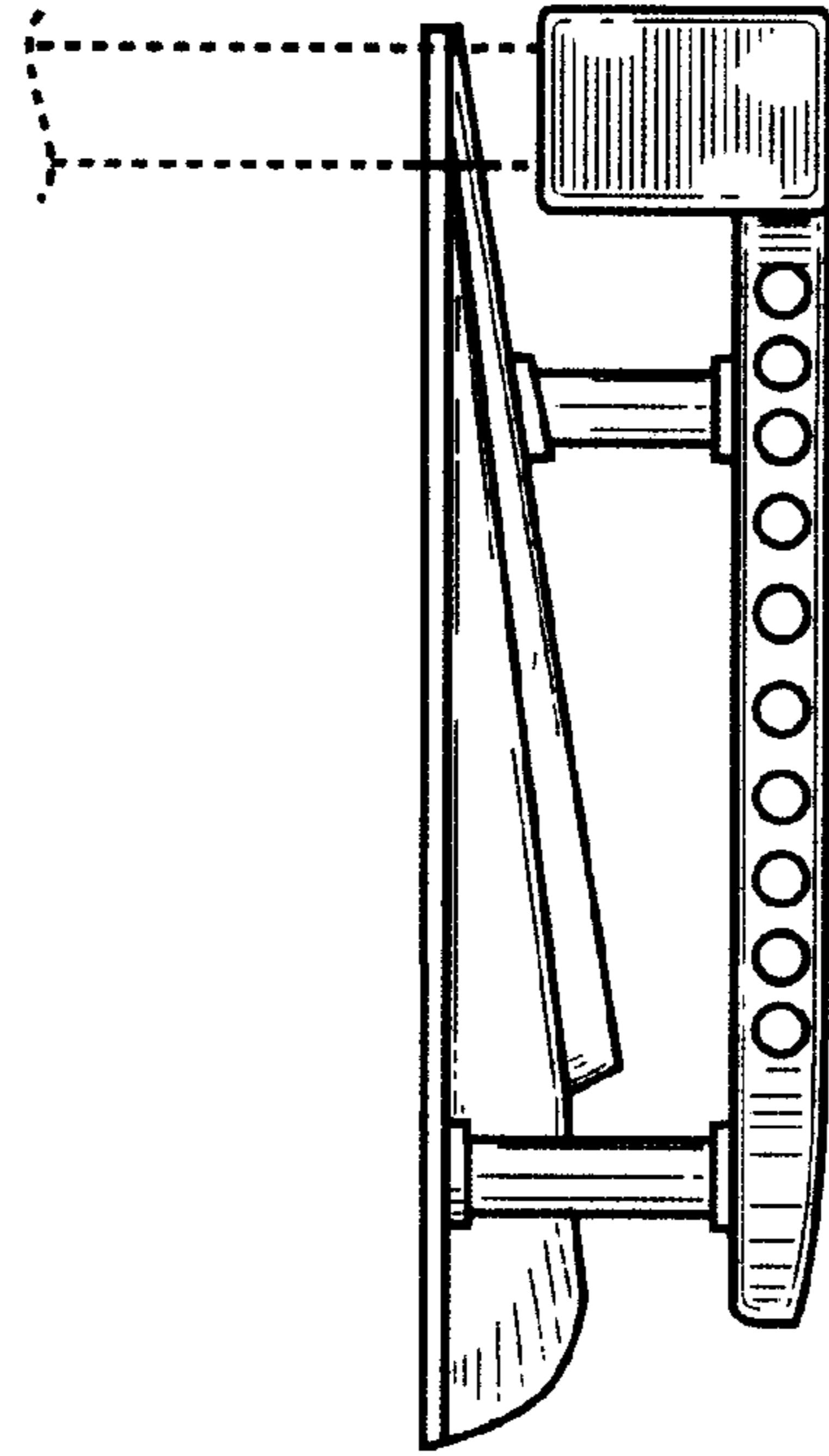


FIG. 3

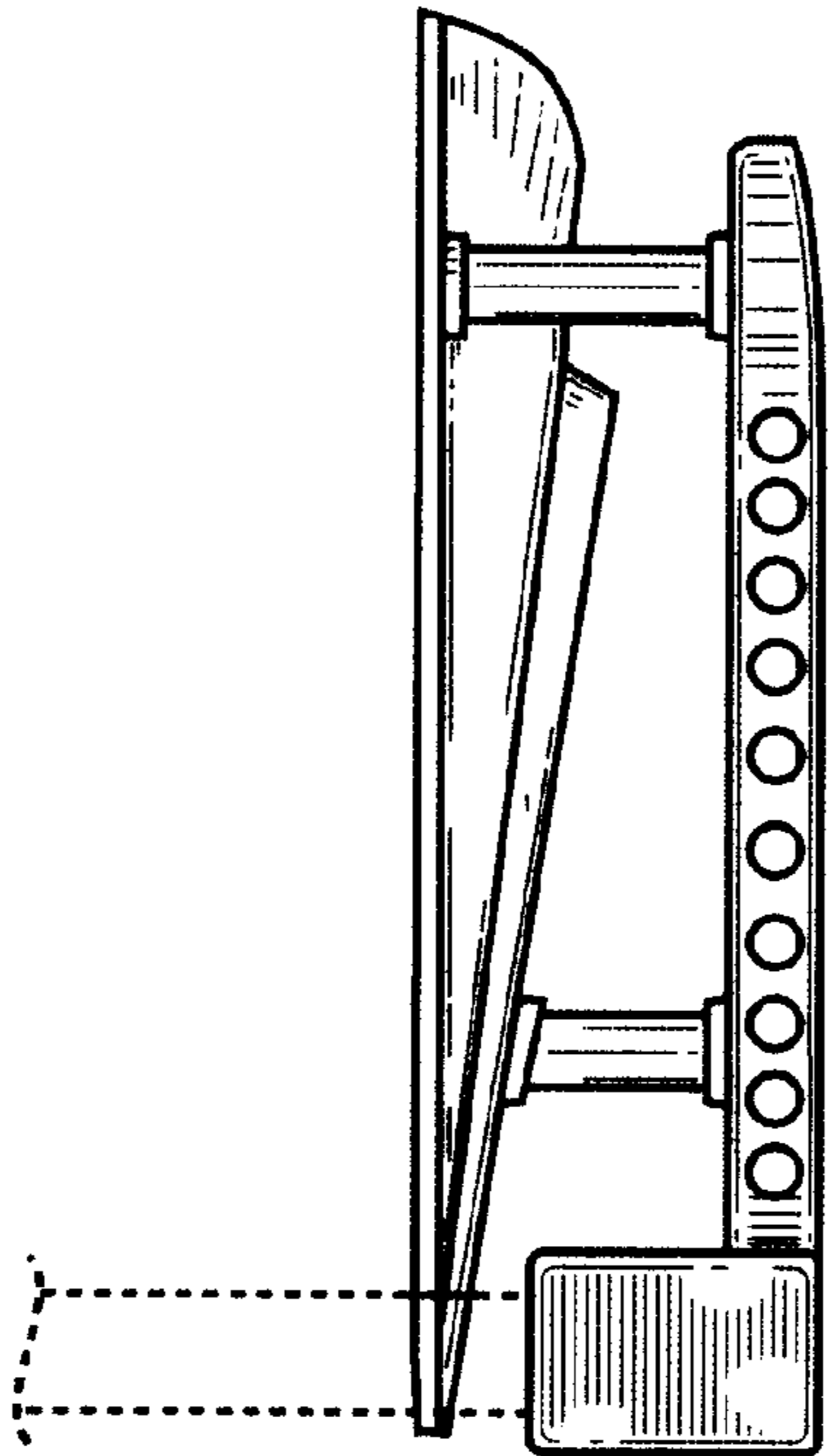


FIG. 2

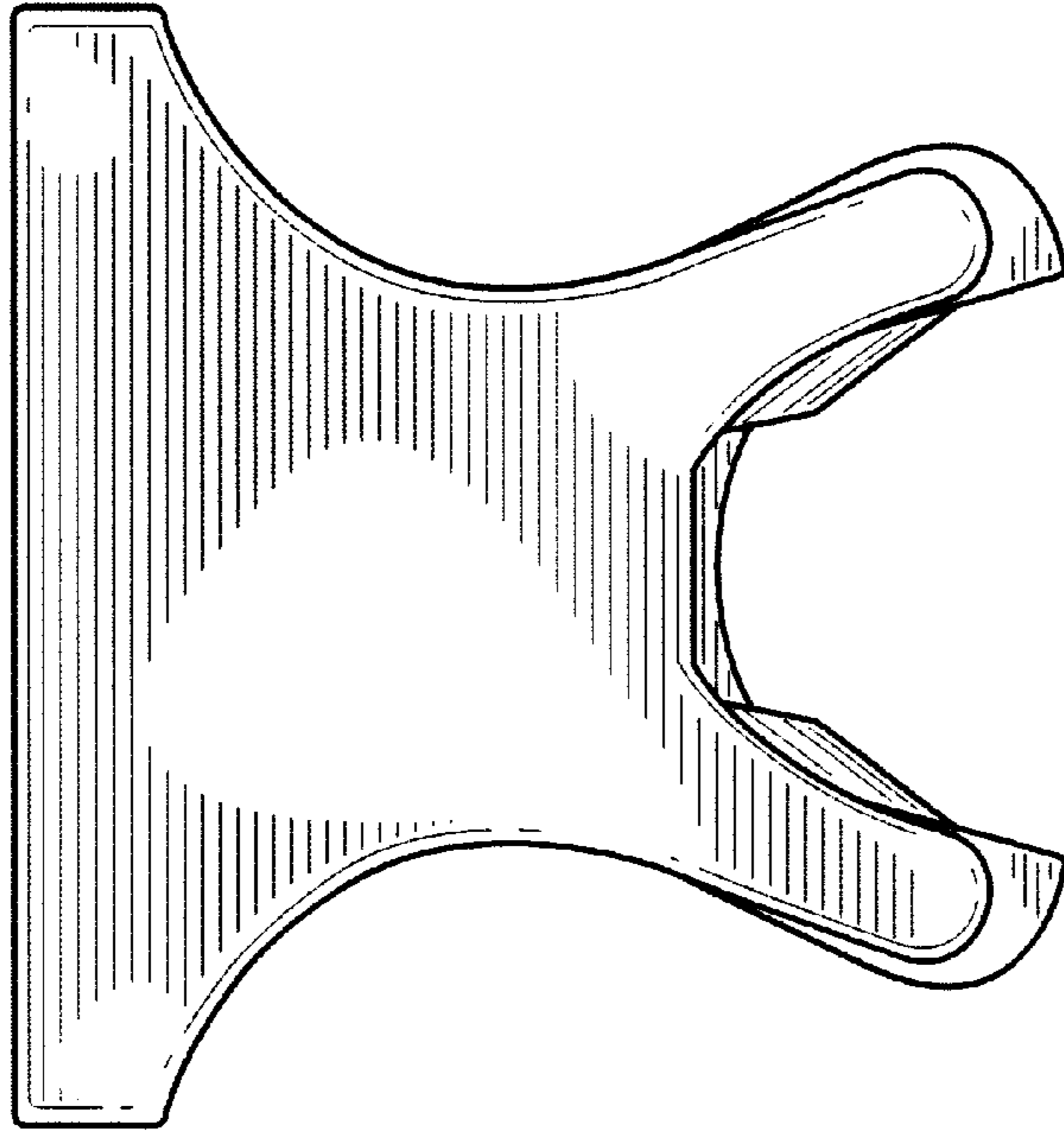


FIG. 5

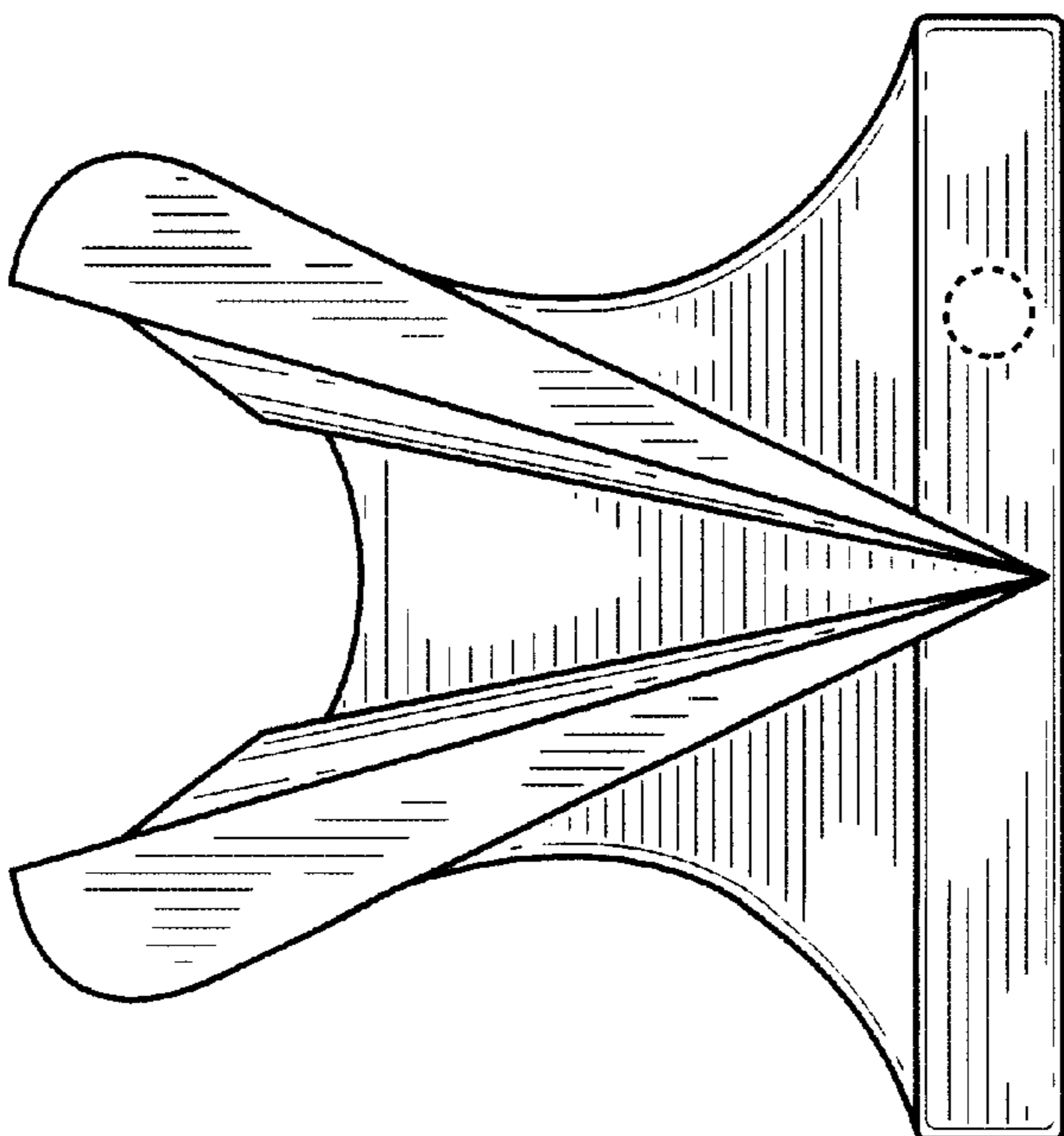


FIG. 4

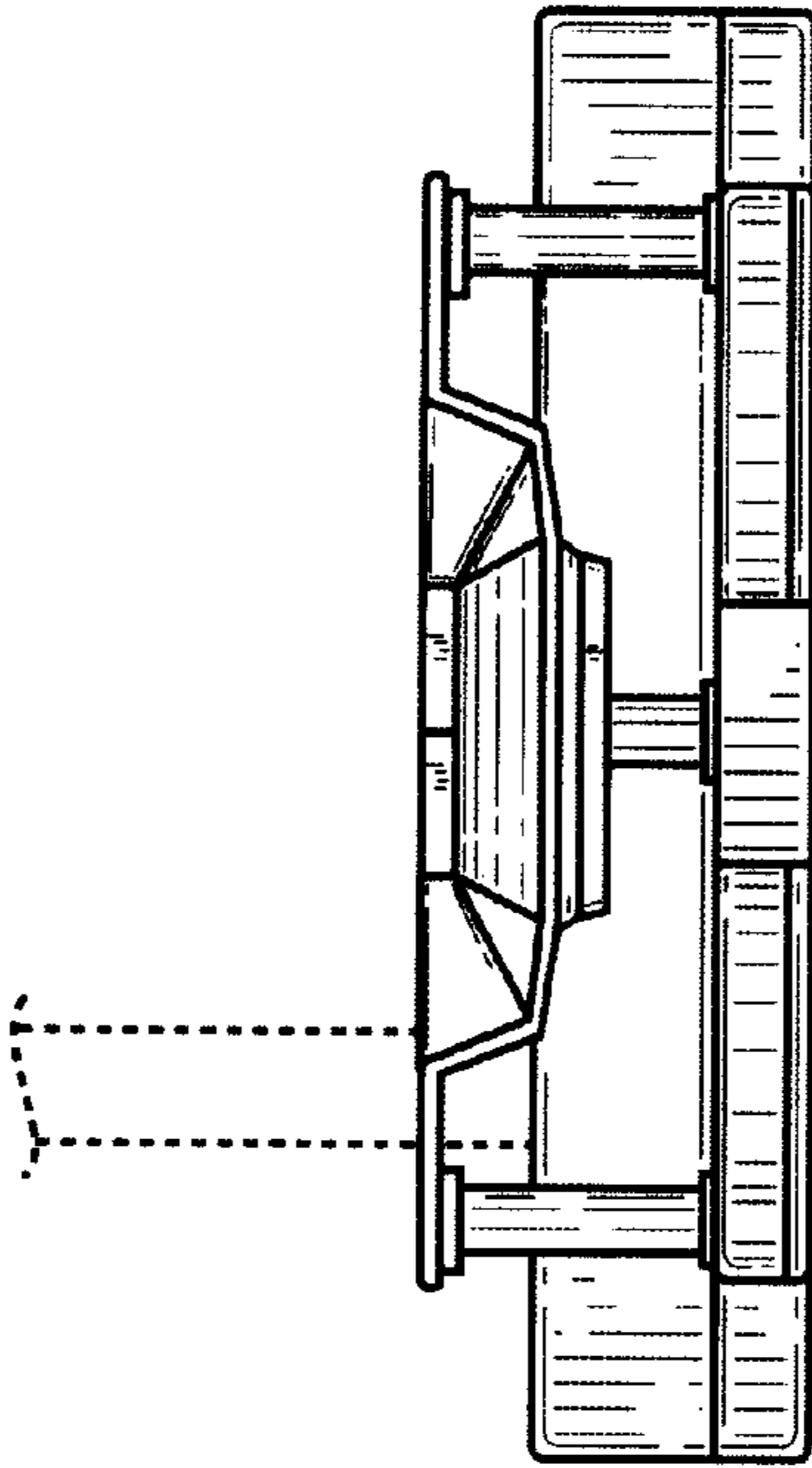


FIG. 6

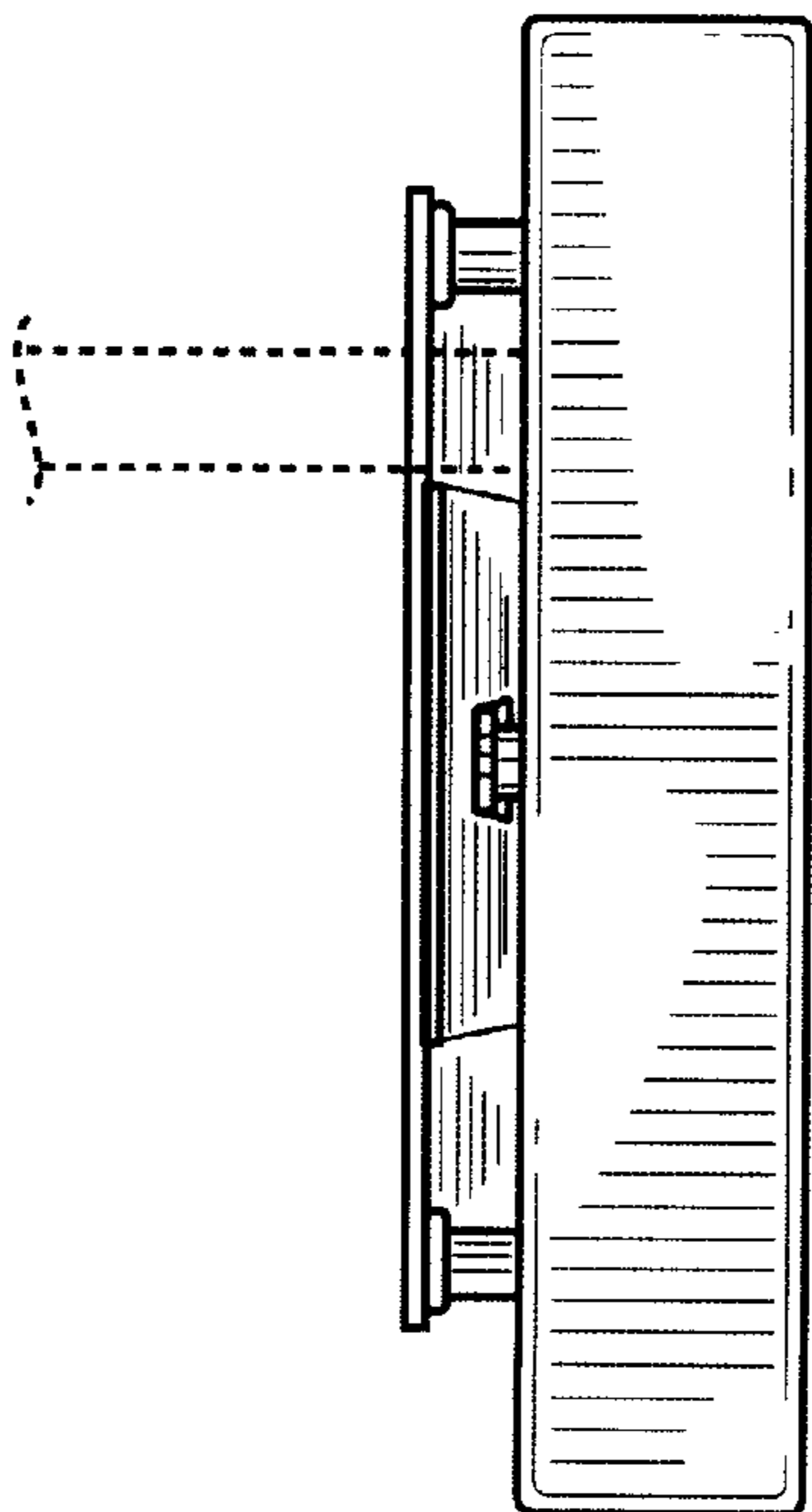


FIG. 7