



US00D542868S

(12) **United States Design Patent** (10) **Patent No.:** **US D542,868 S**
Webber (45) **Date of Patent:** **** May 15, 2007**

(54) **FOLDING EXERCISE BENCH**

2006/0217249 A1 9/2006 Webber

(76) Inventor: **Randall T. Webber**, 1265 Park Row,
La Jolla, CA (US) 92037

(**) Term: **14 Years**

(21) Appl. No.: **29/243,975**

(22) Filed: **Dec. 2, 2005**

(51) **LOC (8) Cl.** **21-02**

(52) **U.S. Cl.** **D21/690**

(58) **Field of Classification Search** D21/662,
D21/676, 686, 690; 482/104, 133, 140, 142,
482/96; D24/183

See application file for complete search history.

(56) **References Cited**

U.S. PATENT DOCUMENTS

| | | | | |
|----------------|---------|-----------------|-------|---------|
| D254,562 S * | 3/1980 | Pearo | | D21/690 |
| 4,623,144 A | 11/1986 | Rockwell | | |
| 4,627,619 A | 12/1986 | Rockwell et al. | | |
| 5,190,513 A * | 3/1993 | Habing et al. | | 482/145 |
| D339,617 S * | 9/1993 | Harashima | | D21/690 |
| D366,917 S * | 2/1996 | Clem | | D21/690 |
| D370,506 S * | 6/1996 | Clem | | D21/687 |
| D406,290 S * | 3/1999 | McBride | | D21/690 |
| D425,153 S * | 5/2000 | Grider | | D21/690 |
| 6,123,653 A * | 9/2000 | Huang | | 482/142 |
| 6,206,809 B1 | 3/2001 | Habing et al. | | |
| 6,248,047 B1 | 6/2001 | Abdo | | |
| 6,258,016 B1 | 7/2001 | Kuo | | |
| 6,287,243 B1 * | 9/2001 | Isom et al. | | 482/142 |
| 6,287,244 B1 | 9/2001 | Boos | | |
| 6,379,289 B1 | 4/2002 | Gossie | | |
| 6,387,024 B1 | 5/2002 | Monti et al. | | |
| 6,478,721 B1 | 11/2002 | Hunter | | |
| 6,491,607 B2 | 12/2002 | Simmons et al. | | |
| 6,544,154 B2 * | 4/2003 | Forcillo | | 482/142 |
| 6,575,884 B1 | 6/2003 | Eazor | | |
| D477,372 S * | 7/2003 | Garner | | D21/690 |
| 6,712,743 B2 * | 3/2004 | Chen | | 482/142 |
| 6,740,015 B1 | 5/2004 | Stearns | | |
| D519,585 S * | 4/2006 | Webber | | D21/690 |

OTHER PUBLICATIONS

U. K. Fitness Supplies Websight. found on internet, Oct. 2, 2006, Page of Mid-Section (abdominal) machines.*
U.S. Appl. No. 29/243,976, filed Dec. 02, 2005, Webber.
U.S. Appl. No. 29/243,777, filed Nov. 30, 2005, Webber.
Sit Up Bench, Speedent Corp. Brochure, 1997.

(Continued)

Primary Examiner—Philip S. Hyder

(74) *Attorney, Agent, or Firm*—Procopio Cory Hargreaves & Savitch

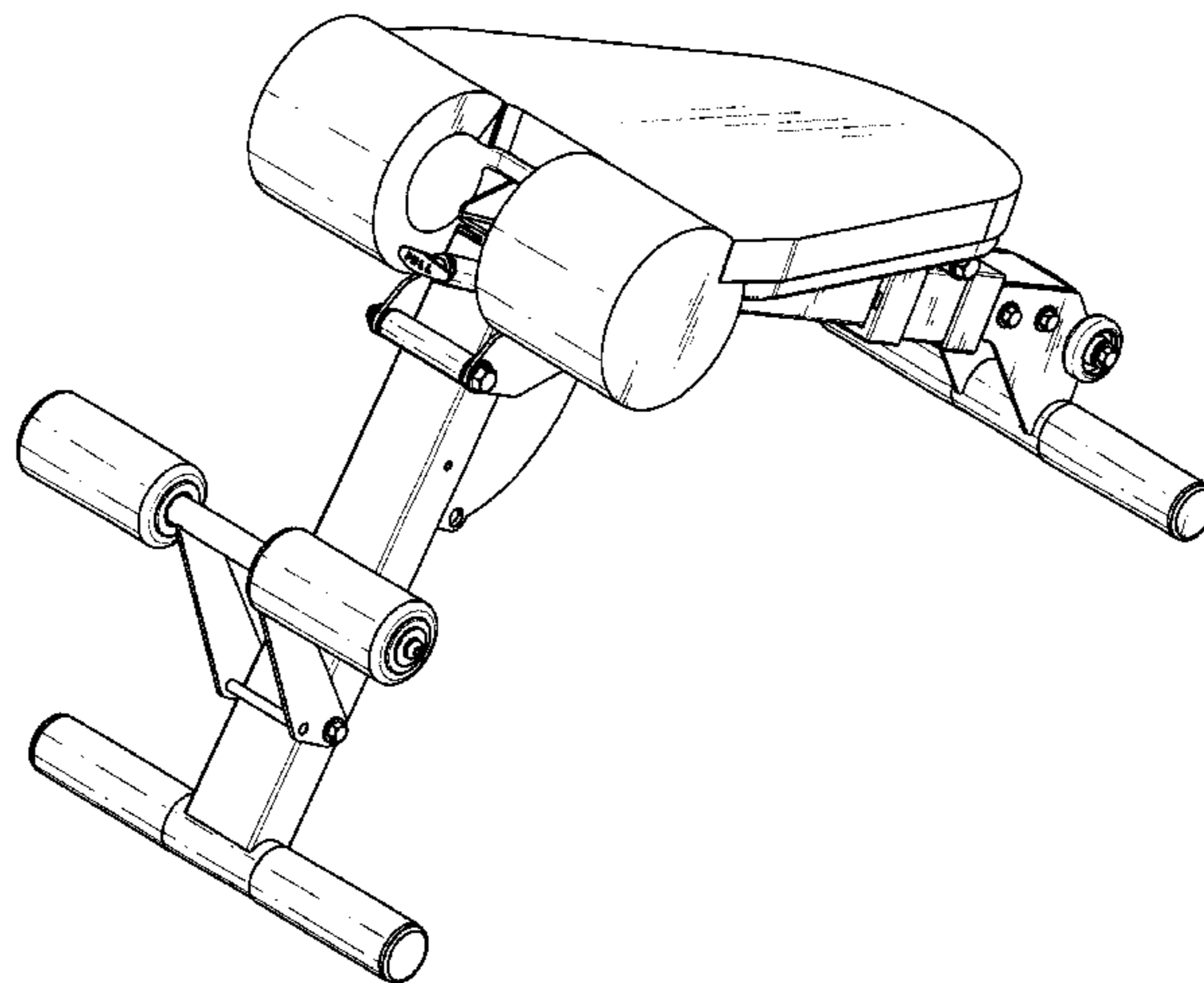
(57) **CLAIM**

I claim the ornamental design for a folding exercise bench, as shown.

DESCRIPTION

FIG. 1 is a front perspective view of a folding exercise bench in a first exercise position, showing my new design;
FIG. 2 is a front elevational view thereof;
FIG. 3 is a right side elevational view thereof;
FIG. 4 is a left side elevational view thereof;
FIG. 5 is a top plan view thereof;
FIG. 6 is a rear elevational view thereof;
FIG. 7 is a bottom plan view thereof;
FIG. 8 is a front perspective view of the folding exercise bench of FIG. 1, showing the bench in a second exercise position;
FIG. 9 is a right side elevational view of the bench in the position of FIG. 8;
FIG. 10 is a rear perspective view of the bench in the position of FIG. 8;
FIG. 11 is a front perspective view of the folding exercise bench in a lowered, folded position;
FIG. 12 is a right side elevational view of the bench in the position of FIG. 11; and,
FIG. 13 is a rear perspective view of the bench in the position of FIG. 11.

1 Claim, 13 Drawing Sheets



OTHER PUBLICATIONS

Kamparts EZ-Life Brochure, Date Unknown.
Zheigang Machinery & Equipment Corporation Brochure,
Abdominal Benches, ZE32020-12; -13; -14 and
ZE32020-16, Date Unknown.
Hoist Fitness Brochure, CF2162 Super Adjustable Decline
Bench, 2000.

Keys Fitness Brochure, Various Abdominal and Low Back
Exercise Benches, 2003.

Nautilus Fitness Brochure, Various Abdominal and Low
Back Benches, 2001.

KW 105m Abdominal Bench, Galaxy Star Brochure, Date
Unknown.

* cited by examiner

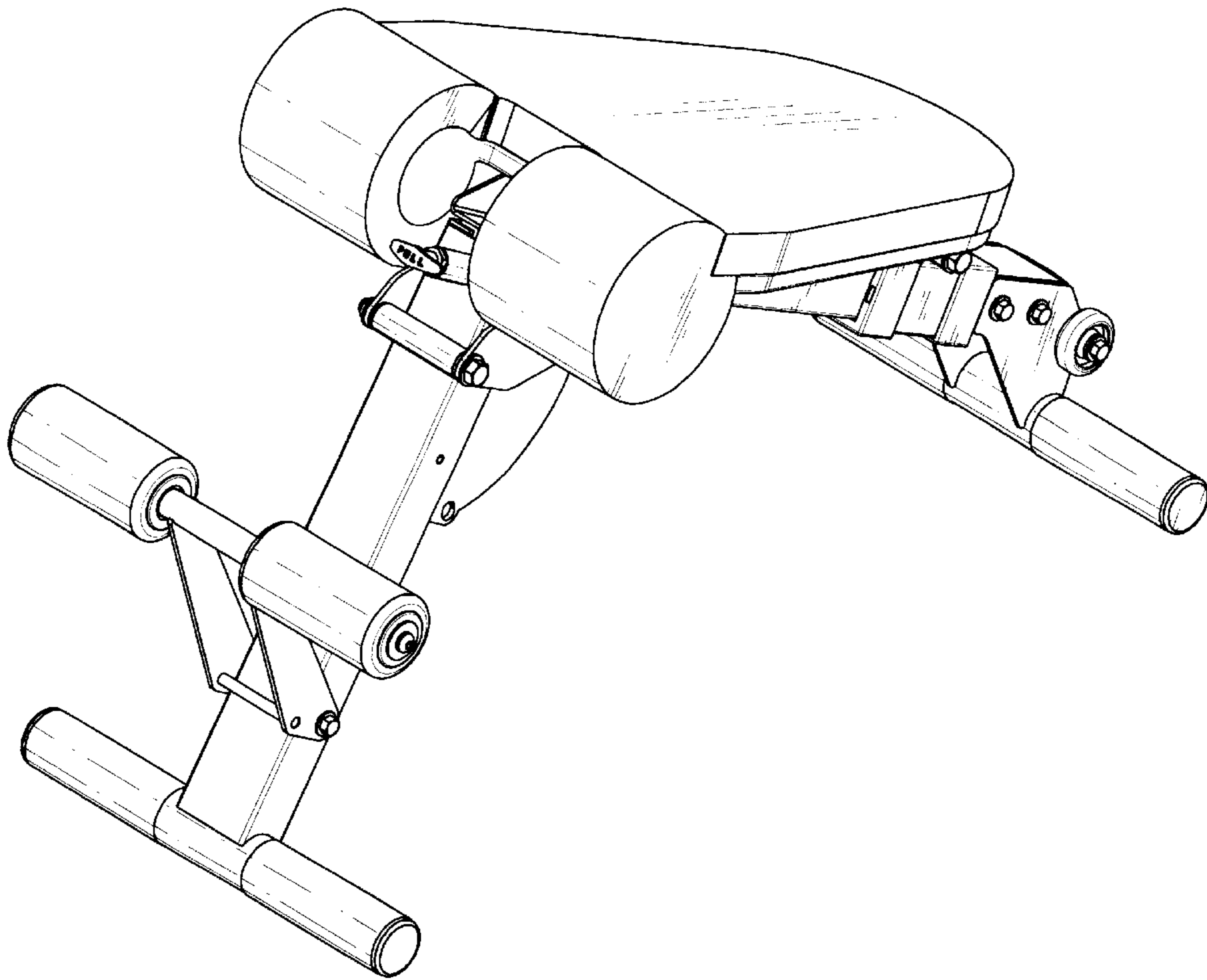


FIG. 1

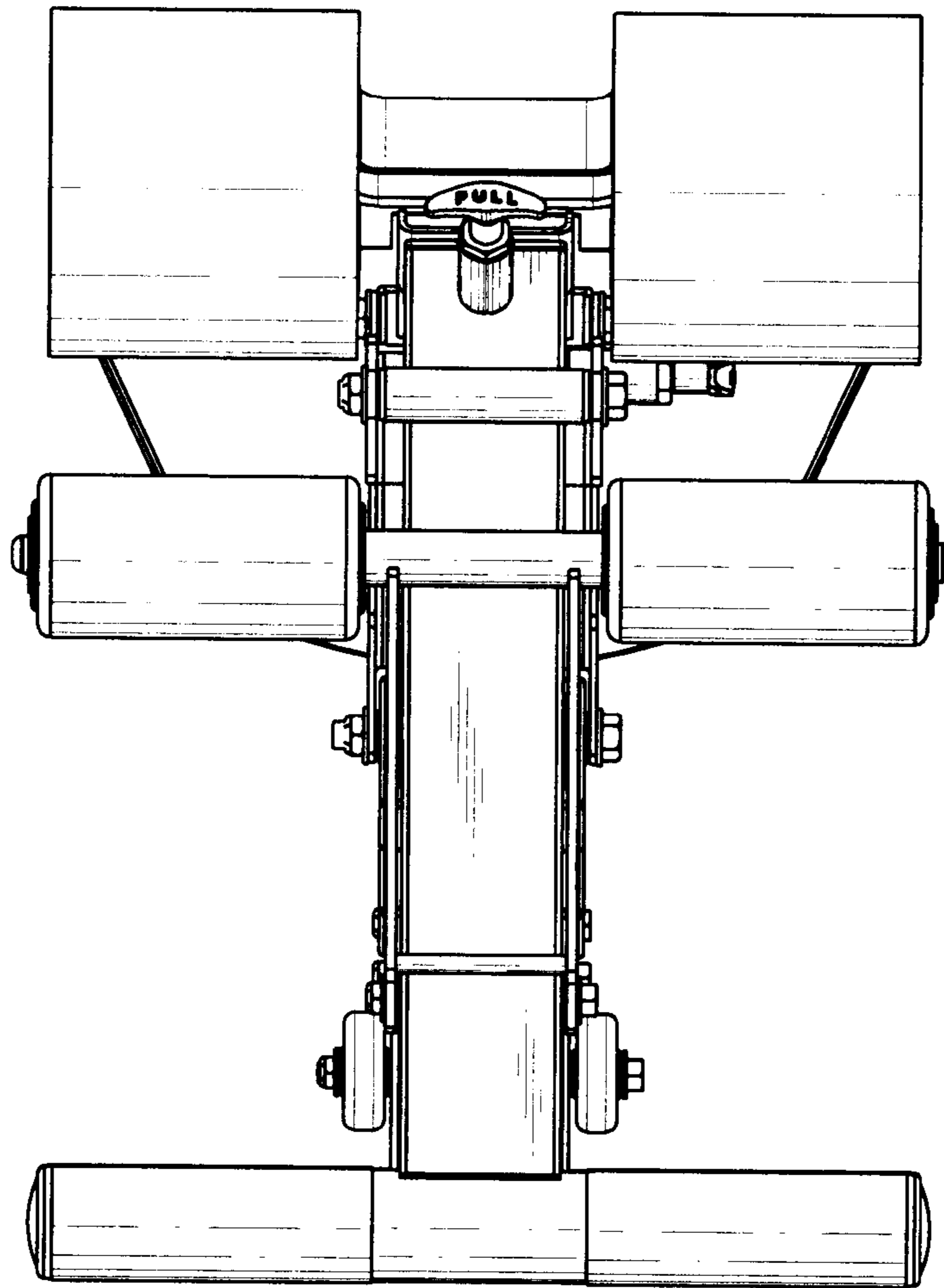


FIG. 2

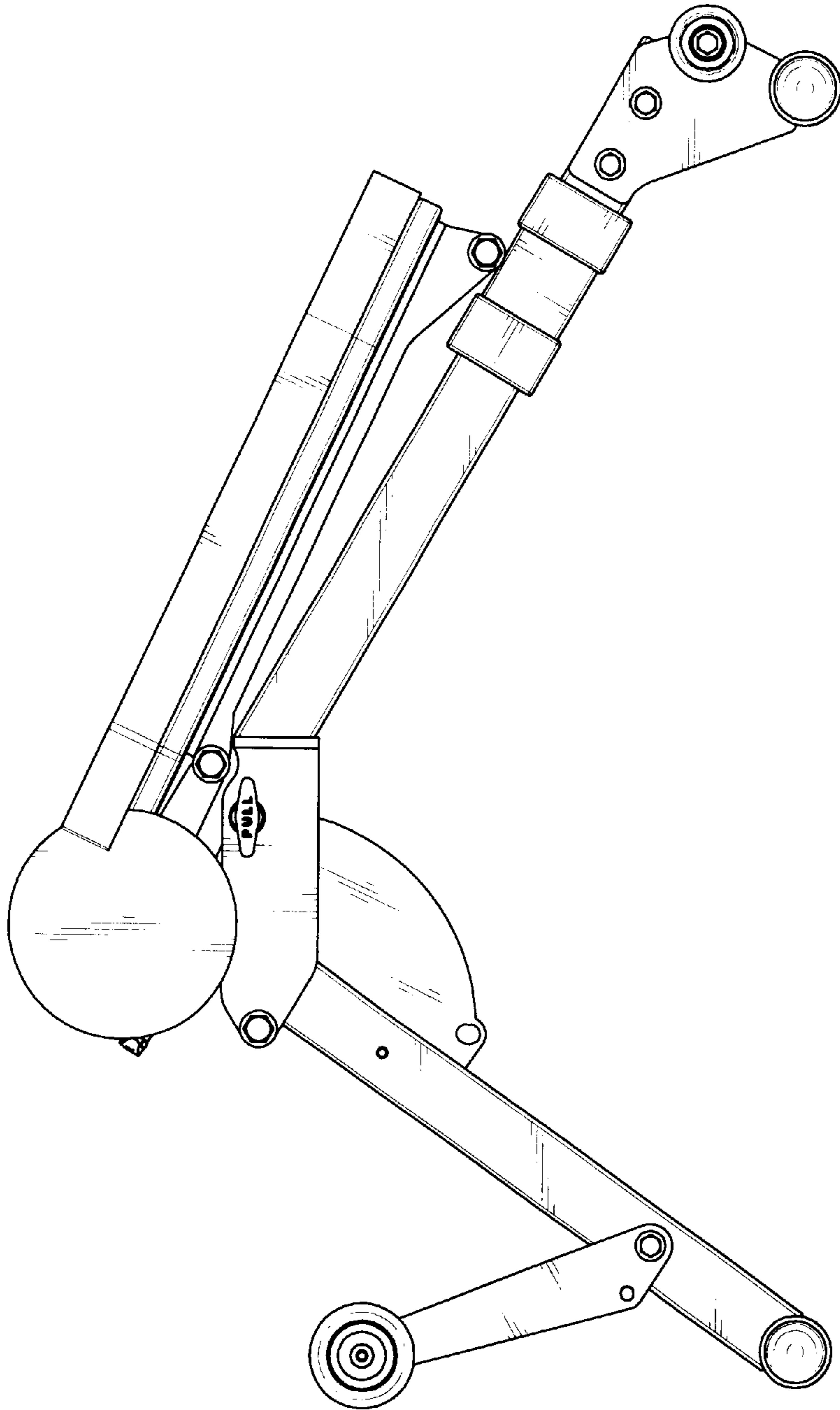


FIG. 3

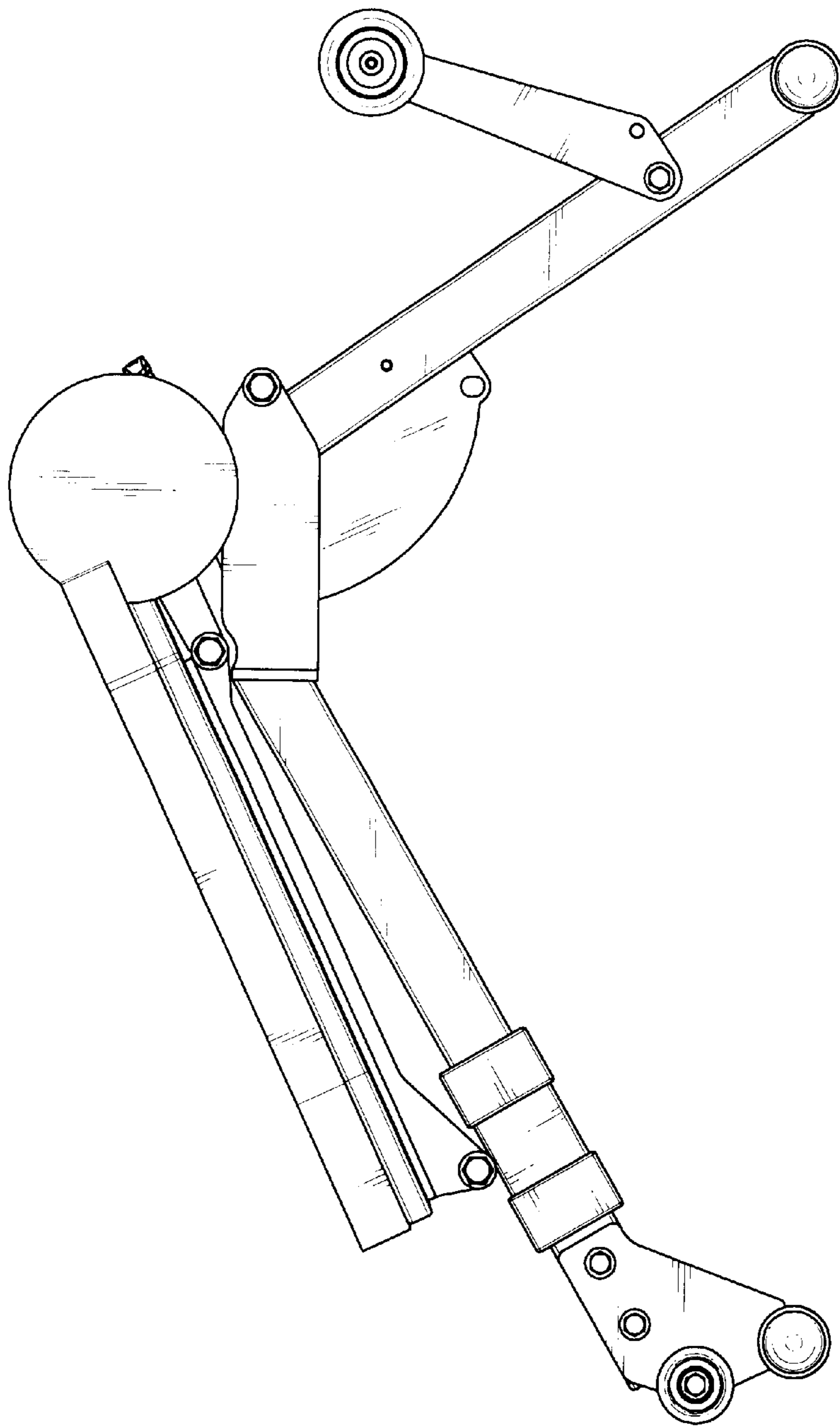


FIG. 4

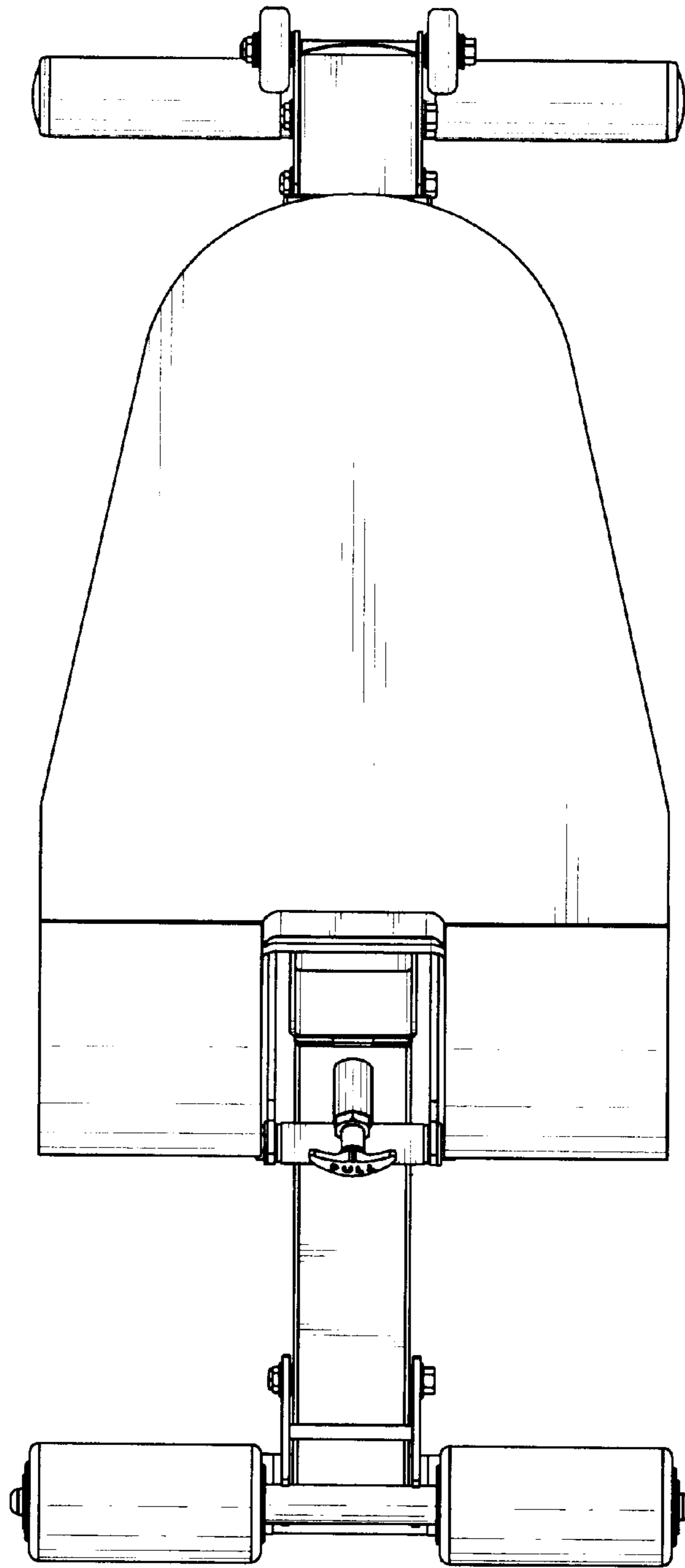


FIG. 5

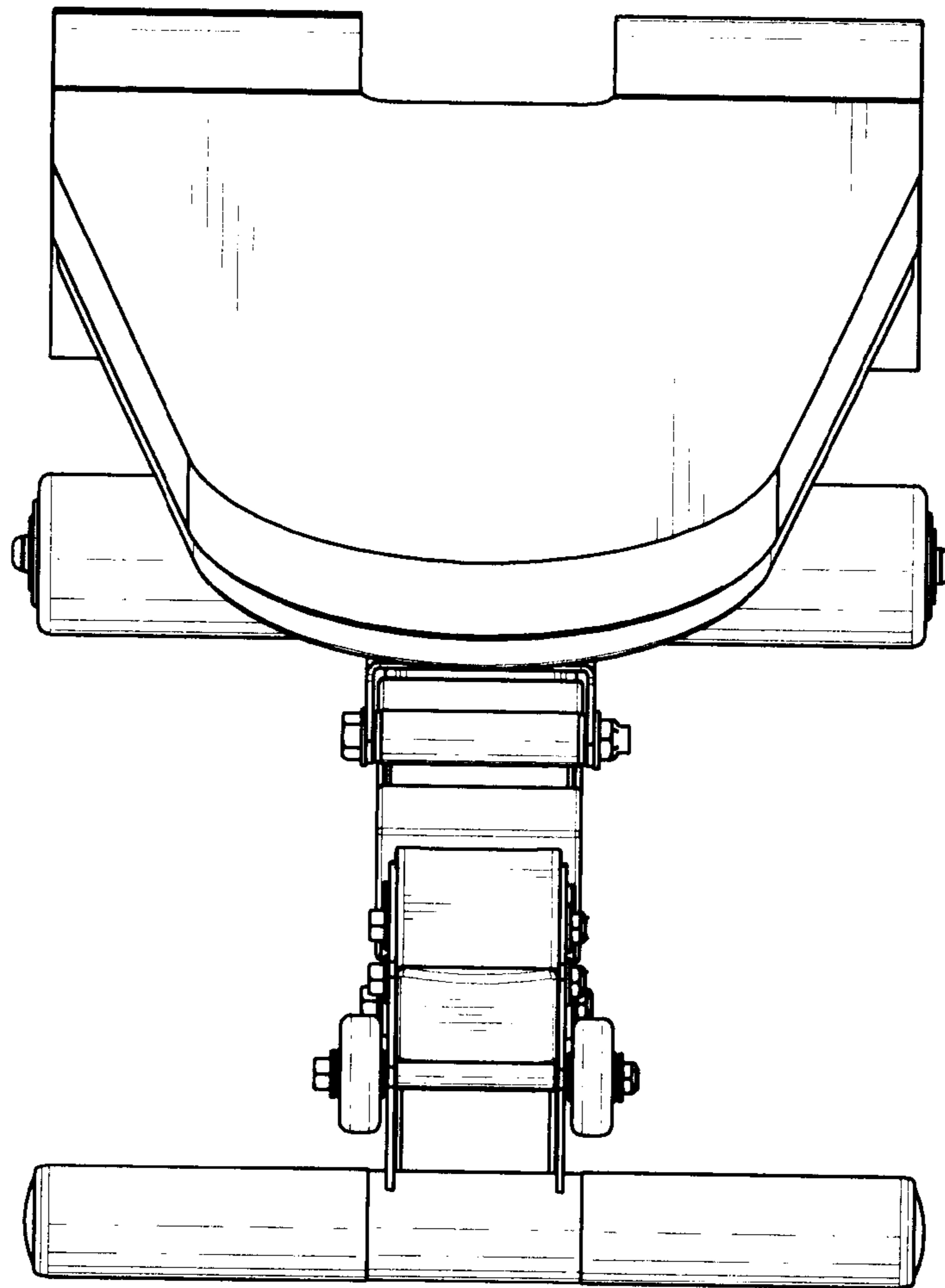


FIG. 6

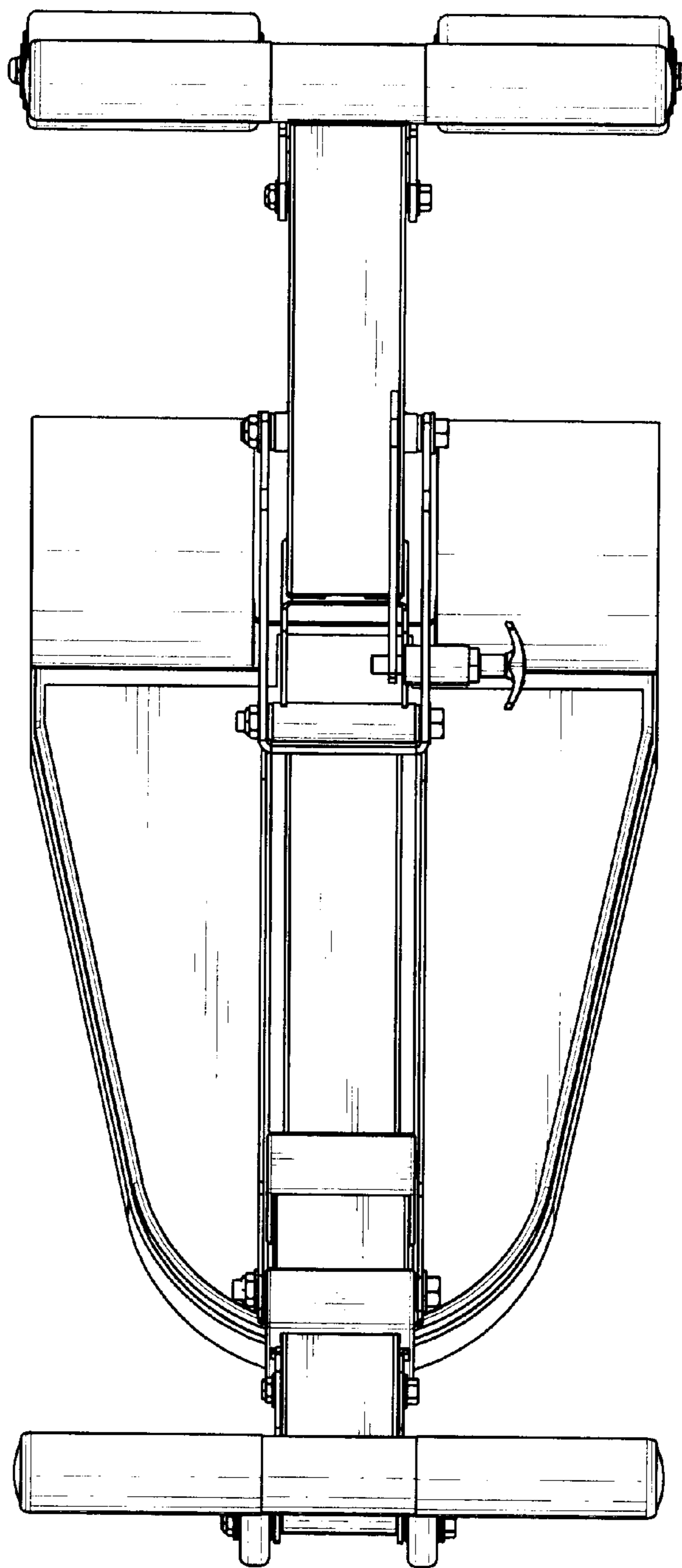


FIG. 7

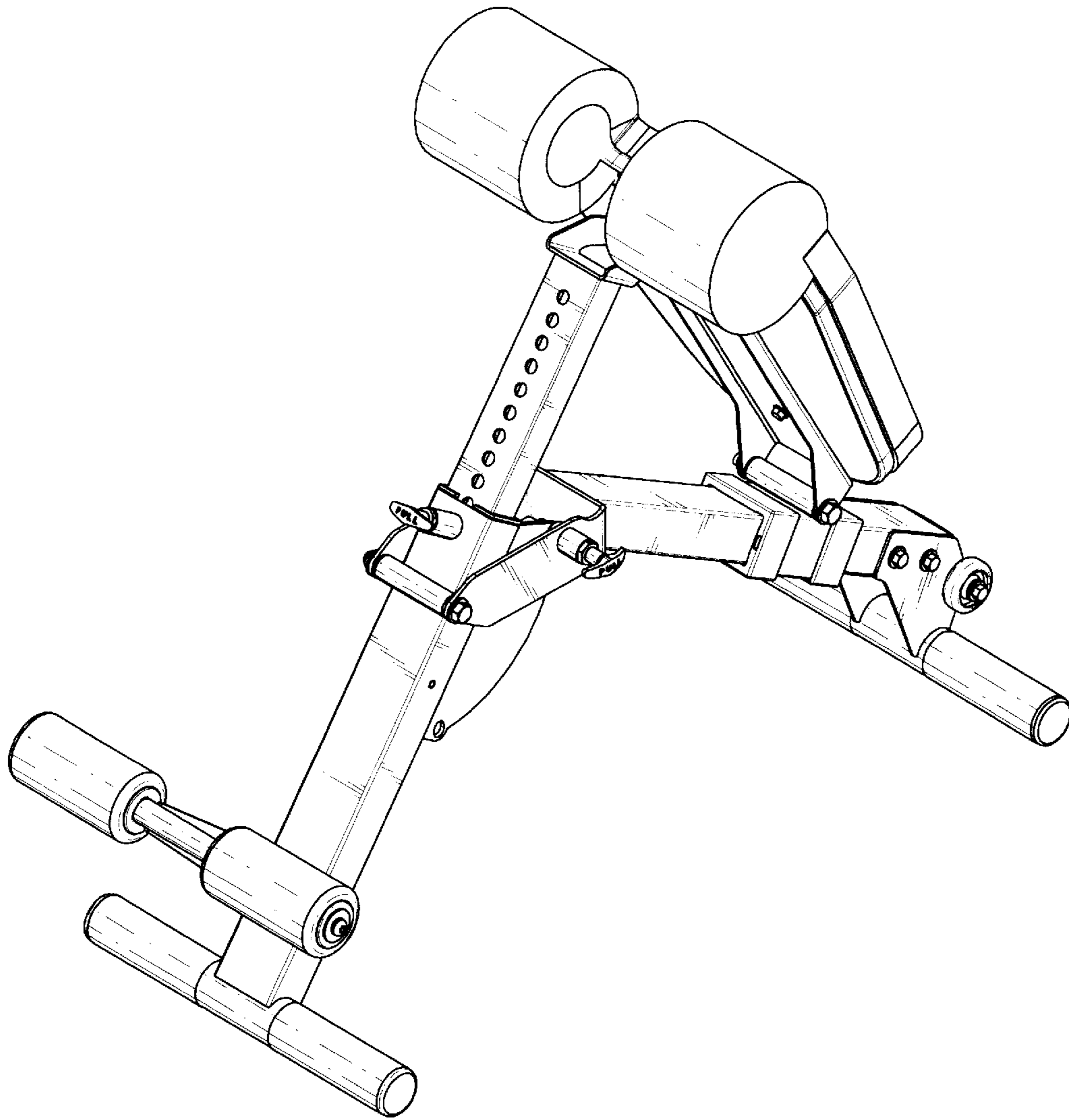


FIG. 8

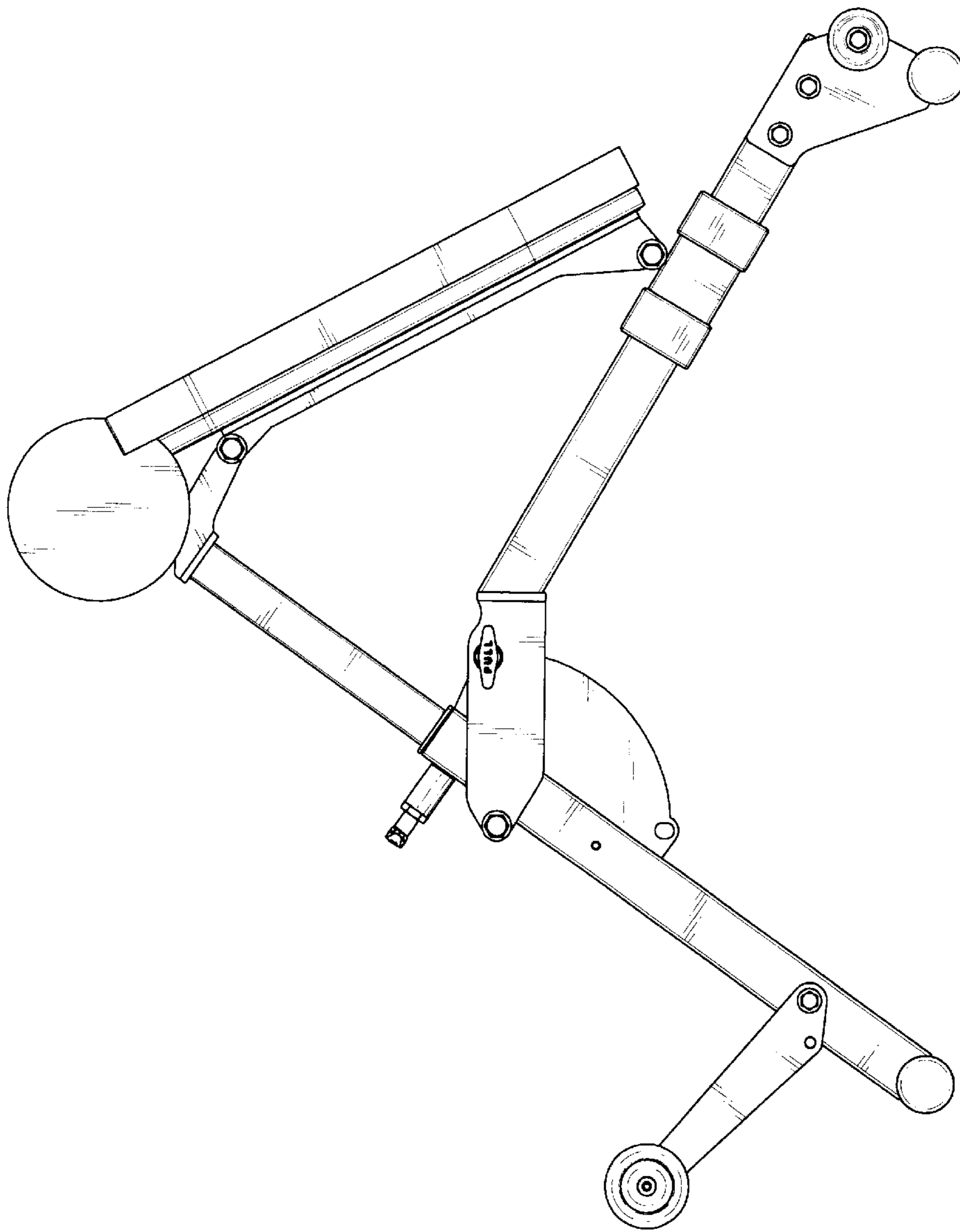


FIG. 9

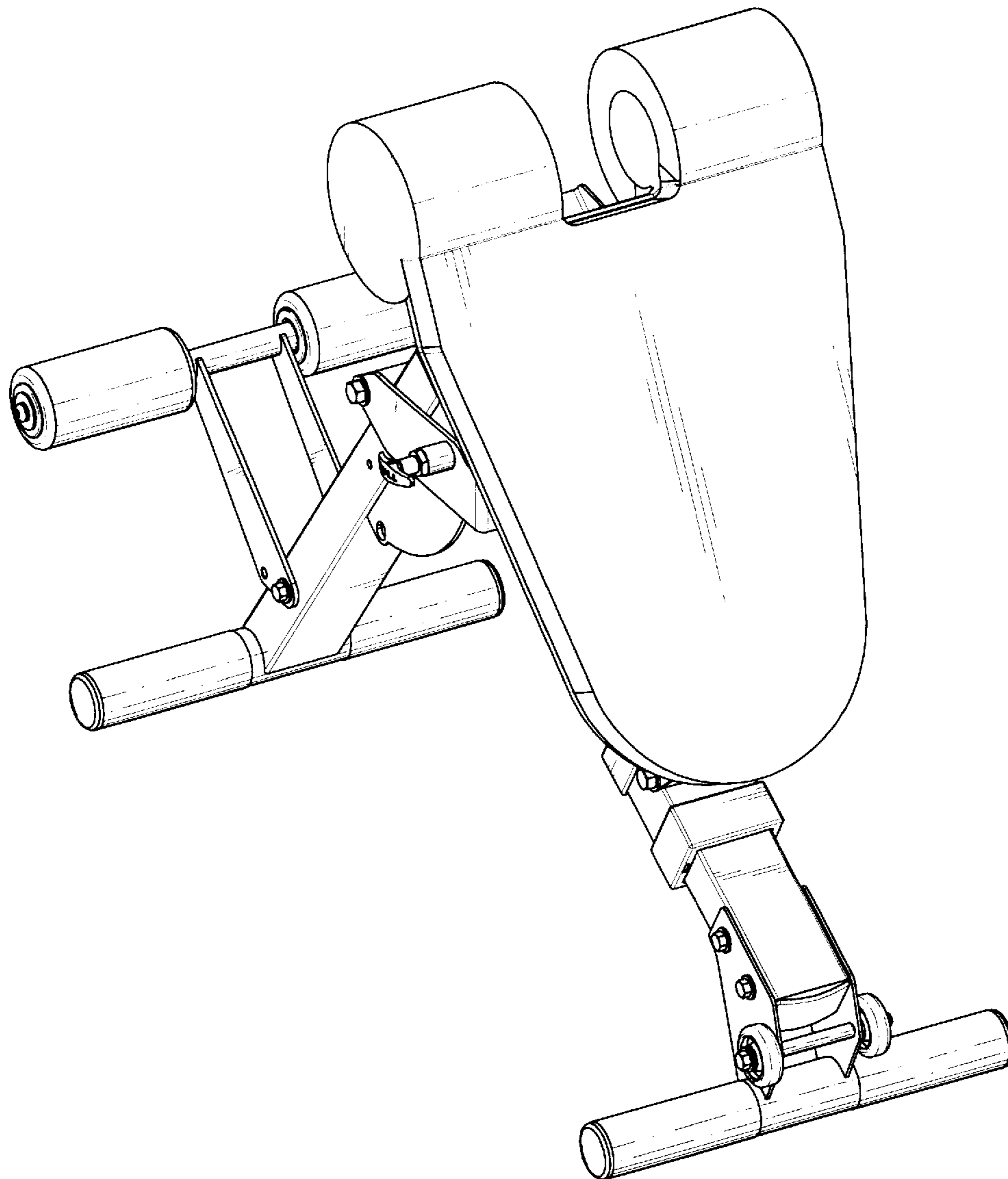


FIG. 10

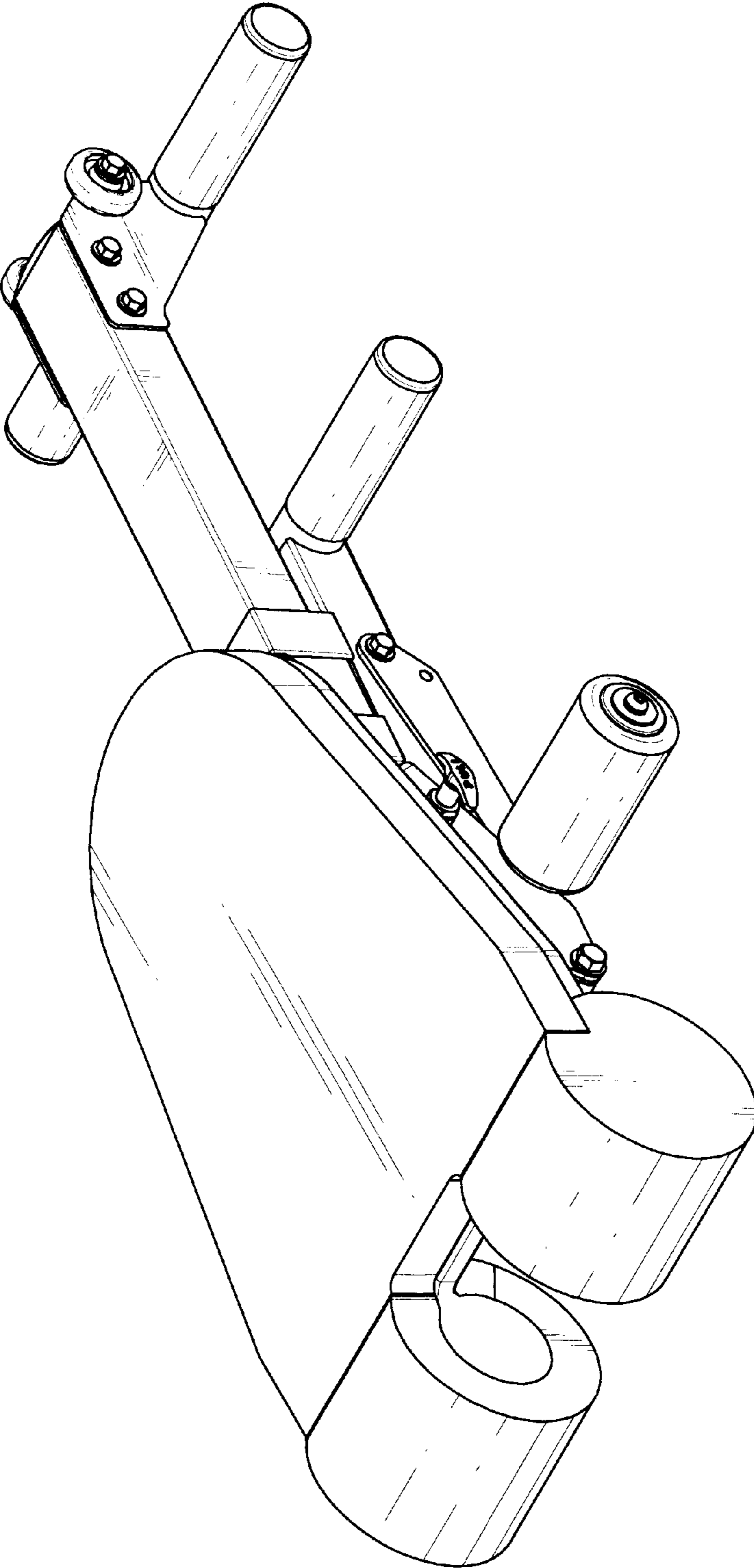


FIG. 11

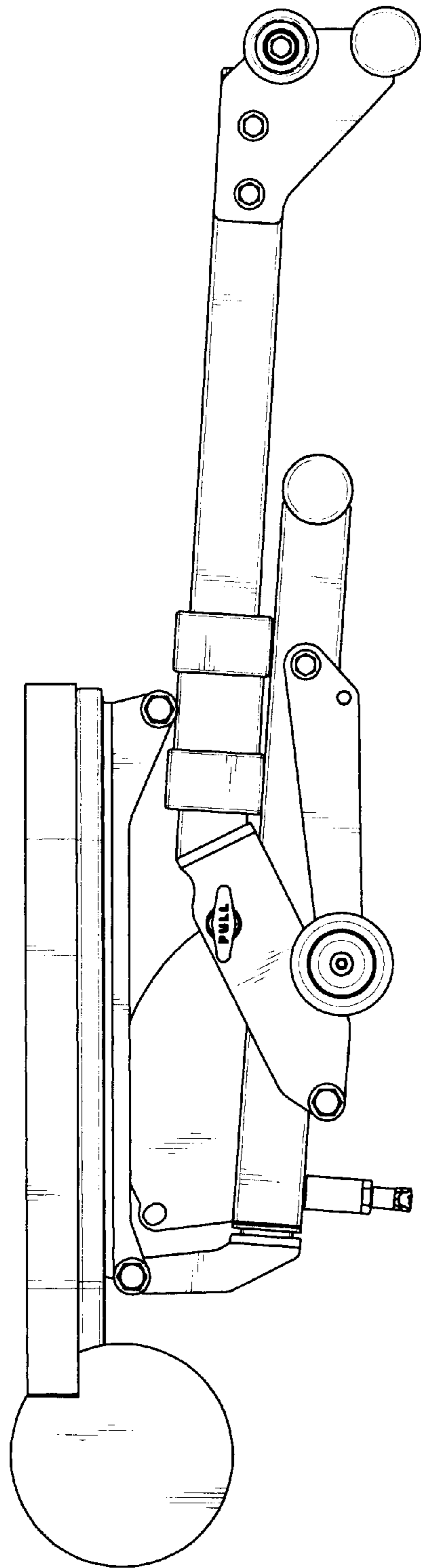


FIG. 12

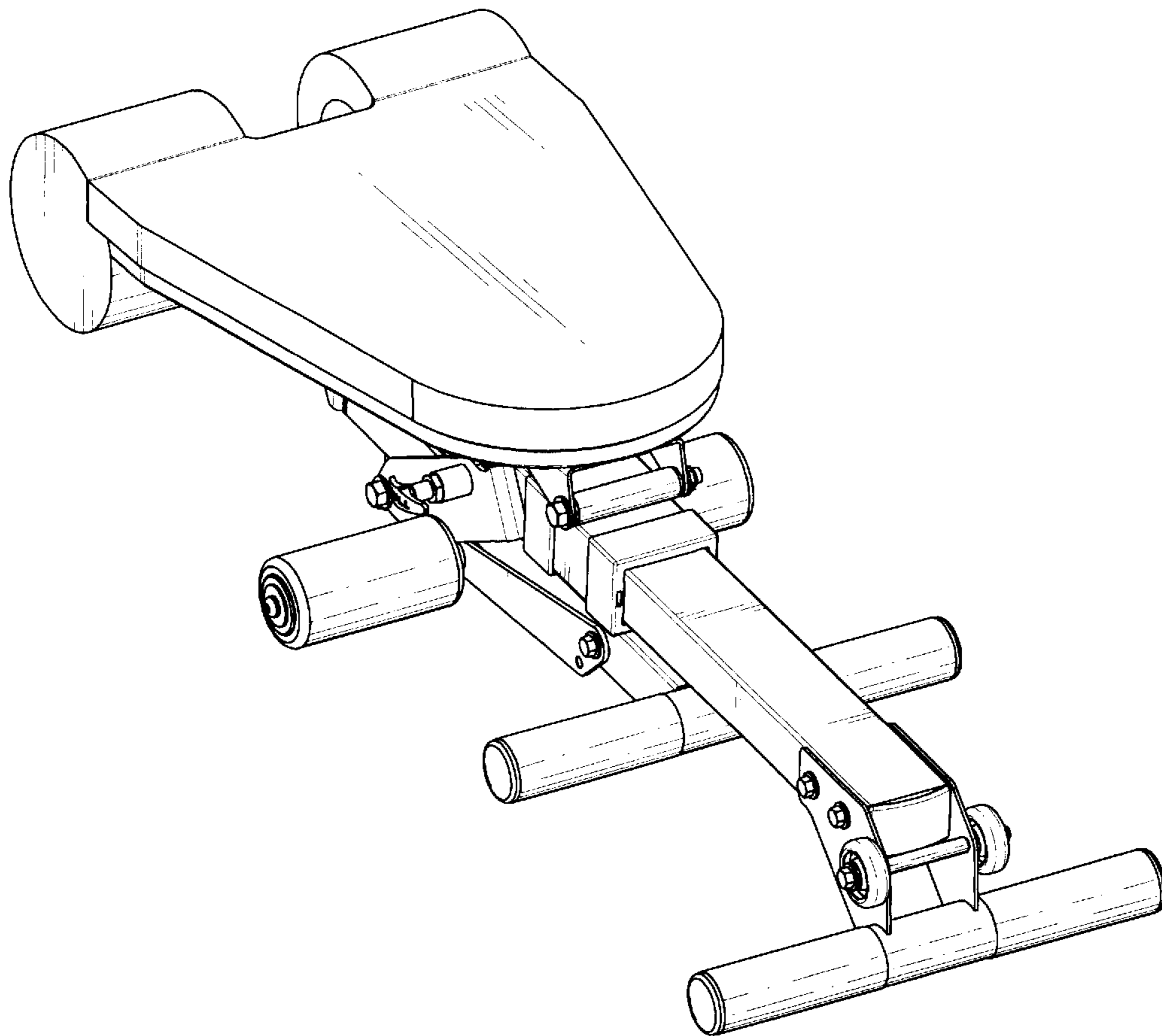


FIG. 13