

US00D542867S

(12) **United States Design Patent**  
**Teruo**

(10) **Patent No.:** **US D542,867 S**

(45) **Date of Patent:** **\*\* May 15, 2007**

(54) **ELECTROMECHANICAL EXERCISE APPARATUS**

D530,374 S \* 10/2006 Ng ..... D19/62

(75) Inventor: **Mihara Teruo**, Osaka (JP)

(73) Assignee: **Interactive Health, LLC**, Long Beach, CA (US)

(\*\*) Term: **14 Years**

(21) Appl. No.: **29/240,166**

(22) Filed: **Oct. 7, 2005**

(51) **LOC (8) Cl.** ..... **21-02**

(52) **U.S. Cl.** ..... **D21/688; D21/686**

(58) **Field of Classification Search** ..... D21/662,  
D21/686, 687, 688, 689, 690; 482/79, 142,  
482/146, 148, 80

See application file for complete search history.

(56) **References Cited**

**U.S. PATENT DOCUMENTS**

4,759,542	A	*	7/1988	Hudec	.....	482/34
4,905,994	A	*	3/1990	Hartz	.....	482/146
5,310,395	A	*	5/1994	Ko	.....	482/146
5,549,536	A	*	8/1996	Clark	.....	482/146
5,582,567	A	*	12/1996	Chang	.....	482/146
6,695,755	B1	*	2/2004	Huang	.....	482/146
D489,423	S	*	5/2004	Fan et al.	.....	D21/688
D499,456	S	*	12/2004	Hsu	.....	D21/668

**OTHER PUBLICATIONS**

iJoy Board, Interactive Health Websight on internet, 2006.\*

\* cited by examiner

*Primary Examiner*—Philip S. Hyder

(74) *Attorney, Agent, or Firm*—Christie, Parker & Hale, LLP.

(57) **CLAIM**

The ornamental design for a electromechanical exercise apparatus, as shown and described.

**DESCRIPTION**

FIG. 1 is a perspective view of the electromechanical exercise apparatus according to the present invention; FIG. 2 is a side view of the electromechanical exercise apparatus according to the present invention; FIG. 3 is a front of the electromechanical exercise apparatus according to the present invention; FIG. 4 is another side view of the electromechanical exercise apparatus according to the present invention; FIG. 5 is a rear view of the electromechanical exercise apparatus according to the present invention; and, FIG. 6 is a top view of the electromechanical exercise apparatus according to the present invention.

**1 Claim, 6 Drawing Sheets**

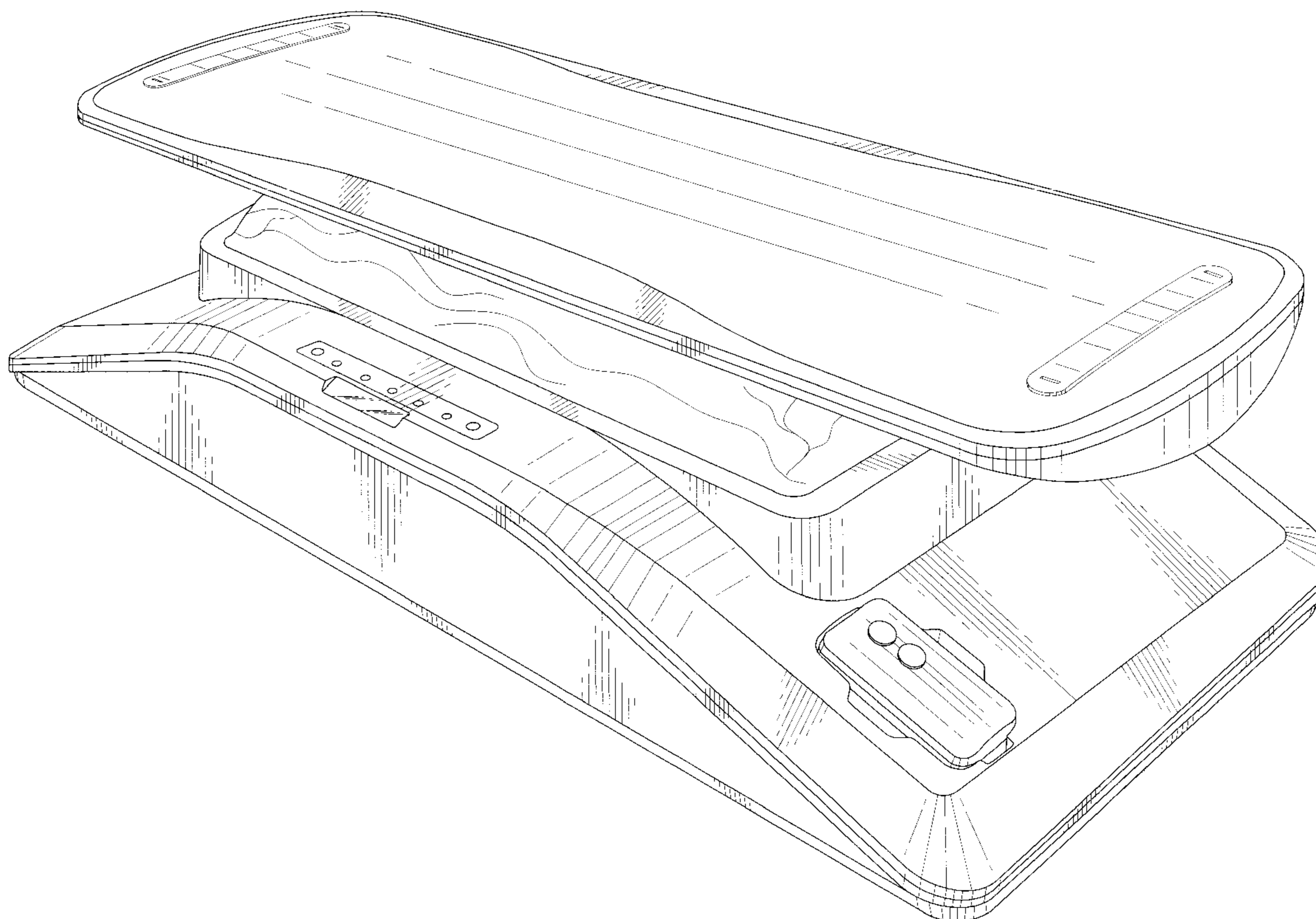


FIG. 1

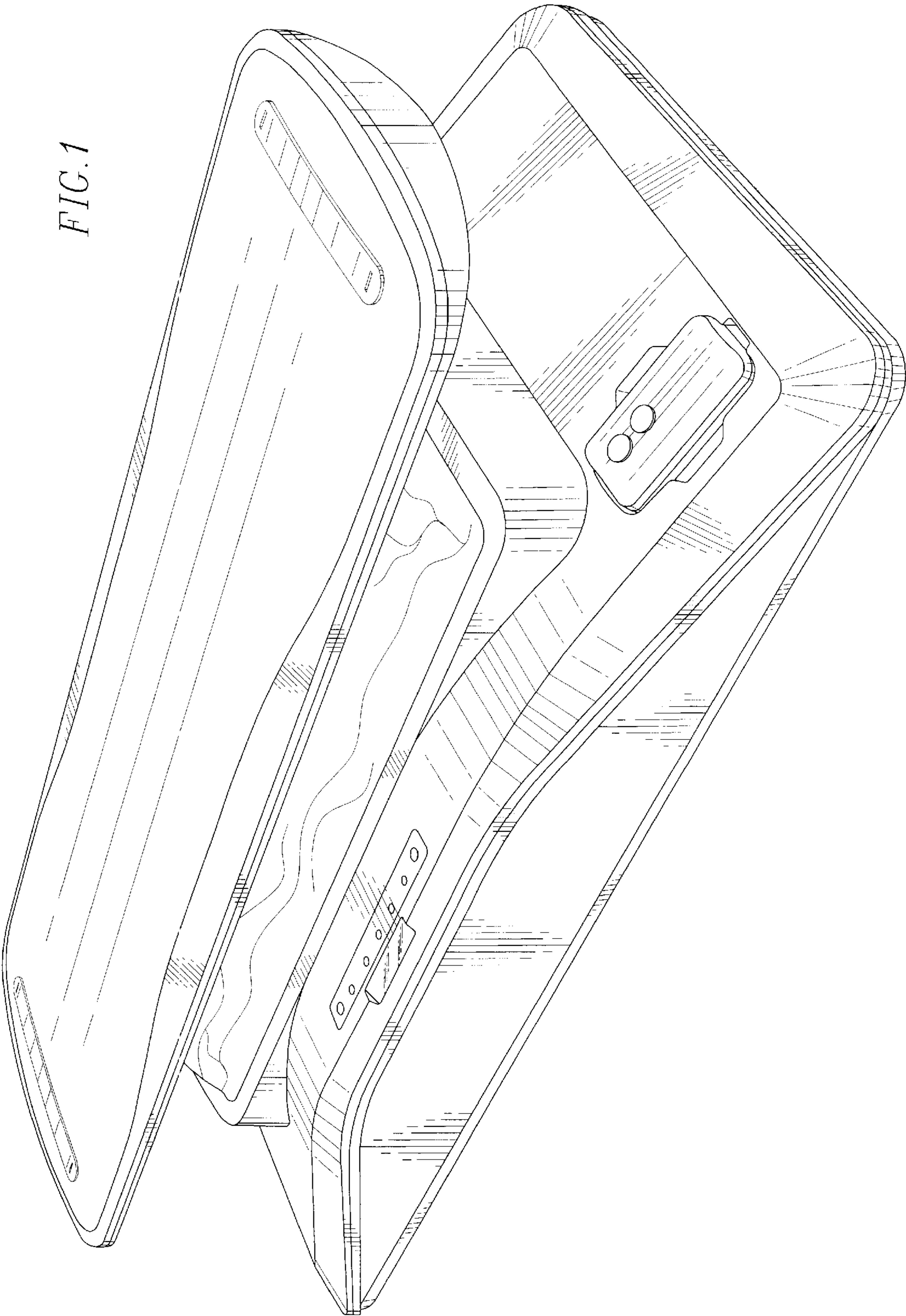


FIG. 2

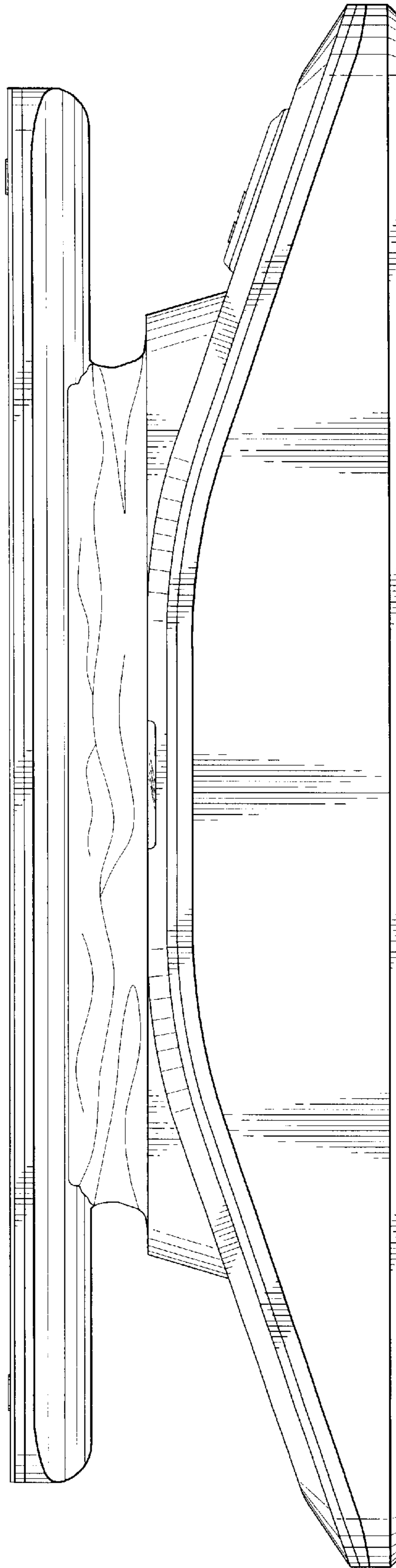


FIG. 3

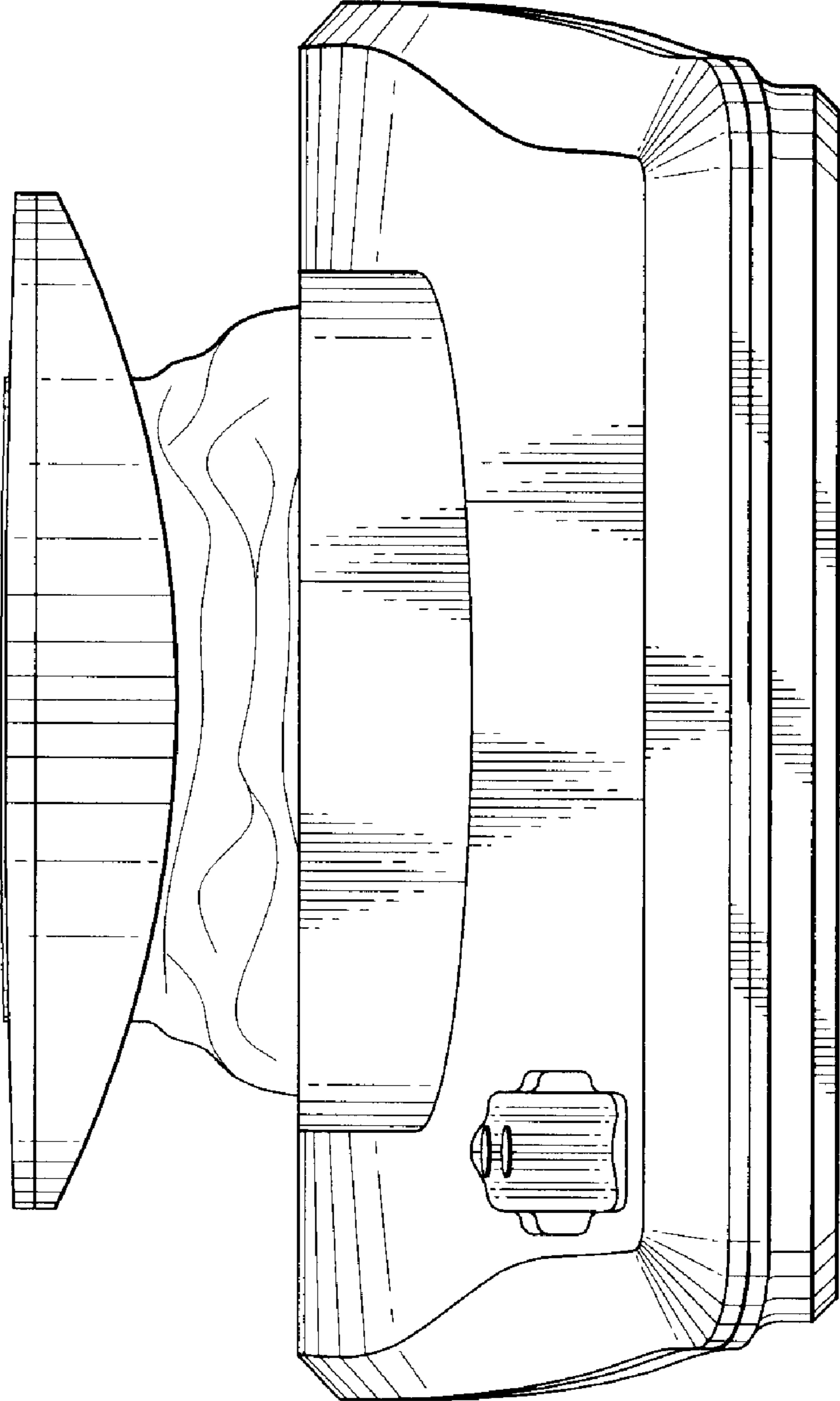




FIG. 4

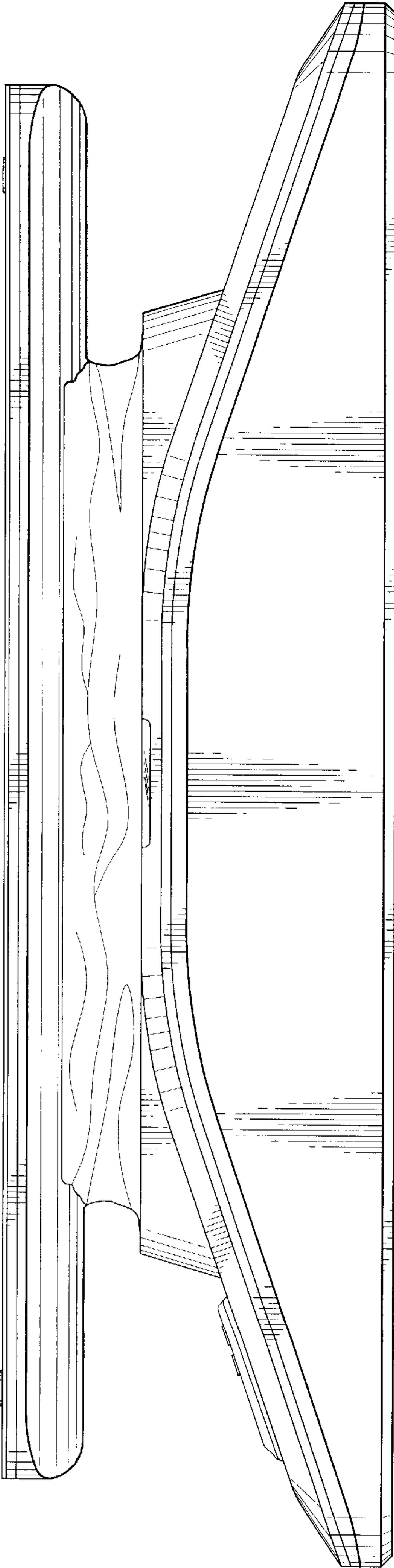


FIG. 5

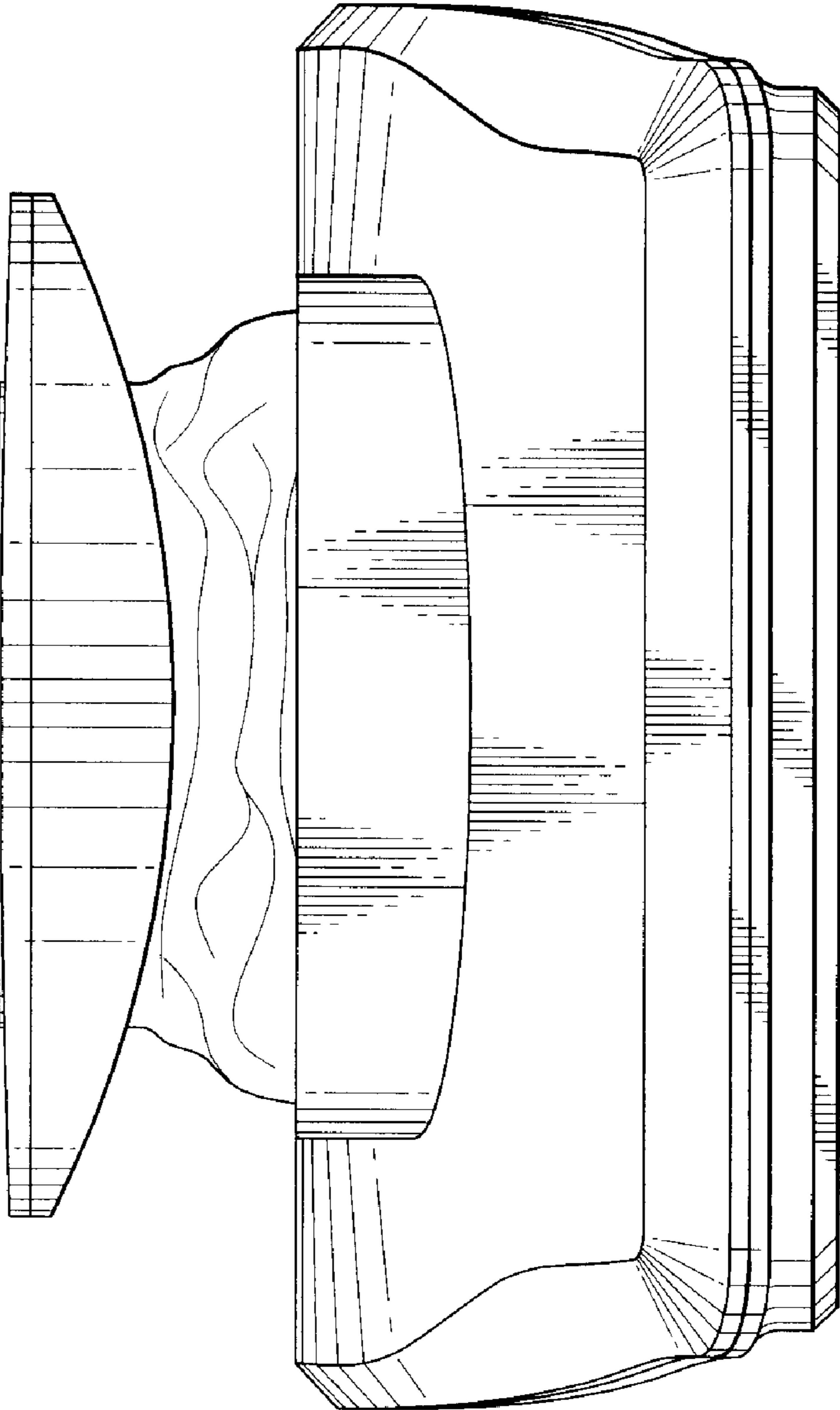


FIG. 6

