

US00D542863S

(12) **United States Design Patent** (10) **Patent No.:** **US D542,863 S**  
**Orr** (45) **Date of Patent:** **\*\* May 15, 2007**

(54) **REARWARD ANGLED PAINTBALL MARKER RECEIVER**

(76) Inventor: **Jeffrey G. Orr**, 3779 Trinity Cir.,  
Corona, CA (US) 92881

(\*\*) Term: **14 Years**

(21) Appl. No.: **29/221,969**

(22) Filed: **Jan. 24, 2005**

(51) **LOC (8) Cl.** ..... **21-01**

(52) **U.S. Cl.** ..... **D21/573**

(58) **Field of Classification Search** ..... D21/570-574;  
D22/100, 101, 103, 108, 109; 124/32, 41.1,  
124/45, 49, 51.1, 56, 70-74, 77

See application file for complete search history.

(56) **References Cited**

U.S. PATENT DOCUMENTS

1,743,576 A	1/1930	Smith	124/72
2,453,683 A	11/1948	Caldow	42/70
2,550,887 A	5/1951	Tratsch	124/1
2,568,432 A	9/1951	Cook	124/13
2,834,332 A	5/1958	Guthrie	124/13
3,089,476 A	5/1963	Wolverton	124/11
3,273,553 A	9/1966	Doyle	124/3
3,374,708 A	3/1968	Wall et al.	89/1
3,494,344 A	2/1970	Vadas et al.	124/11
3,695,246 A	10/1972	Filippi et al.	124/11
3,818,887 A	6/1974	Akiyama et al.	124/15
4,066,000 A	1/1978	Rostocil	89/198
4,133,128 A	1/1979	Brush	42/70 R
4,207,799 A	6/1980	Tocco	89/196
4,282,795 A	8/1981	Beretta	89/148
4,362,145 A	12/1982	Stelcher	124/32
4,589,327 A	5/1986	Smith	89/148
4,602,608 A	7/1986	Lacam et al.	124/74
4,679,487 A	7/1987	Houseman	89/140
4,694,815 A	9/1987	Hung	124/27
4,770,153 A	9/1988	Edelman	124/72
4,819,609 A	4/1989	Tippmann	124/72
4,899,717 A	2/1990	Rutten et al.	124/67
4,936,282 A	6/1990	Dobbins et al.	124/74
5,063,905 A	11/1991	Farrell	124/72

5,068,990 A	12/1991	Marzocco	42/70.04
5,078,118 A	1/1992	Perrone	124/74
5,149,898 A	9/1992	Chesnut et al.	42/69.01
5,228,427 A	7/1993	Gardner, Jr.	124/71
5,251,533 A	10/1993	Layton	89/142
5,261,384 A	11/1993	Hu	124/66
5,280,778 A	1/1994	Kotsiopoulos	124/73
5,282,454 A	2/1994	Bell et al.	124/49
5,293,708 A	3/1994	Strayer et al.	42/75.03
5,349,939 A	9/1994	Perrone	124/76
5,363,834 A	11/1994	Stuchlik	124/76
5,370,105 A	12/1994	Firman	124/56
5,413,083 A	5/1995	Jones	124/32
5,462,042 A	10/1995	Grenwell	124/76
D366,514 S	1/1996	Hochstrate et al.	D22/108
5,503,137 A	4/1996	Fusco	124/72
5,596,162 A	1/1997	Burns	89/128
5,613,483 A	3/1997	Lukas et al.	124/73
5,634,456 A	6/1997	Perrone	124/76
5,635,663 A	6/1997	Krieger et al.	89/142
5,736,720 A	4/1998	Bell et al.	235/1
5,755,213 A	5/1998	Gardner, Jr. et al.	124/73
5,760,328 A	6/1998	Robbins	89/129.02
5,799,434 A	9/1998	Krieger et al.	42/69.03
5,816,232 A	10/1998	Bell	124/51.1

(Continued)

*Primary Examiner*—Holly H. Baynham  
*Assistant Examiner*—Cynthia M. Chin  
(74) *Attorney, Agent, or Firm*—Keisling Pieper & Scott  
PLC; David B. Pieper; Trent C. Keisling

(57) **CLAIM**

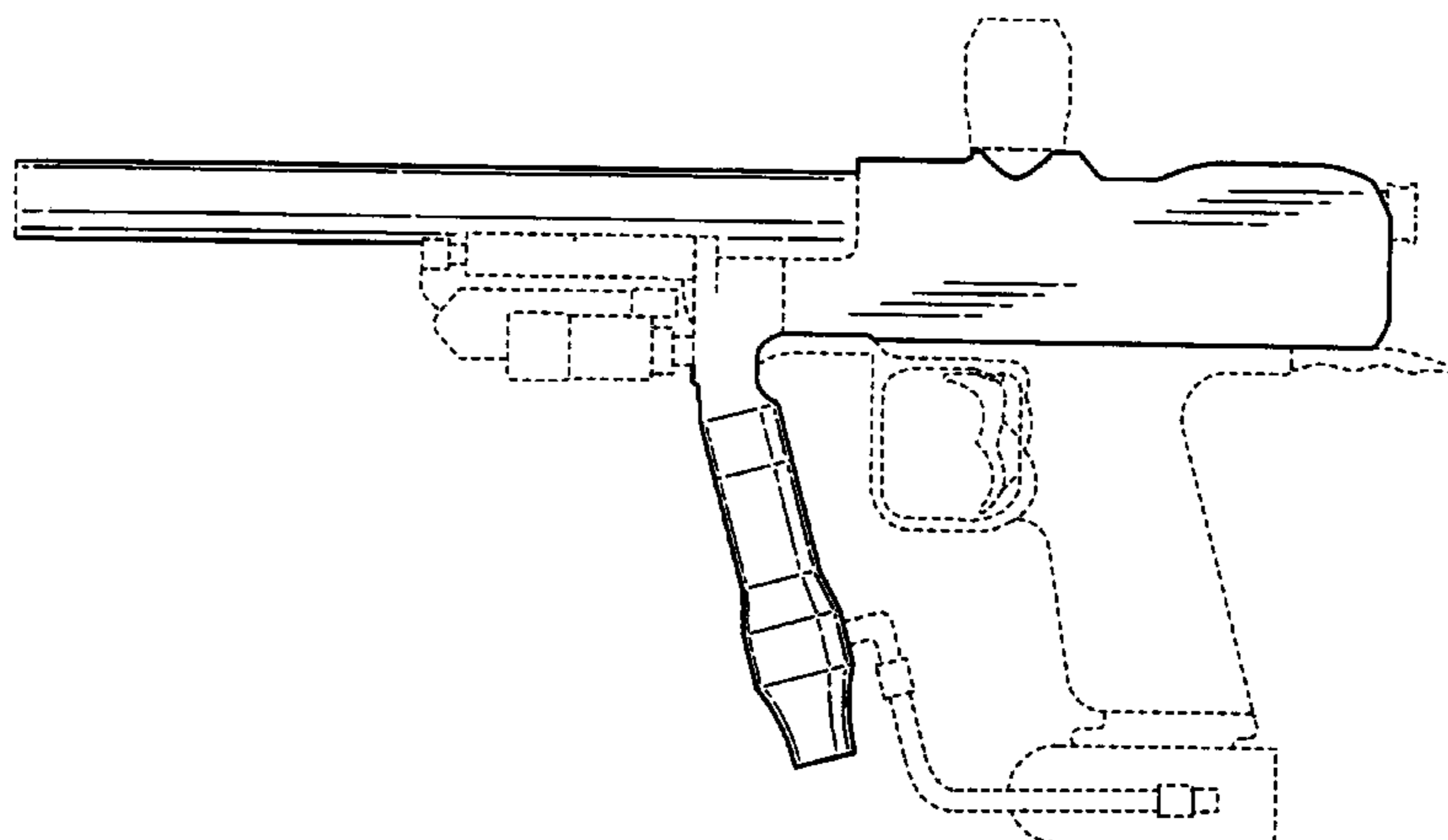
The ornamental design for a rearward angled paintball marker receiver, as shown and described.

**DESCRIPTION**

FIG. 1 is a distal left side elevational view of a rearward angled paintball marker receiver showing my new design; FIG. 2 is a distal right side elevational view thereof; and, FIG. 3 is a bottom elevational view thereof.

The broken lines in the drawings are for illustrative purposes only and form no part of the claimed design.

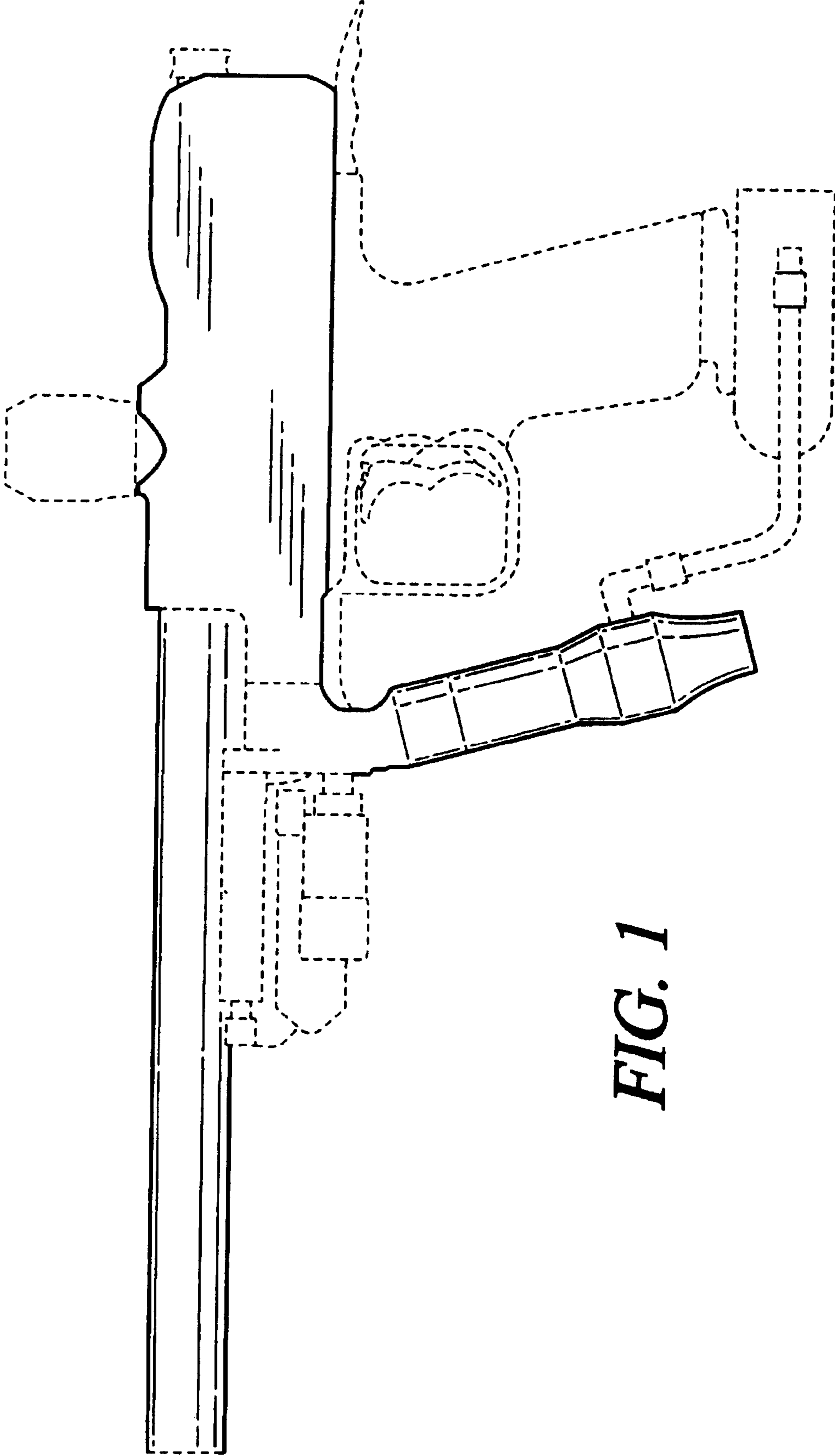
**1 Claim, 3 Drawing Sheets**



U.S. PATENT DOCUMENTS

5,878,736 A	3/1999	Lotuaco, III	124/71	6,550,468 B1	4/2003	Tippmann, Jr.	124/71
5,881,707 A	3/1999	Gardner, Jr.	124/77	6,553,983 B1	4/2003	Li	124/73
5,890,479 A	4/1999	Morin	124/31	6,578,566 B2	6/2003	Hernandez	124/73
5,913,303 A	6/1999	Kotsiopoulos	124/31	6,590,386 B1	7/2003	Williams	324/178
5,950,611 A *	9/1999	Lopez et al.	124/72	6,626,165 B1	9/2003	Bhogal	124/77
5,957,119 A	9/1999	Perry et al.	124/73	6,629,379 B1	10/2003	Doiron	42/70.11
5,967,133 A	10/1999	Gardner, Jr.	124/77	6,637,421 B2	10/2003	Smith et al.	124/77
6,003,504 A	12/1999	Rice et al.	124/73	6,644,295 B2	11/2003	Jones	124/77
6,035,843 A	3/2000	Smith et al.	124/77	6,644,296 B2	11/2003	Gardner, Jr.	124/77
6,048,280 A	4/2000	Palmer et al.	473/416	6,658,982 B2	12/2003	Cherry	89/1.42
6,055,975 A	5/2000	Gallagher et al.	124/50	D484,926 S	1/2004	Rice et al.	D21/573
6,065,460 A	5/2000	Lotuaco, III	124/72	6,694,963 B1	2/2004	Taylor	124/32
6,138,656 A	10/2000	Rice et al.	124/73	6,705,036 B2	3/2004	Orr	42/69.01
6,142,137 A	11/2000	MacLaughlin	124/72	6,739,322 B2	5/2004	Rice et al.	124/49
6,223,460 B1	5/2001	Schmitter et al.	42/70.06	6,763,822 B1	7/2004	Styles	124/77
6,260,821 B1	7/2001	Perry et al.	251/314	6,802,306 B1	10/2004	Rice	124/74
6,349,711 B1	2/2002	Perry et al.	124/73	2003/0131514 A1	7/2003	Rice et al.	42/69.01
6,439,217 B1	8/2002	Shih	124/77	2003/0154968 A1	8/2003	Rice et al.	124/71
6,474,326 B1	11/2002	Smith et al.	124/77	2003/0178018 A1	9/2003	Cherry	124/76
6,494,194 B2	12/2002	Shipachev et al.	124/73	2003/0221684 A1	12/2003	Rice	124/71
6,494,195 B2	12/2002	Perry et al.	124/84	2004/0011344 A1	1/2004	Rice et al.	124/73
6,532,949 B1	3/2003	McKendrick	124/77	2004/0074489 A1	4/2004	Neumaster et al.	124/79
D473,910 S	4/2003	Rice et al.	D22/108	2005/0115550 A1 *	6/2005	Jones	124/65

\* cited by examiner



**FIG. 1**

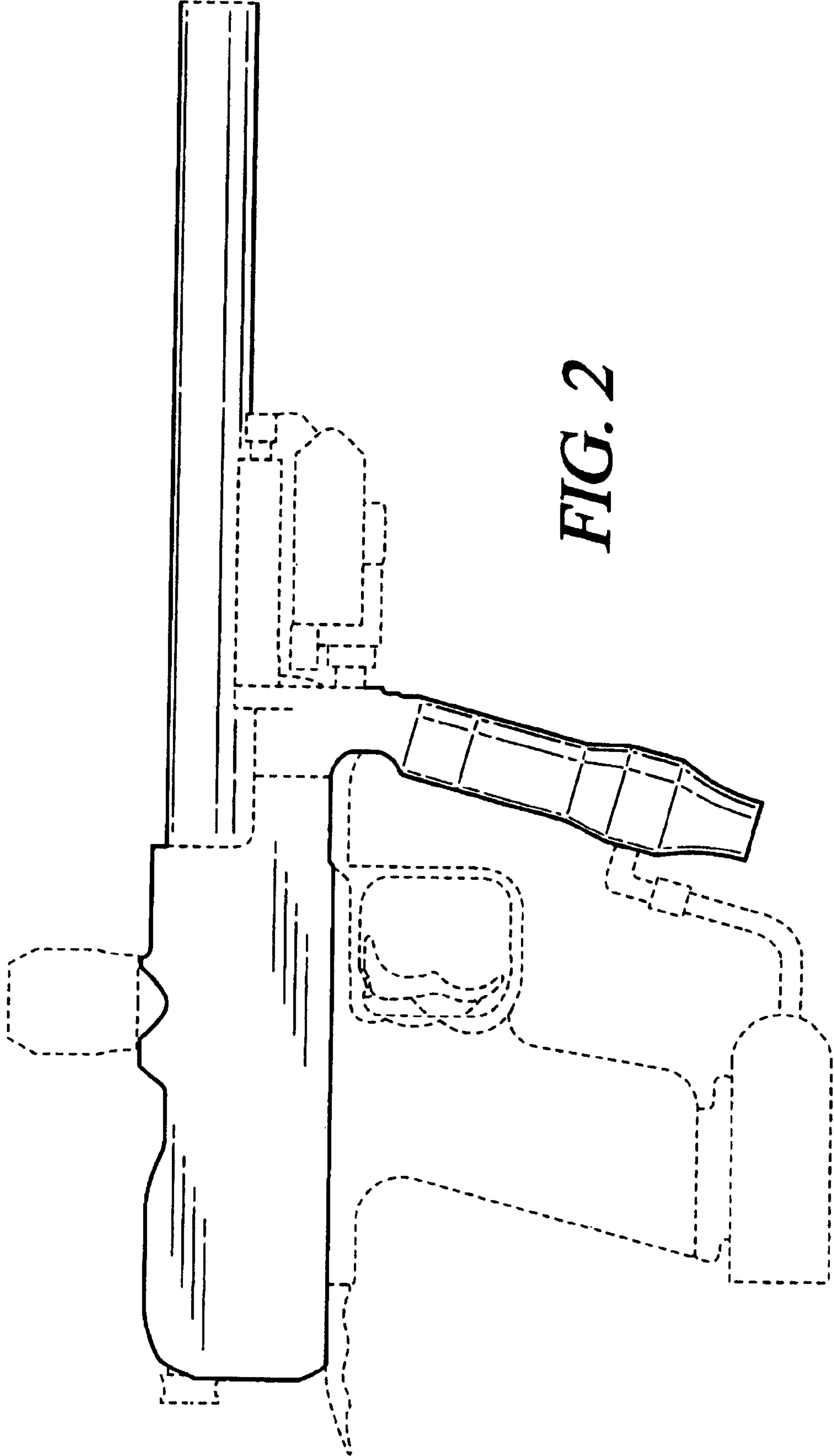
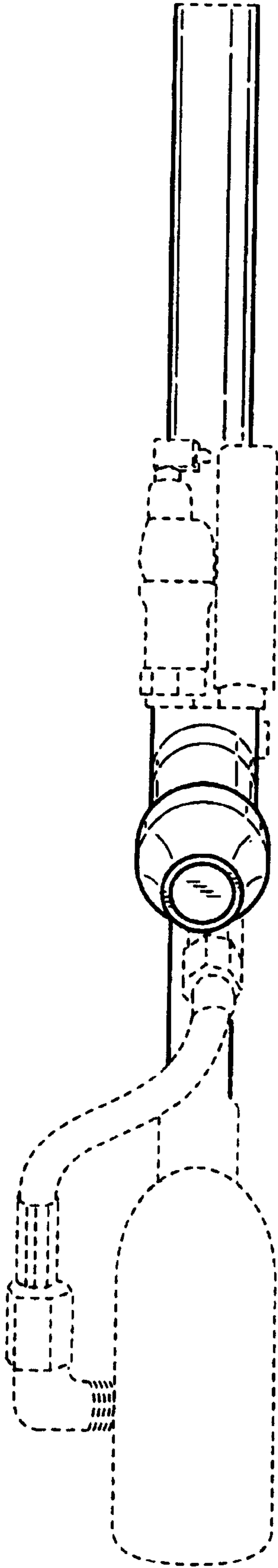


FIG. 2



**FIG. 3**