



US00D542860S

(12) **United States Design Patent**
Davis

(10) **Patent No.:** **US D542,860 S**

(45) **Date of Patent:** **** May 15, 2007**

(54) **BINGO CARD HOLDER**

(76) Inventor: **Glenn H. Davis**, 439 Cochise St., West
Melbourne, FL (US) 32904

(**) Term: **14 Years**

(21) Appl. No.: **29/237,591**

(22) Filed: **Sep. 2, 2005**

(51) **LOC (8) Cl.** **21-01**

(52) **U.S. Cl.** **D21/392**

(58) **Field of Classification Search** D19/90-92;
D21/385, 392-396; 273/150, 151, 148 A,
273/269-270; D10/70-73

See application file for complete search history.

(56) **References Cited**

U.S. PATENT DOCUMENTS

1,629,070 A *	5/1927	Cox	273/150
2,598,890 A *	6/1952	Cisi et al.	40/618
2,742,292 A *	4/1956	McDonough	273/150
3,792,511 A *	2/1974	Evans	33/458
3,811,680 A	5/1974	Benesch	
D242,056 S *	10/1976	Card	D21/392
4,291,882 A	9/1981	Del Monte	
D262,727 S *	1/1982	Snyder	D21/392
D271,895 S *	12/1983	Runions	D21/392

4,453,714 A *	6/1984	Houser	273/148 A
4,468,032 A	8/1984	Stewart	
5,286,025 A	2/1994	Mulyca	
D347,451 S *	5/1994	Kazakowitz	D21/392
D349,925 S *	8/1994	Charron et al.	D19/90
D352,530 S	11/1994	Gauvreau	
D386,532 S *	11/1997	Bass	D21/392

* cited by examiner

Primary Examiner—Sandra L. Morris

(74) *Attorney, Agent, or Firm*—Lawrence J. Gibney, Jr.

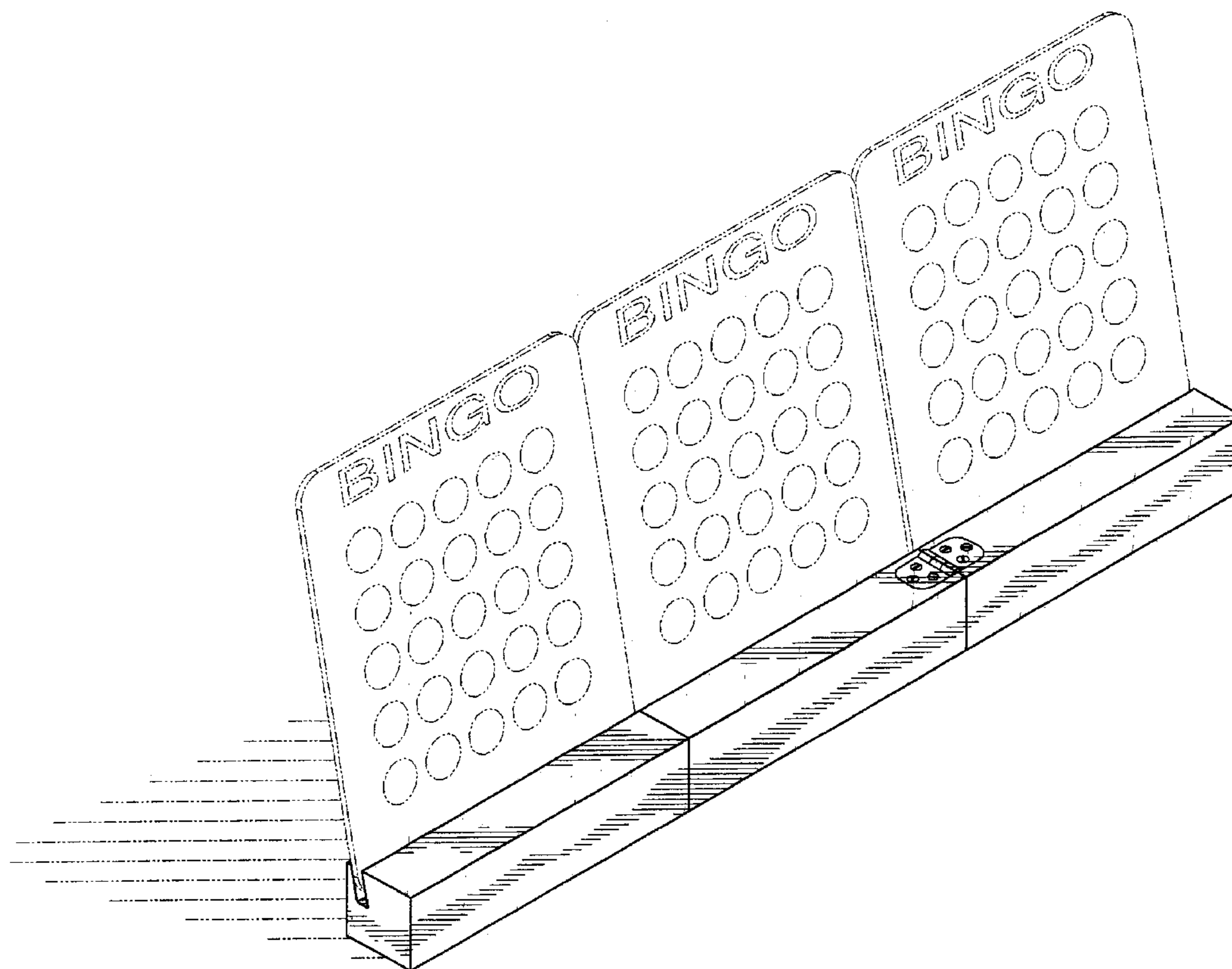
(57) **CLAIM**

The ornamental design for a bingo card holder, as shown and described.

DESCRIPTION

FIG. 1 is a front view of the device.
 FIG. 2 is a top view of the device.
 FIG. 3 is a bottom view of the device.
 FIG. 4 is a side view of the device.
 FIG. 5 is a view of the device in the stowed position.
 FIG. 6 is a view of the device in use; and,
 FIG. 7 is an isometric view of the device partially folded.
 The broken line showing of the bingo cards is for illustrative purposes only, and forms no part of the claimed design.

1 Claim, 2 Drawing Sheets



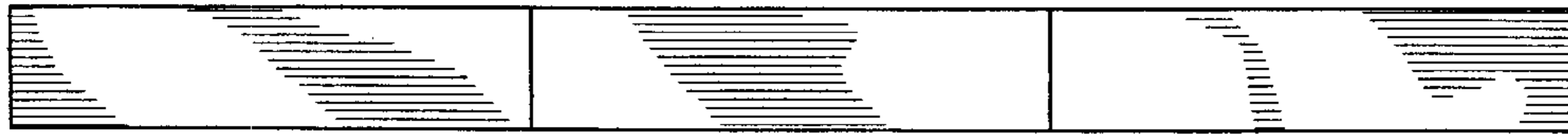


FIG. 1

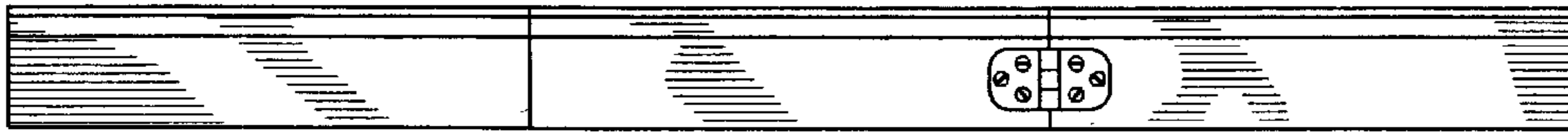


FIG. 2

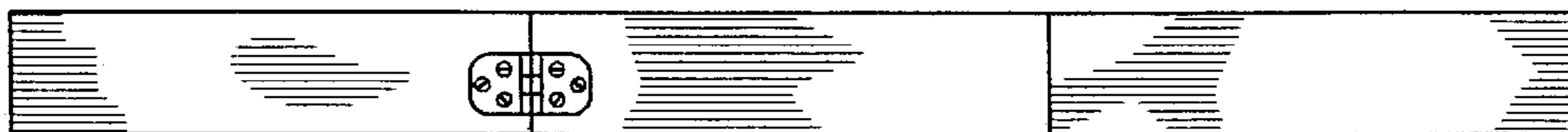


FIG. 3

FIG. 4



