



US00D542847S

(12) **United States Design Patent**
Ono

(10) **Patent No.:** **US D542,847 S**

(45) **Date of Patent:** **** May 15, 2007**

(54) **CARTRIDGE FOR A DAUB FILM TRANSFERRING TOOL**

FOREIGN PATENT DOCUMENTS

JP 1075483 4/2000

(75) Inventor: **Satoru Ono**, Tokorozawa (JP)

OTHER PUBLICATIONS

(73) Assignee: **PLUS Stationery Corporation**, Tokyo (JP)

A Copy of the Taiwanese Patent Office Action for corresponding Taiwanese patent application No. 95301988 dated Feb. 6, 2007, (Citing Reference AF).

(**) Term: **14 Years**

* cited by examiner

(21) Appl. No.: **29/260,591**

Primary Examiner—Cathron C. Brooks

(22) Filed: **May 30, 2006**

Assistant Examiner—Austin Murphy

(30) **Foreign Application Priority Data**

(74) *Attorney, Agent, or Firm*—Armstrong, Kratz, Quintos, Hanson & Brooks, LLP

Apr. 13, 2006 (JP) 2006-009555

(51) **LOC (8) Cl.** **19-02**

(52) **U.S. Cl.** **D19/69**

(58) **Field of Classification Search** D19/66,
D19/67, 68, 69, 70; 156/523, 257, 540, 577;
206/411; 225/6, 25, 39, 77; 242/588, 588.1,
242/588.2, 588.3, 588.6, 598.5

See application file for complete search history.

(57) **CLAIM**

The ornamental design for a cartridge for a daub film transferring tool, as shown and described.

DESCRIPTION

FIG. 1 is a front view of the cartridge of a daub film transferring tool of the present invention;
FIG. 2 is a back view thereof;
FIG. 3 is a left side view thereof;
FIG. 4 is a right side view thereof;
FIG. 5 is a plan view thereof;
FIG. 6 is a perspective view from the front side thereof;
FIG. 7 is a perspective view from the back side thereof; and,
FIG. 8 is a I-I cross-sectional view thereof.

(56) **References Cited**

U.S. PATENT DOCUMENTS

- D475,747 S * 6/2003 Ono D19/69
- 7,059,374 B2 * 6/2006 Mitsui et al. 156/523
- 2003/0062135 A1 * 4/2003 Takahashi 156/577
- 2005/0139326 A1 * 6/2005 Mitsui et al. 156/540
- 2005/0150605 A1 * 7/2005 Mitsui et al. 156/540
- 2005/0155717 A1 * 7/2005 Mitsui et al. 156/577

1 Claim, 3 Drawing Sheets

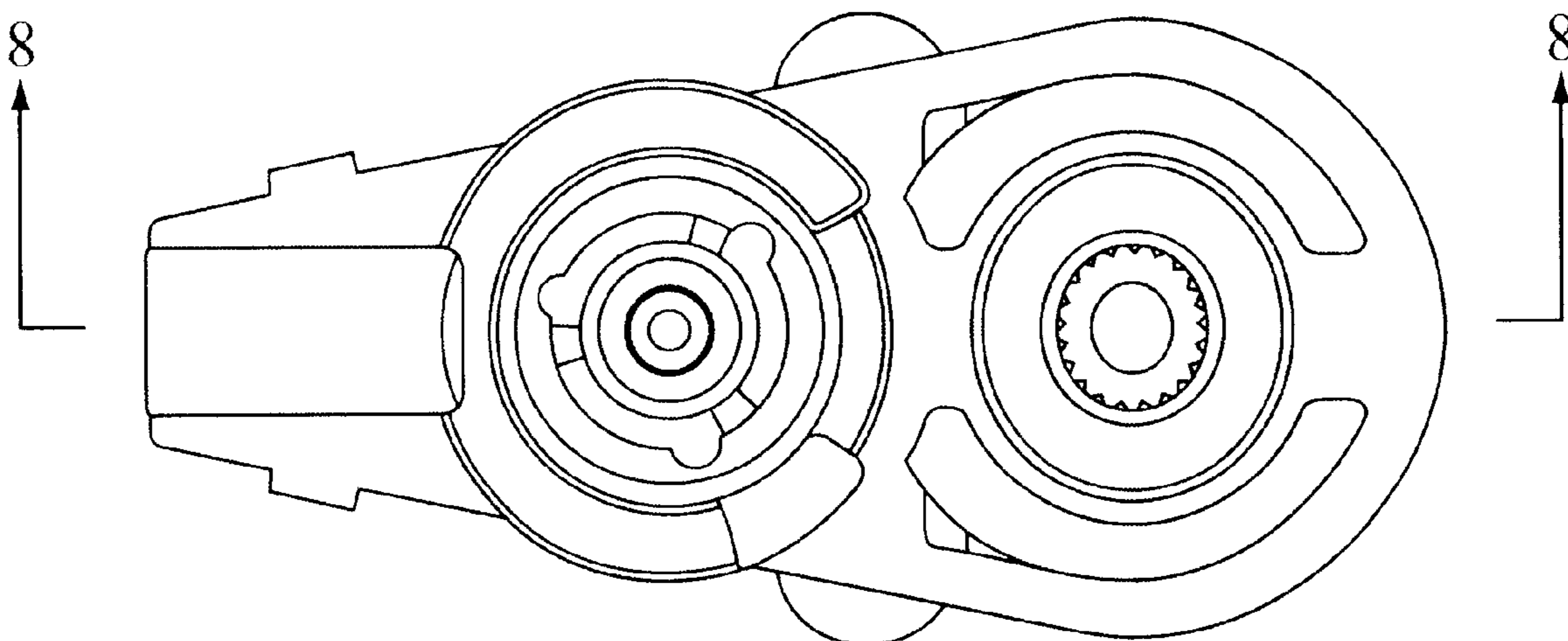


Fig.1

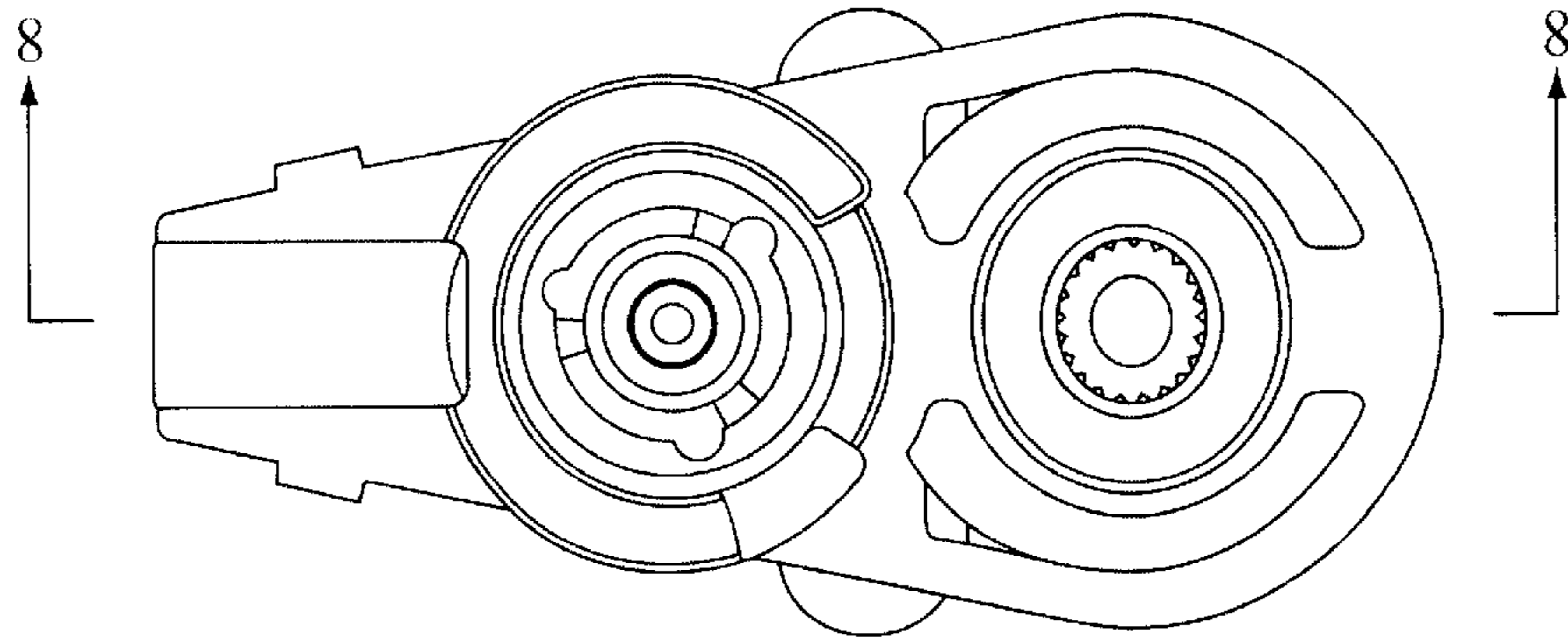


Fig.2

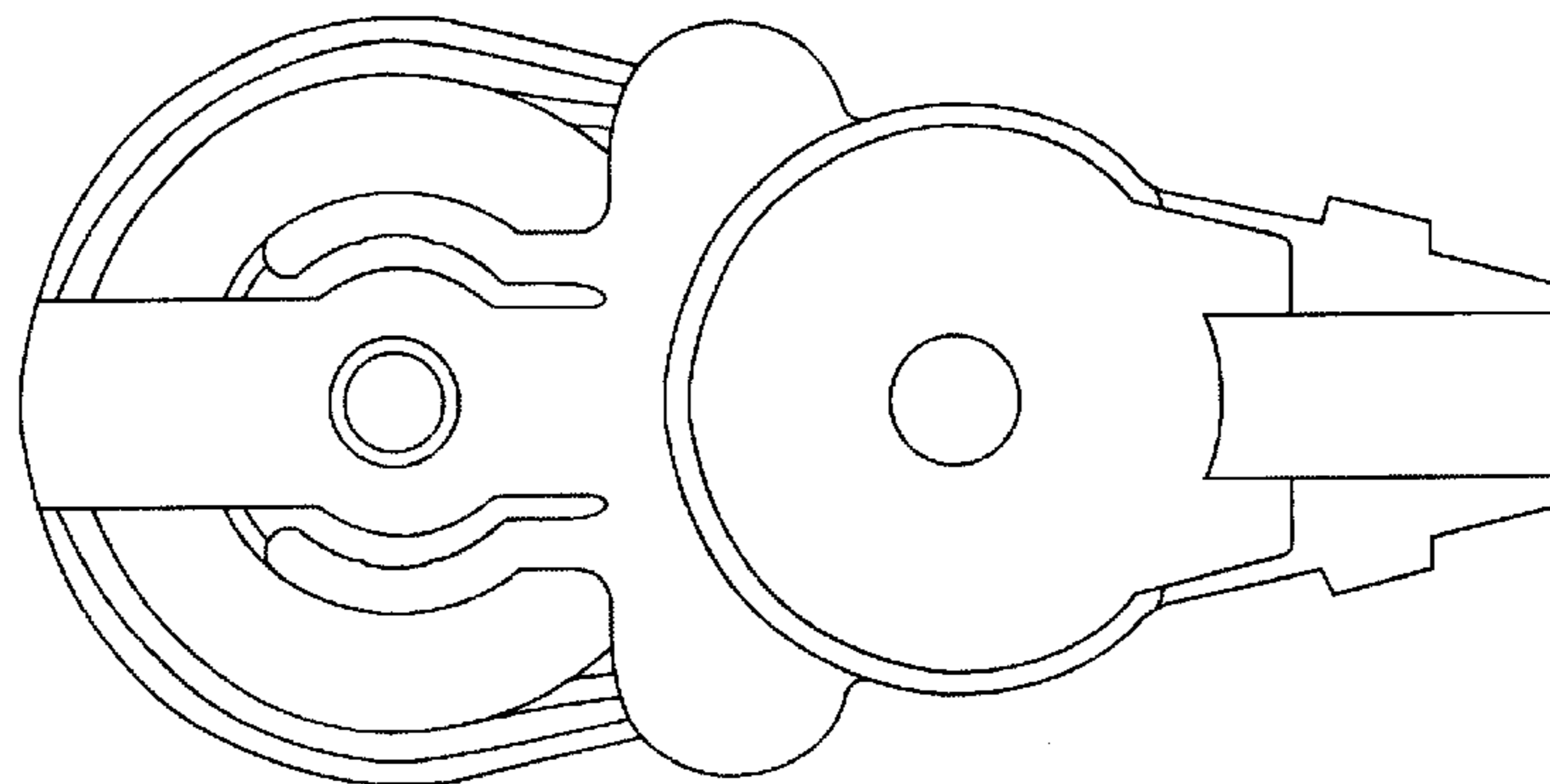


Fig.3

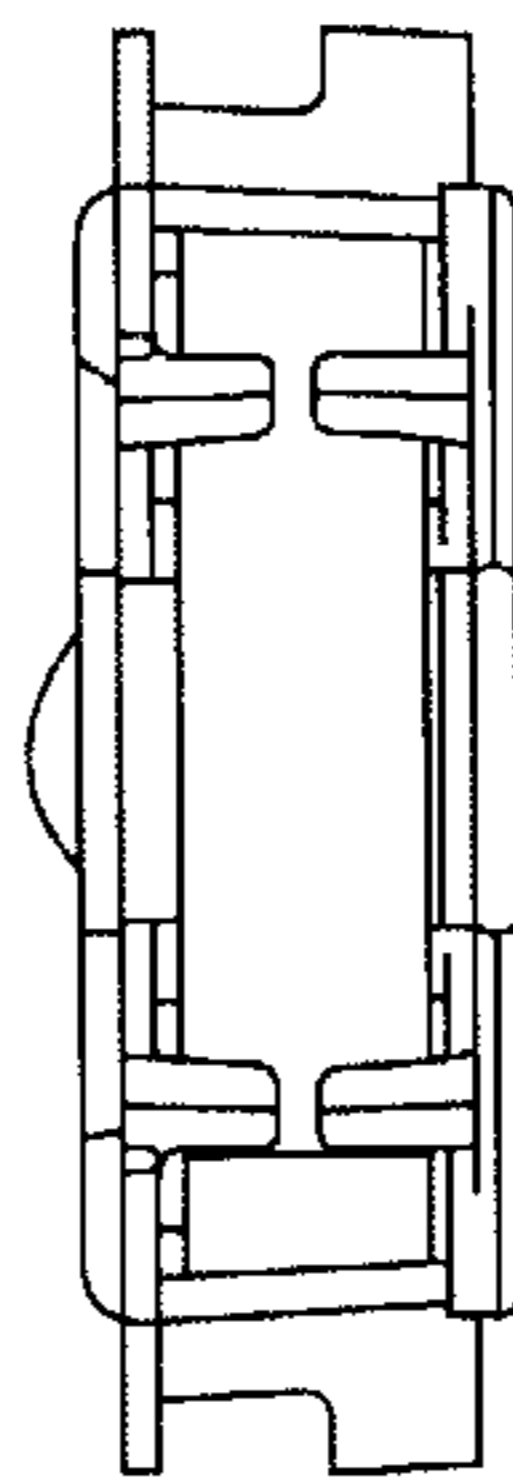


Fig.4

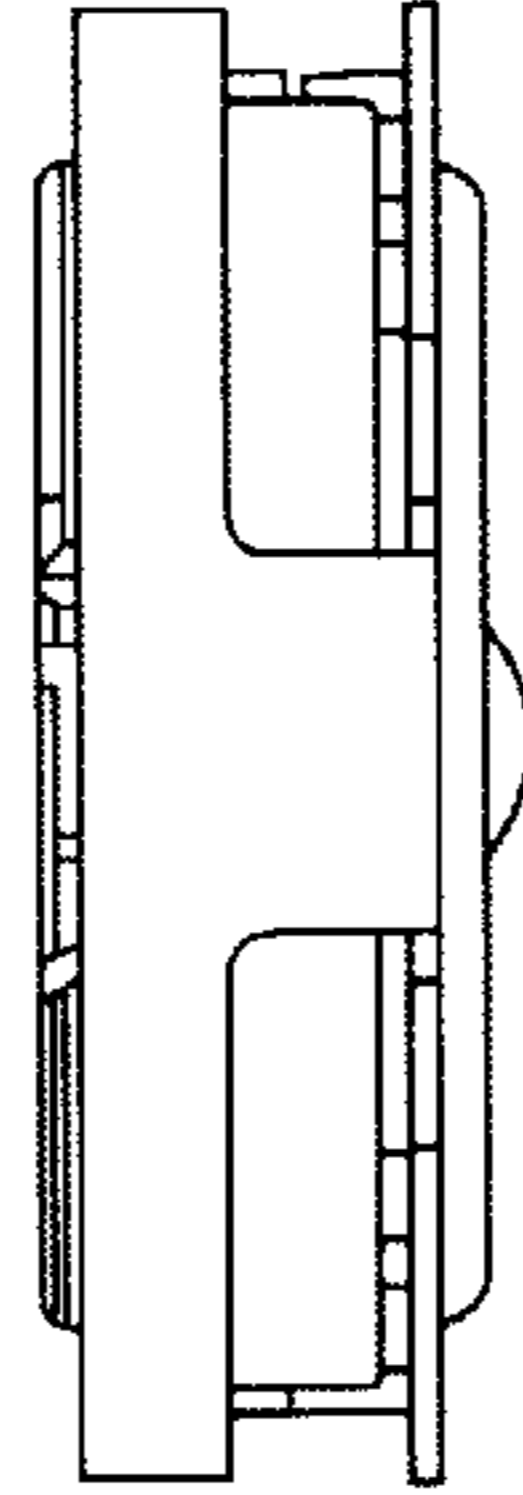


Fig.5

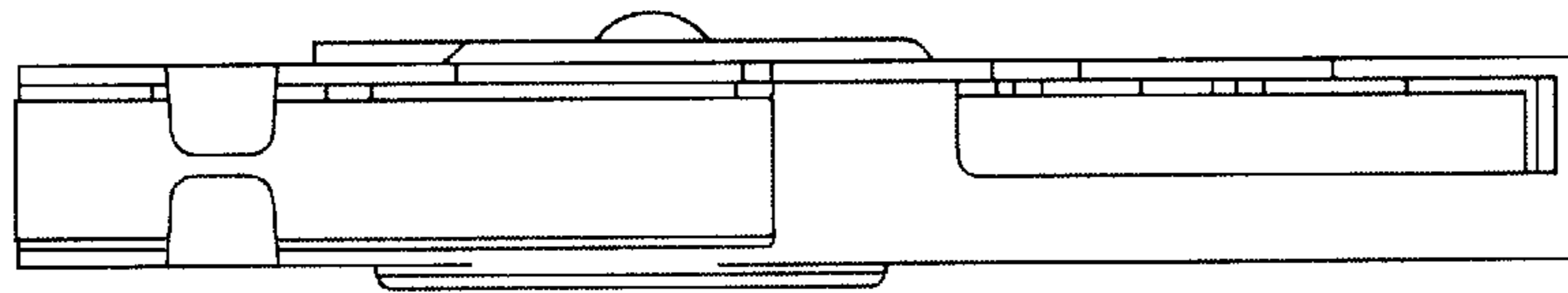


Fig.6

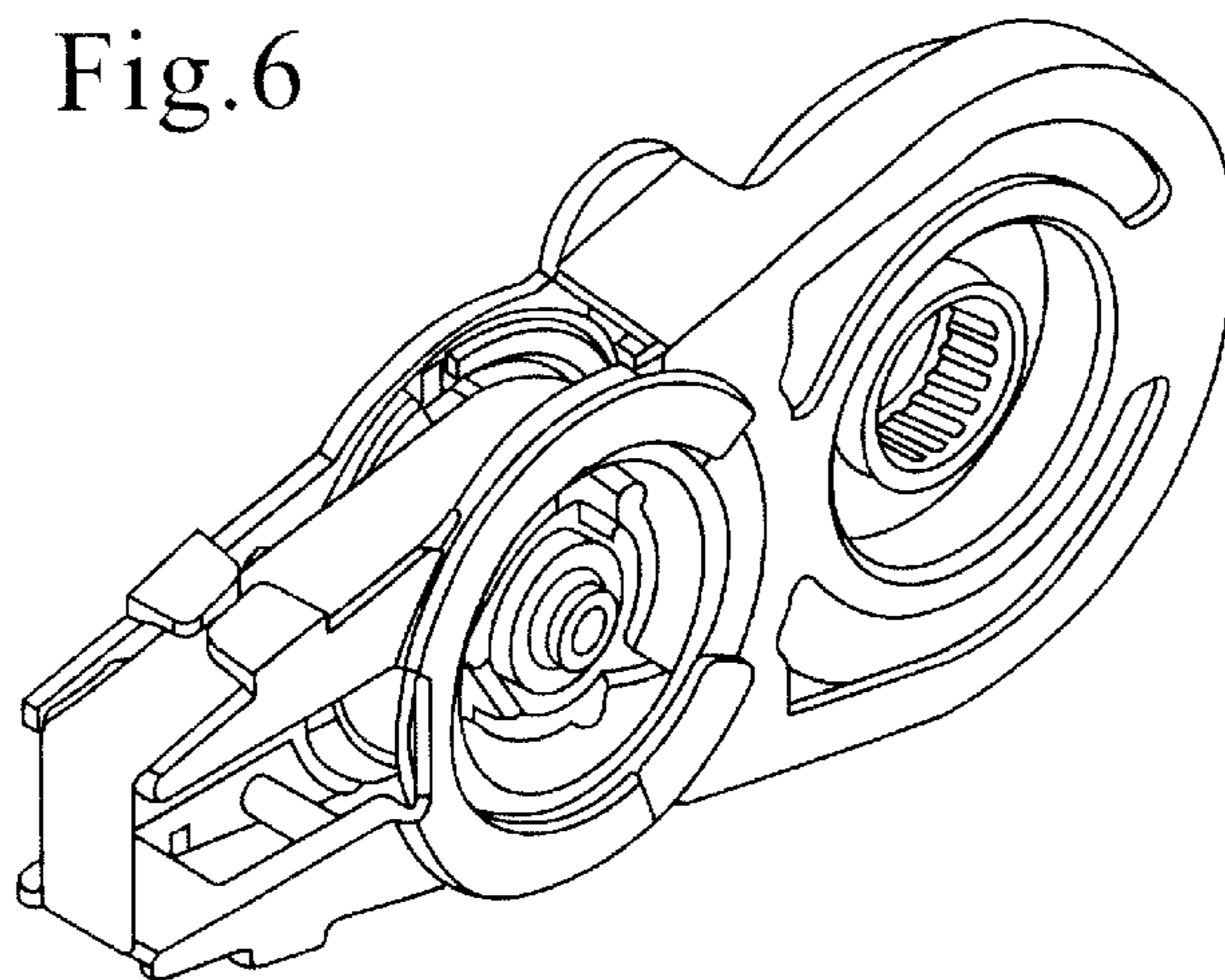


Fig.7

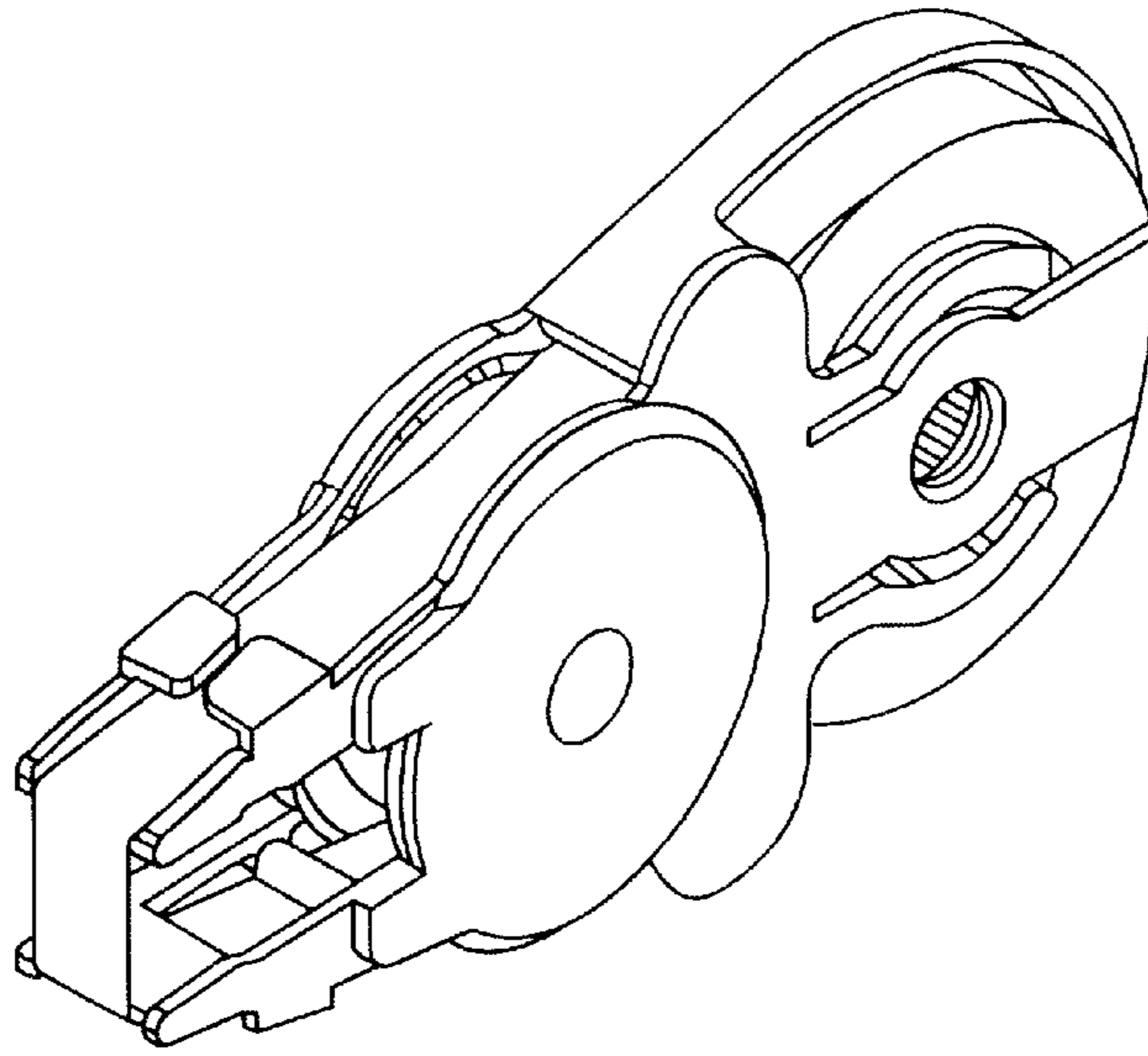


Fig.8

