

US00D542840S

(12) **United States Design Patent**  
**Nakamura et al.**

(10) **Patent No.:** **US D542,840 S**

(45) **Date of Patent:** **\*\* May 15, 2007**

(54) **TAPE CARTRIDGE FOR TAPE PRINTING MACHINE**

(75) Inventors: **Yasunori Nakamura**, Shinshiro (JP);  
**Terumasa Hoshino**, Nagoya (JP);  
**Haruki Matsumoto**, Nagoya (JP)

(73) Assignee: **Brother Industries, Ltd.**, Nagoya (JP)

(\*\*) Term: **14 Years**

(21) Appl. No.: **29/261,660**

(22) Filed: **Jun. 19, 2006**

(30) **Foreign Application Priority Data**

Dec. 21, 2005 (JP) ..... 2005-037650

(51) **LOC (8) Cl.** ..... **18-02**

(52) **U.S. Cl.** ..... **D18/56**

(58) **Field of Classification Search** ..... D18/12,  
D18/40, 43, 56; D14/435, 471, 481, 483-484;  
399/110; 347/178, 214; 400/193, 196, 196.1,  
400/207-208, 208.1, 240.4, 242, 613  
See application file for complete search history.

(56) **References Cited**

**U.S. PATENT DOCUMENTS**

4,408,914 A \* 10/1983 Ciesiel et al. .... 400/208  
D280,212 S \* 8/1985 Bossack et al. .... D18/12  
4,710,045 A \* 12/1987 Lim ..... 400/242  
4,886,385 A \* 12/1989 Cappotto ..... 400/234  
5,141,342 A \* 8/1992 Kawahara ..... 400/207  
D351,410 S \* 10/1994 Raleigh ..... D18/12

5,433,540 A \* 7/1995 Alday ..... 400/207  
6,053,648 A \* 4/2000 Mistyurik ..... 400/693  
6,260,834 B1 \* 7/2001 Colonel et al. .... 267/73  
6,695,500 B2 \* 2/2004 Kim et al. .... 400/613  
D527,420 S \* 8/2006 Okuchi et al. .... D18/56  
7,104,712 B2 \* 9/2006 Sugimoto et al. .... 400/613  
2005/0271441 A1 \* 12/2005 Bouverie et al. .... 400/234

\* cited by examiner

*Primary Examiner*—Cathy Anne MacCormac

(74) *Attorney, Agent, or Firm*—Oliff & Berridge, PLC

(57) **CLAIM**

The ornamental design for a tape cartridge for tape printing machine, as shown and described.

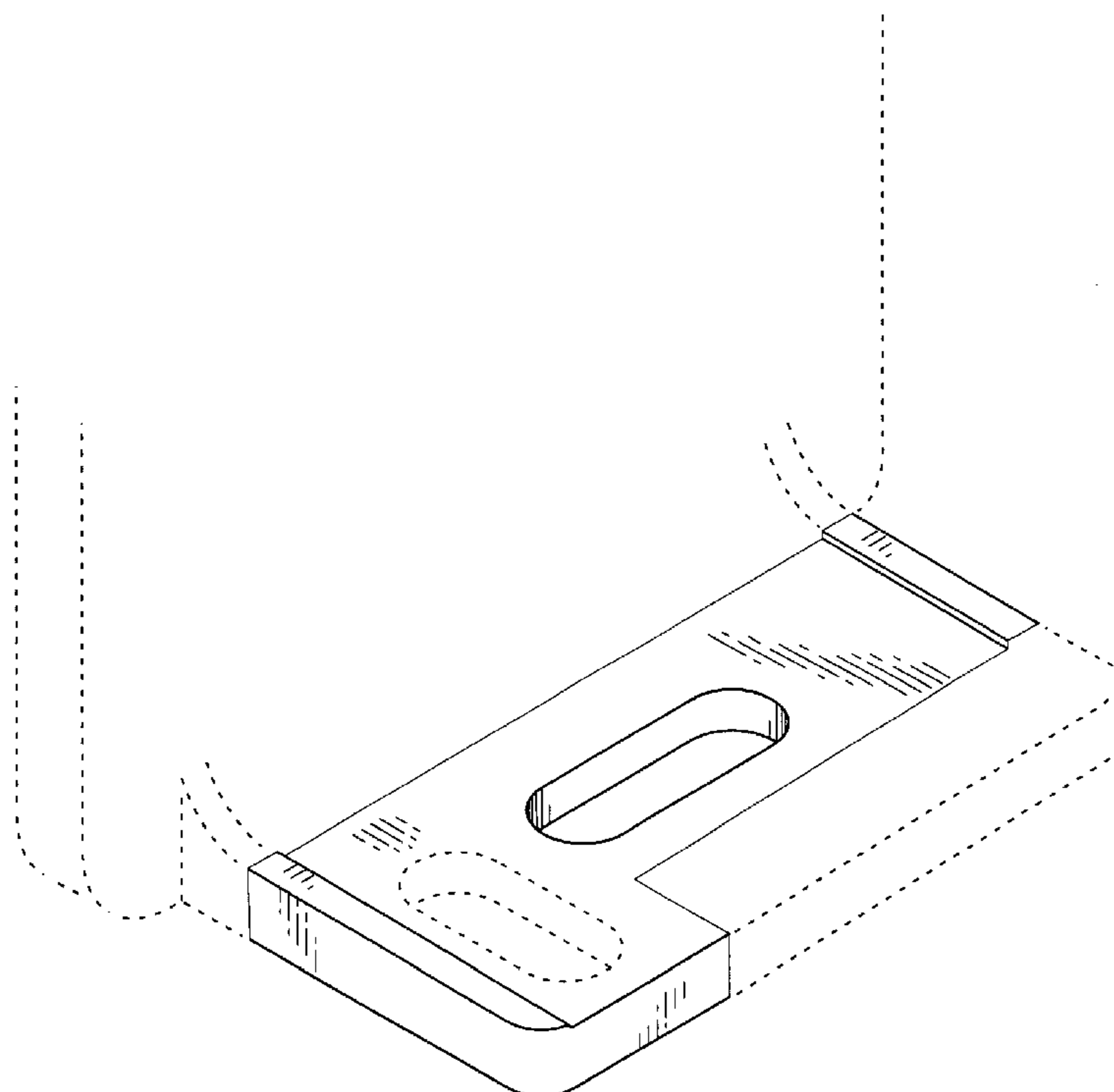
**DESCRIPTION**

FIG. 1 is a perspective view of a tape cartridge for tape printing machine;  
FIG. 2 is an enlarged perspective view thereof;  
FIG. 3 is a front view thereof;  
FIG. 4 is a rear view thereof;  
FIG. 5 is a right-side view thereof;  
FIG. 6 is a bottom view thereof;  
FIG. 7 is a top view thereof; and,  
FIG. 8 is an enlarged cross-sectional view taken along the line 8—8 of FIG. 7.

The broken lines are for illustrative purposes only and do not form part of the claimed design.

The dash-dot-dash line in FIGS. 5 and 7 illustrates a portion of the tape cartridge for the purpose of revealing the claimed design.

**1 Claim, 6 Drawing Sheets**



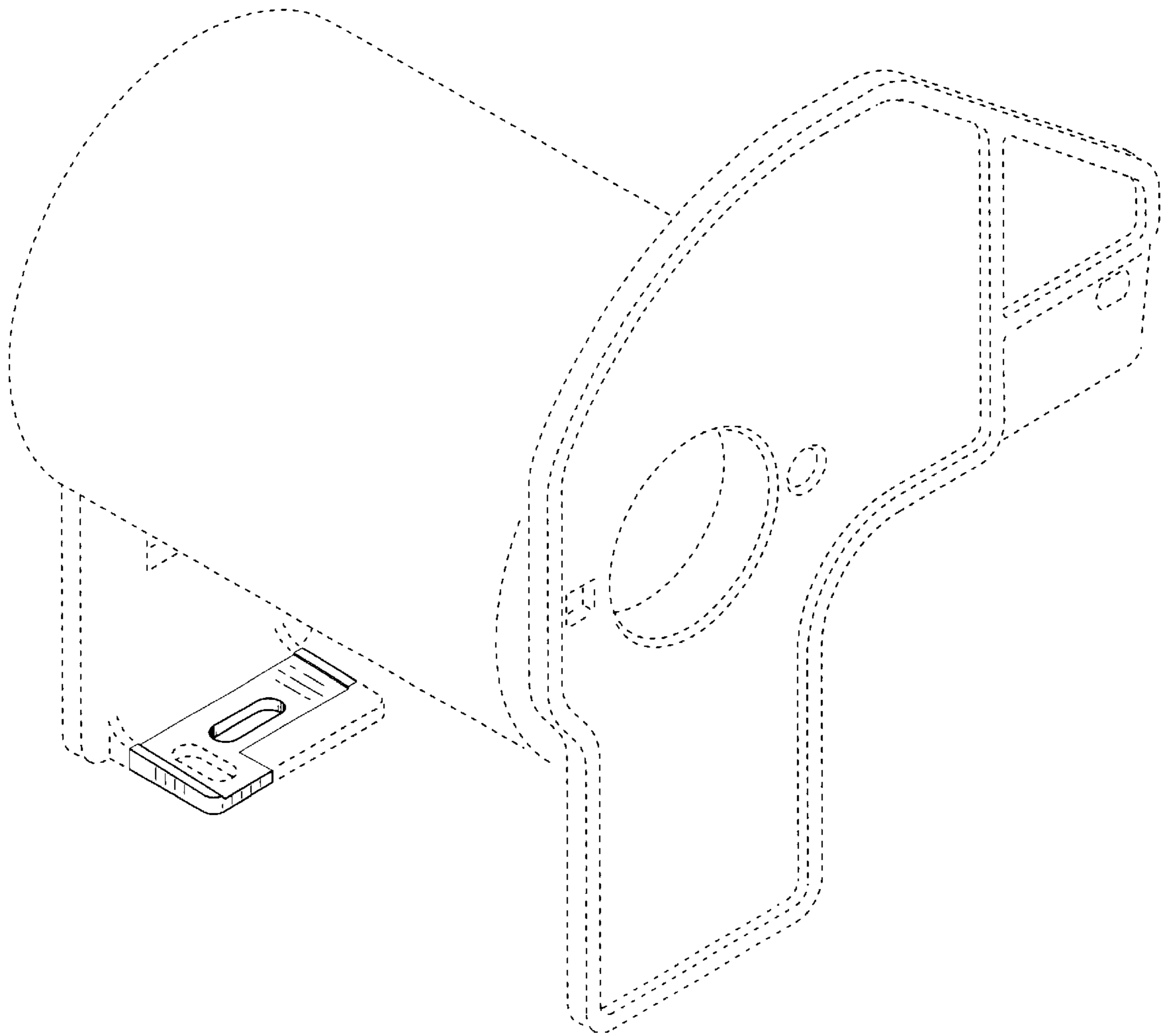


FIG. 1

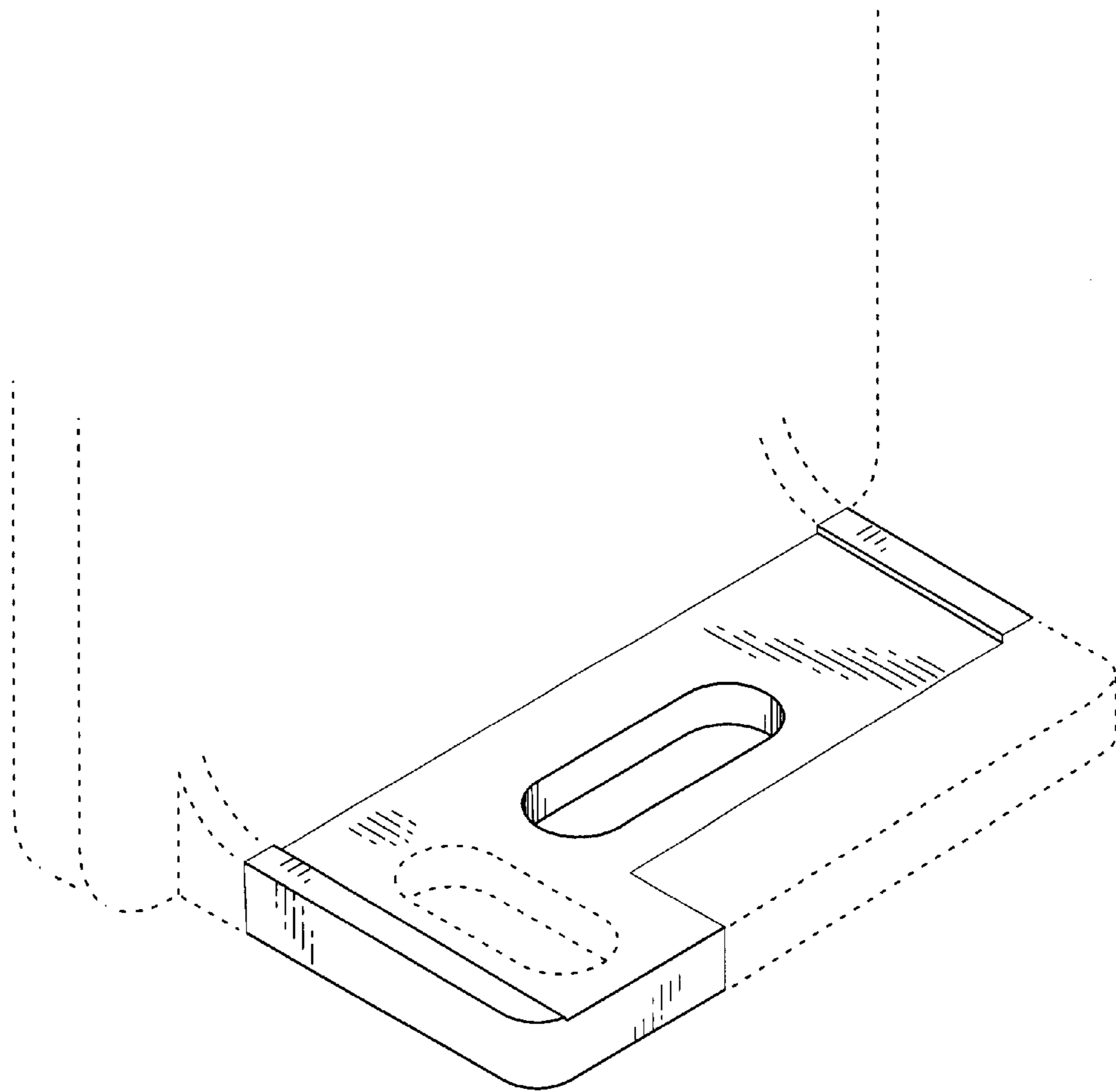


FIG. 2

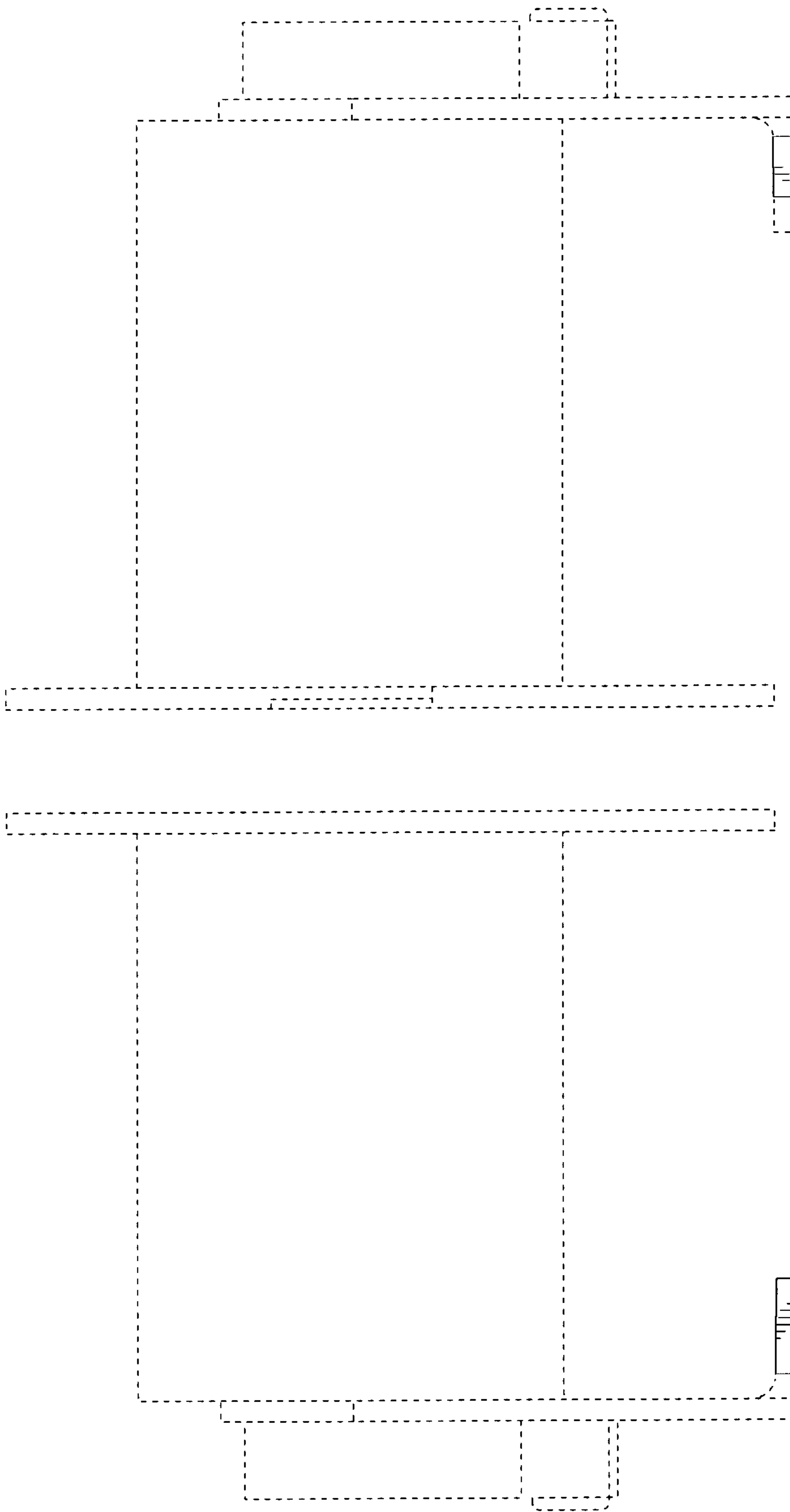


FIG. 4

FIG. 3

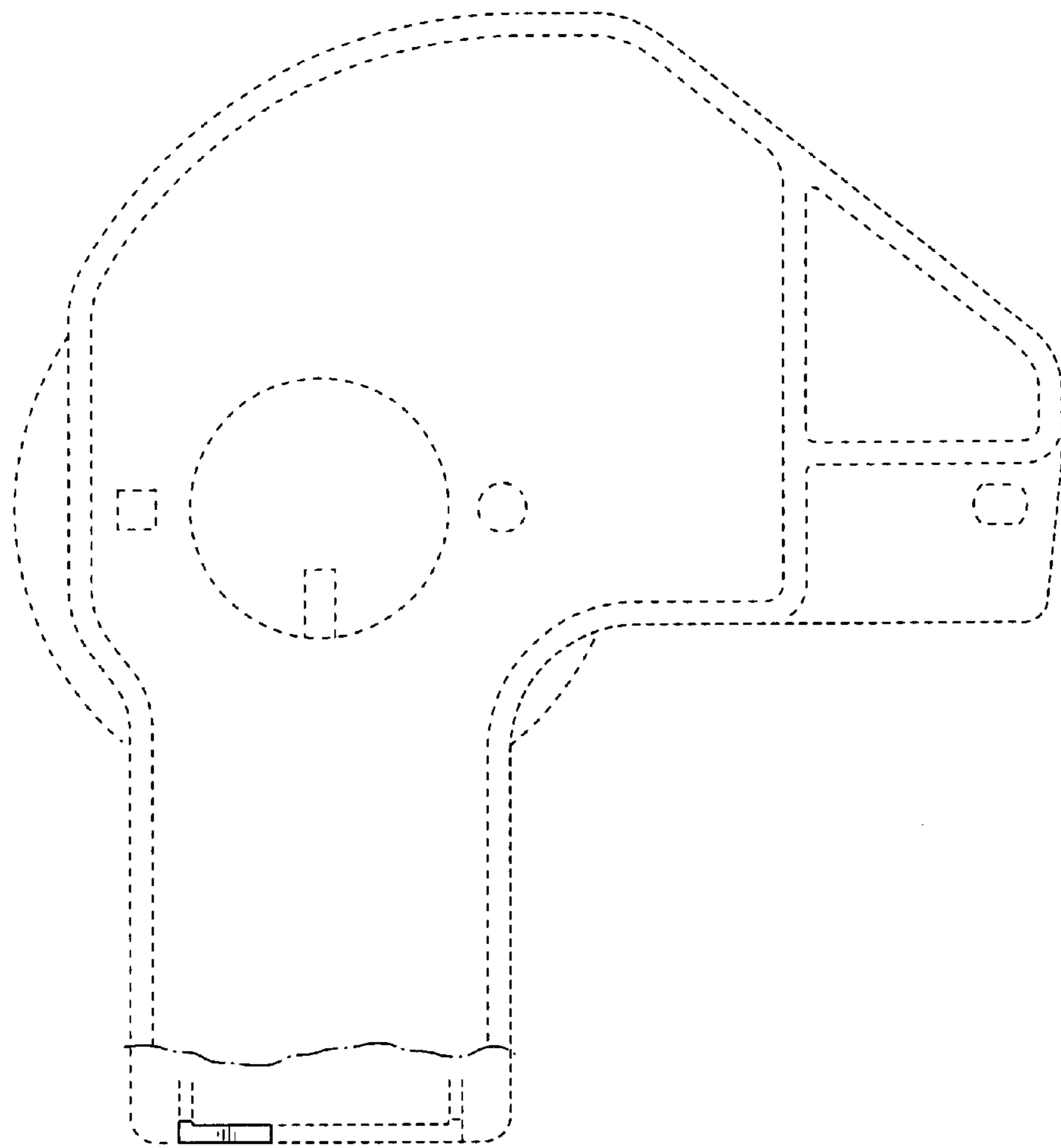


FIG. 5

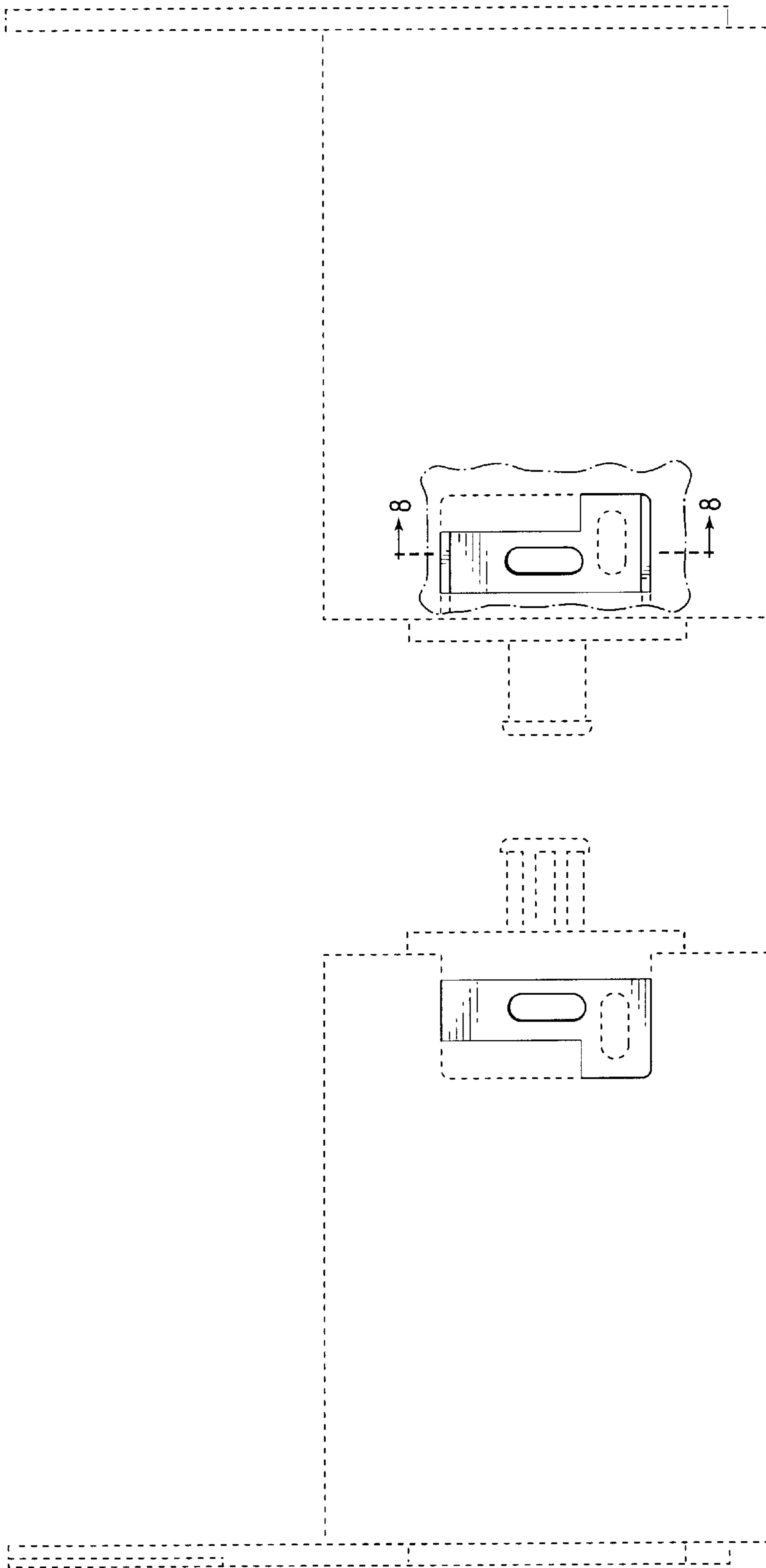


FIG. 7

FIG. 6

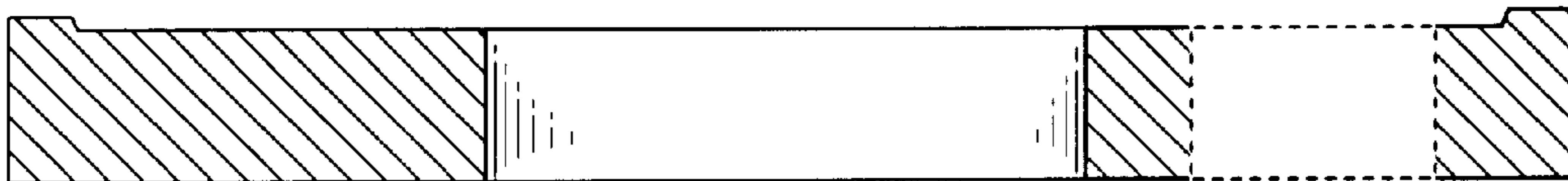


FIG. 8