

US00D542835S

(12) **United States Design Patent** (10) **Patent No.:** **US D542,835 S**
Faber (45) **Date of Patent:** **** May 15, 2007**

(54) **PRINTER STAMP**

(75) Inventor: **Ernst Faber, Weis (AT)**

(73) Assignee: **Colop Stempelerzeugung Skopek GmbH & Co. KG, Wels (AT)**

(**) Term: **14 Years**

(21) Appl. No.: **29/234,879**

(22) Filed: **Jul. 22, 2005**

(30) **Foreign Application Priority Data**

Jan. 25, 2005 (AT) MU 64/2005

(51) **LOC (8) Cl.** **19-02**

(52) **U.S. Cl.** **D18/15**

(58) **Field of Classification Search** D18/15-18,
D18/50; 101/333-334, 327, 405, 406, 328,
101/352.07; 118/264, 268
See application file for complete search history.

(56) **References Cited**

U.S. PATENT DOCUMENTS

2,252,649 A * 8/1941 Smallman 101/333
D176,581 S * 1/1956 Albert D18/15
3,783,786 A * 1/1974 Ellison et al. 101/333
4,013,007 A * 3/1977 Flynn 101/333
D275,687 S * 9/1984 Funahashi D18/15
D400,566 S * 11/1998 Schreiberhuber D18/15

D417,464 S * 12/1999 Skopek D18/15
D421,452 S * 3/2000 Pichler D18/15
D451,944 S * 12/2001 Lipkin et al. D18/15
D507,805 S * 7/2005 Shih D18/15
D513,036 S * 12/2005 Wan et al. D18/15

FOREIGN PATENT DOCUMENTS

GB 1034319 * 11/1986
GB 2065671 * 11/2001

* cited by examiner

Primary Examiner—Charles A. Rademaker

(74) *Attorney, Agent, or Firm*—Abelman, Frayne & Schwab

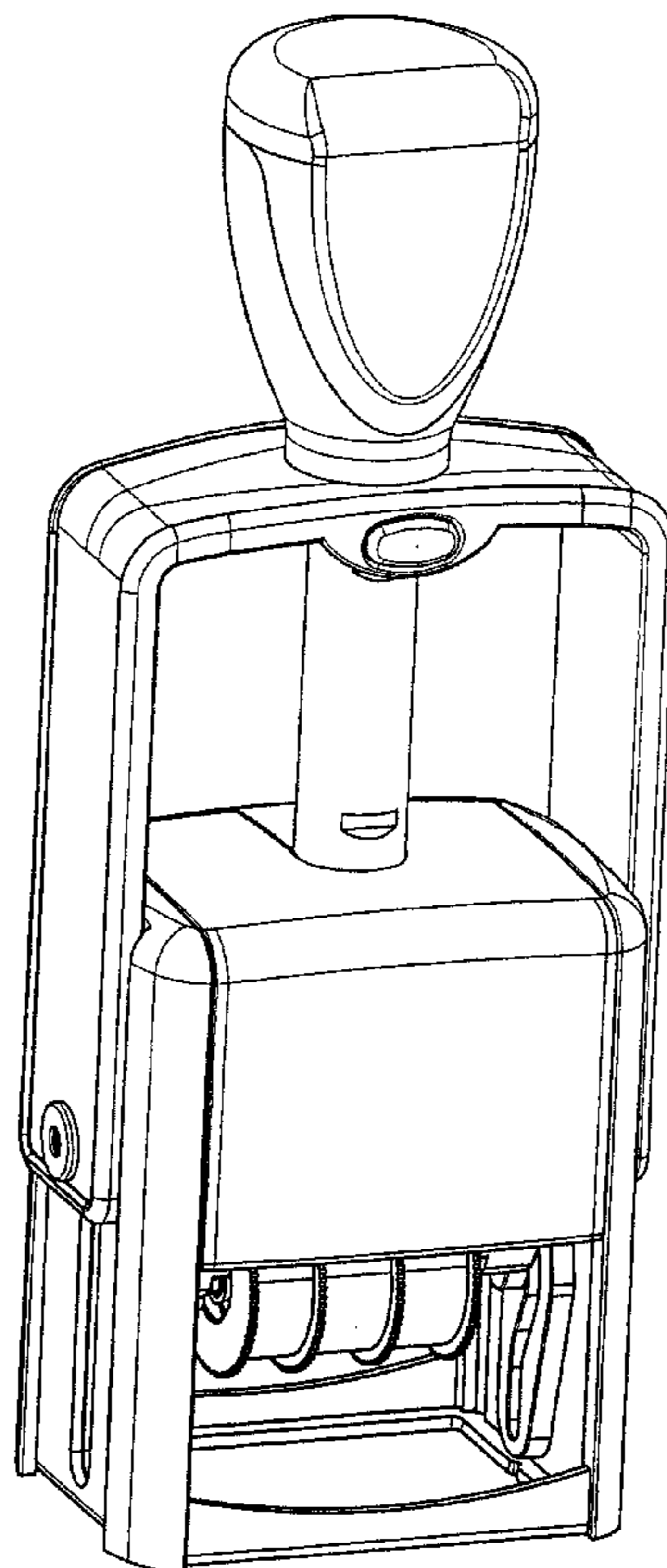
(57) **CLAIM**

The ornamental design for a printer stamp, as shown and described.

DESCRIPTION

FIG. 1 is a top front left side perspective view of a printer stamp showing my new design;
FIG. 2 is a top rear right side perspective view thereof;
FIG. 3 is a front elevational view thereof;
FIG. 4 is a rear elevational view thereof;
FIG. 5 is a left side elevational view thereof;
FIG. 6 is a right side elevational view thereof;
FIG. 7 is a top plan view thereof; and,
FIG. 8 is a bottom plan view thereof.

1 Claim, 8 Drawing Sheets



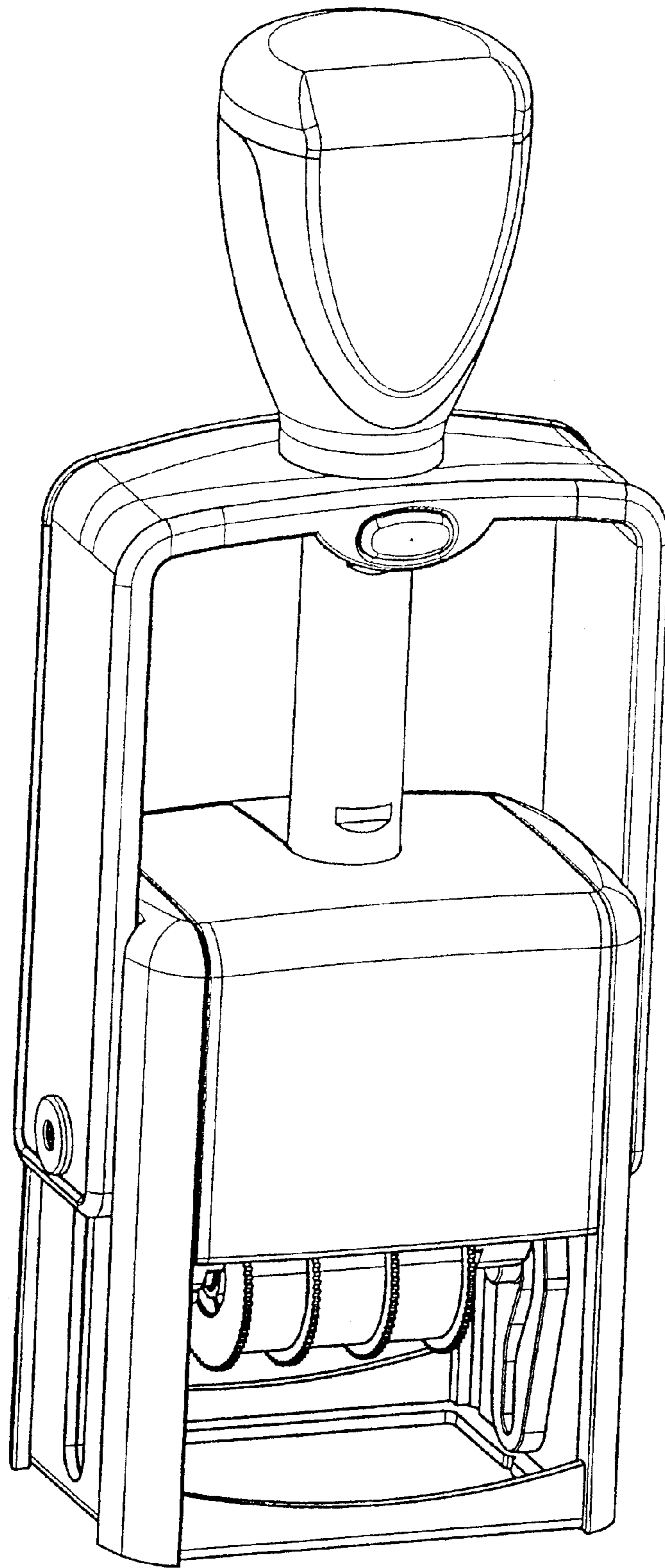


FIG. 1

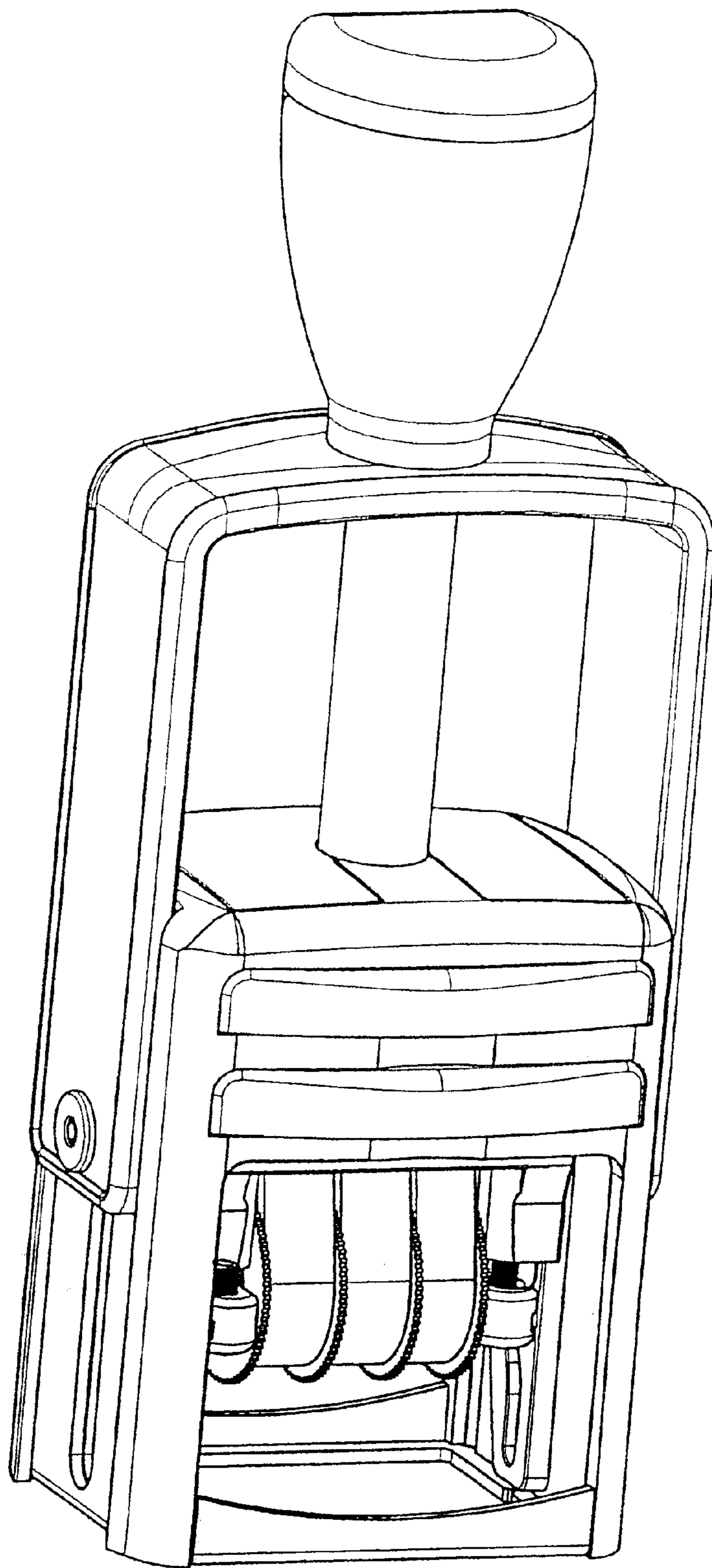


FIG. 2

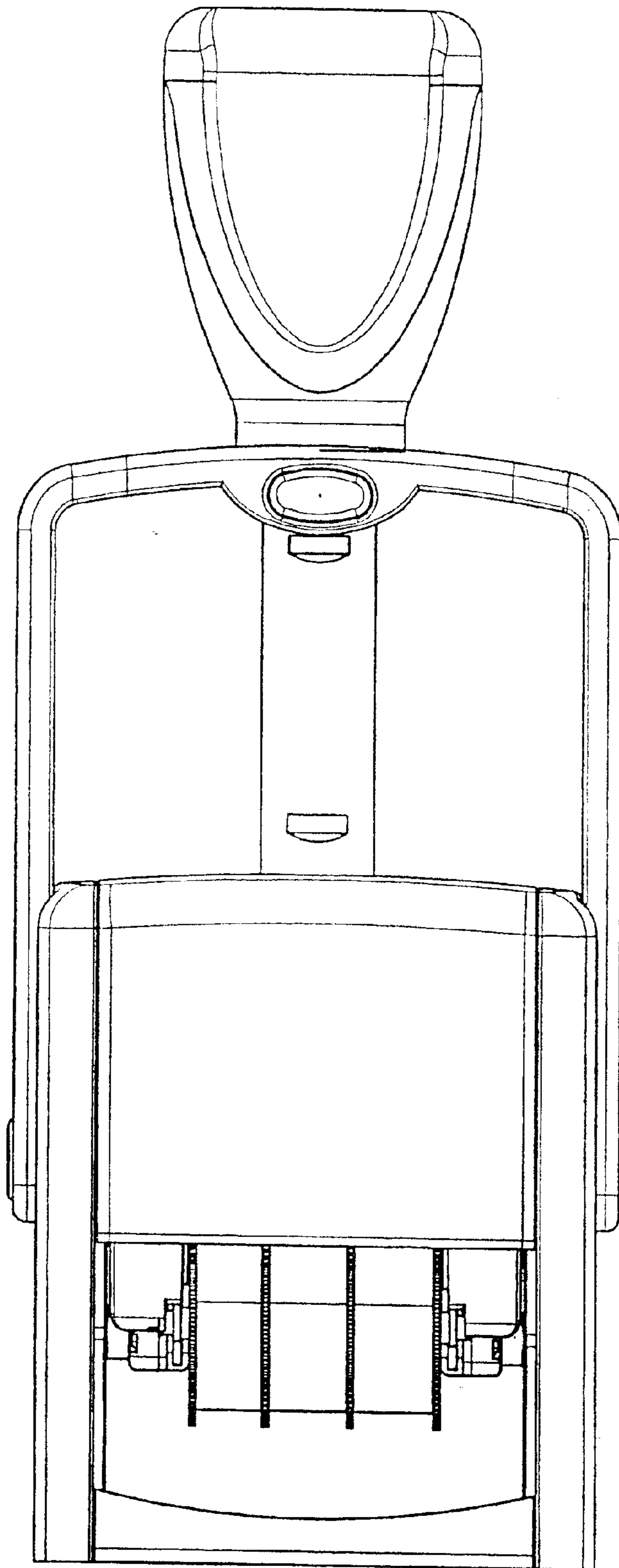


FIG. 3

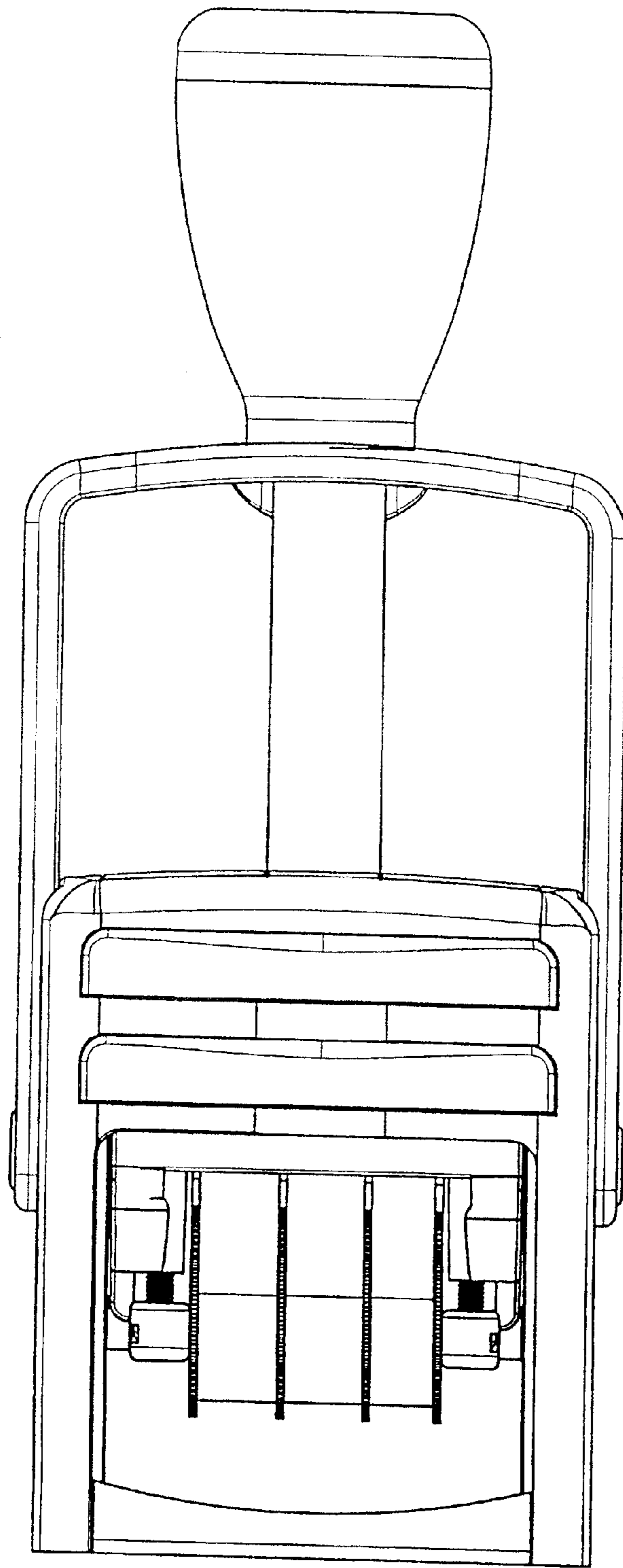


FIG. 4

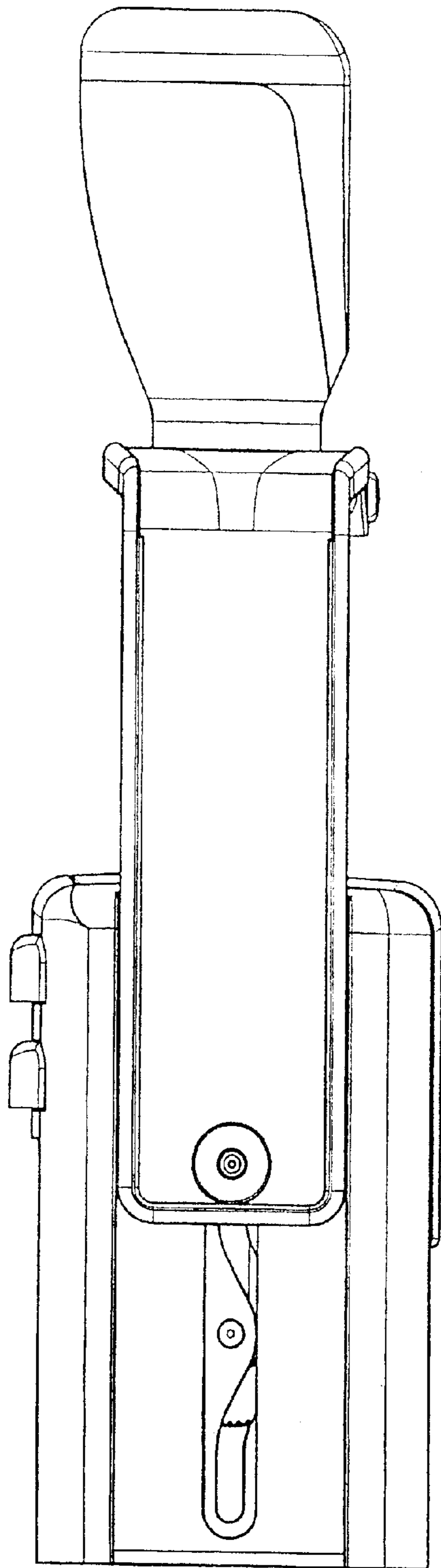


FIG. 5

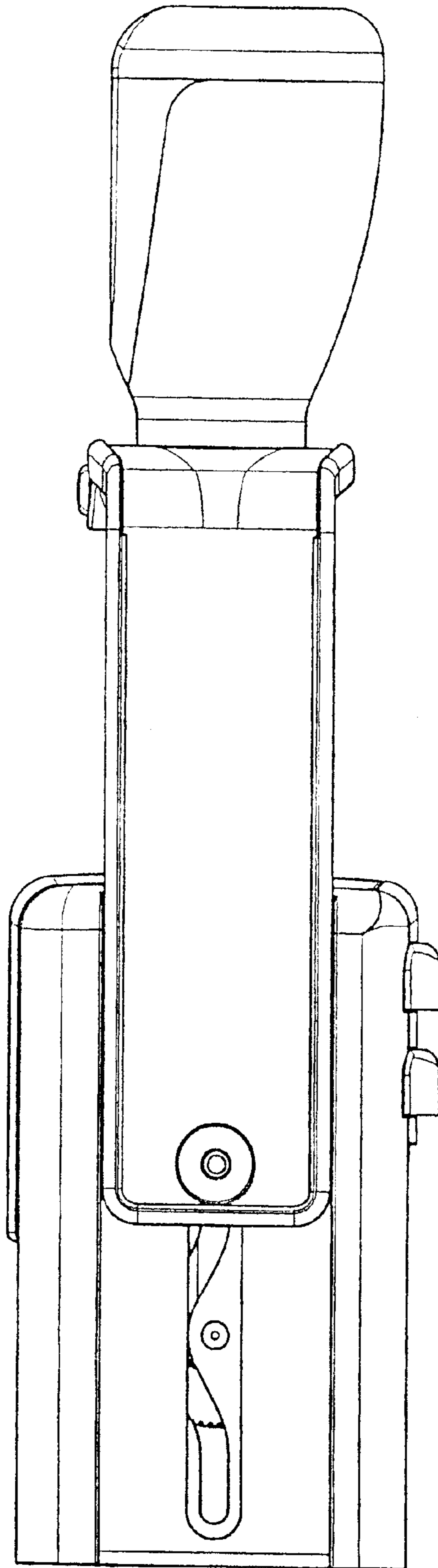


FIG. 6

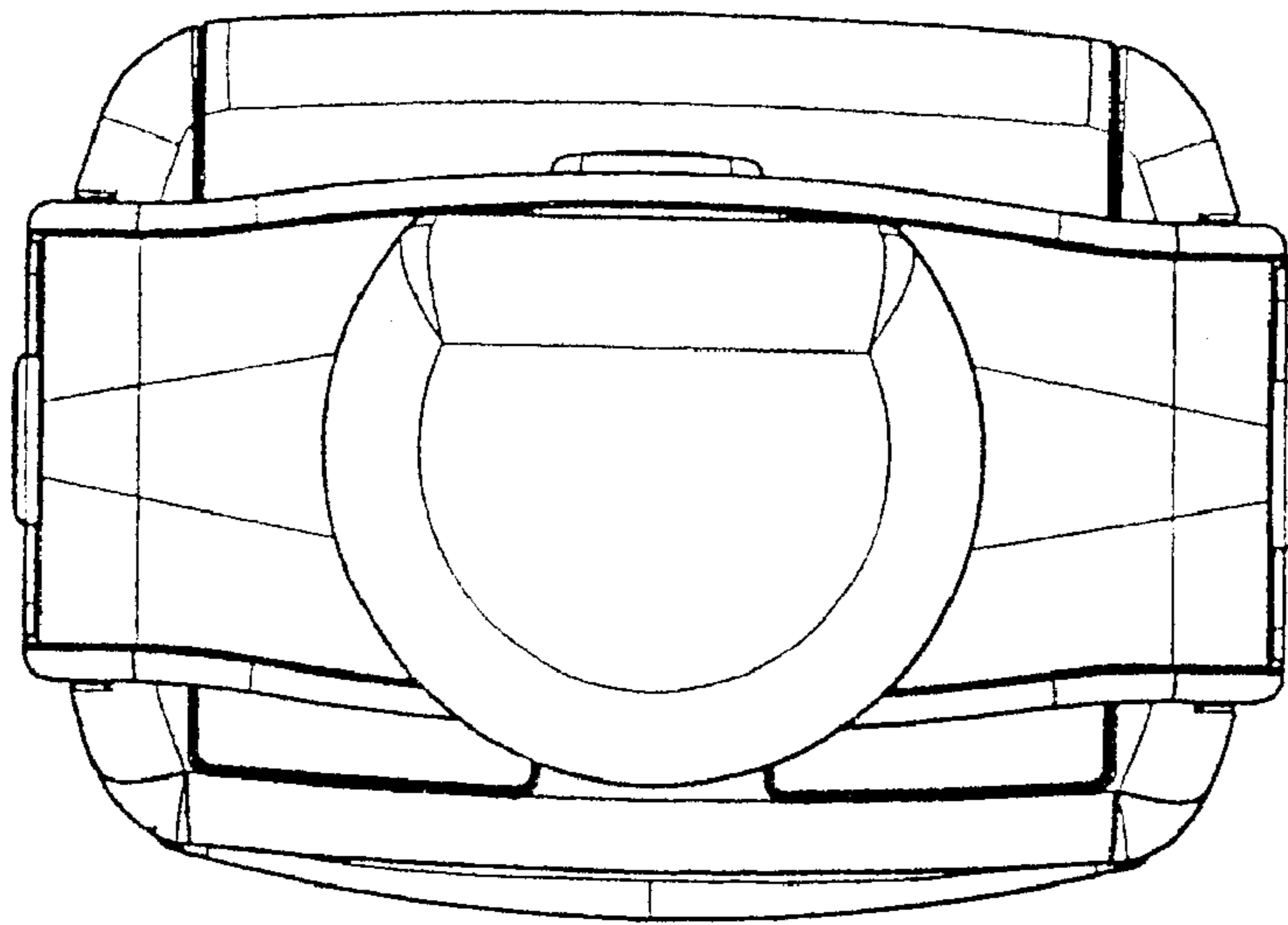


FIG. 7

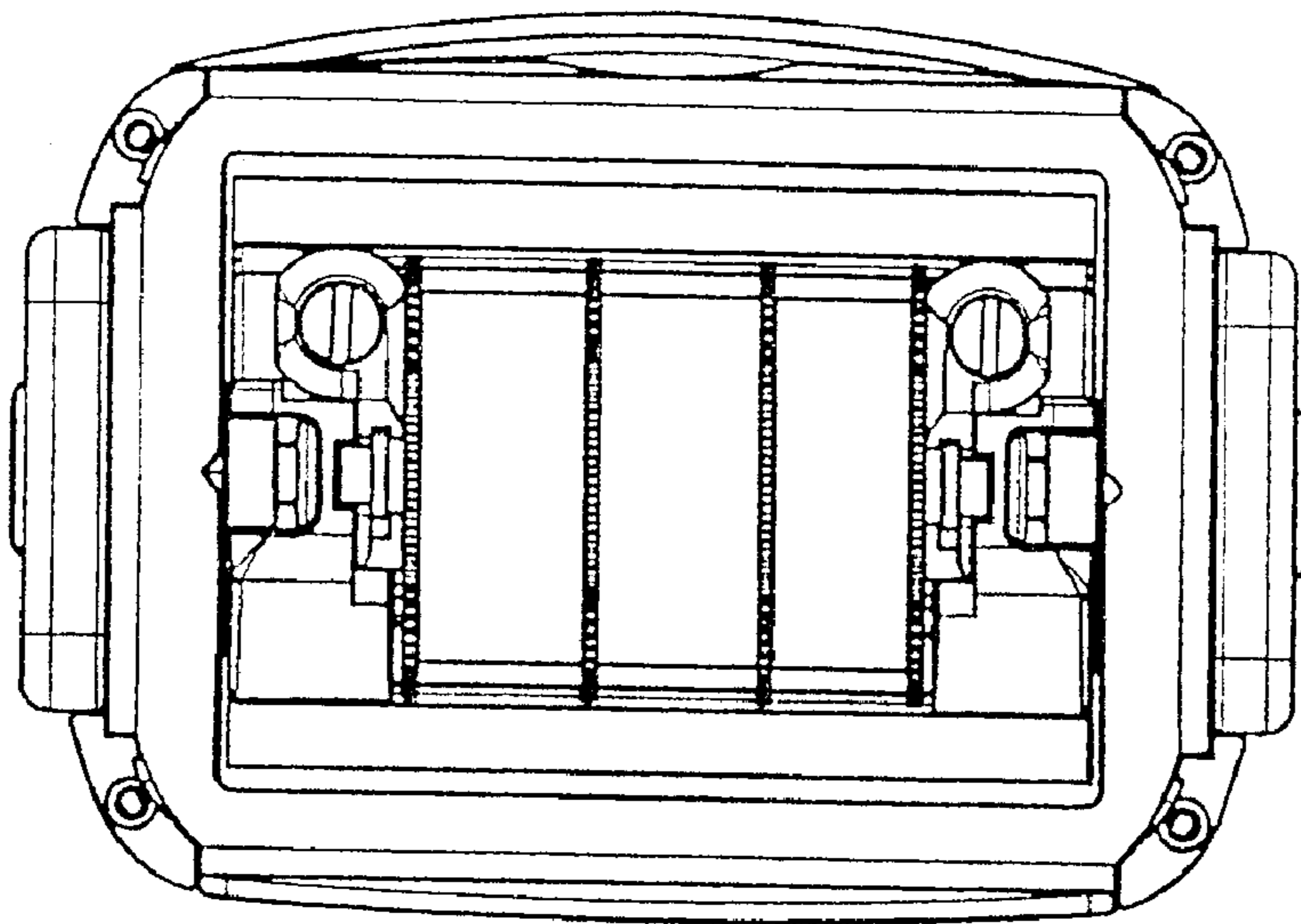


FIG. 8