

US00D542834S

(12) **United States Design Patent**  
**Ando et al.**

(10) **Patent No.:** **US D542,834 S**

(45) **Date of Patent:** **\*\* May 15, 2007**

(54) **CASH REGISTER**

(75) Inventors: **Taku Ando**, Tokyo (JP); **Toshiyuki Ichikawa**, Atsugi (JP); **Youhei Shimura**, Tokyo (JP)

(73) Assignee: **Fujitsu Limited**, Kawasaki (JP)

(\*\*) Term: **14 Years**

(21) Appl. No.: **29/254,113**

(22) Filed: **Feb. 17, 2006**

(30) **Foreign Application Priority Data**

Aug. 19, 2005 (JP) ..... 2005-024013

(51) **LOC (8) Cl.** ..... **18-01**

(52) **U.S. Cl.** ..... **D18/4.6; D18/4.5**

(58) **Field of Classification Search** ..... D18/3.1-3.3, D18/4.1-4.6, 6-8, 11, 12, 12.1-12.3; D14/336, D14/371-376, 385-387; D21/324, 329, 332, D21/333; D99/28, 34-36, 43; 235/1 E, 2, 235/7 R, 12, 22, 33, 51, 52; 705/12, 15-18, 705/43

See application file for complete search history.

(56) **References Cited**

**U.S. PATENT DOCUMENTS**

D424,098 S \* 5/2000 Kim ..... D18/4.5

D430,870 S \* 9/2000 Maruyama et al. .... D18/1  
D432,533 S \* 10/2000 Jin ..... D14/336  
D442,951 S \* 5/2001 Hill et al. .... D14/336  
D526,003 S \* 8/2006 Shih ..... D18/4.6  
D527,760 S \* 9/2006 Ono ..... D18/4.5

\* cited by examiner

*Primary Examiner*—Caron D. Veynar

*Assistant Examiner*—Garth Rademaker

(74) *Attorney, Agent, or Firm*—Staas & Halsey LLP

(57) **CLAIM**

The ornamental design for a cash register, as shown.

**DESCRIPTION**

FIG. 1 is a top, front and left side perspective view of a cash register showing our new design;

FIG. 2 is a top, rear and left side perspective view thereof;

FIG. 3 is a front view thereof;

FIG. 4 is a rear view thereof;

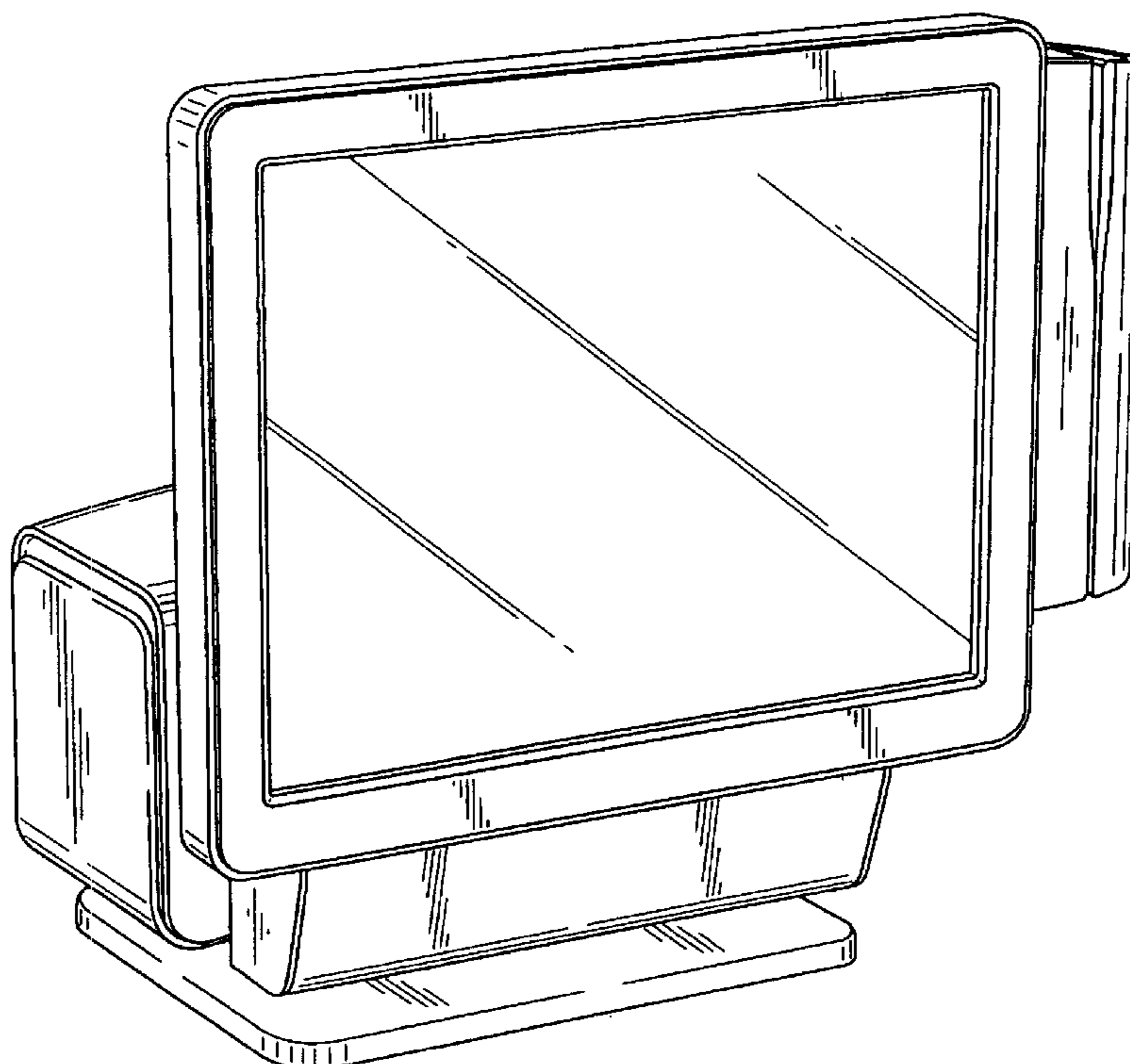
FIG. 5 is a left side view thereof;

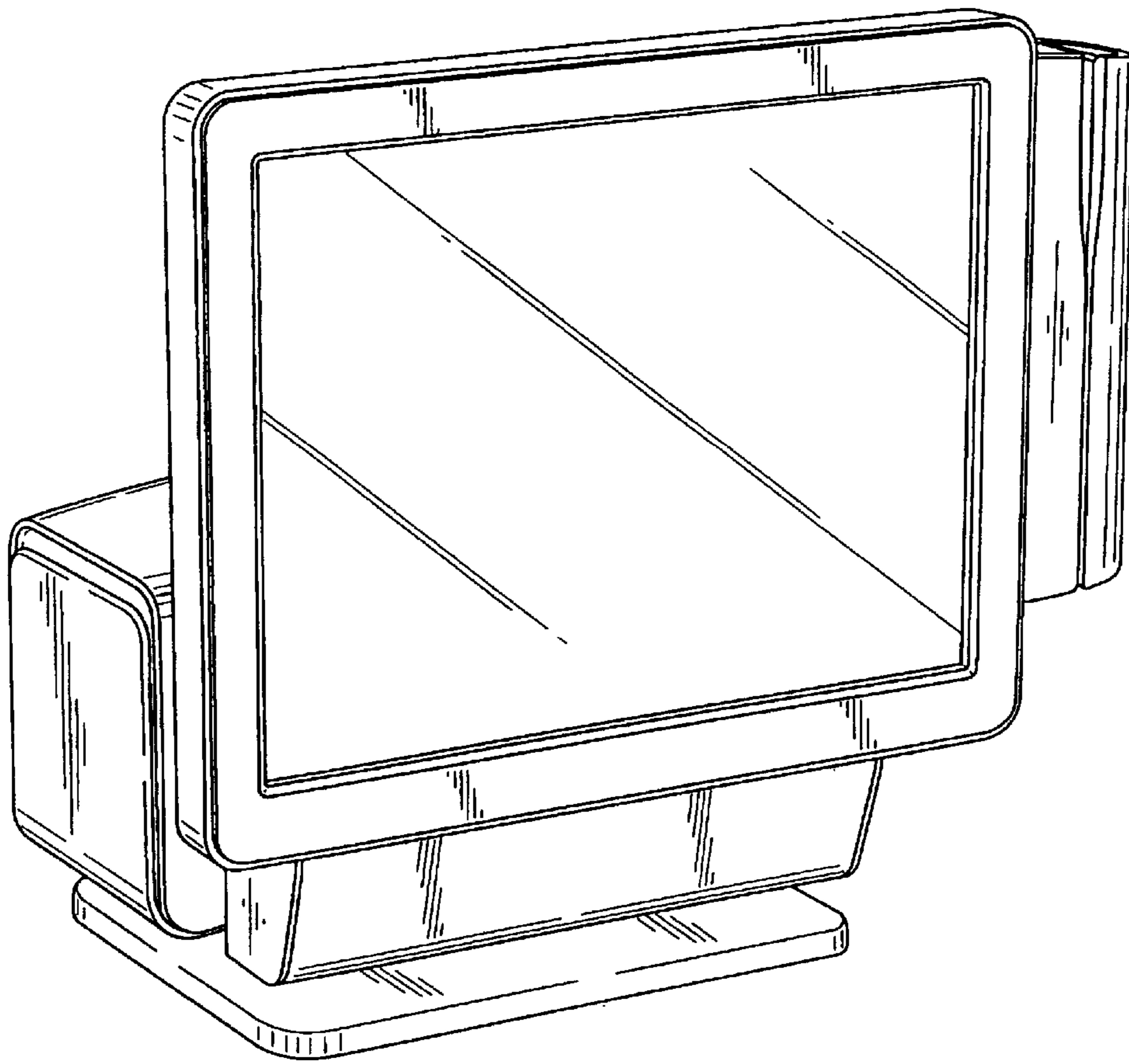
FIG. 6 is a right side view thereof;

FIG. 7 is a top plan view thereof; and,

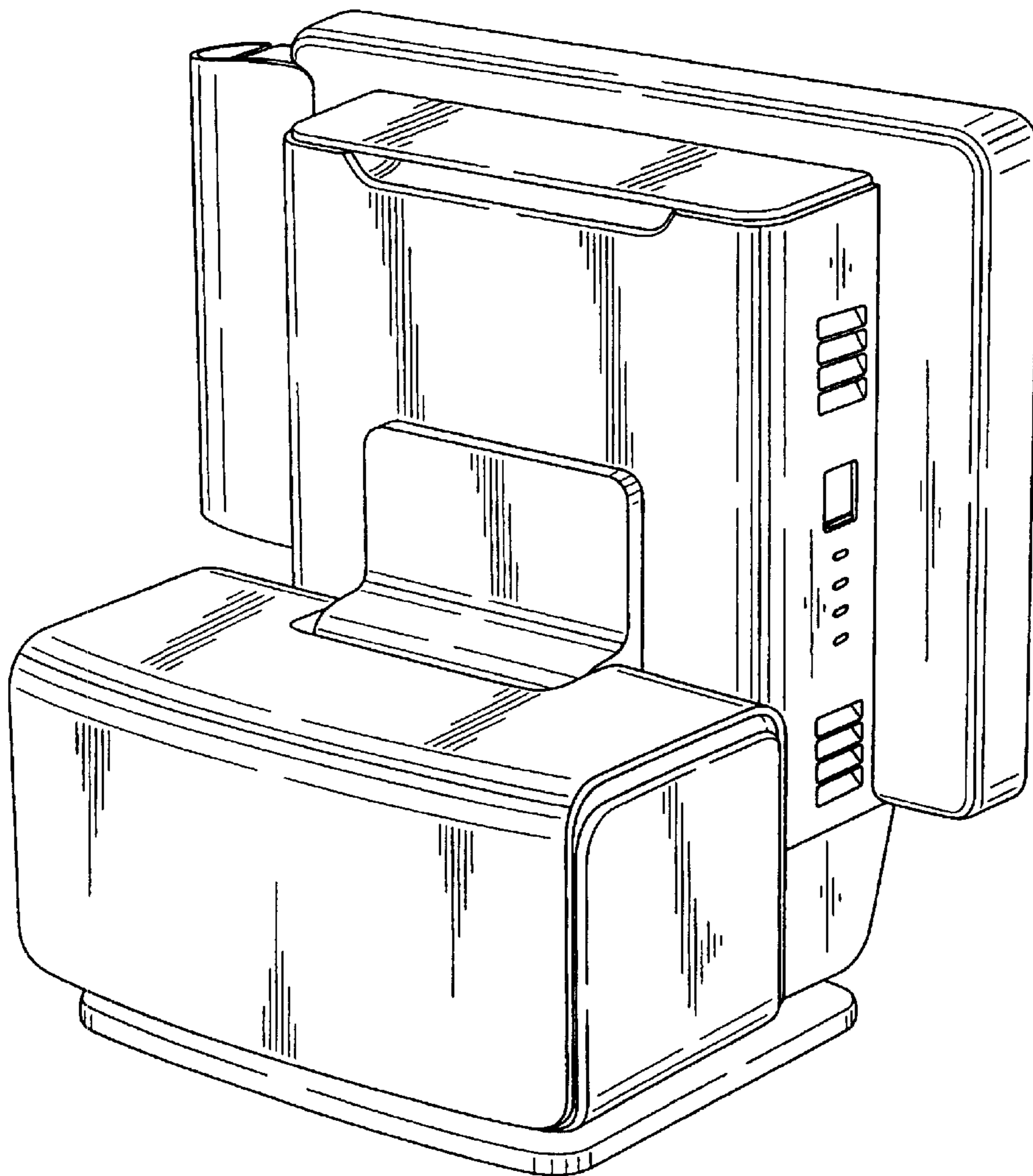
FIG. 8 is a bottom view thereof.

**1 Claim, 8 Drawing Sheets**

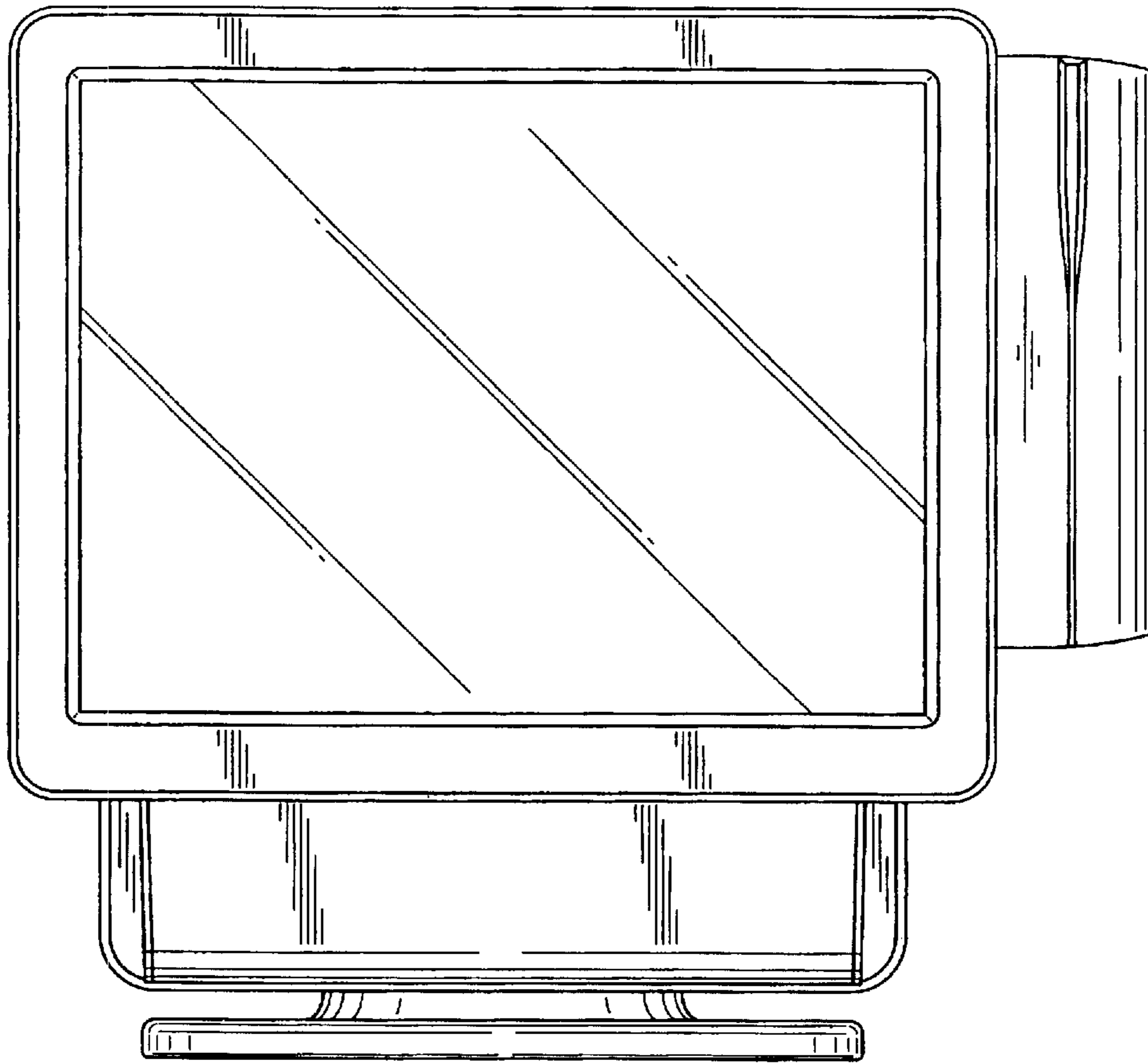




*FIG. 1*



*FIG. 2*



*FIG. 3*

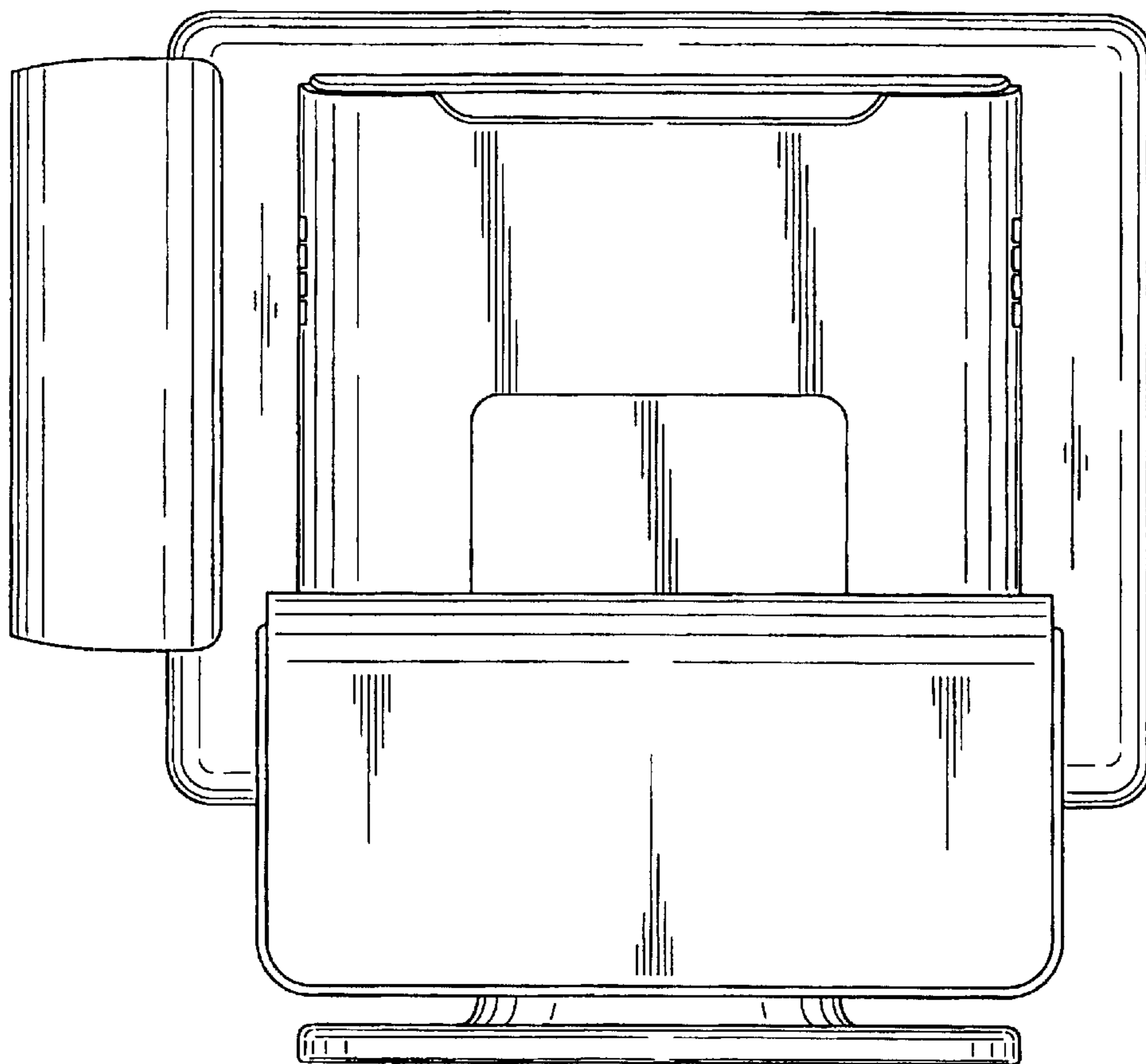
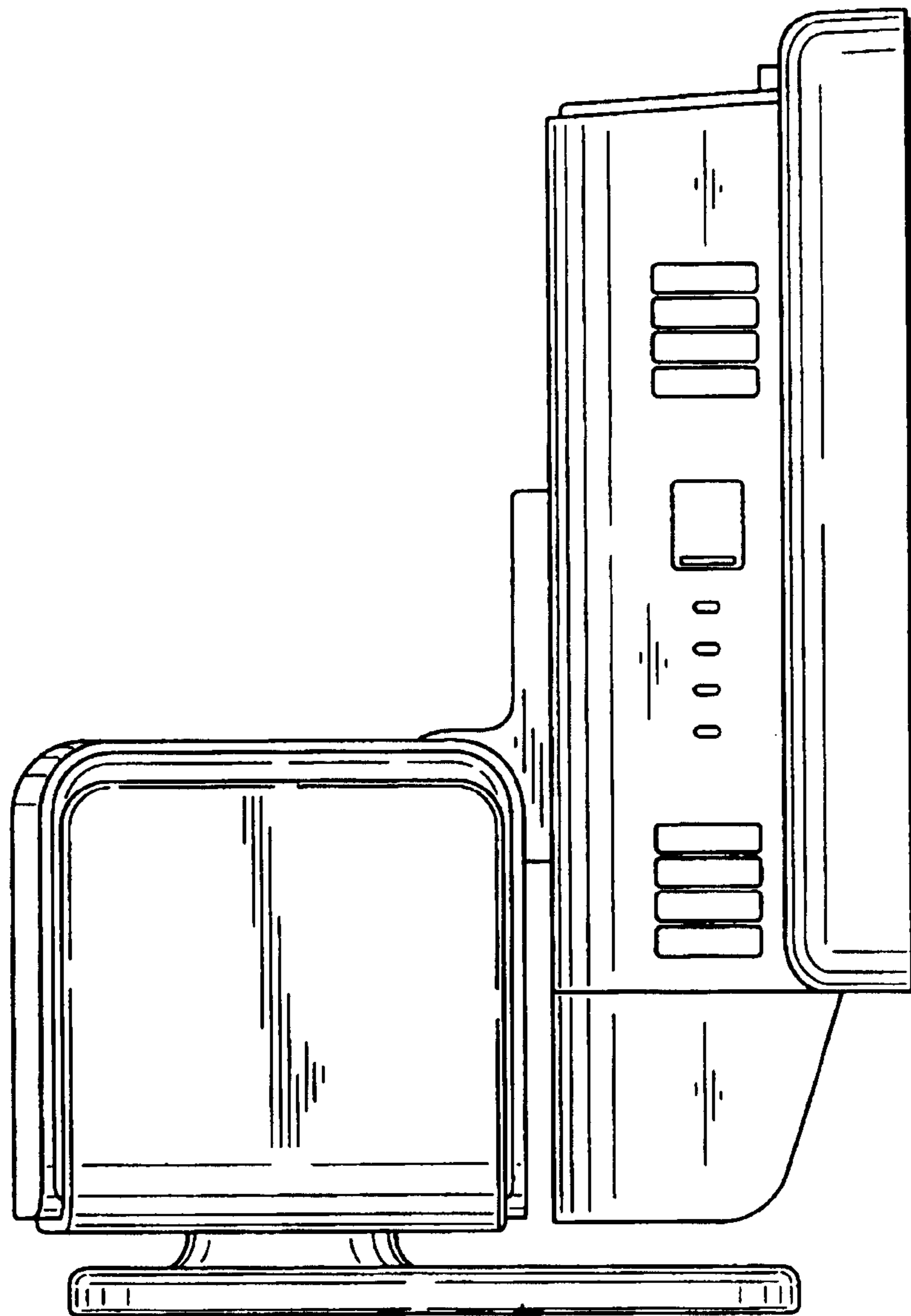
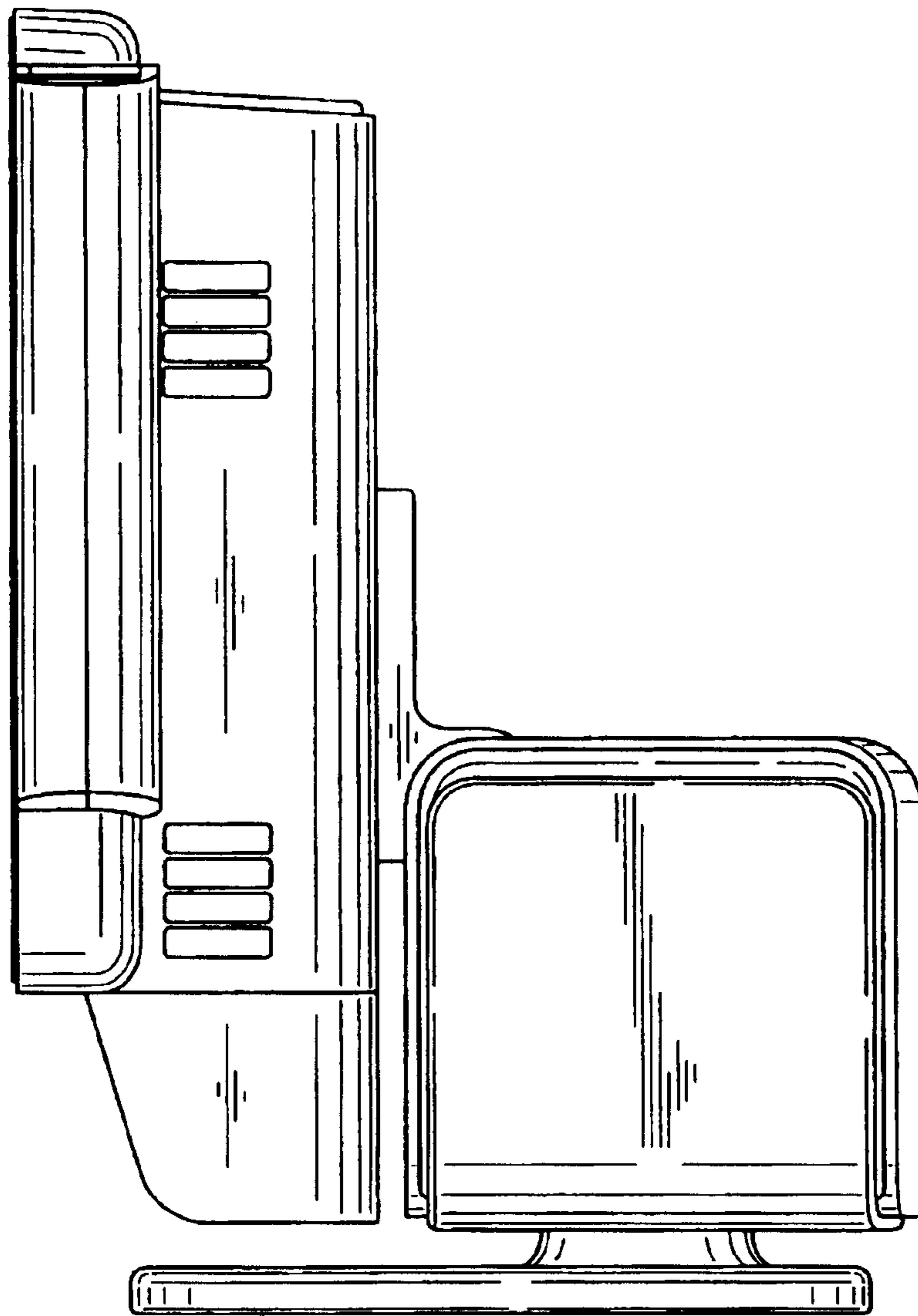


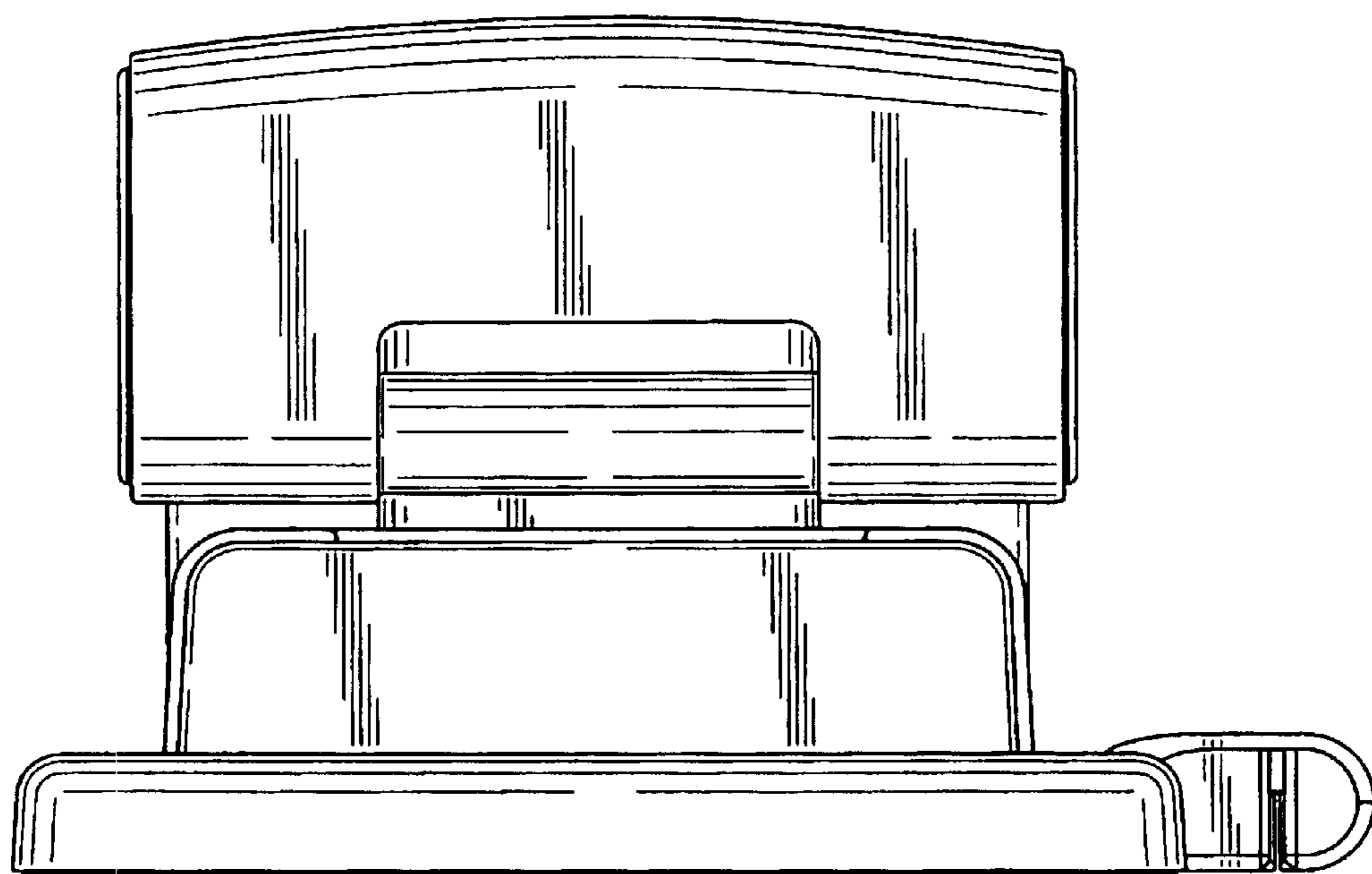
FIG. 4



**FIG. 5**

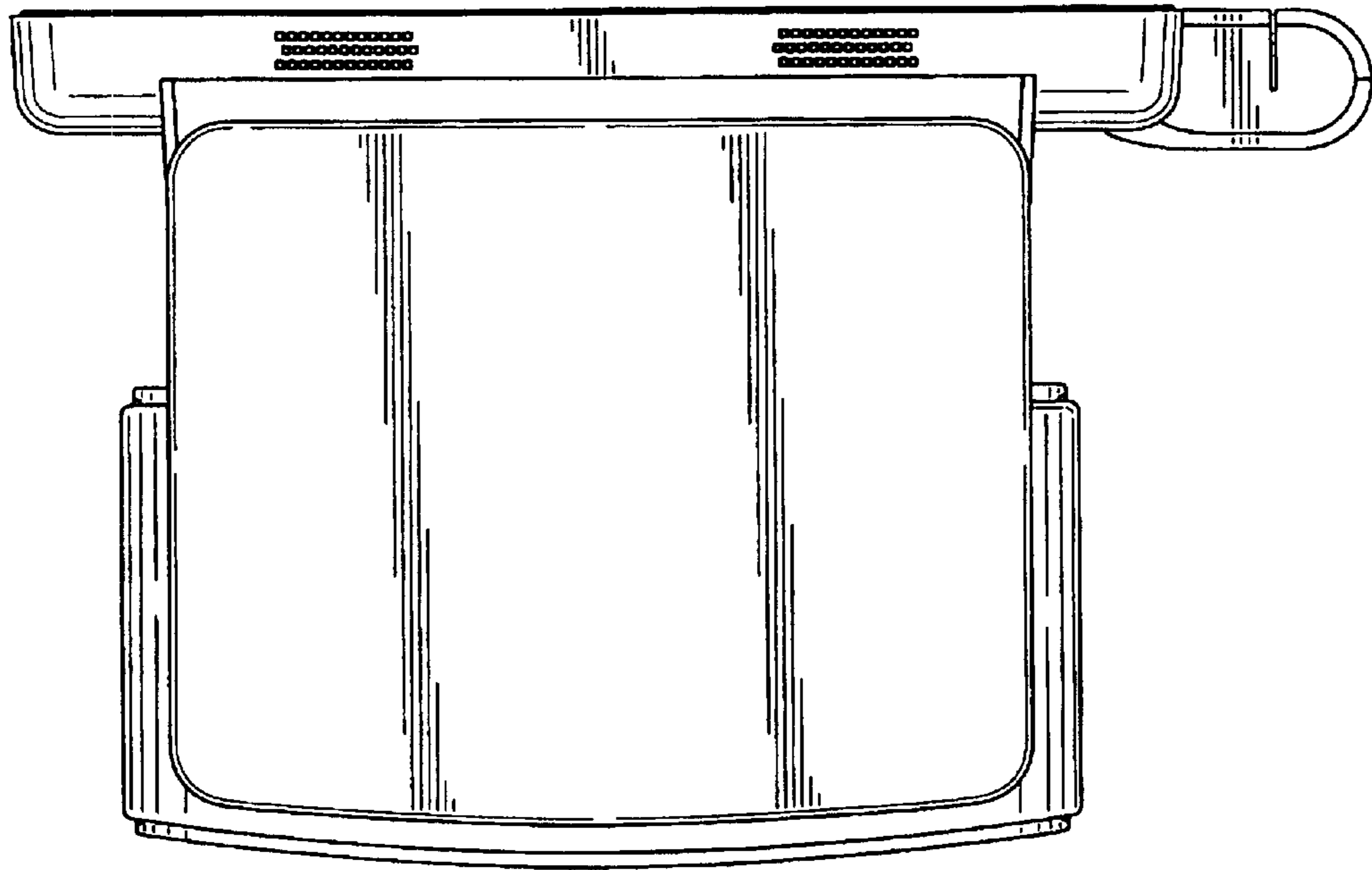


**FIG. 6**



*FIG. 7*





*FIG. 8*