

US00D542828S

(12) **United States Design Patent**
Tsukahara

(10) **Patent No.:** **US D542,828 S**

(45) **Date of Patent:** **** May 15, 2007**

(54) **LCD VIDEO PROJECTOR**

(75) Inventor: **Takashi Tsukahara**, Osaka (JP)
(73) Assignee: **Matsushita Electrical Industrial Co., Ltd.**, Osaka (JP)
(**) Term: **14 Years**

(21) Appl. No.: **29/254,874**

(22) Filed: **Mar. 1, 2006**

(30) **Foreign Application Priority Data**

Dec. 27, 2005 (JP) 2005-038298

(51) **LOC (8) Cl.** **16-02**

(52) **U.S. Cl.** **D16/230; D16/221; D16/225**

(58) **Field of Classification Search** D16/205,
D16/208, 213, 221, 225, 230, 231, 234; D21/514;
349/5, 7, 8, 9, 58; 352/34, 242; 353/115,
353/119, 122

See application file for complete search history.

FOREIGN PATENT DOCUMENTS

JP	D1073081	6/2000
JP	D1113620	7/2001
JP	D1115442	7/2001
JP	D1145604	7/2002
JP	D1145719	7/2002
JP	D1161418	12/2002
JP	D1173345	5/2003
JP	D1186724	10/2003
JP	D1201436	4/2004
JP	D1202246	4/2004
JP	D1202247	4/2004
JP	D1202249	4/2004
JP	D1202251	4/2004
JP	D1202253	4/2004
JP	D1203778	4/2004
JP	D1217071	9/2004
JP	D1220148	10/2004
JP	D1220993	10/2004
JP	D1221302	10/2004
JP	D1234340	3/2005
JP	D1234674	3/2005

(56) **References Cited**

U.S. PATENT DOCUMENTS

D401,955 S	12/1998	Kawamoto et al.	
D402,679 S	12/1998	Kawamoto et al.	
D418,532 S	1/2000	Kuramoto et al.	
D420,376 S	* 2/2000	Iwabuchi et al.	D16/231
D421,037 S	2/2000	Kawamoto et al.	
D425,097 S	5/2000	Kuramoto	
D439,923 S	4/2001	Kawamoto	
D449,060 S	* 10/2001	Saeki et al.	D16/230
D454,903 S	3/2002	Kawamoto et al.	
D467,604 S	12/2002	Niitsu	
D476,353 S	6/2003	Morishita et al.	
D480,409 S	10/2003	Wang et al.	
D480,410 S	10/2003	Morishita et al.	
D482,381 S	11/2003	Morishita et al.	
D482,716 S	11/2003	Azuma et al.	
D489,391 S	5/2004	Morishita et al.	
D491,973 S	6/2004	Morishita et al.	
D492,714 S	7/2004	Morishita et al.	
D498,781 S	11/2004	Azuma et al.	
D516,109 S	* 2/2006	Naruki et al.	D16/230
2003/0174288 A1	* 9/2003	Nakano	353/119

* cited by examiner

Primary Examiner—Ian Simmons
Assistant Examiner—W. Laymon
(74) *Attorney, Agent, or Firm*—Brinks Hofer Gilson & Lione

(57) **CLAIM**

The ornamental design for a LCD video projector, as shown and described.

DESCRIPTION

FIG. 1 is a top perspective view of a LCD video projector of the present invention;
FIG. 2 is a front view thereof;
FIG. 3 is a top view thereof;
FIG. 4 is a first side view thereof;
FIG. 5 is an opposite side view of that shown in FIG. 4 thereof;
FIG. 6 is a bottom view thereof; and,
FIG. 7 is a rear view thereof.

1 Claim, 3 Drawing Sheets

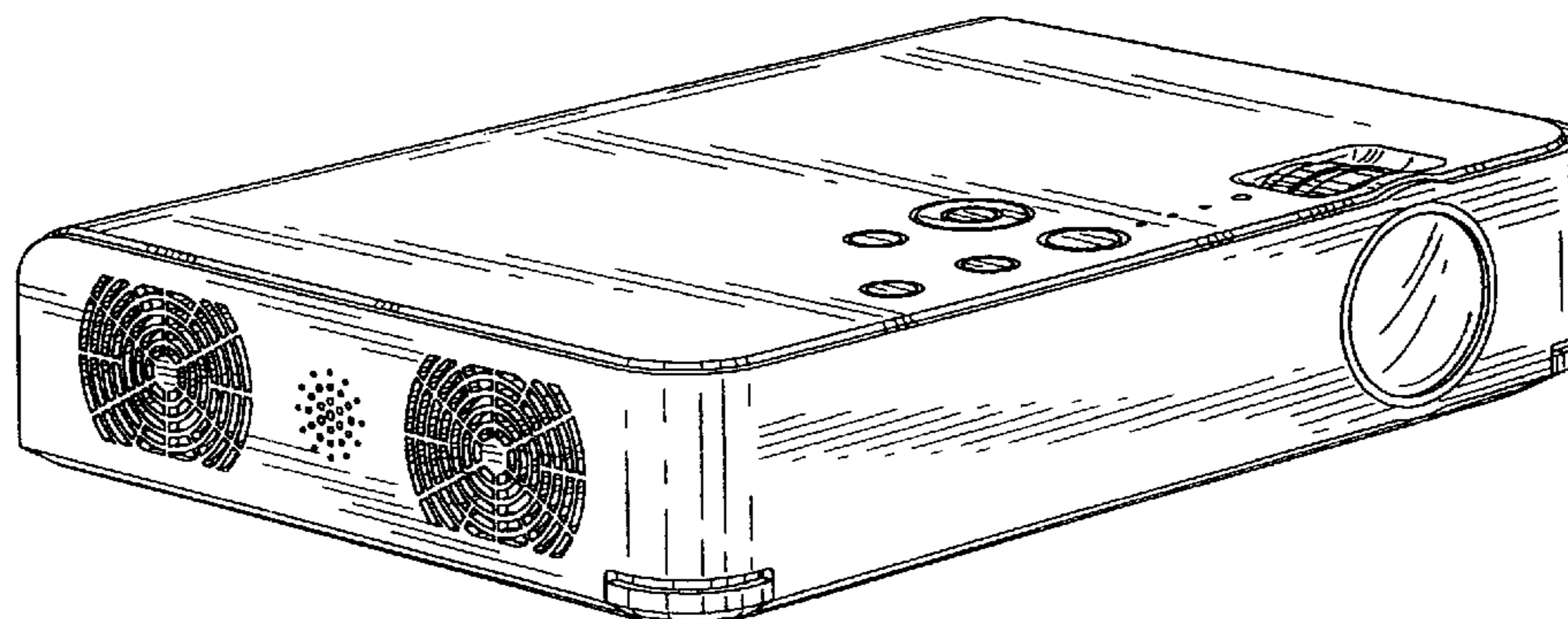


FIG. 1

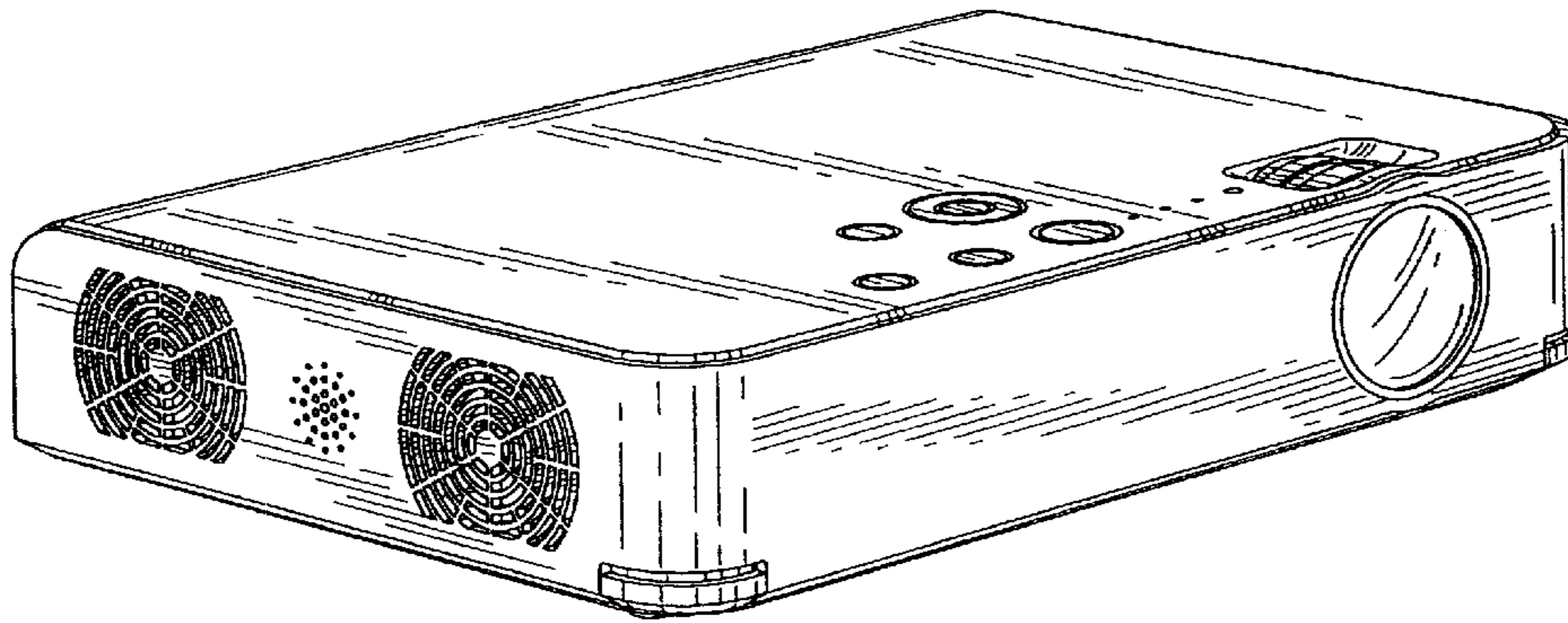


FIG. 2

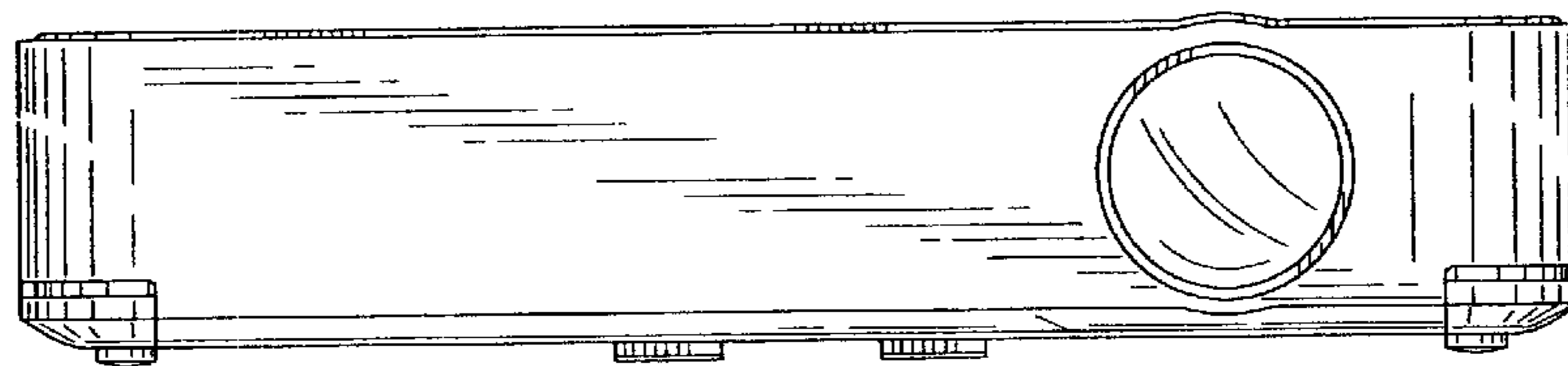


FIG. 3

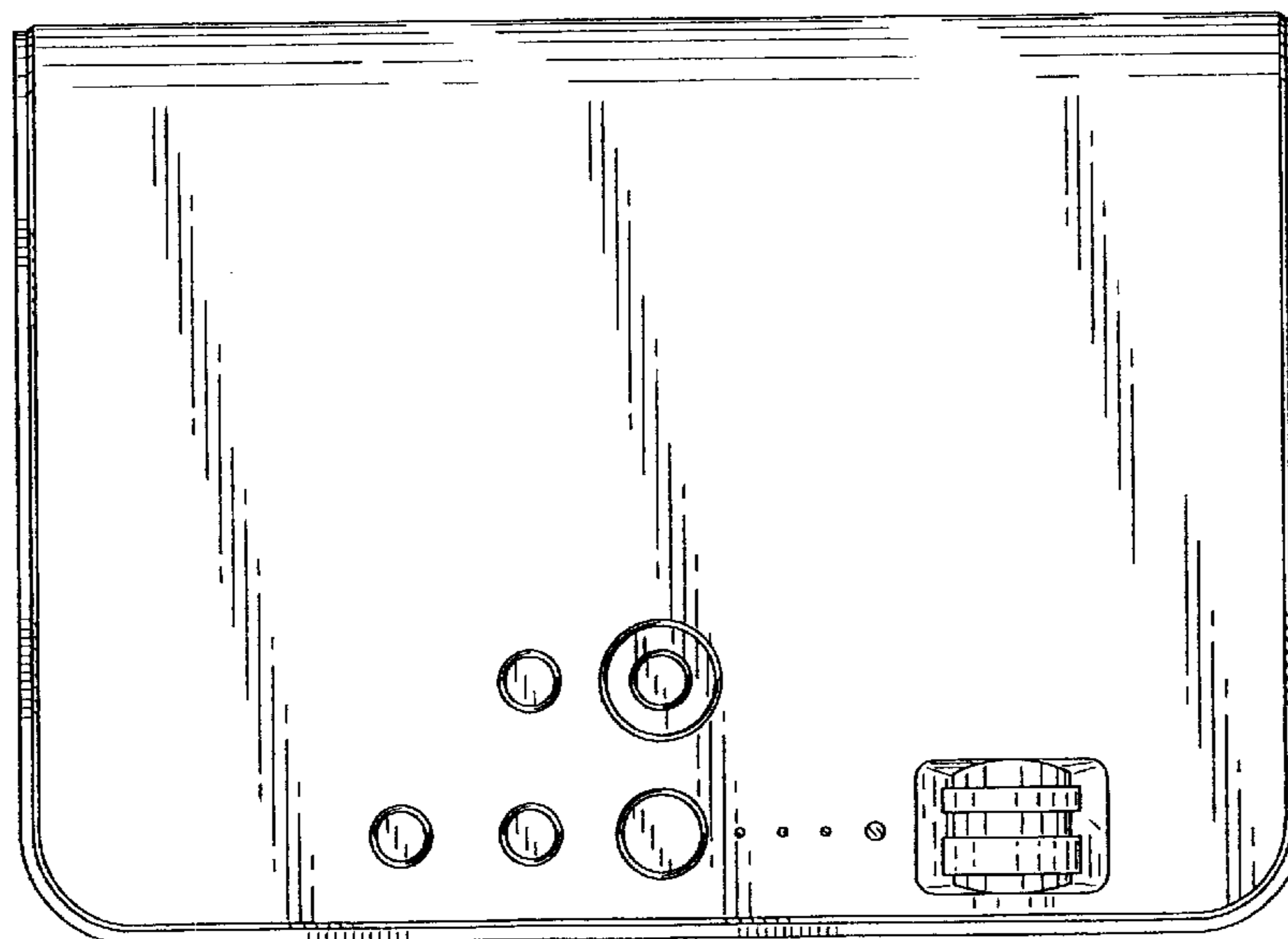


FIG.4

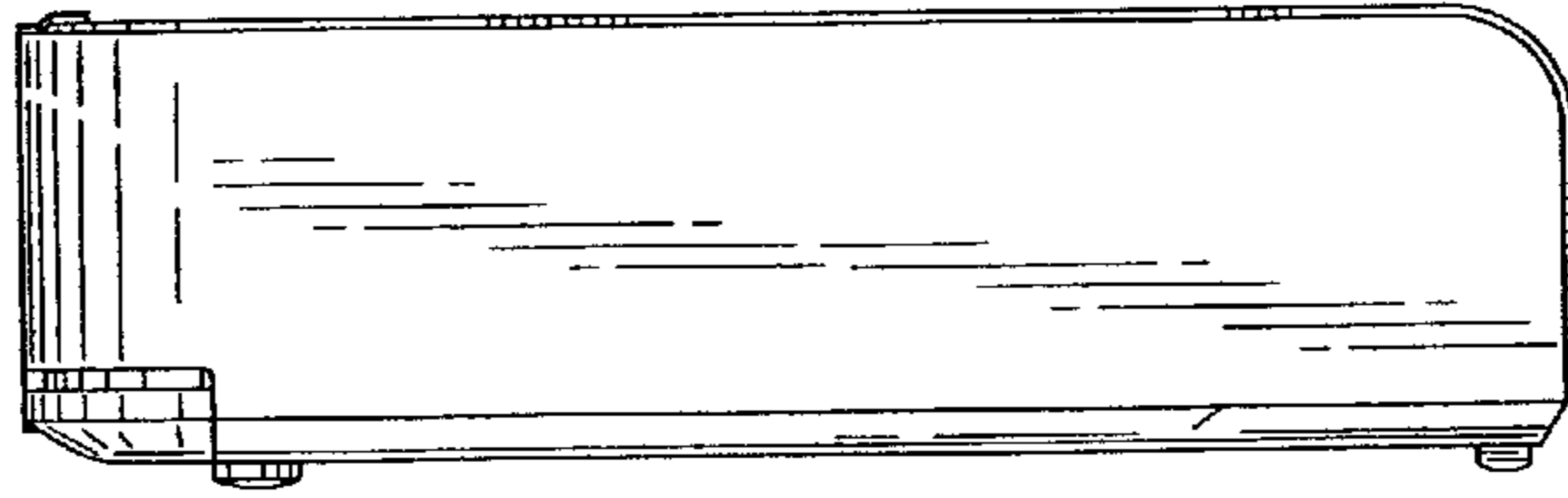


FIG.5

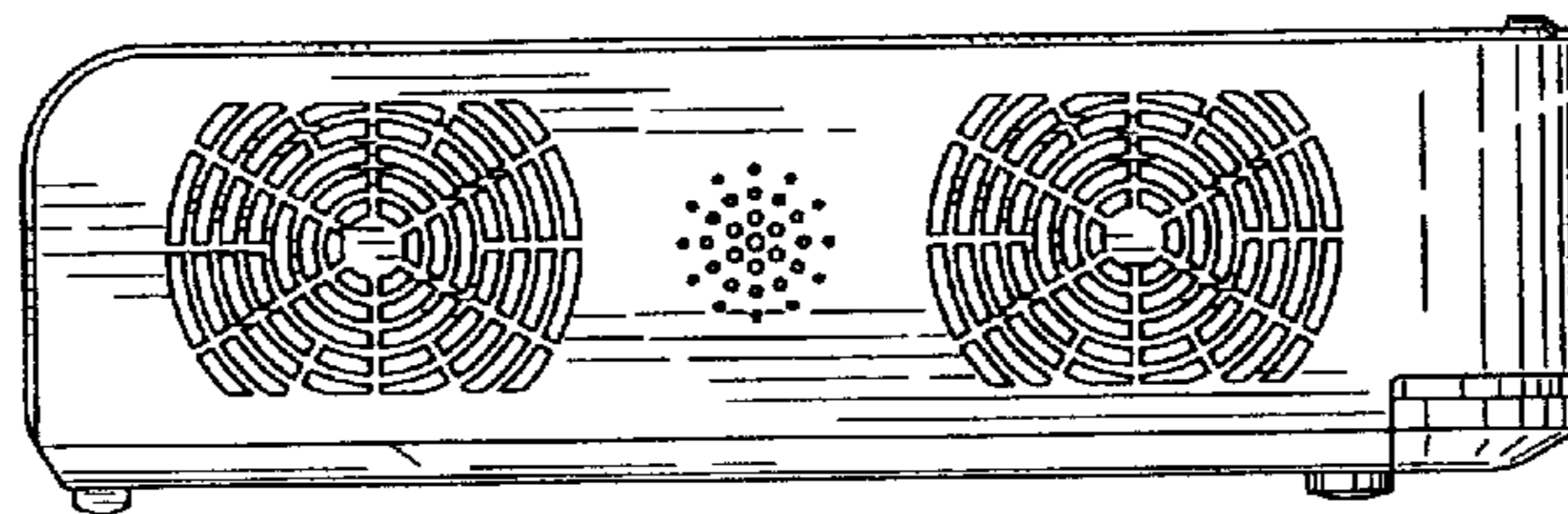


FIG.6

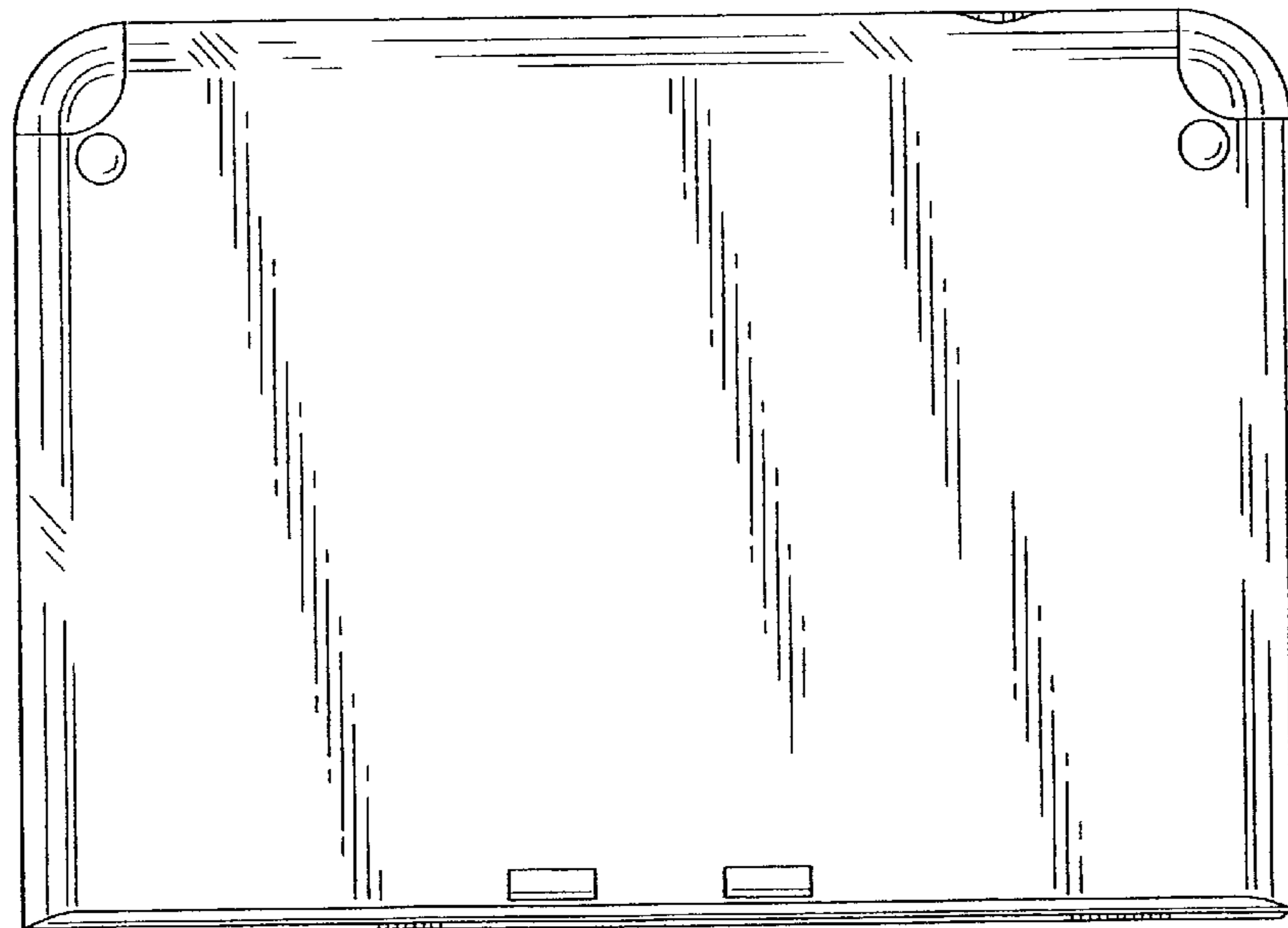


FIG.7

