

US00D542827S

(12) **United States Design Patent**  
**Ebihara**

(10) **Patent No.:** **US D542,827 S**

(45) **Date of Patent:** **\*\* May 15, 2007**

(54) **LASER BEAM PROJECTOR**

(75) Inventor: **Hiroshi Ebihara**, Itabashi-ku (JP)

(73) Assignee: **TJM Design Corporation**, Tokyo (JP)

(\*\*) Term: **14 Years**

(21) Appl. No.: **29/198,279**

(22) Filed: **Jan. 29, 2004**

(30) **Foreign Application Priority Data**

Aug. 6, 2003 (JP) ..... 2003-022800

Aug. 6, 2003 (JP) ..... 2003-022877

(51) **LOC (8) Cl.** ..... **16-02**

(52) **U.S. Cl.** ..... **D16/221; D10/62**

(58) **Field of Classification Search** ..... D10/62,  
D10/65, 66, 69; D13/101, 184; D16/221,  
D16/225; 33/286, 290, DIG. 21; 353/115,  
353/119, 122

See application file for complete search history.

(56) **References Cited**

**U.S. PATENT DOCUMENTS**

5,331,395 A \* 7/1994 Piske et al. .... 33/DIG. 21

6,195,901 B1 \* 3/2001 Falb ..... 33/290

D469,738 S \* 2/2003 Ishii ..... D13/101

D489,390 S \* 5/2004 Ohshima et al. .... D16/225

6,848,188 B2 \* 2/2005 Tacklind et al. .... 33/290

D502,446 S \* 3/2005 Wilson et al. .... D13/101

\* cited by examiner

*Primary Examiner*—Adir Aronovich

(74) *Attorney, Agent, or Firm*—Steptoe & Johnson LLP

(57) **CLAIM**

The ornamental design for a laser beam projector, as shown and described.

**DESCRIPTION**

The present design is featured by a unique appearance of a laser beam projector adapted to be used as a laser alignment tool for building construction, having three legs that can be folded radially inwards.

FIG. 1 is a front view of a laser beam projector showing my new design;

FIG. 2 is a rear view thereof;

FIG. 3 is a top plan view thereof;

FIG. 4 is a bottom view thereof;

FIG. 5 is a left side view thereof;

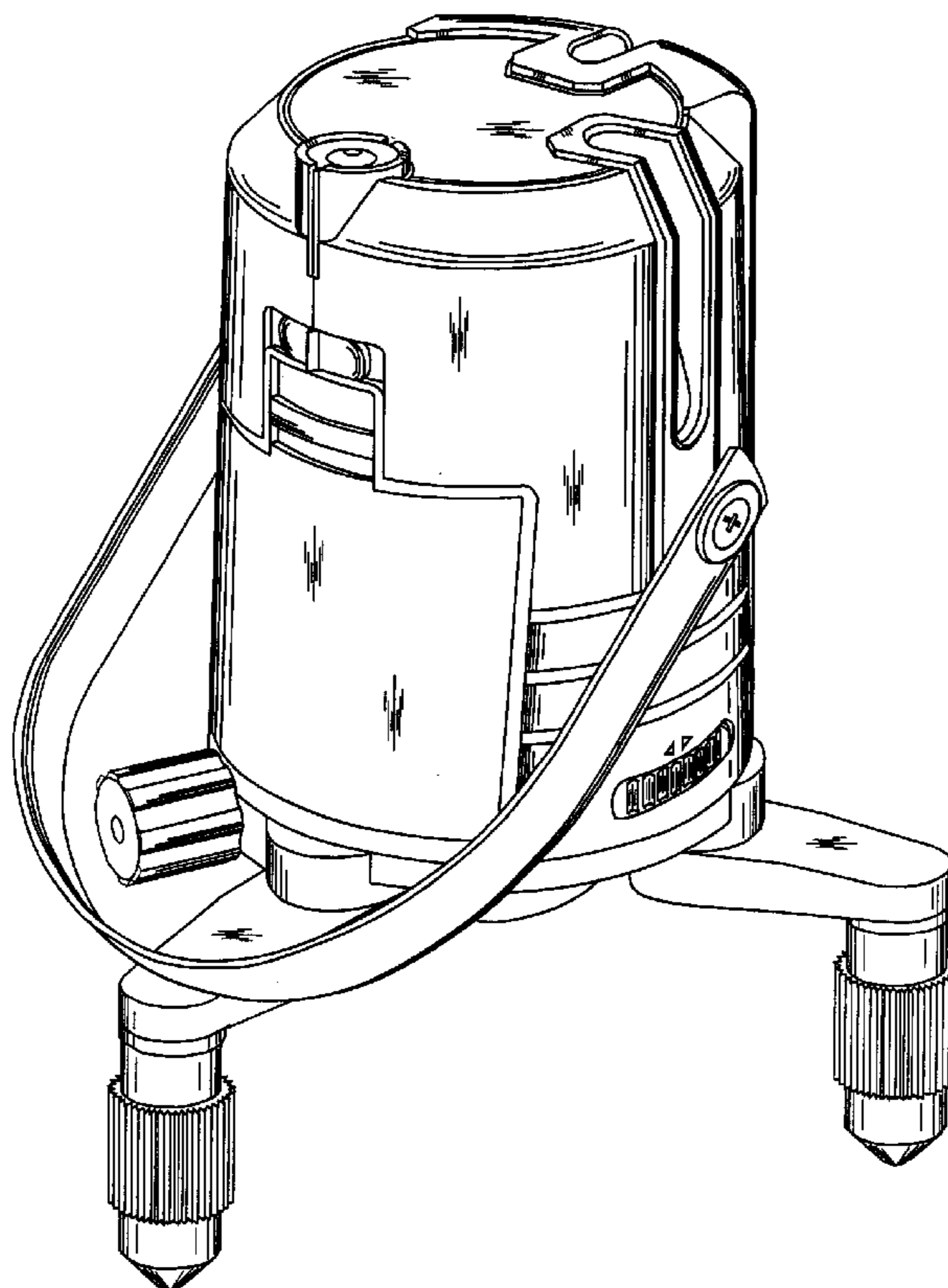
FIG. 6 is a right side view thereof;

FIG. 7 is a perspective view thereof, as seen from the front side;

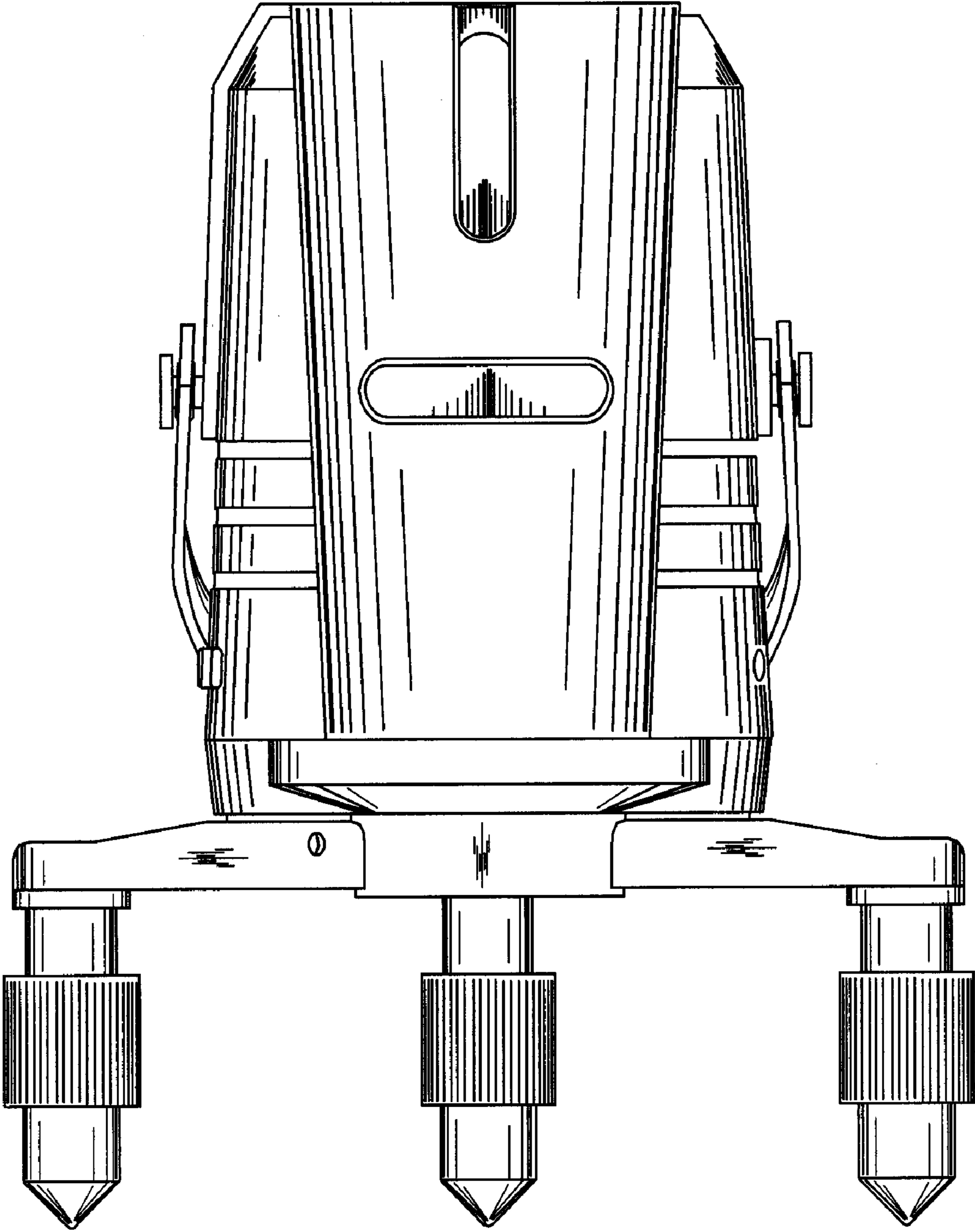
FIG. 8 is a perspective view thereof, as seen from the rear side; and,

FIG. 9 is a perspective view thereof, as seen from the front side, with the legs folded inside.

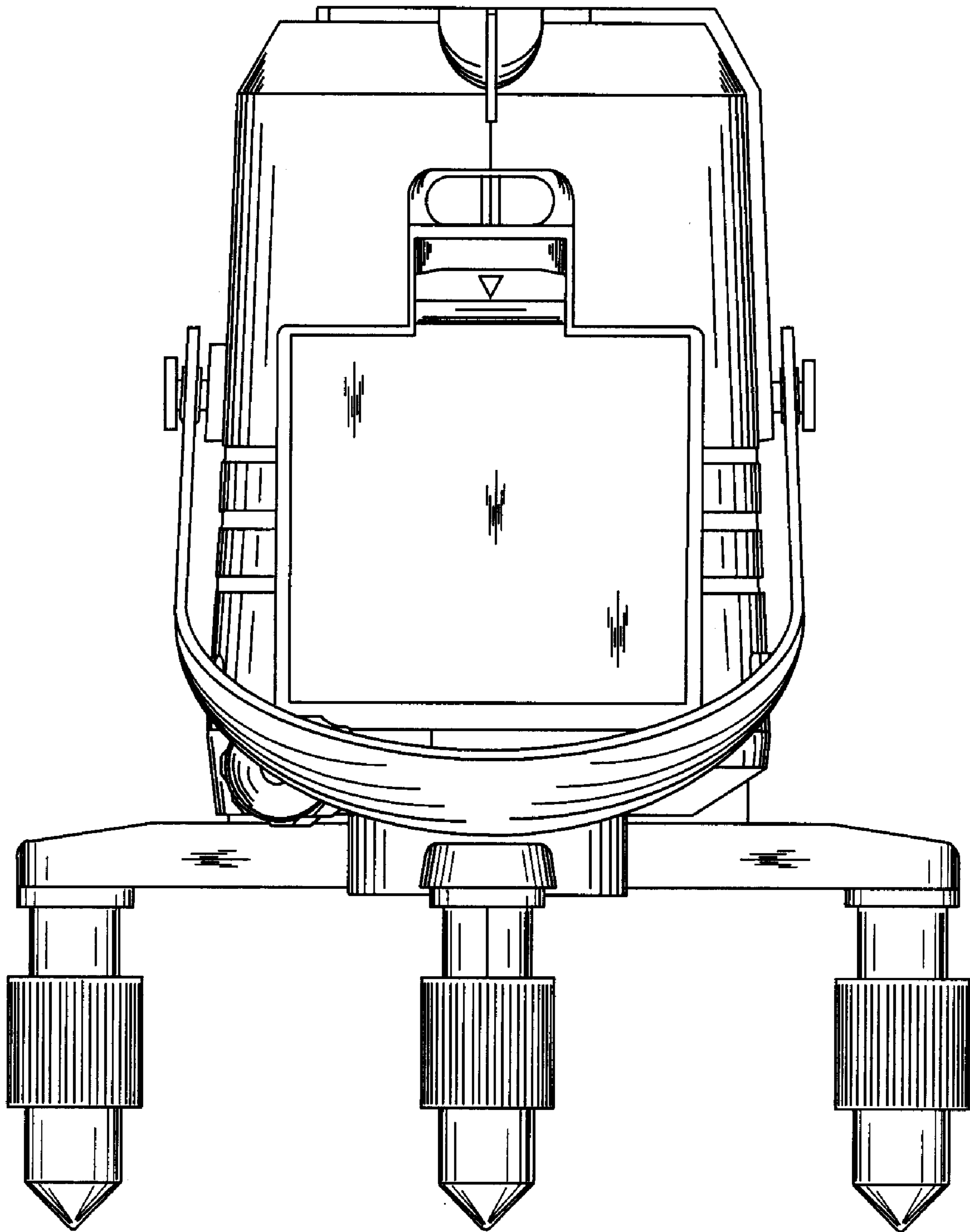
**1 Claim, 9 Drawing Sheets**



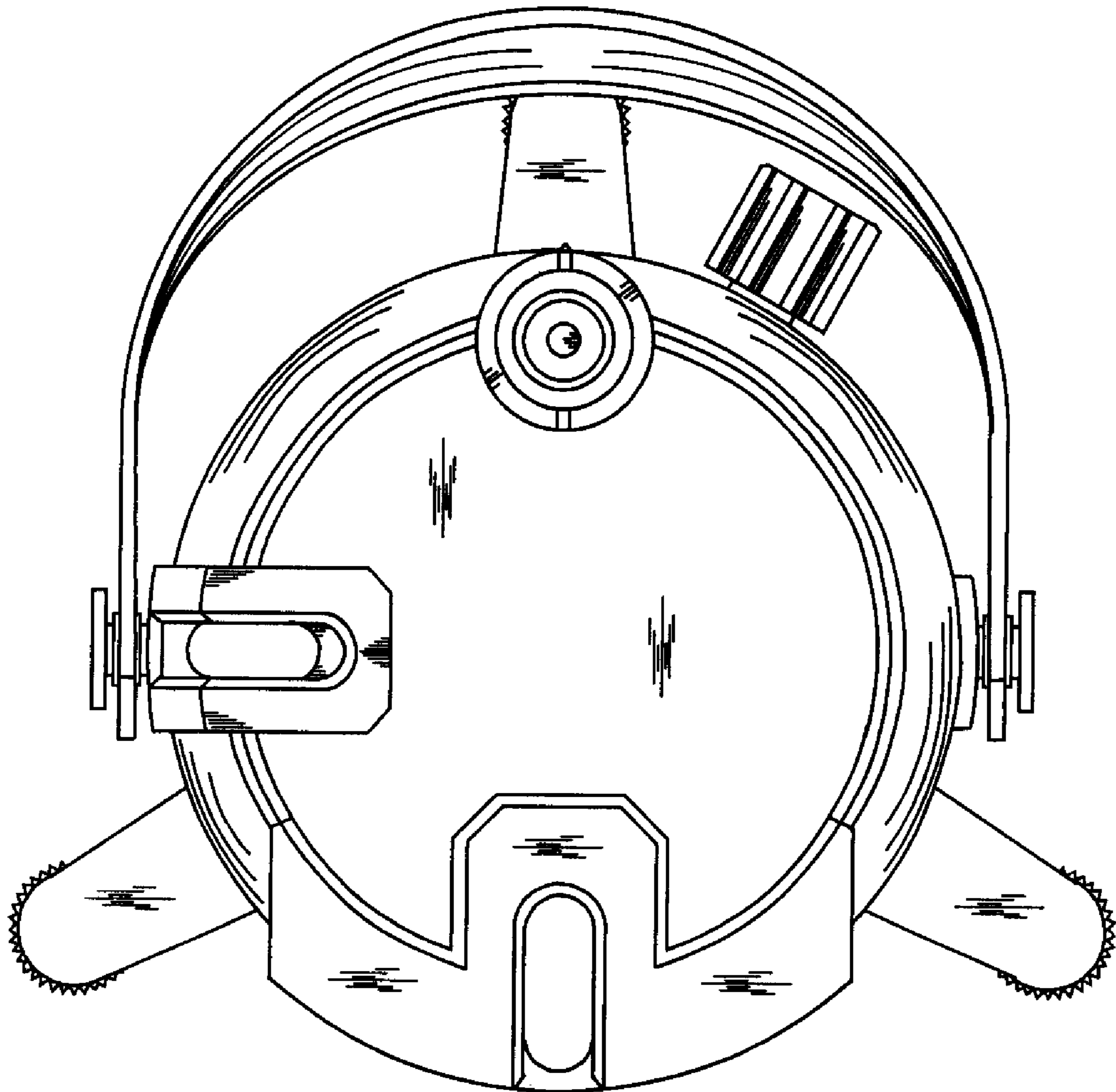
*FIG. 1*



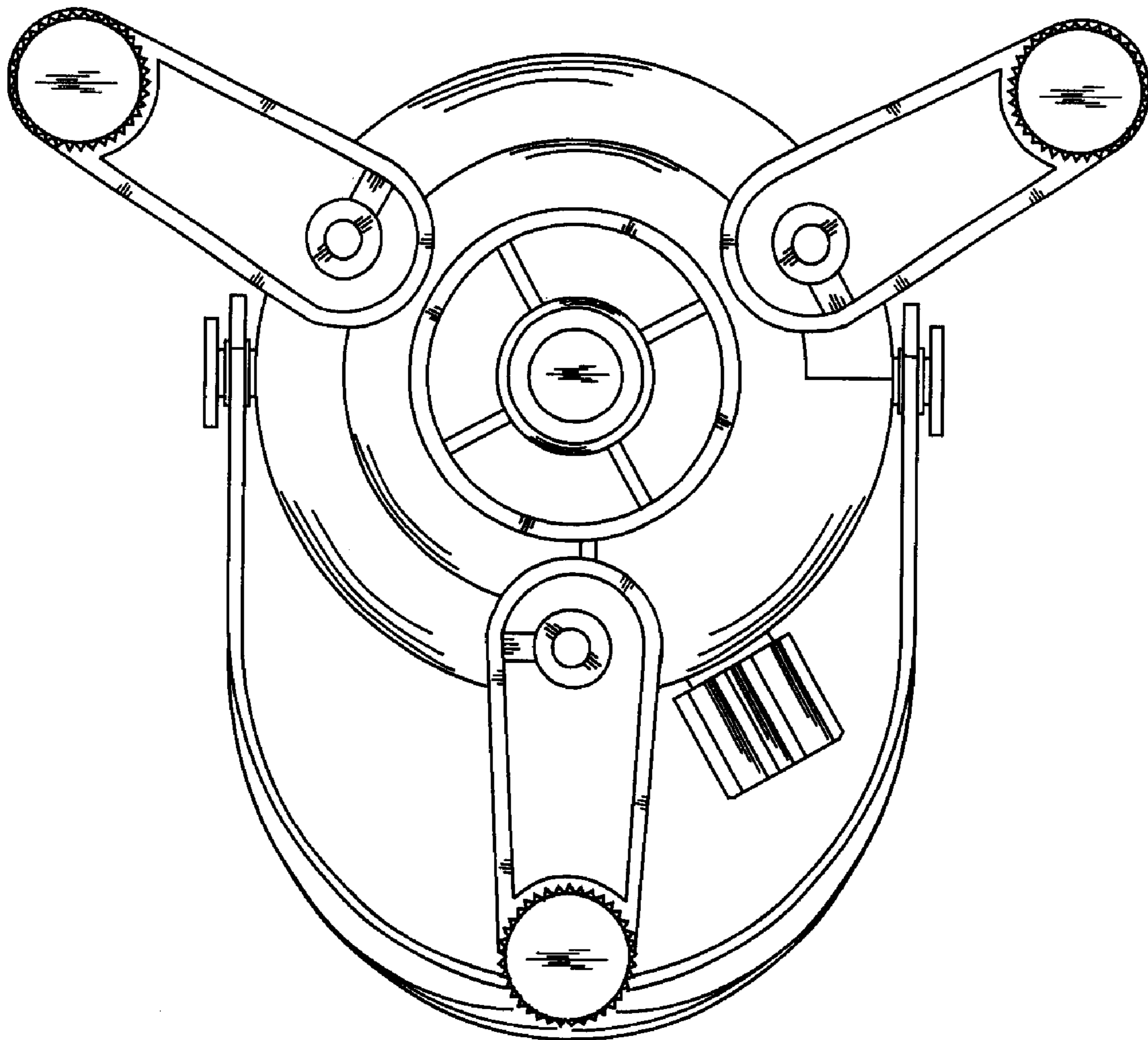
*FIG. 2*



**FIG. 3**

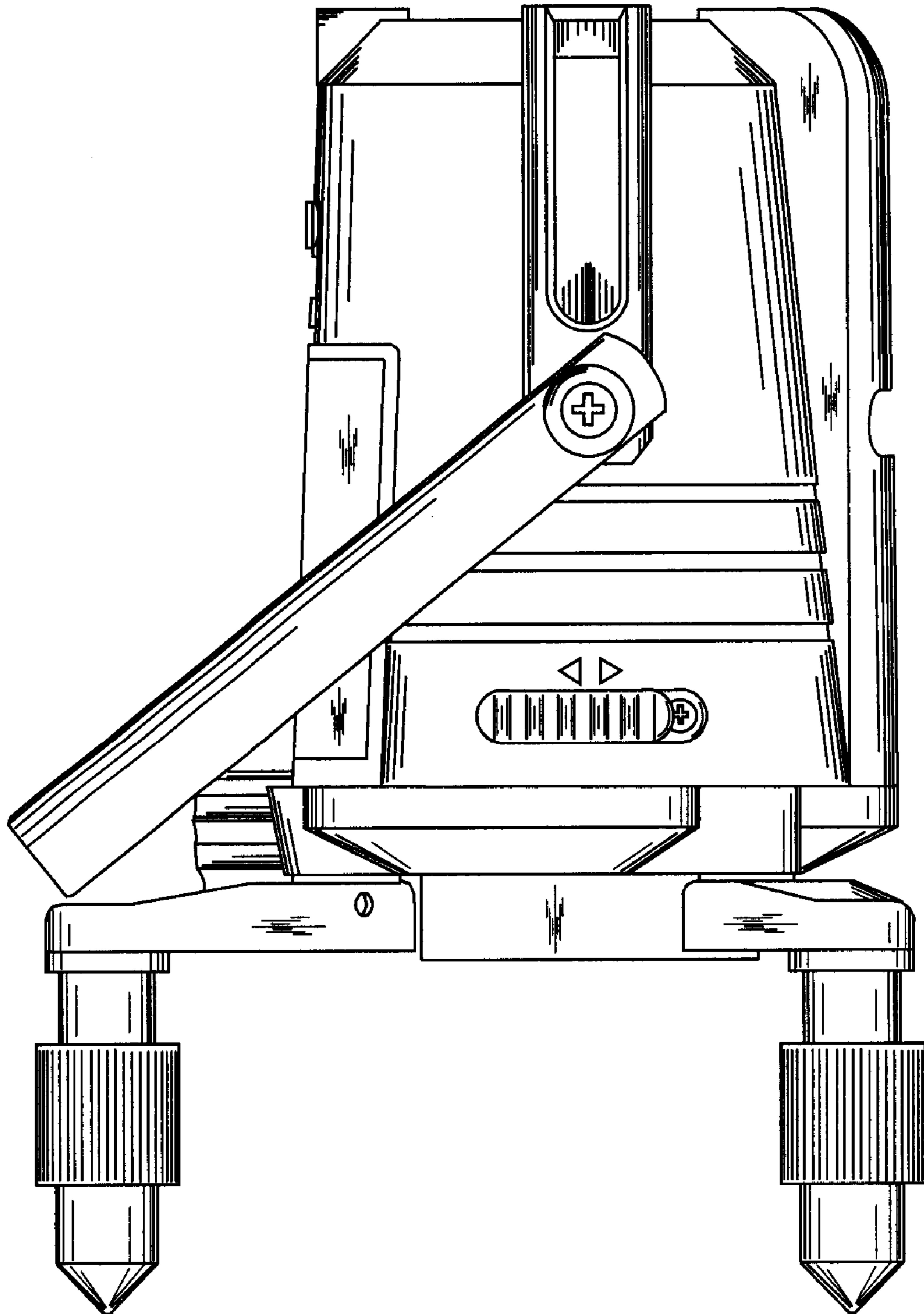


*FIG. 4*





*FIG. 5*



*FIG. 6*

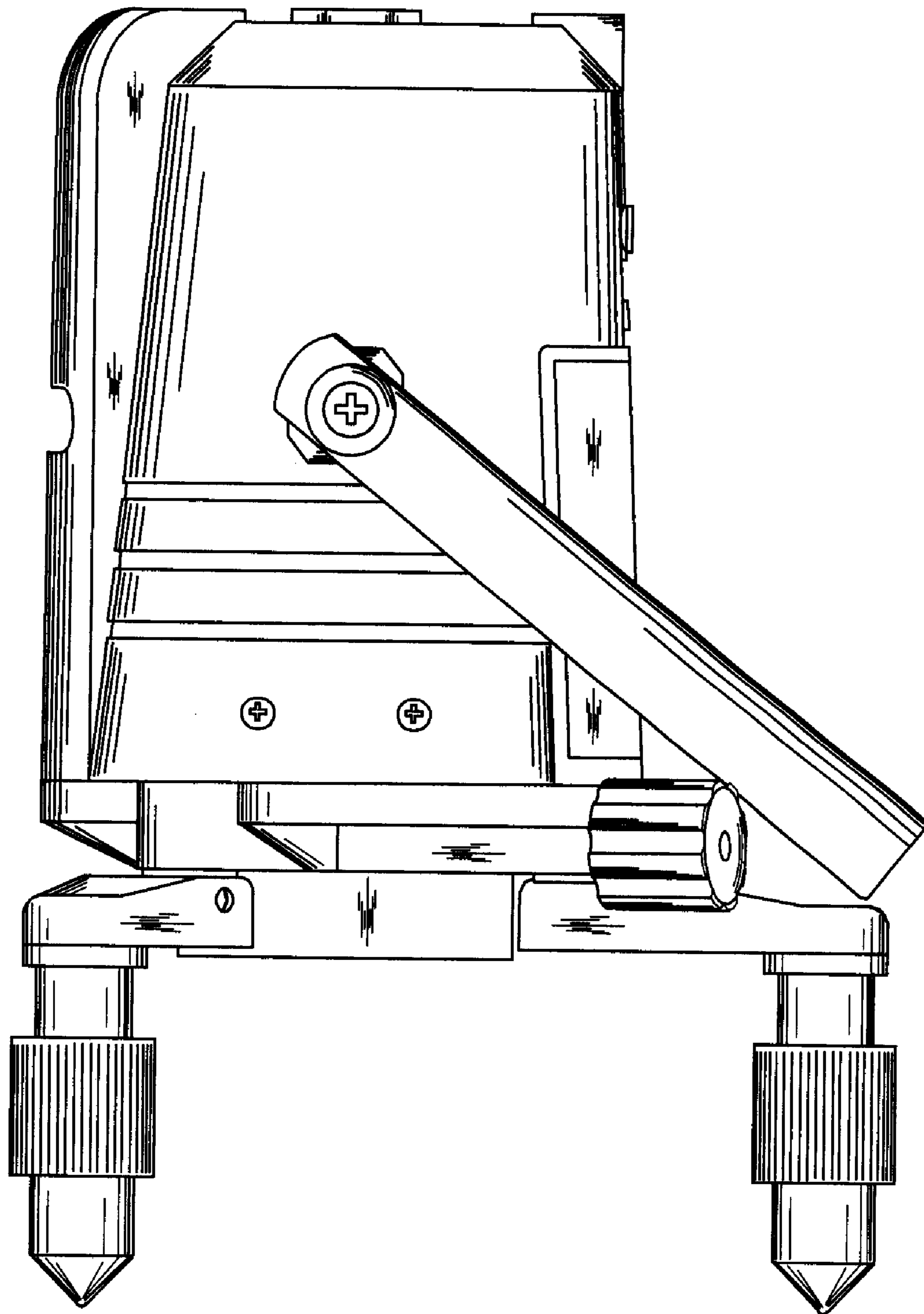


FIG. 7

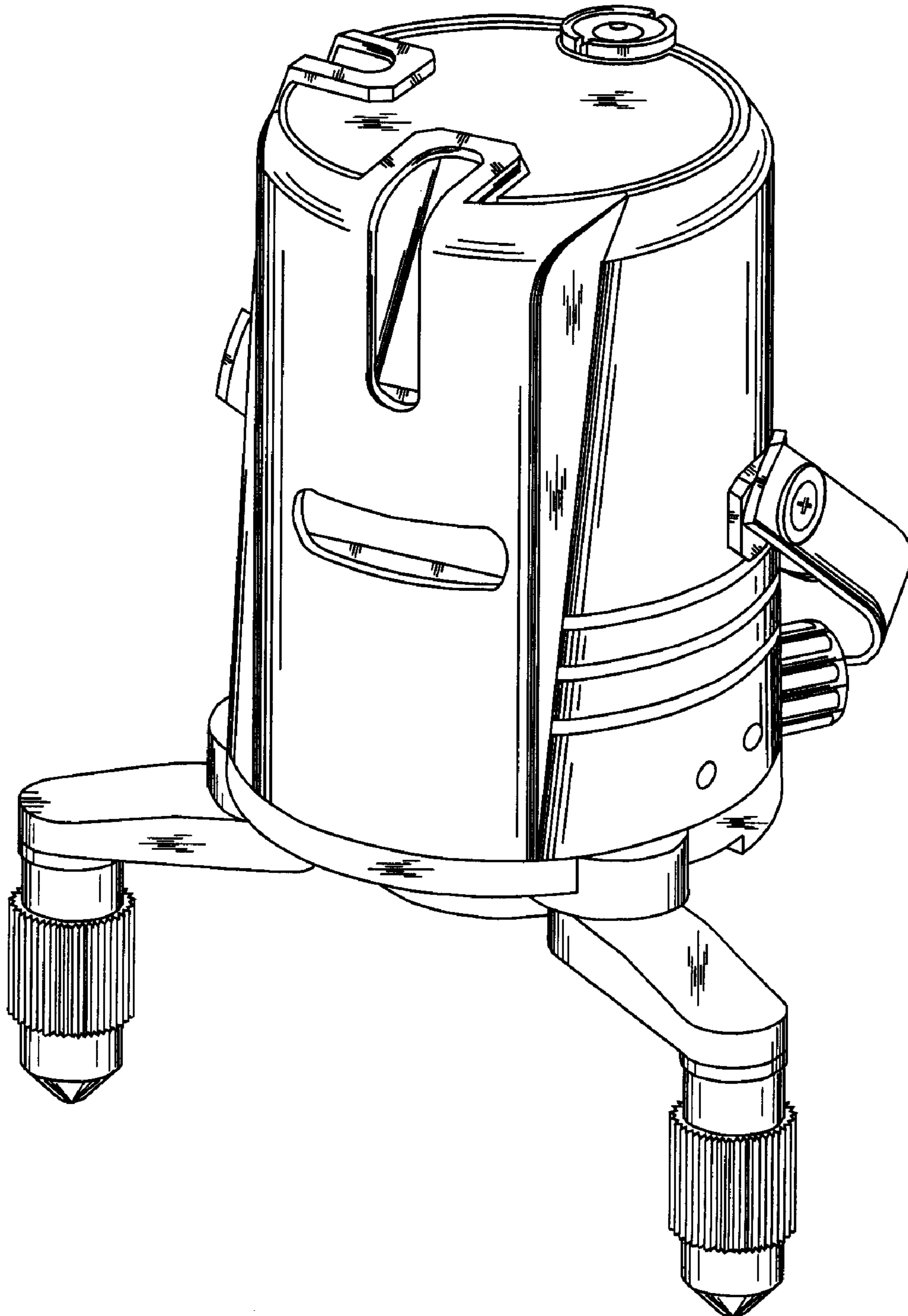
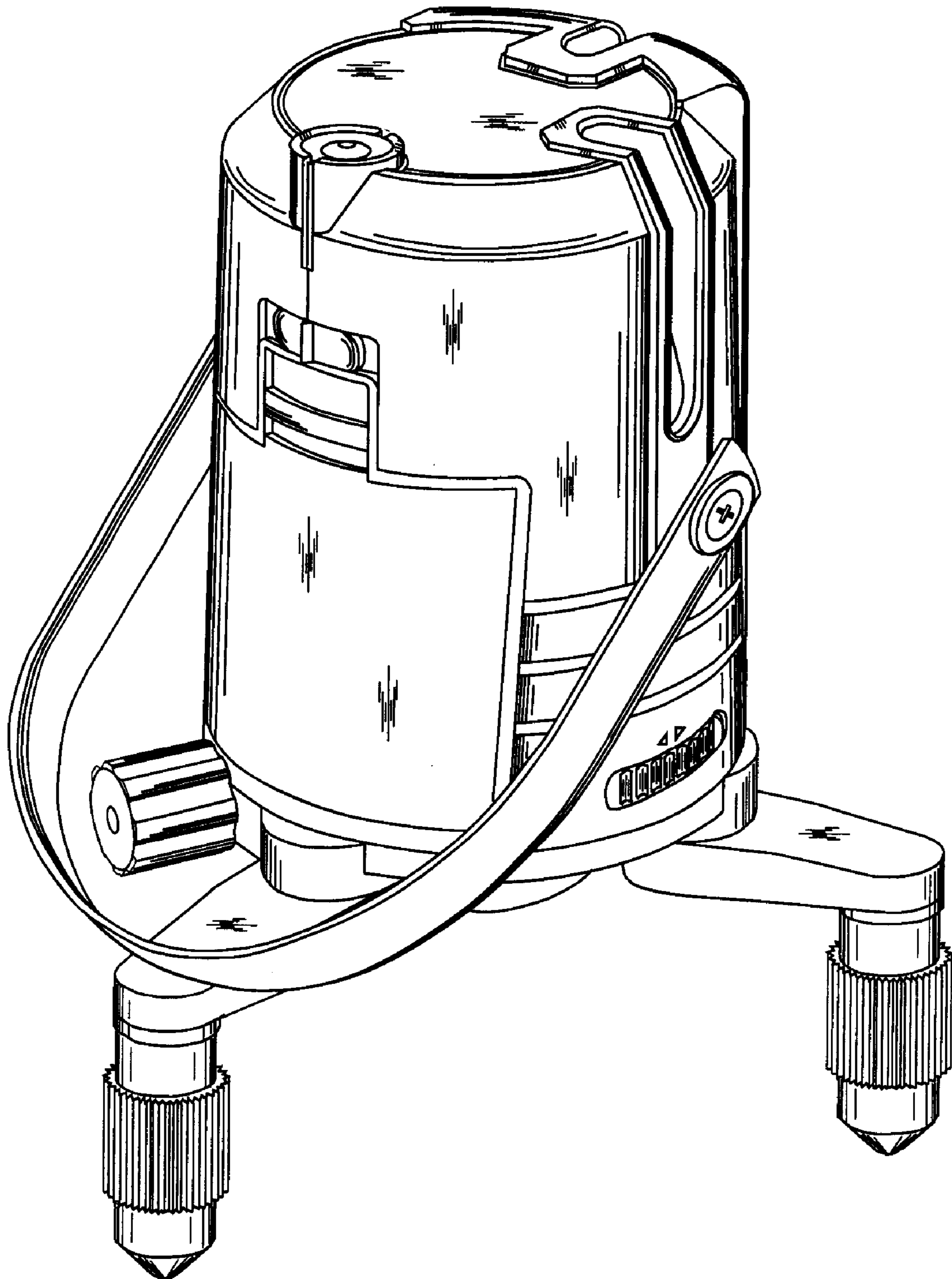




FIG. 8



*FIG. 9*

