



US00D542826S

(12) **United States Design Patent**
Ina et al.

(10) **Patent No.:** **US D542,826 S**

(45) **Date of Patent:** **** May 15, 2007**

(54) **ELECTRONIC CAMERA**

(75) Inventors: **Takao Ina**, Tokyo (JP); **Toshita Hara**, Tokyo (JP)

(73) Assignee: **Fuji Photo Film Co., Ltd.**, Kanagawa (JP)

(**) Term: **14 Years**

(21) Appl. No.: **29/236,527**

(22) Filed: **Aug. 18, 2005**

(30) **Foreign Application Priority Data**

Feb. 18, 2005 (JP) 2005-004484

(51) **LOC (8) Cl.** **16-05**

(52) **U.S. Cl.** **D16/219**

(58) **Field of Classification Search** D16/200-204,
D16/208, 218, 219; 348/373-376; 396/535-541,
396/281, 284, 290, 292, 206, 209, 286-287,
396/237

See application file for complete search history.

(56) **References Cited**

U.S. PATENT DOCUMENTS

- 5,666,186 A * 9/1997 Meyerhoefer et al. 396/281
- D435,572 S * 12/2000 Maeyama D16/202
- D441,001 S * 4/2001 Naito D16/218
- D478,109 S 8/2003 Tanaka

- D482,379 S * 11/2003 Utsunomiya D16/219
- D486,171 S * 2/2004 Nishiura D16/219
- D486,848 S * 2/2004 Yamamoto D16/219
- D503,182 S * 3/2005 Ogura D16/202
- D508,711 S * 8/2005 Suzuki D16/218
- 2004/0264952 A1 * 12/2004 Oeda et al. 396/287
- 2006/0210263 A1 * 9/2006 Oh 396/287

* cited by examiner

Primary Examiner—Ian Simmons

Assistant Examiner—W. Laymon

(74) *Attorney, Agent, or Firm*—Young & Thompson

(57) **CLAIM**

The ornamental design for an electronic camera, as shown and described.

DESCRIPTION

FIG. 1 is a top, rear and side perspective view of an electronic camera showing our new design;

FIG. 2 is a rear elevational view thereof, with the switch panel shown in a lower position;

FIG. 3 is a side elevational view thereof from the right of FIG. 2; and,

FIG. 4 is a rear elevational view thereof, with the switch panel shown in an upper position.

The portions of the electronic camera in broken lines are shown for illustrative purposes only and form no part of the claimed design.

1 Claim, 3 Drawing Sheets

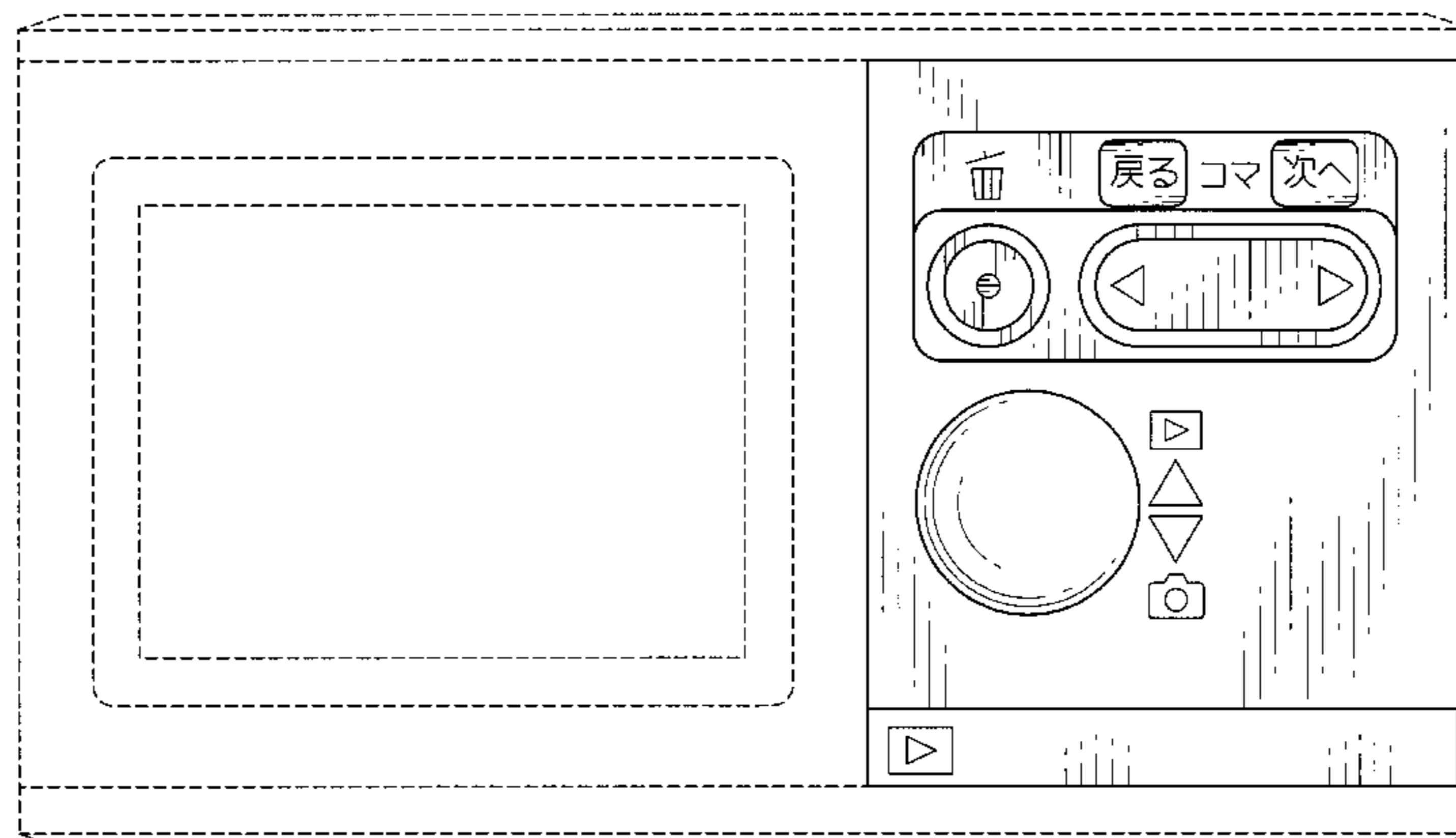
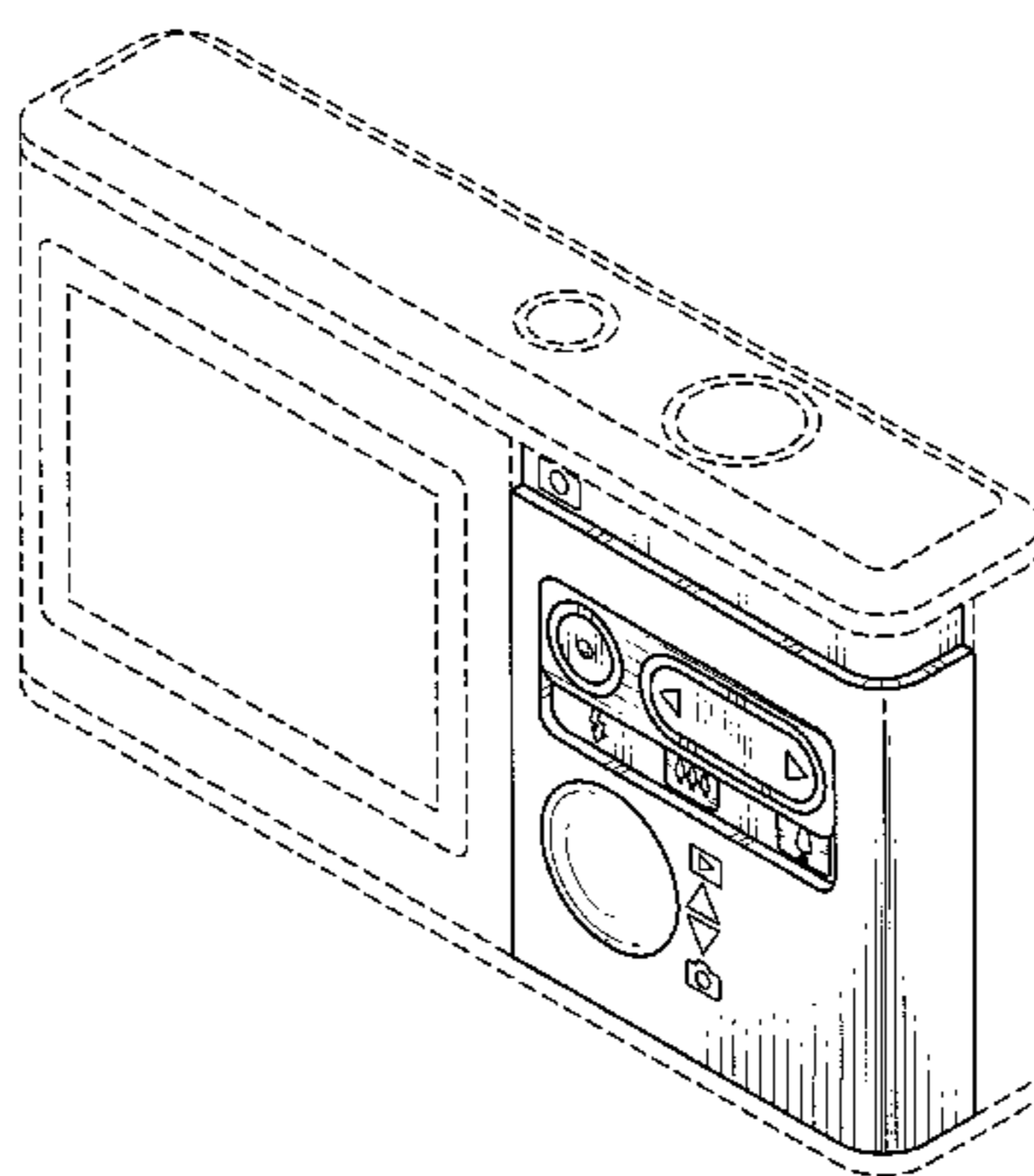


FIG. 1

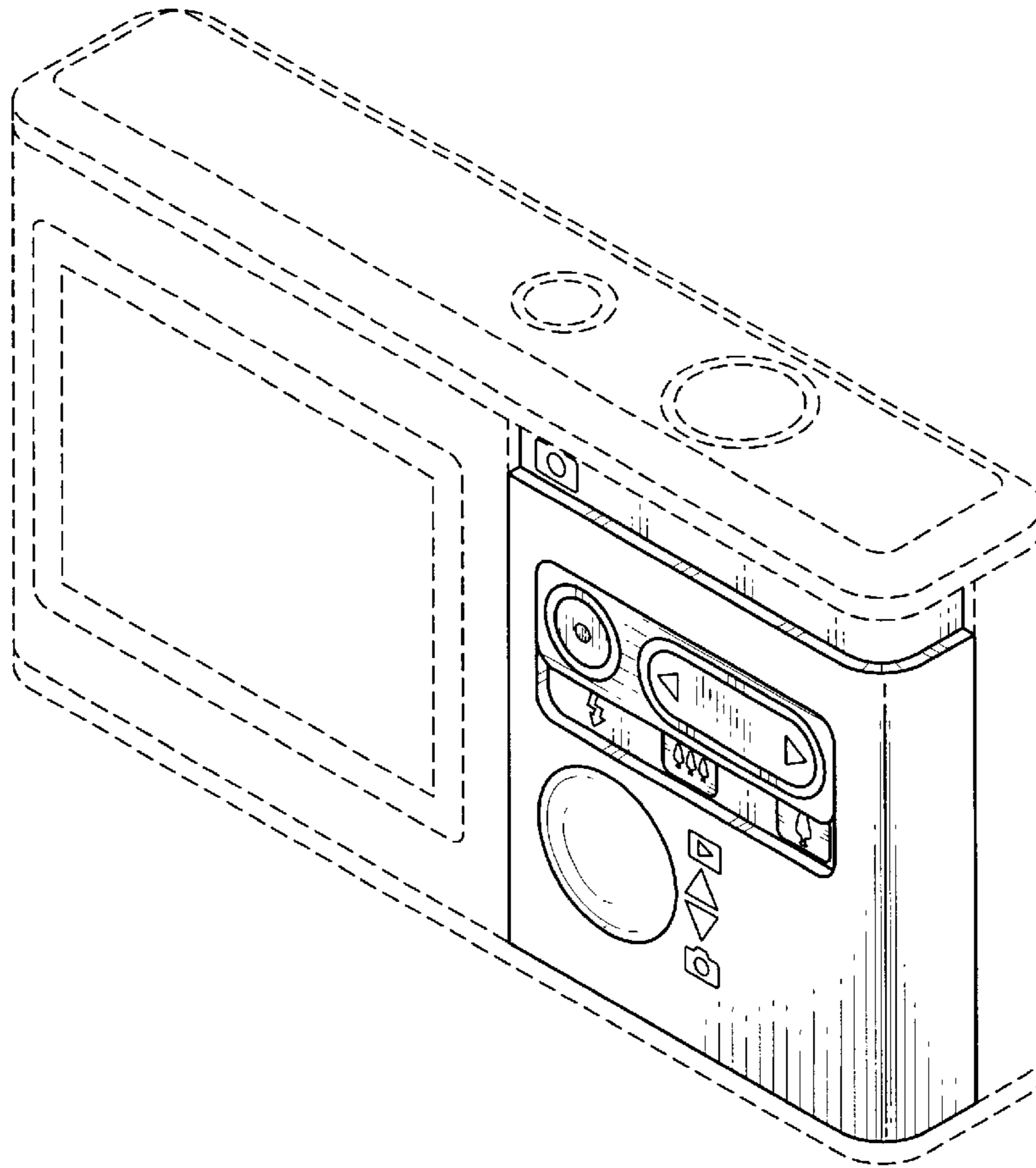


FIG. 2

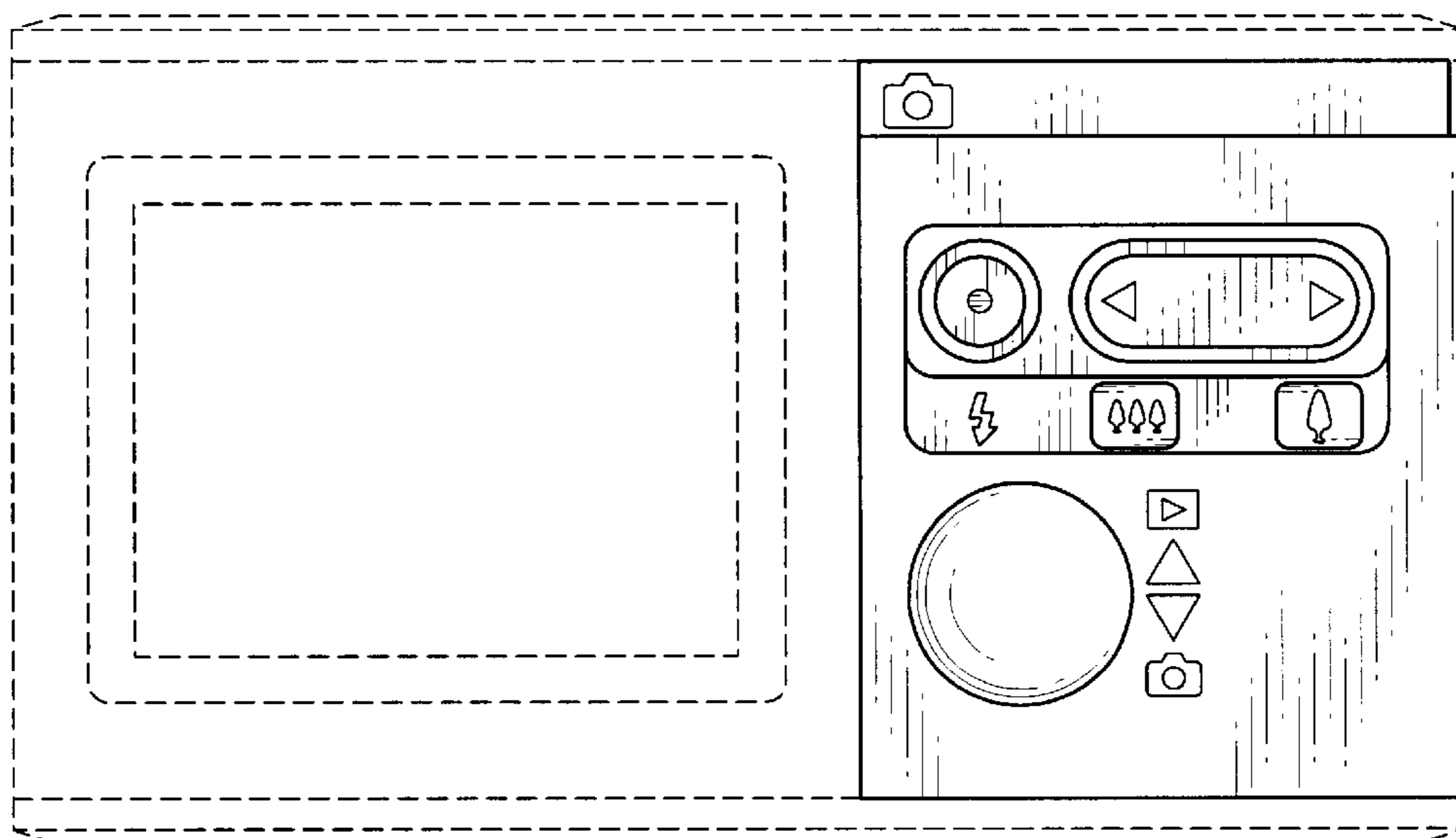


FIG. 3

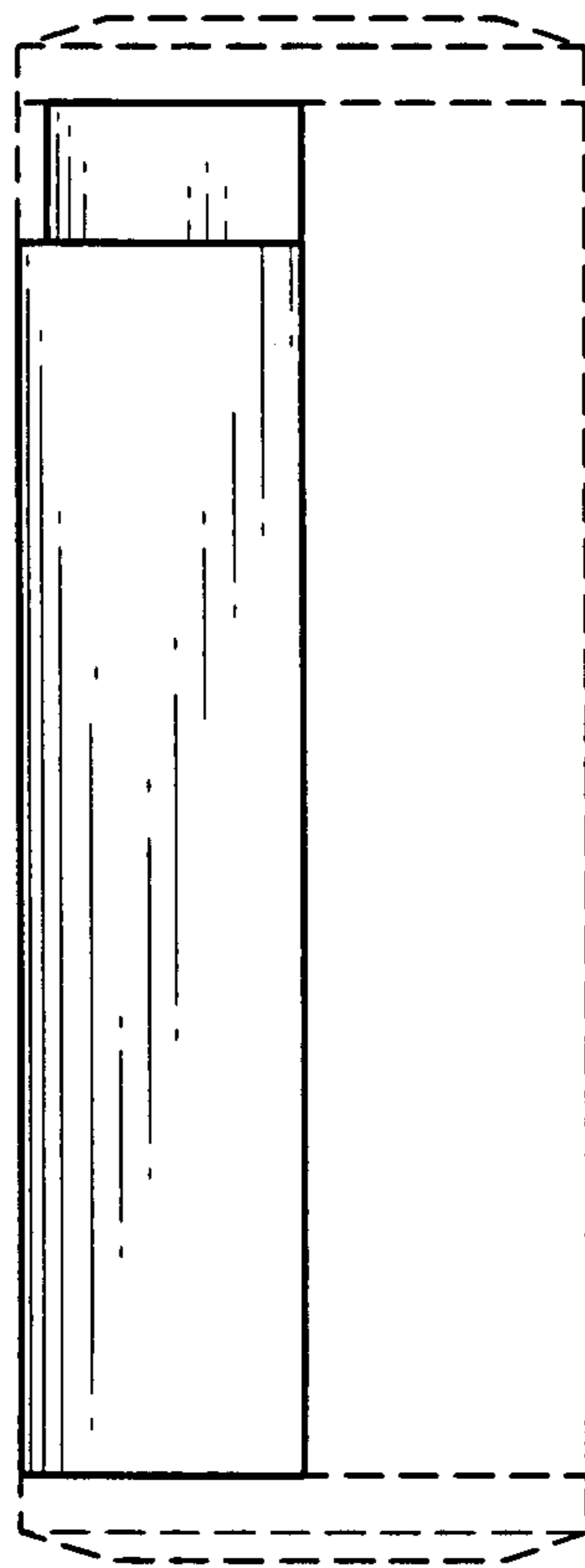


FIG. 4

