



US00D542825S

(12) **United States Design Patent**
Haga

(10) **Patent No.:** **US D542,825 S**

(45) **Date of Patent:** **** May 15, 2007**

(54) **DIGITAL SINGLE-LENS REFLEX CAMERA**

D514,610 S * 2/2006 Urushihata D16/202
D524,346 S * 7/2006 Haga D16/202

(75) Inventor: **Masaaki Haga**, Tokyo (JP)

FOREIGN PATENT DOCUMENTS

(73) Assignee: **PENTAX Corporation**, Tokyo (JP)

JP D685978 S 8/1986

(**) Term: **14 Years**

OTHER PUBLICATIONS

(21) Appl. No.: **29/238,030**

U.S. Appl. No. 29/238,028, Masaaki Haga, filed Sep. 12, 2005.

(22) Filed: **Sep. 12, 2005**

U.S. Appl. No. 29/238,029, Masaaki Haga, filed Sep. 12, 2005.

(30) **Foreign Application Priority Data**

Mar. 15, 2005 (JP) 2005-007690

* cited by examiner

(51) **LOC (8) Cl.** **16-01**

Primary Examiner—Adir Aronovich

(52) **U.S. Cl.** **D16/217; D16/202**

(74) *Attorney, Agent, or Firm*—Sughrue Mion, PLLC

(58) **Field of Classification Search** D16/200–206,
D16/208, 216, 217, 218; 348/373–376; 358/909.1;
396/176, 177, 354–359, 535–541

(57) **CLAIM**

See application file for complete search history.

The ornamental design for a digital single-lens reflex camera, as shown.

DESCRIPTION

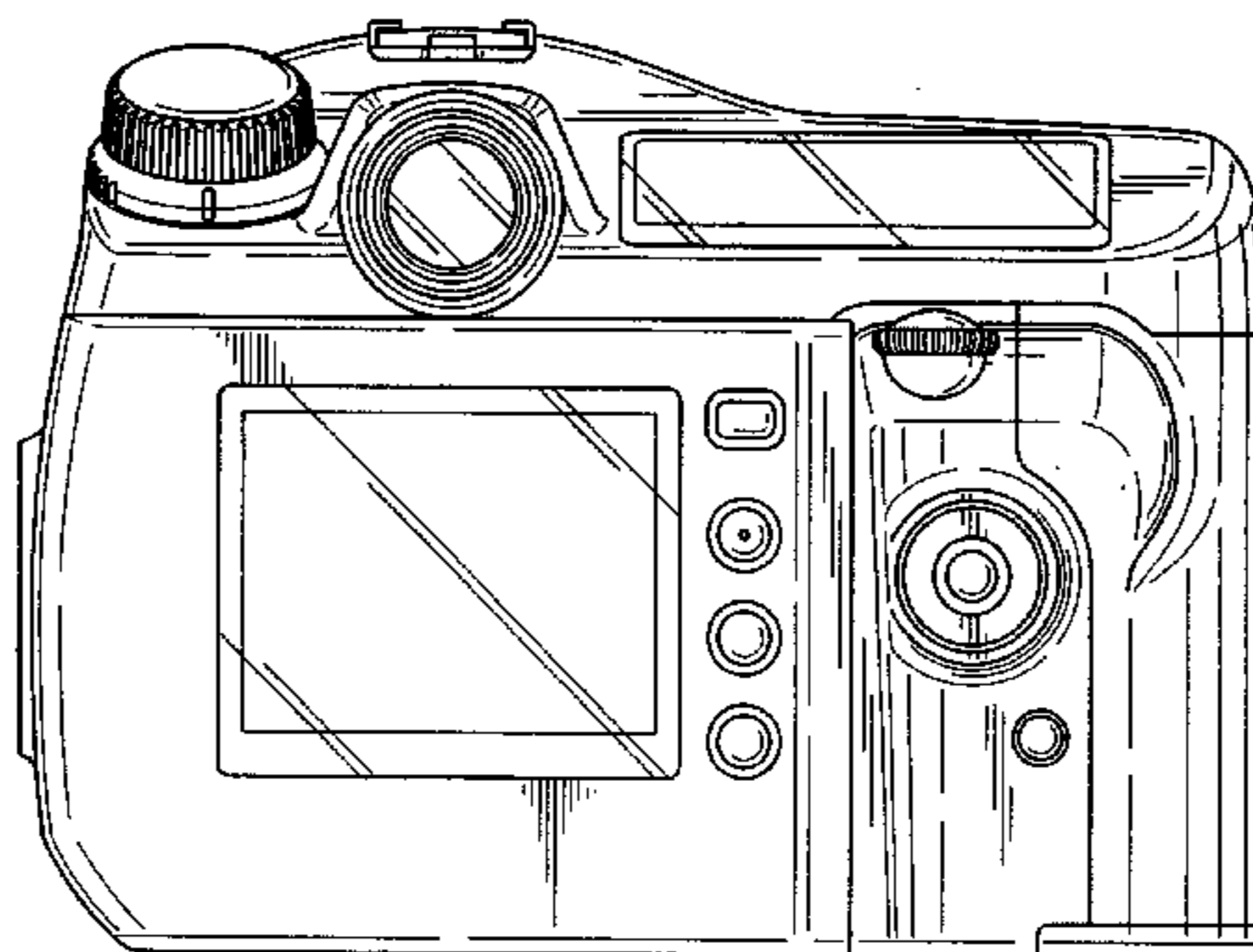
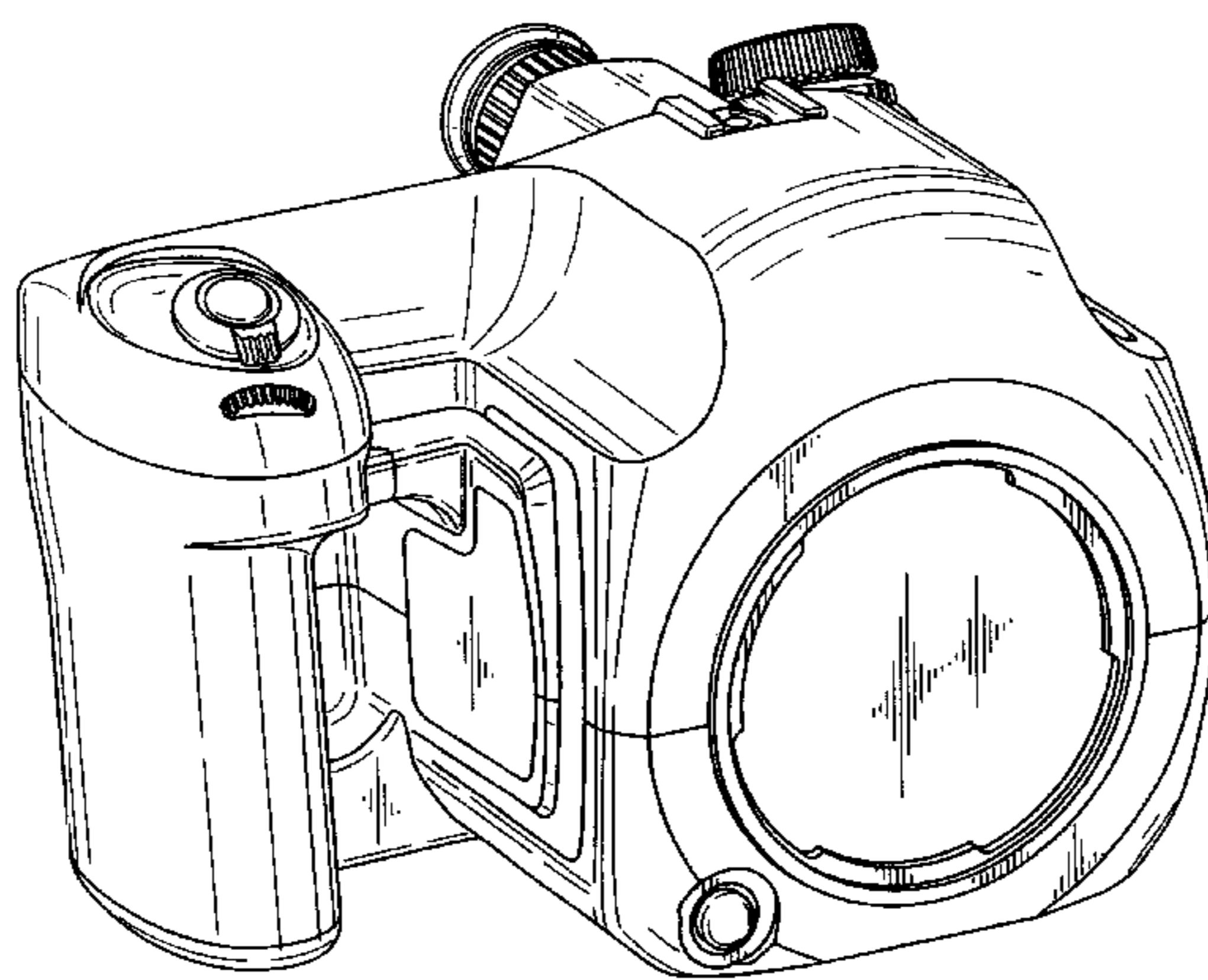
(56) **References Cited**

U.S. PATENT DOCUMENTS

5,253,003 A * 10/1993 Fujii et al. 396/176
D411,218 S * 6/1999 Kumakura et al. D16/217
D415,513 S 10/1999 Fujii
6,351,609 B1 * 2/2002 Hosokawa et al. 396/177
D474,796 S * 5/2003 Matsuda D16/217
D482,713 S * 11/2003 Hayashi D16/217
D493,809 S * 8/2004 Ogura D16/202
D497,173 S * 10/2004 Ogura D16/202

FIG. 1 is a perspective view of the top, front and left side of a digital single-lens reflex camera showing my new design; FIG. 2 is a front elevational view thereof; FIG. 3 is a rear elevational view thereof; FIG. 4 is a right side elevational view thereof; FIG. 5 is a left side elevational view thereof; FIG. 6 is a top plan view thereof; and, FIG. 7 is a bottom plan view thereof.

1 Claim, 4 Drawing Sheets



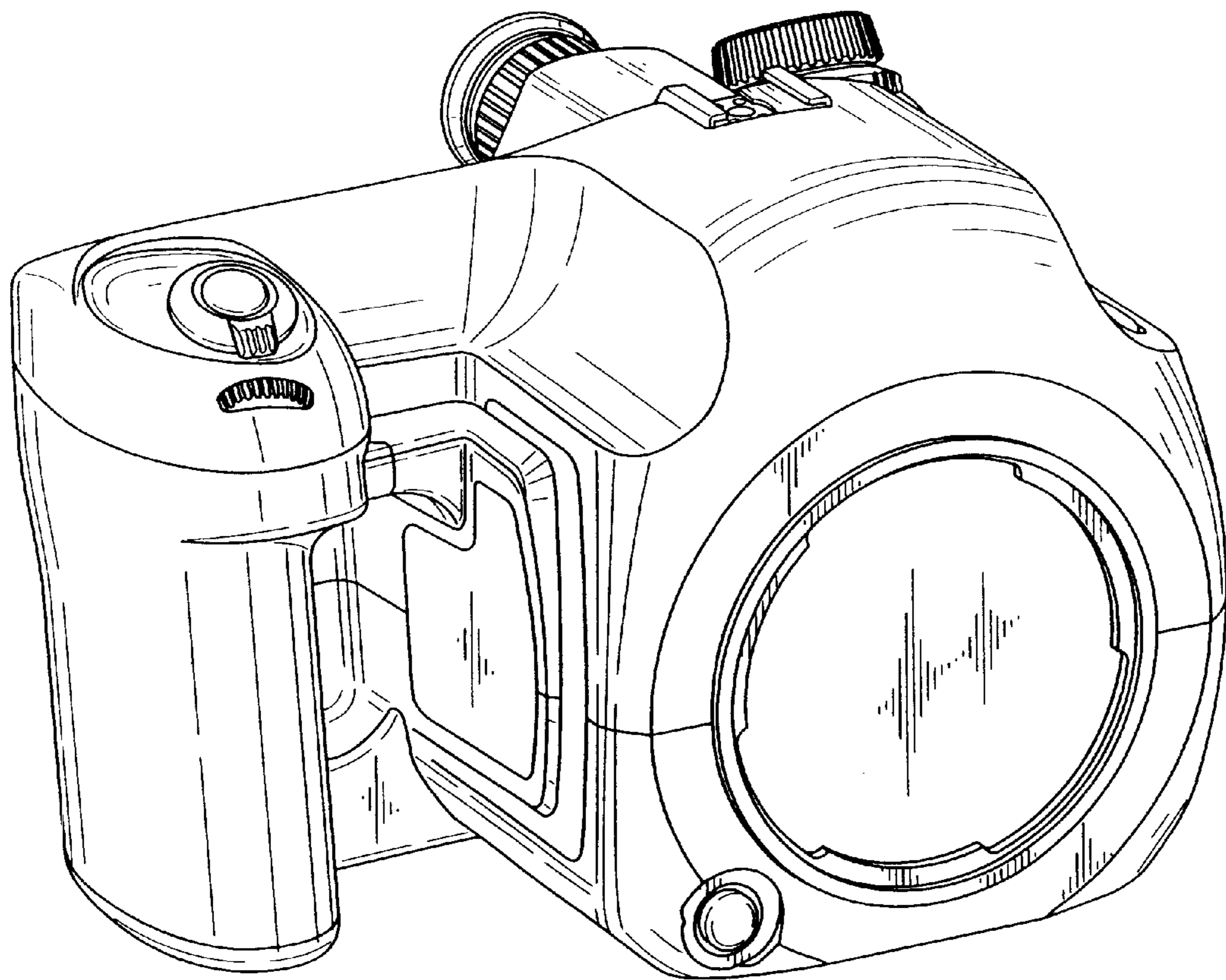


FIG. 1

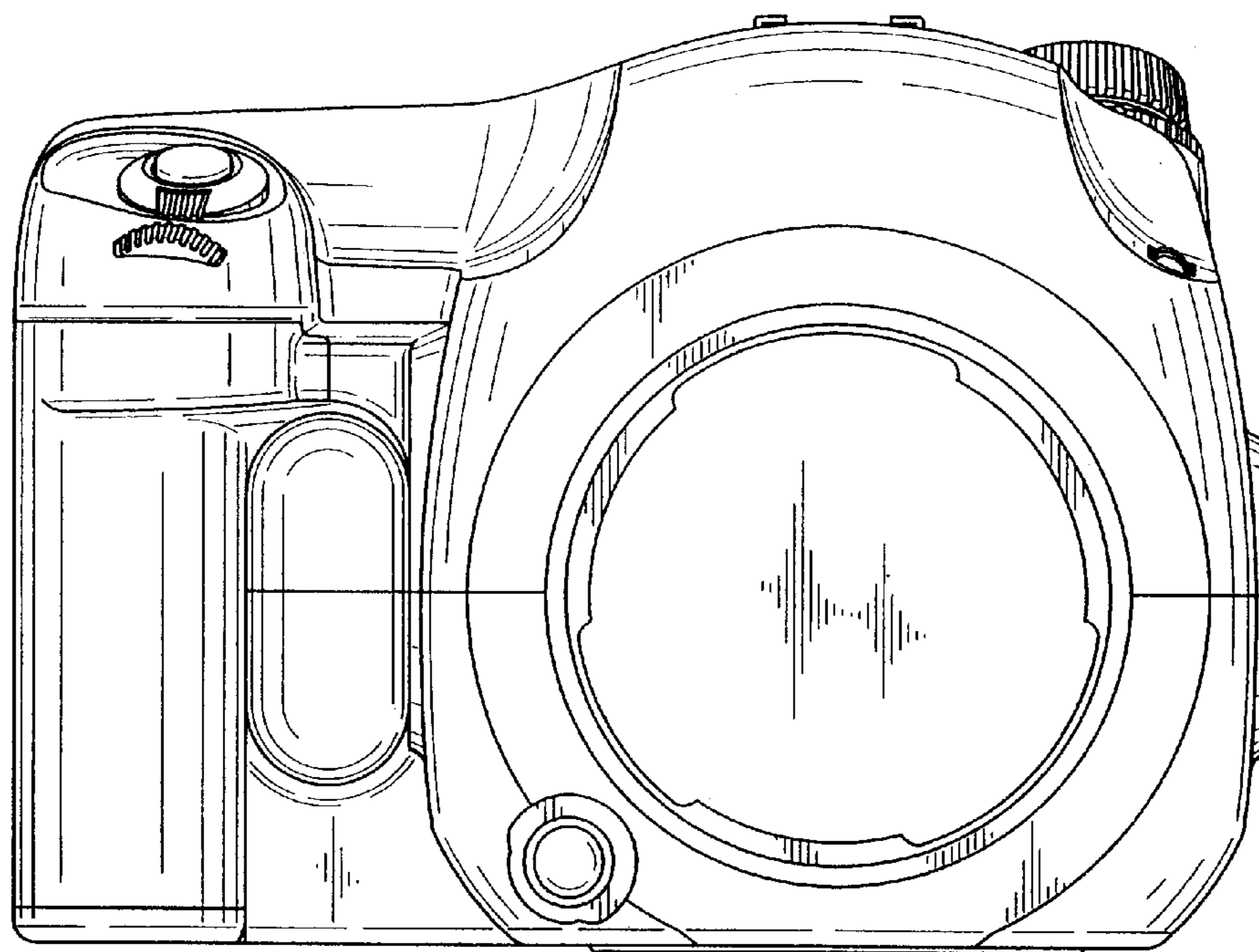


FIG. 2

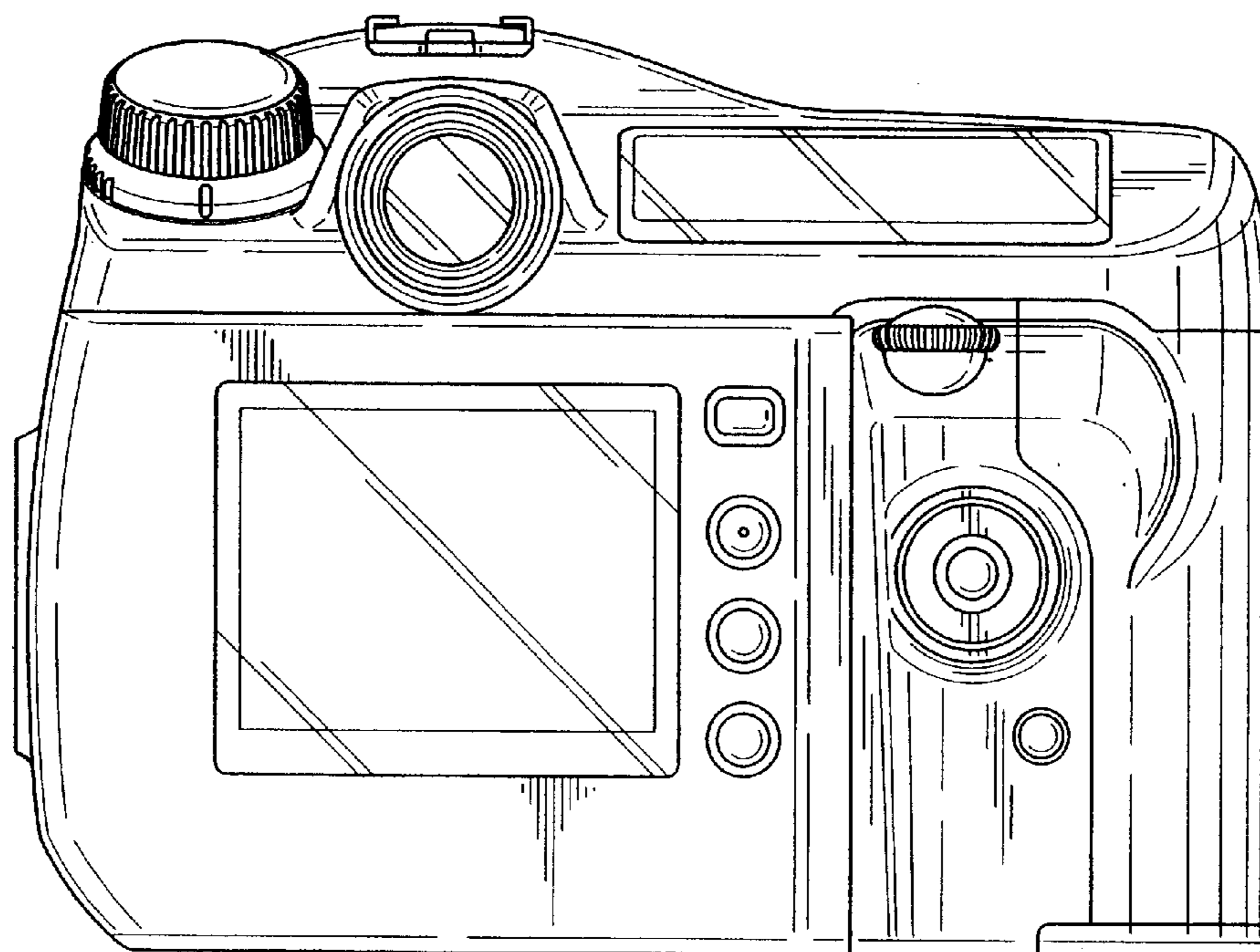


FIG. 3

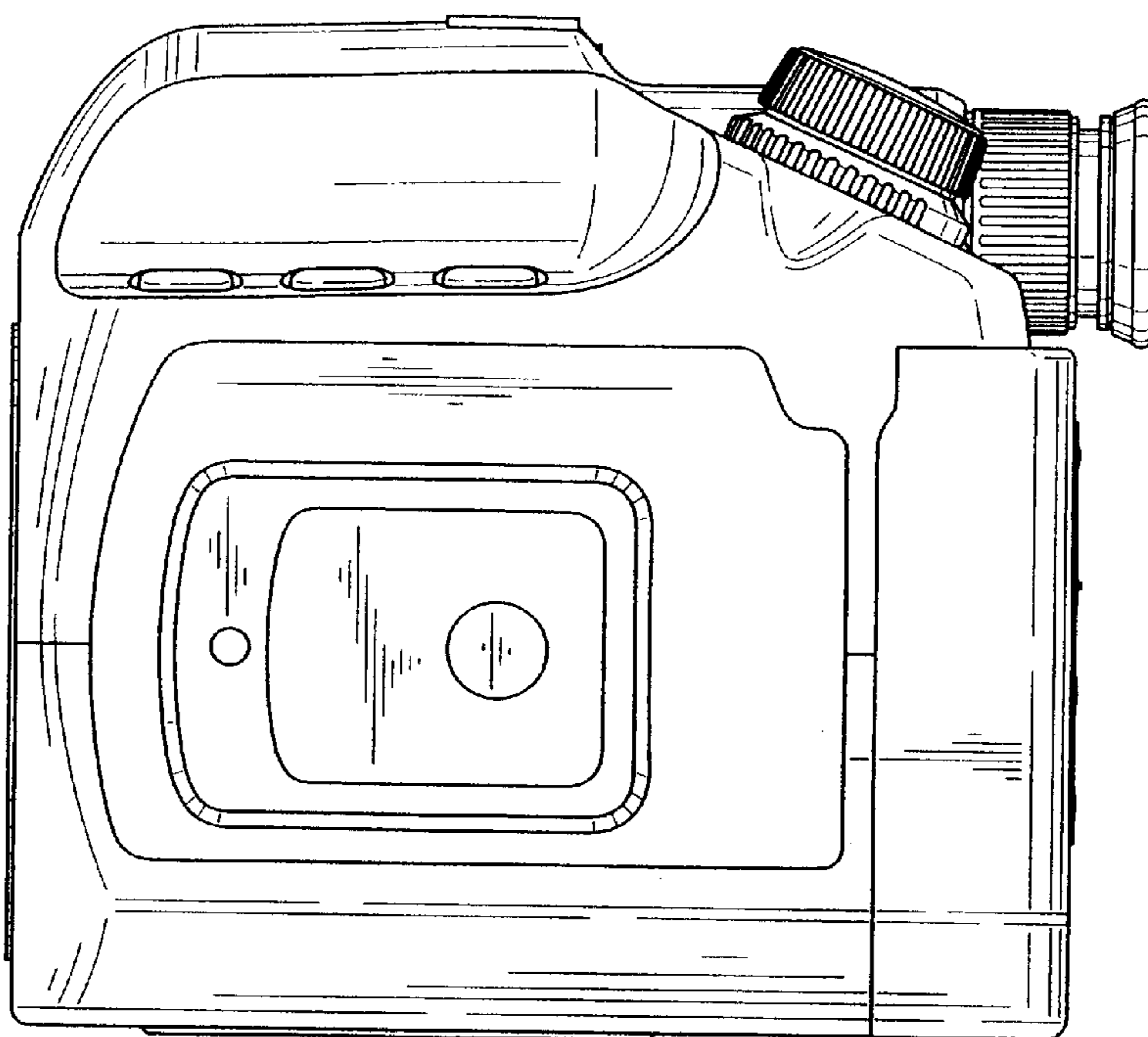


FIG. 4

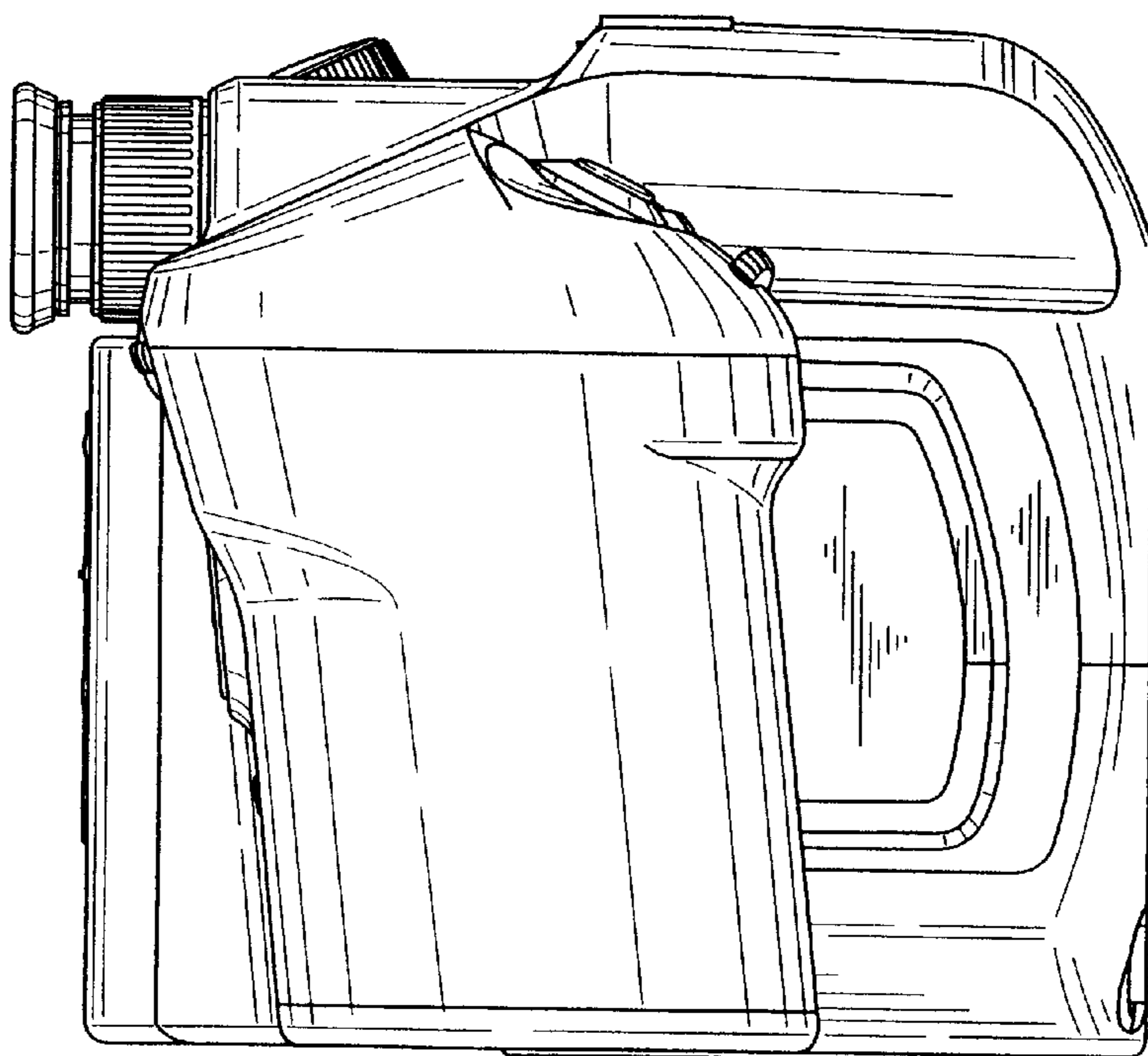


FIG. 5

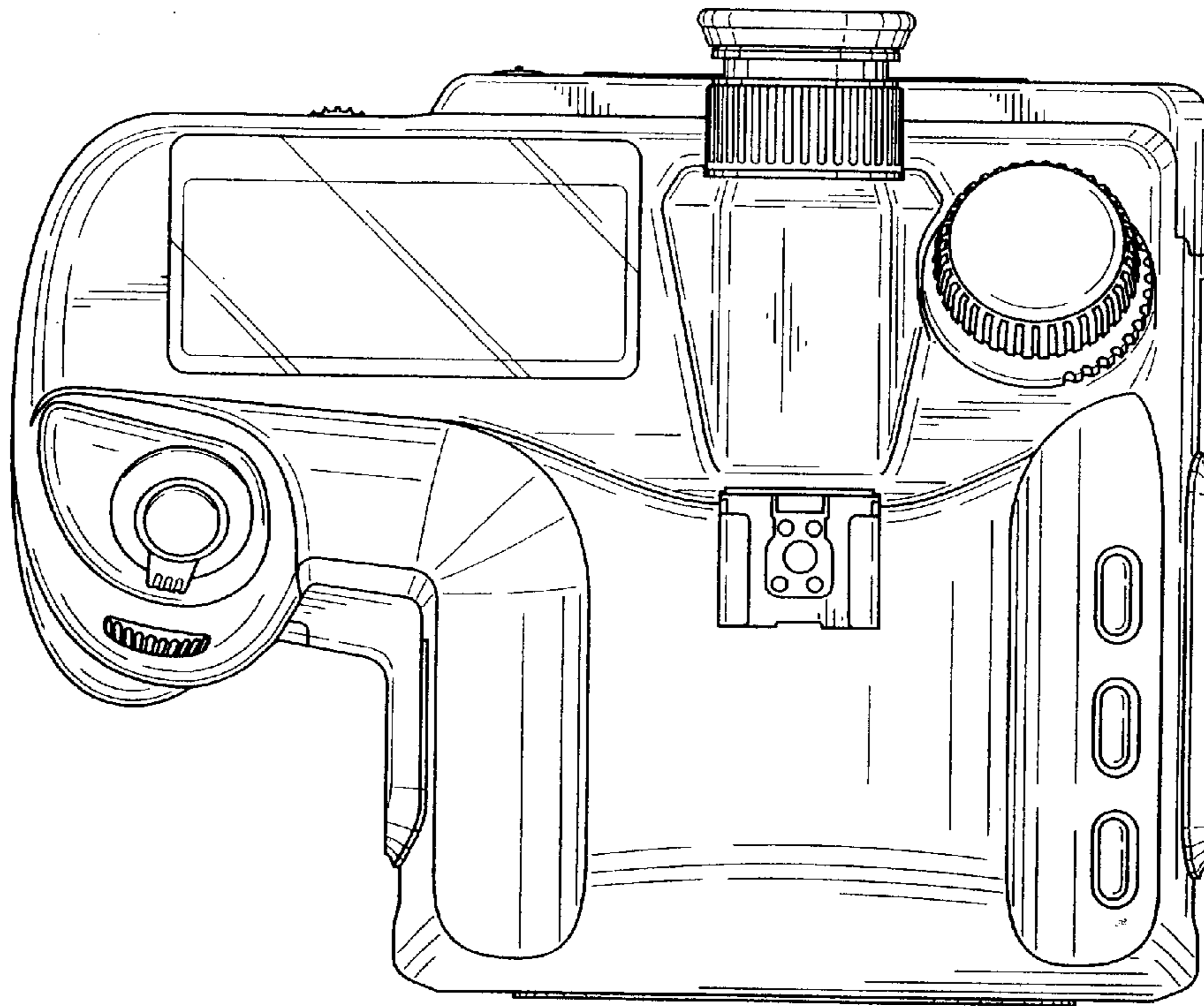


FIG. 6

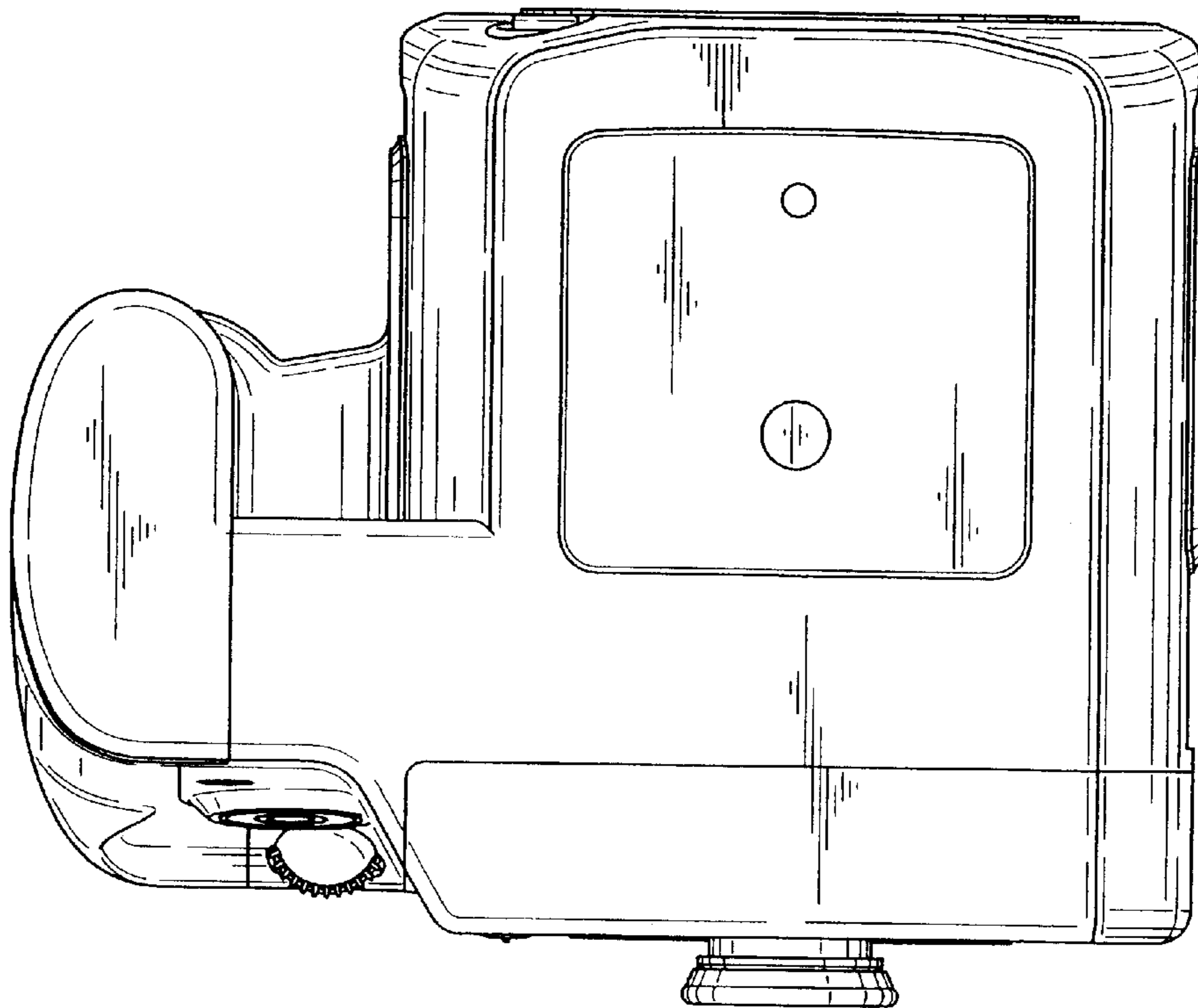


FIG. 7