



US00D542824S

(12) **United States Design Patent**
Haga

(10) **Patent No.:** **US D542,824 S**

(45) **Date of Patent:** **** May 15, 2007**

(54) **DIGITAL SINGLE-LENS REFLEX CAMERA**

D514,610 S * 2/2006 Urushihata D16/202
D524,346 S * 7/2006 Haga D16/202

(75) Inventor: **Masaaki Haga**, Tokyo (JP)

FOREIGN PATENT DOCUMENTS

(73) Assignee: **PENTAX Corporation**, Tokyo (JP)

JP D685978 S 8/1986

(**) Term: **14 Years**

OTHER PUBLICATIONS

(21) Appl. No.: **29/238,029**

U.S. Appl. No. 29/238,030, filed Sep. 12, 2005, Masaaki Haga.

(22) Filed: **Sep. 12, 2005**

U.S. Appl. No. 29/238,028, filed Sep. 12, 2005, Masaaki Haga.

(30) **Foreign Application Priority Data**

Mar. 15, 2005 (JP) 2005-007689

* cited by examiner

(51) **LOC (8) Cl.** **16-01**

Primary Examiner—Adir Aronovich

(52) **U.S. Cl.** **D16/217**; D16/202

(74) *Attorney, Agent, or Firm*—Sughrue Mion, PLLC

(58) **Field of Classification Search** D16/200–206,
D16/208, 216, 217, 218; 348/373–376; 358/909.1;
396/176, 177, 354–359, 535–541
See application file for complete search history.

(57) **CLAIM**

The ornamental design for a digital single-lens reflex camera, as shown.

(56) **References Cited**

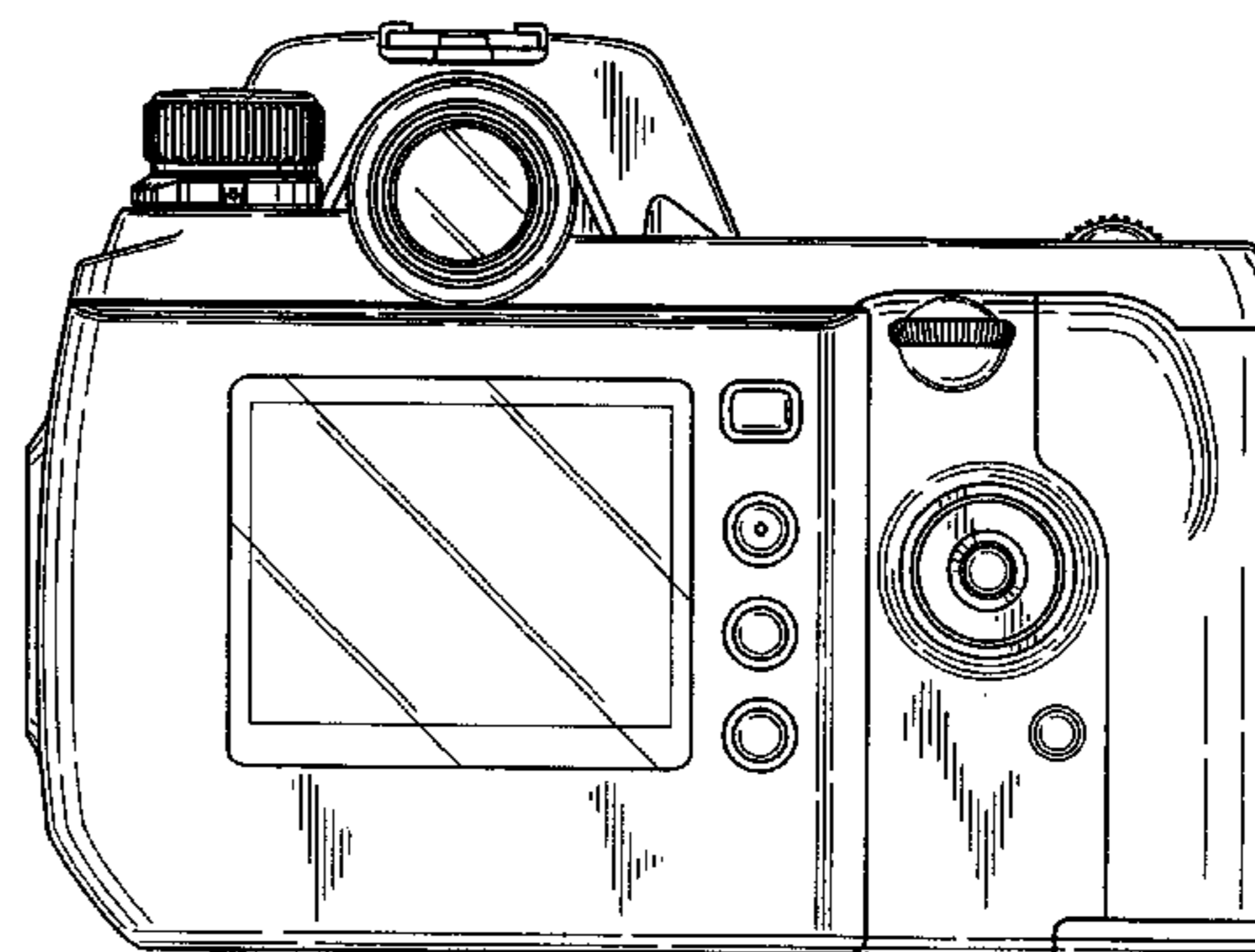
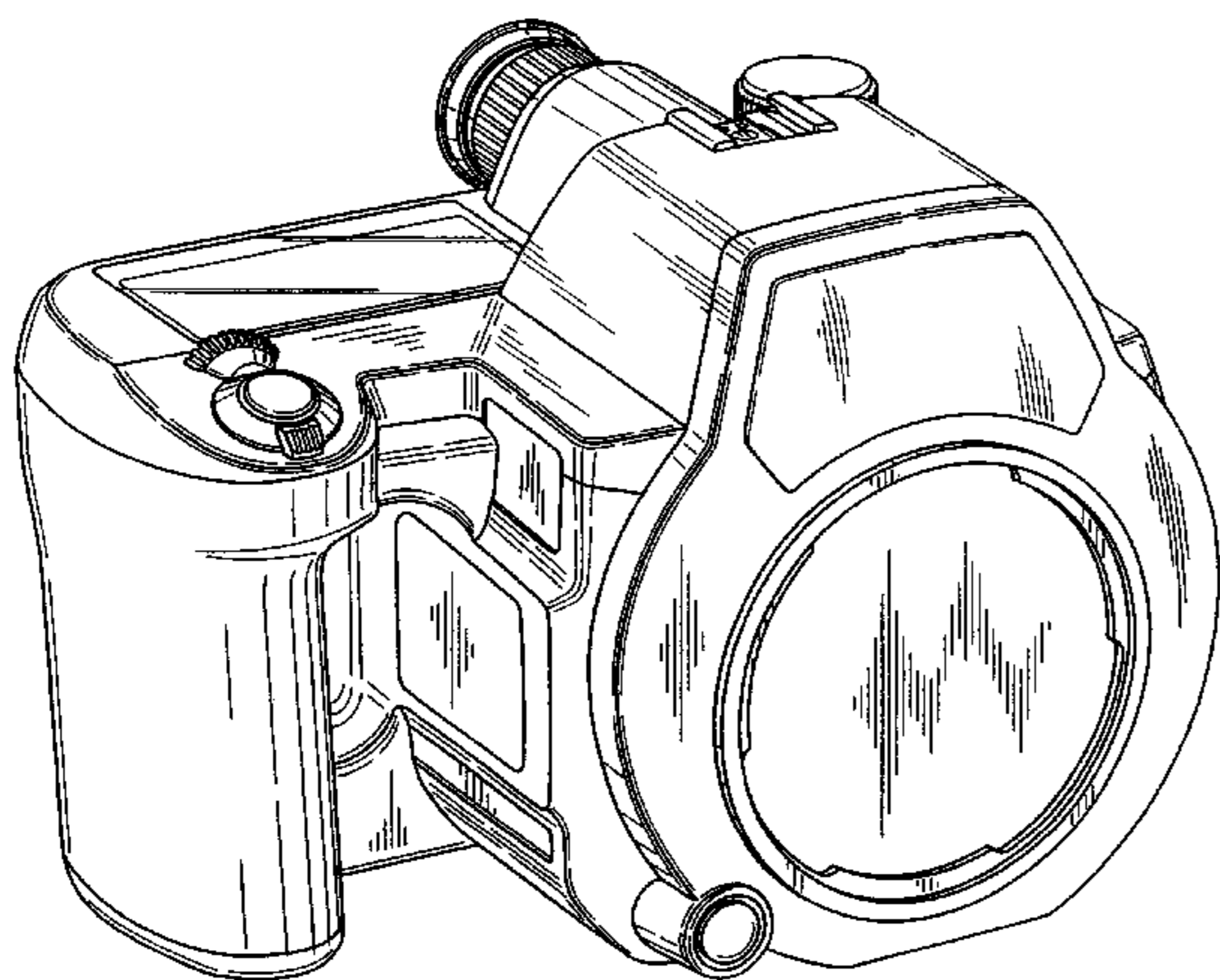
DESCRIPTION

U.S. PATENT DOCUMENTS

FIG. 1 is a perspective view of the top, front and left side of a digital single-lens reflex camera showing my new design; FIG. 2 is a front elevational view thereof; FIG. 3 is a rear elevational view thereof; FIG. 4 is a right side elevational view thereof; FIG. 5 is a left side elevational view thereof; FIG. 6 is a top plan view thereof; and, FIG. 7 is a bottom plan view thereof.

5,253,003	A	*	10/1993	Fujii et al.	396/176
D411,218	S	*	6/1999	Kumakura et al.	D16/217
D415,513	S		10/1999	Fujii		
6,351,609	B1	*	2/2002	Hosokawa et al.	396/177
D471,222	S	*	3/2003	Matsumura	D16/217
D474,796	S	*	5/2003	Matsuda	D16/217
D491,593	S	*	6/2004	Haga	D16/202
D493,809	S	*	8/2004	Ogura	D16/202
D497,173	S	*	10/2004	Ogura	D16/202

1 Claim, 4 Drawing Sheets



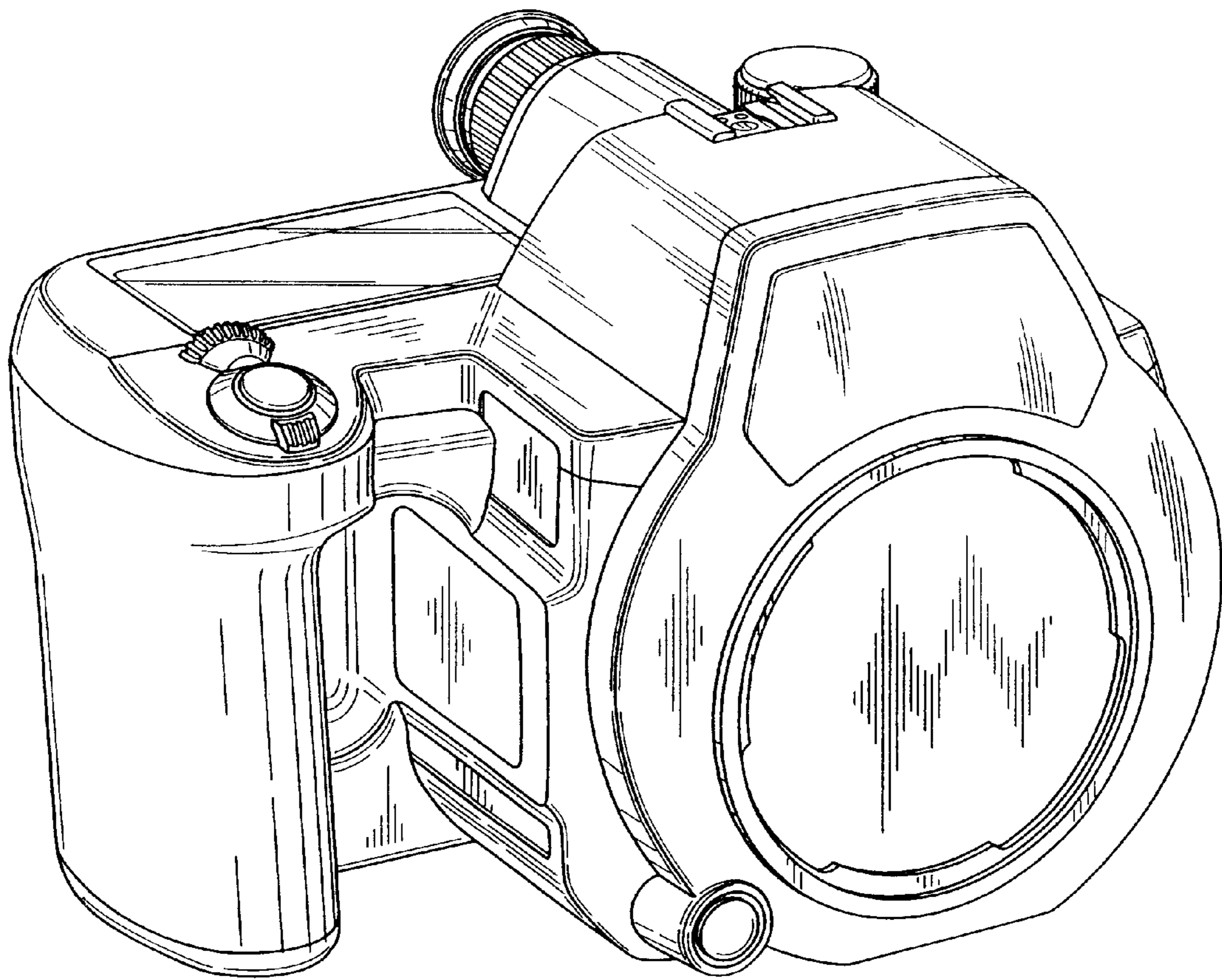


FIG. 1

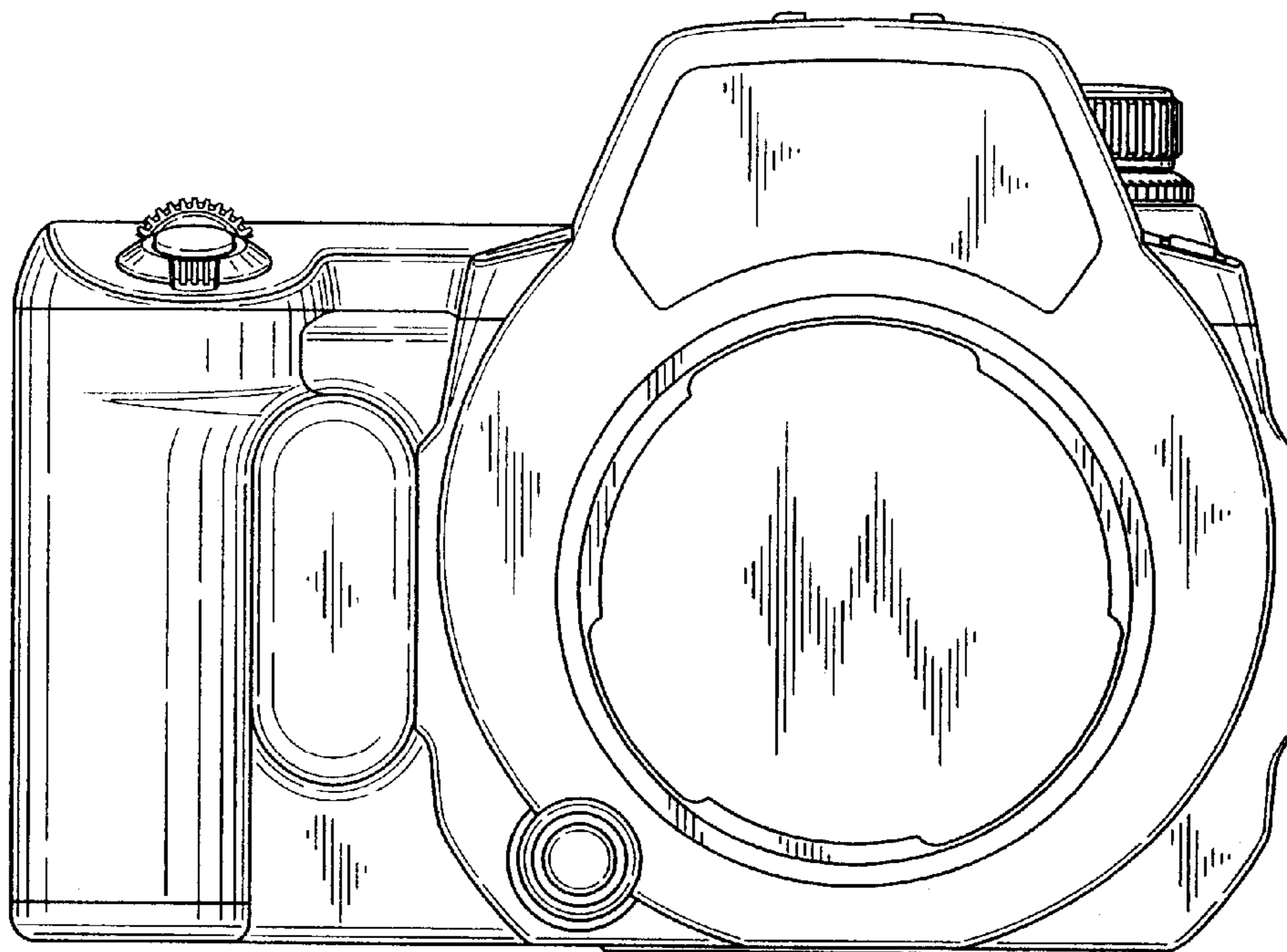


FIG. 2

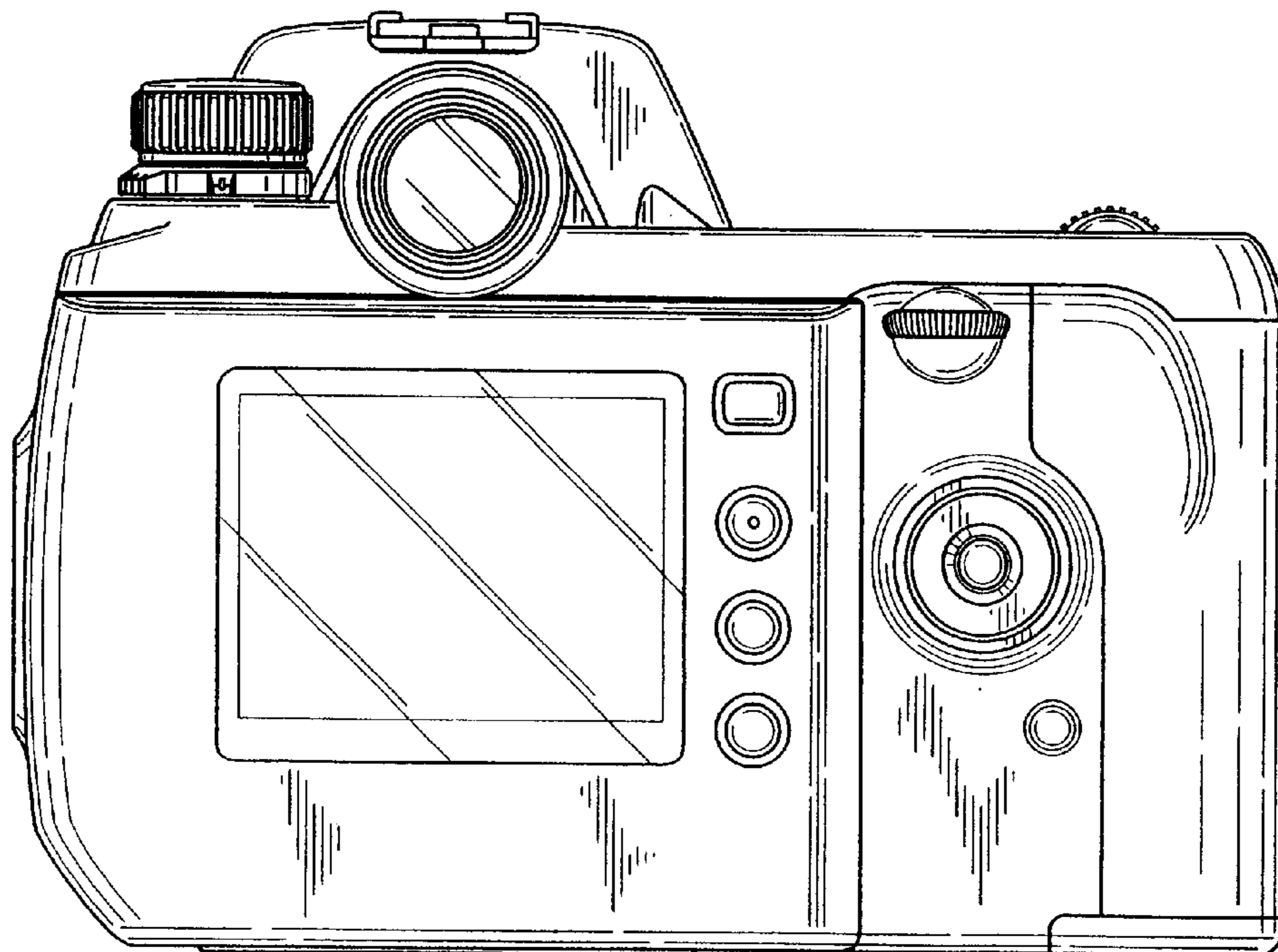


FIG. 3

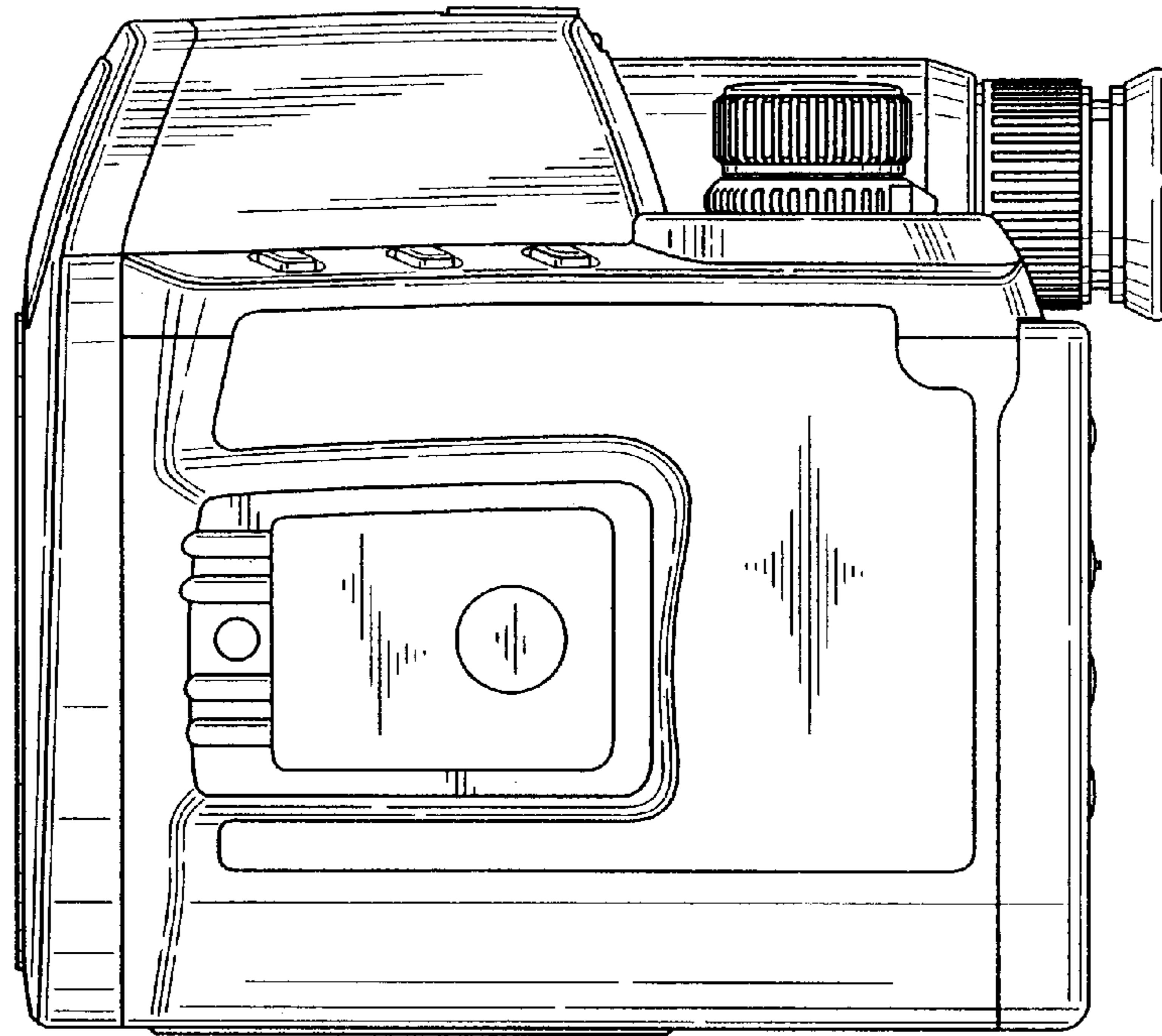


FIG. 4

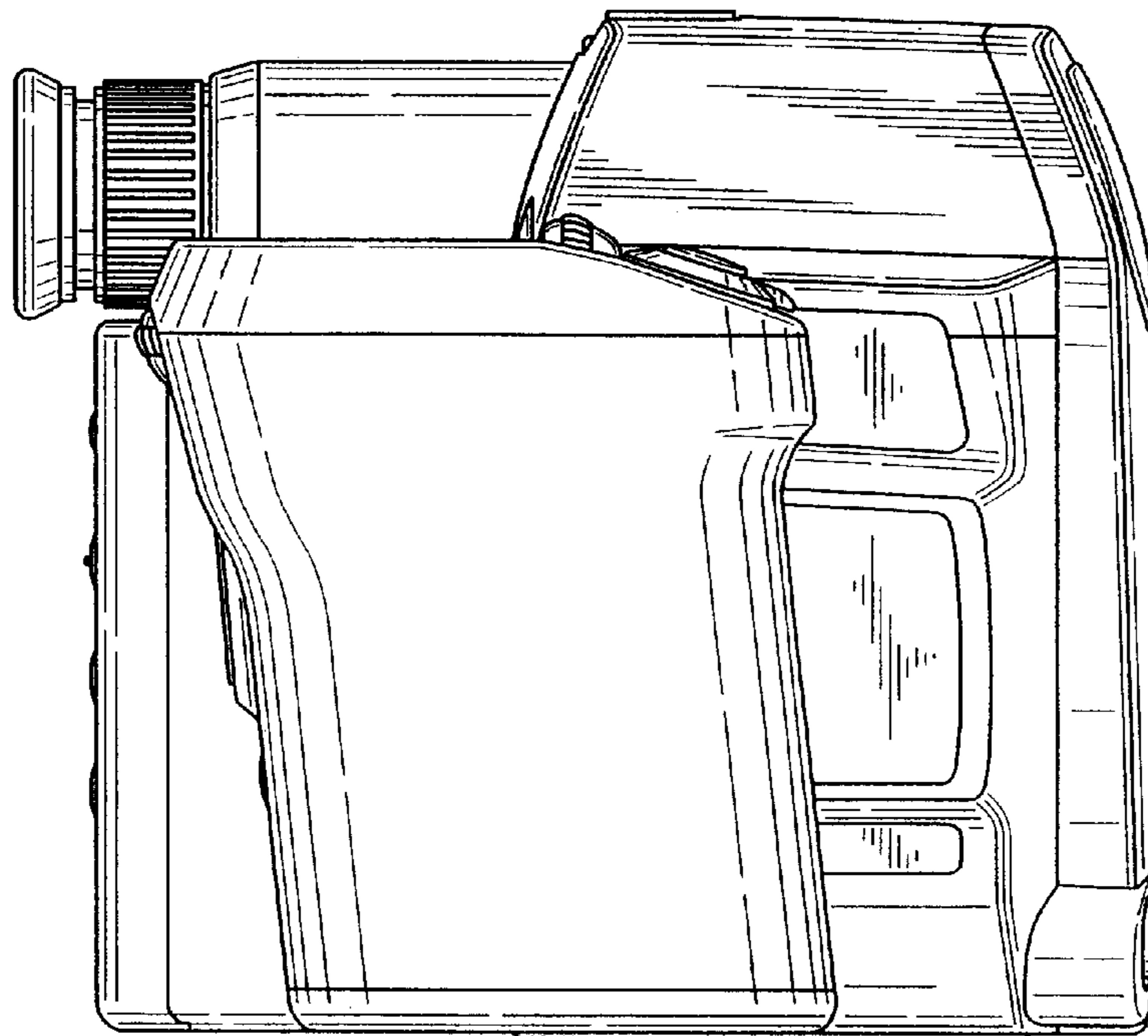


FIG. 5

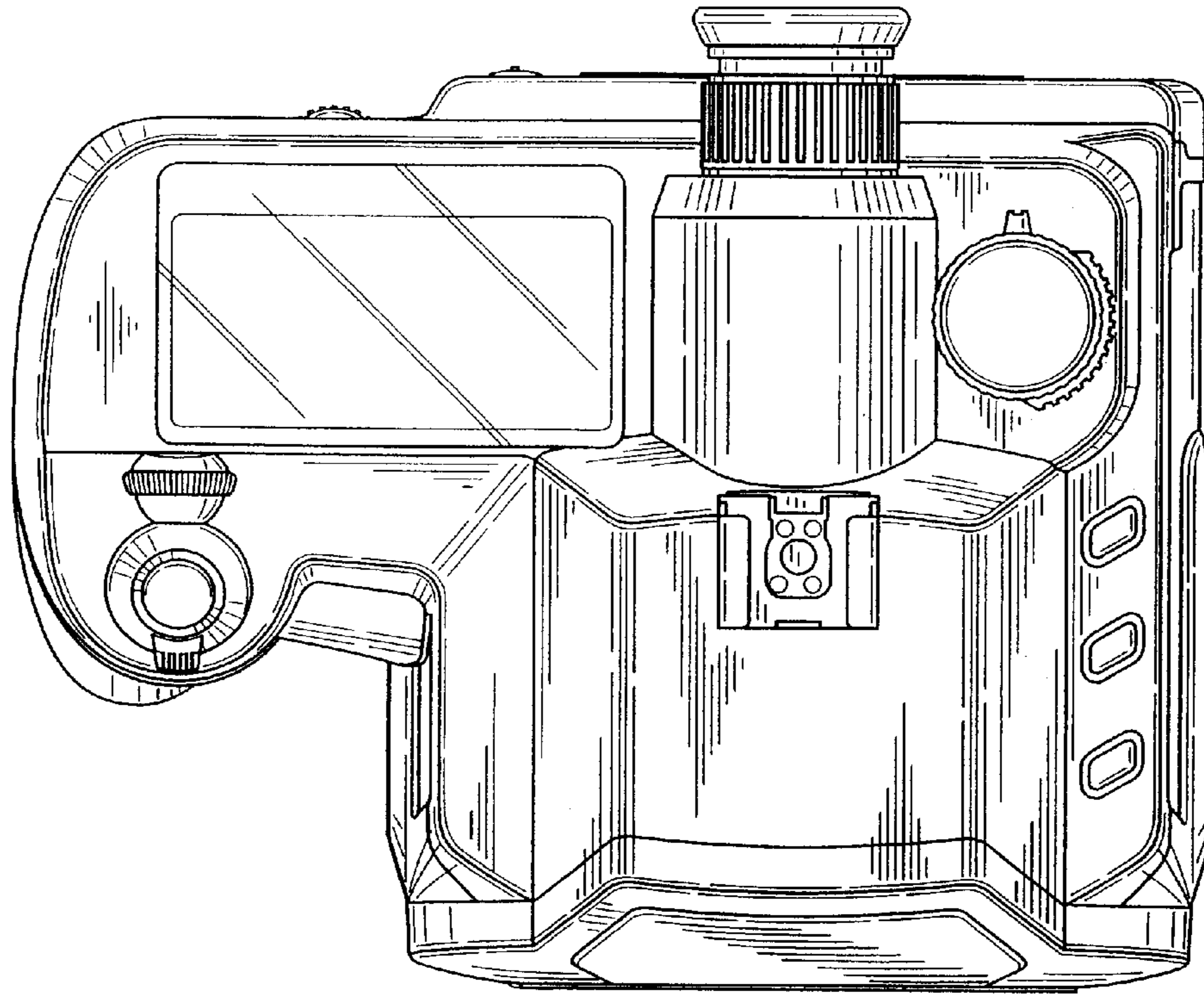


FIG. 6

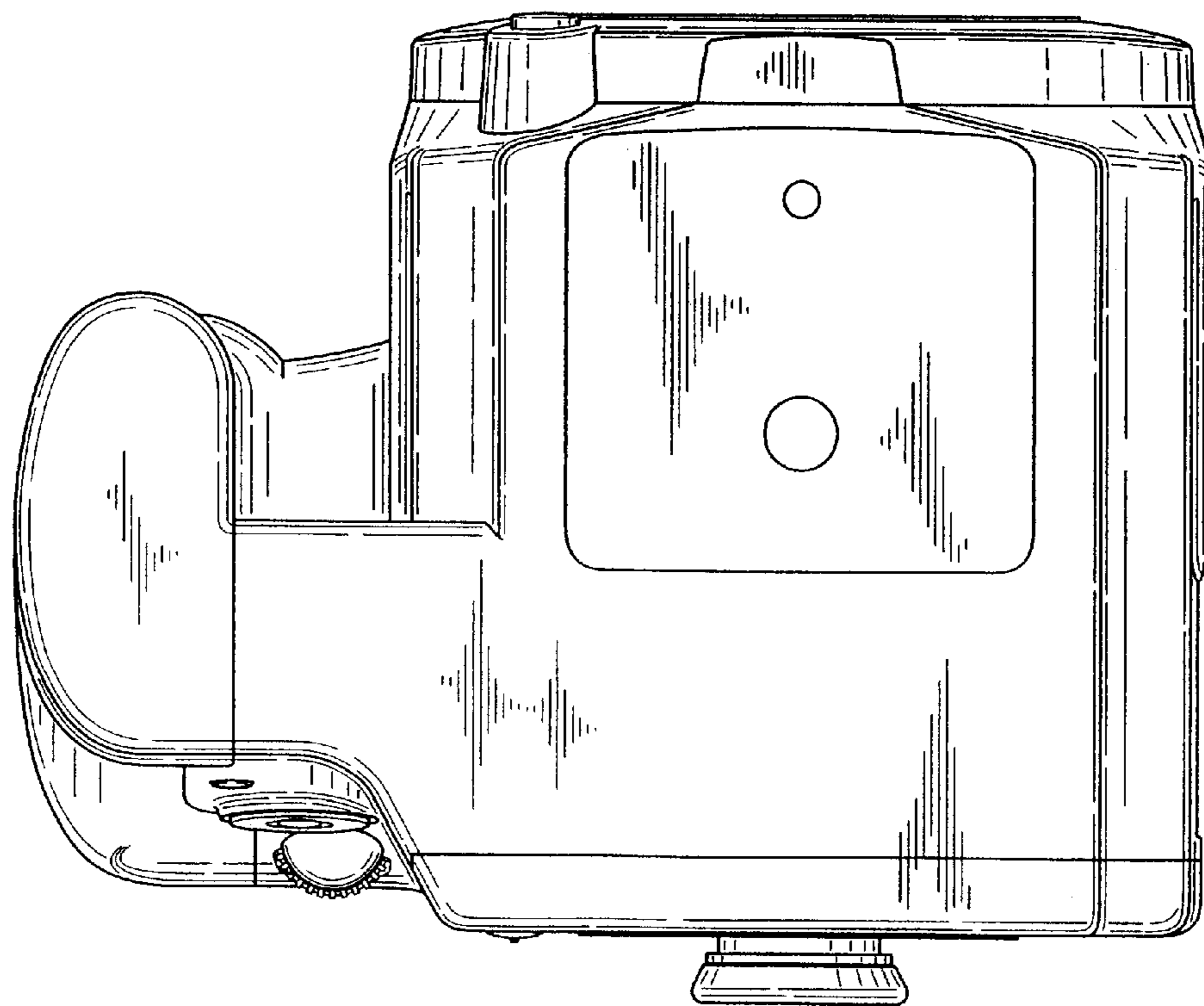


FIG. 7