



US00D542823S

(12) **United States Design Patent**  
**Haga**

(10) **Patent No.:** **US D542,823 S**

(45) **Date of Patent:** **\*\* May 15, 2007**

(54) **DIGITAL SINGLE-LENS REFLEX CAMERA**

(75) Inventor: **Masaaki Haga**, Tokyo (JP)

(73) Assignee: **PENTAX Corporation**, Tokyo (JP)

(\*\*) Term: **14 Years**

(21) Appl. No.: **29/238,028**

(22) Filed: **Sep. 12, 2005**

(30) **Foreign Application Priority Data**

Mar. 15, 2005 (JP) ..... 2005-007683

(51) **LOC (8) Cl.** ..... **16-01**

(52) **U.S. Cl.** ..... **D16/217; D16/202**

(58) **Field of Classification Search** ..... D16/200–206,  
D16/208, 216, 217, 218; 348/373–376; 358/909.1;  
396/176, 177, 354–359, 535–541  
See application file for complete search history.

(56) **References Cited**

**U.S. PATENT DOCUMENTS**

5,253,003 A \* 10/1993 Fujii et al. .... 396/176  
D411,218 S \* 6/1999 Kumakura et al. .... D16/217  
D415,513 S 10/1999 Fujii  
6,351,609 B1 \* 2/2002 Hosokawa et al. .... 396/177  
D471,222 S \* 3/2003 Matsumura ..... D16/217

D474,796 S \* 5/2003 Matsuda ..... D16/217  
D491,593 S \* 6/2004 Haga ..... D16/202  
D493,809 S \* 8/2004 Ogura ..... D16/202  
D497,173 S \* 10/2004 Ogura ..... D16/202  
D514,610 S \* 2/2006 Urushihata ..... D16/202  
D524,346 S \* 7/2006 Haga ..... D16/202

**FOREIGN PATENT DOCUMENTS**

JP D685978 S 8/1986

\* cited by examiner

*Primary Examiner*—Adir Aronovich

(74) *Attorney, Agent, or Firm*—Sughrue Mion, PLLC

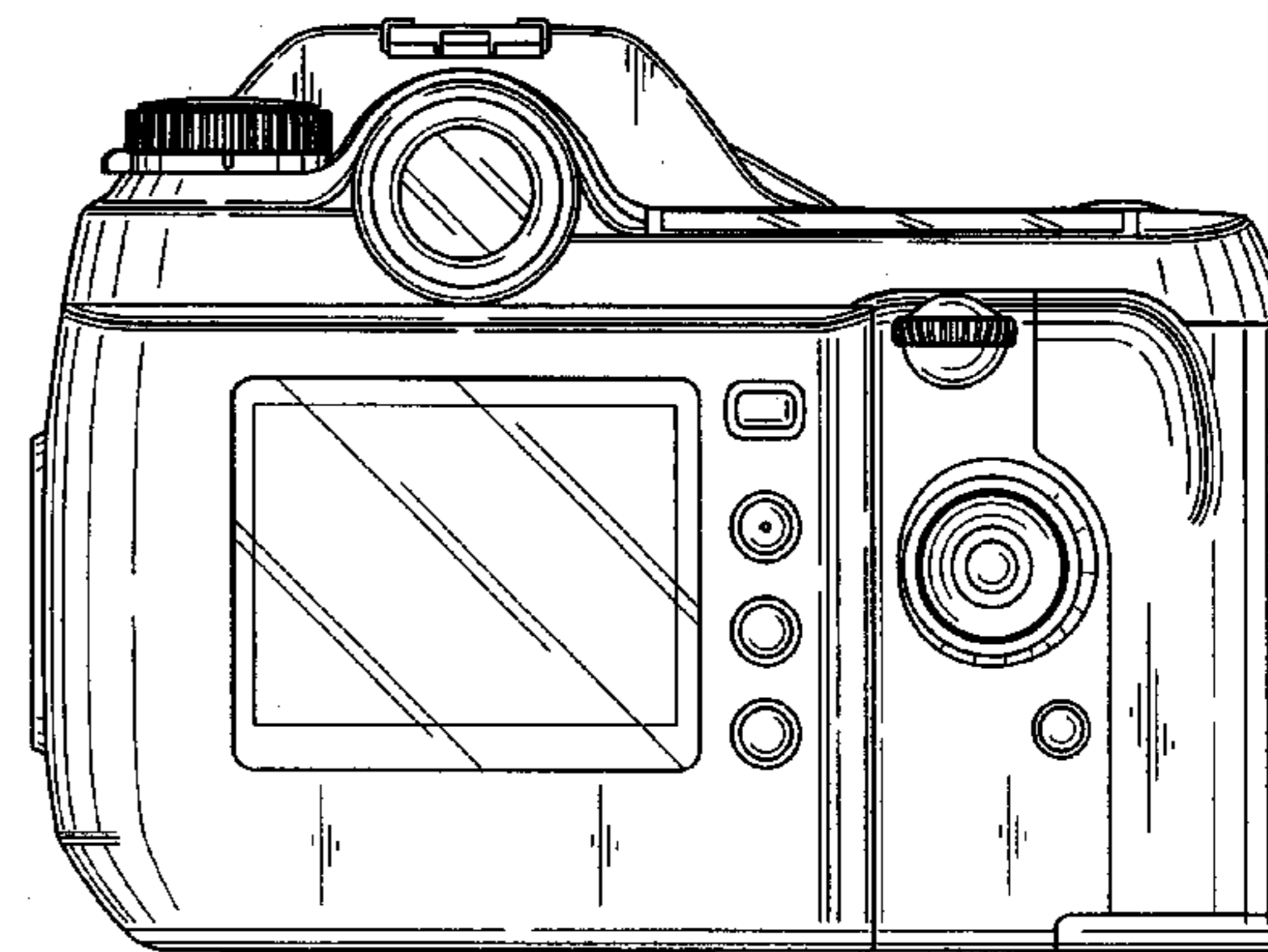
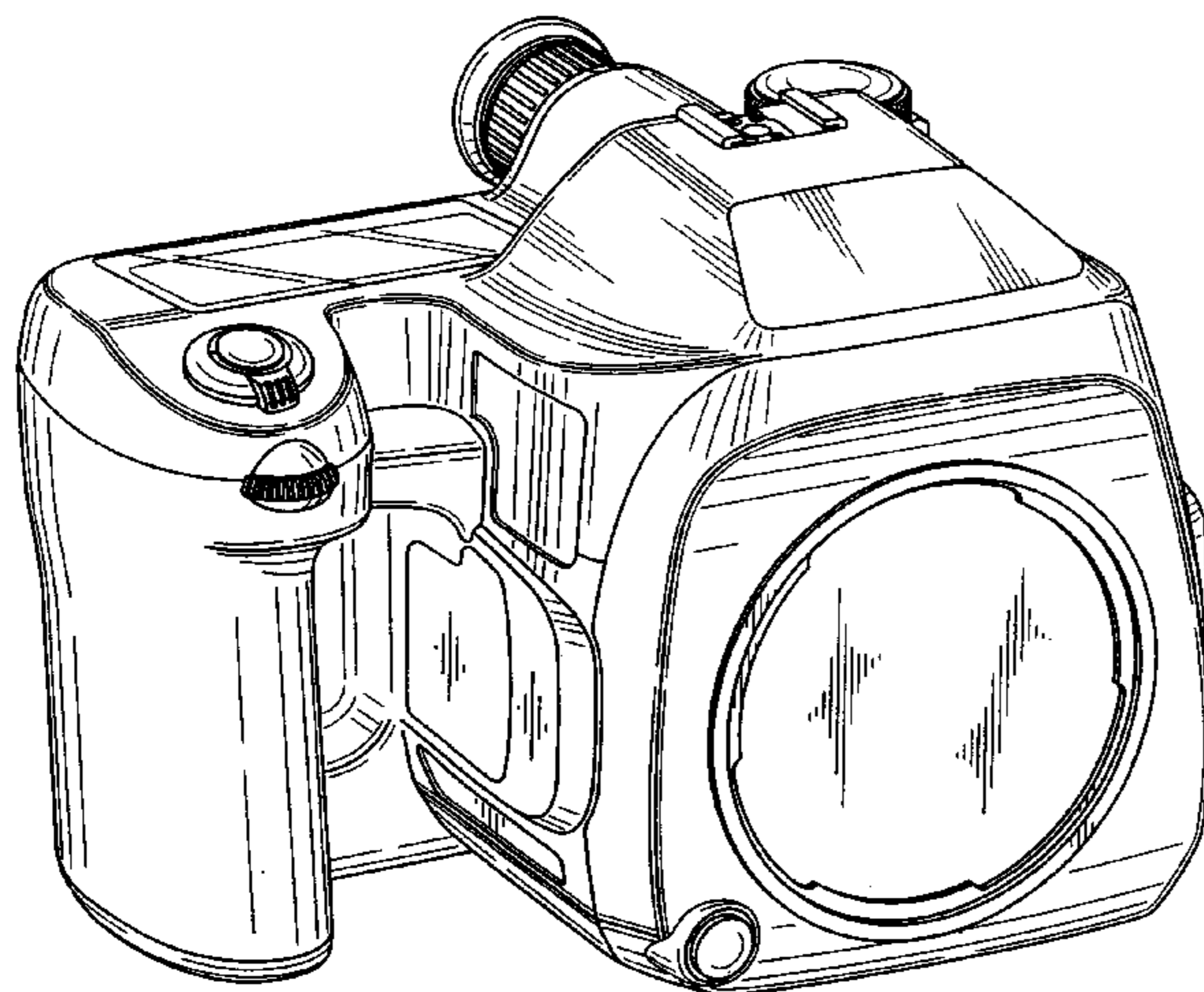
(57) **CLAIM**

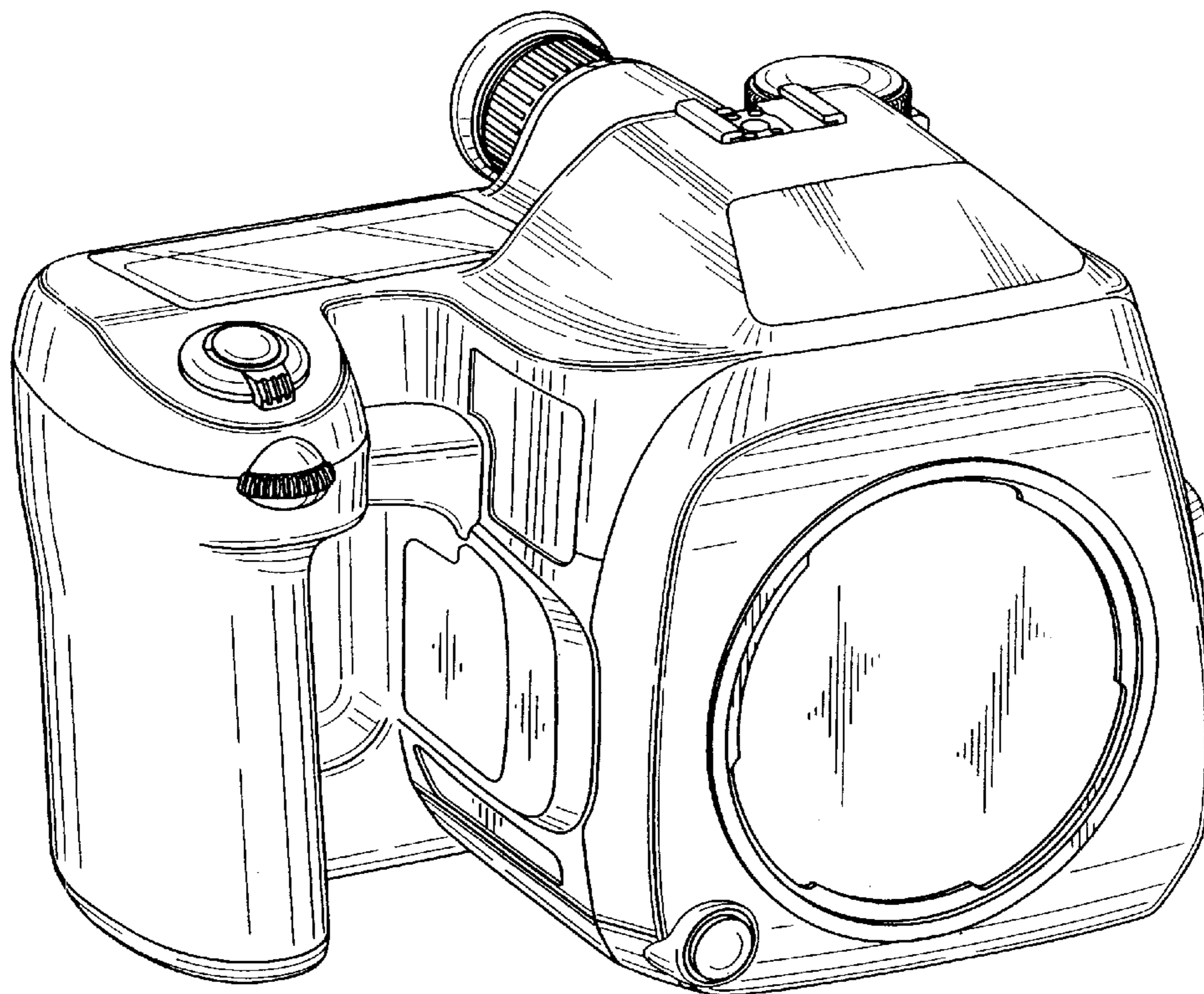
The ornamental design for a digital single-lens reflex camera, as shown.

**DESCRIPTION**

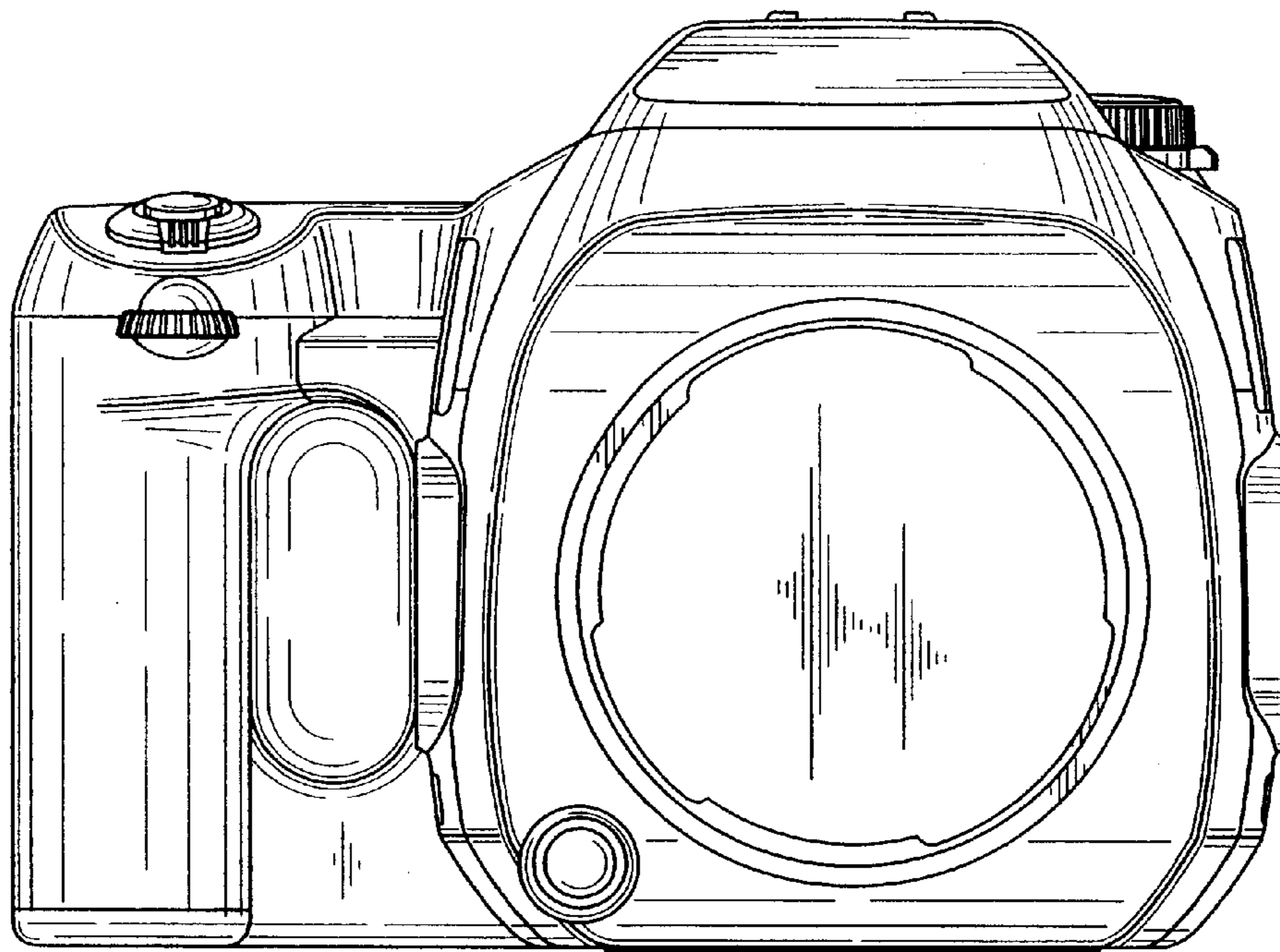
FIG. 1 is a perspective view of the top, front and left side of a digital single-lens reflex camera showing my new design; FIG. 2 is a front elevational view thereof; FIG. 3 is a rear elevational view thereof; FIG. 4 is a right side elevational view thereof; FIG. 5 is a left side elevational view thereof; FIG. 6 is a top plan view thereof; and, FIG. 7 is a bottom plan view thereof.

**1 Claim, 4 Drawing Sheets**

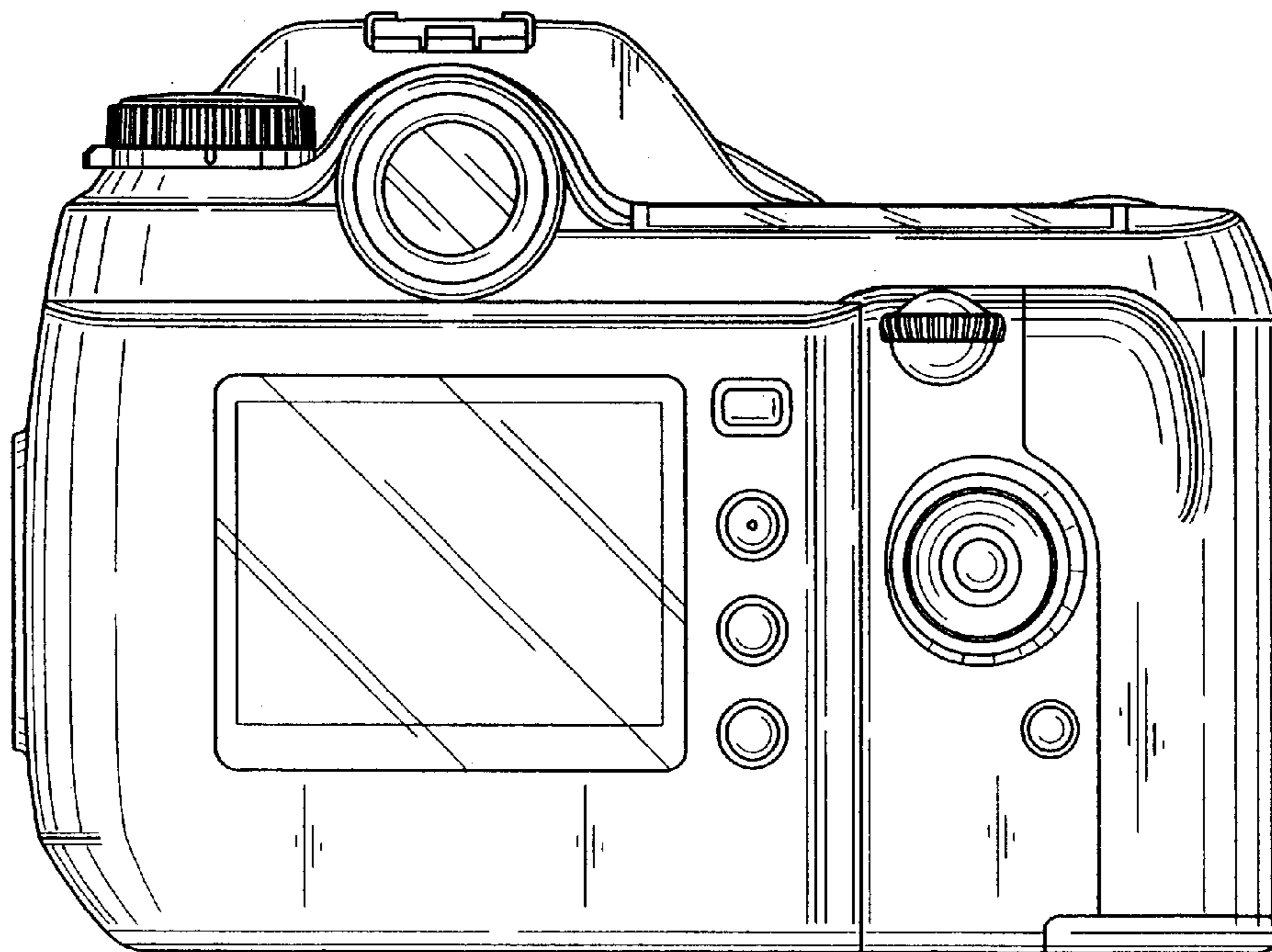




*FIG. 1*

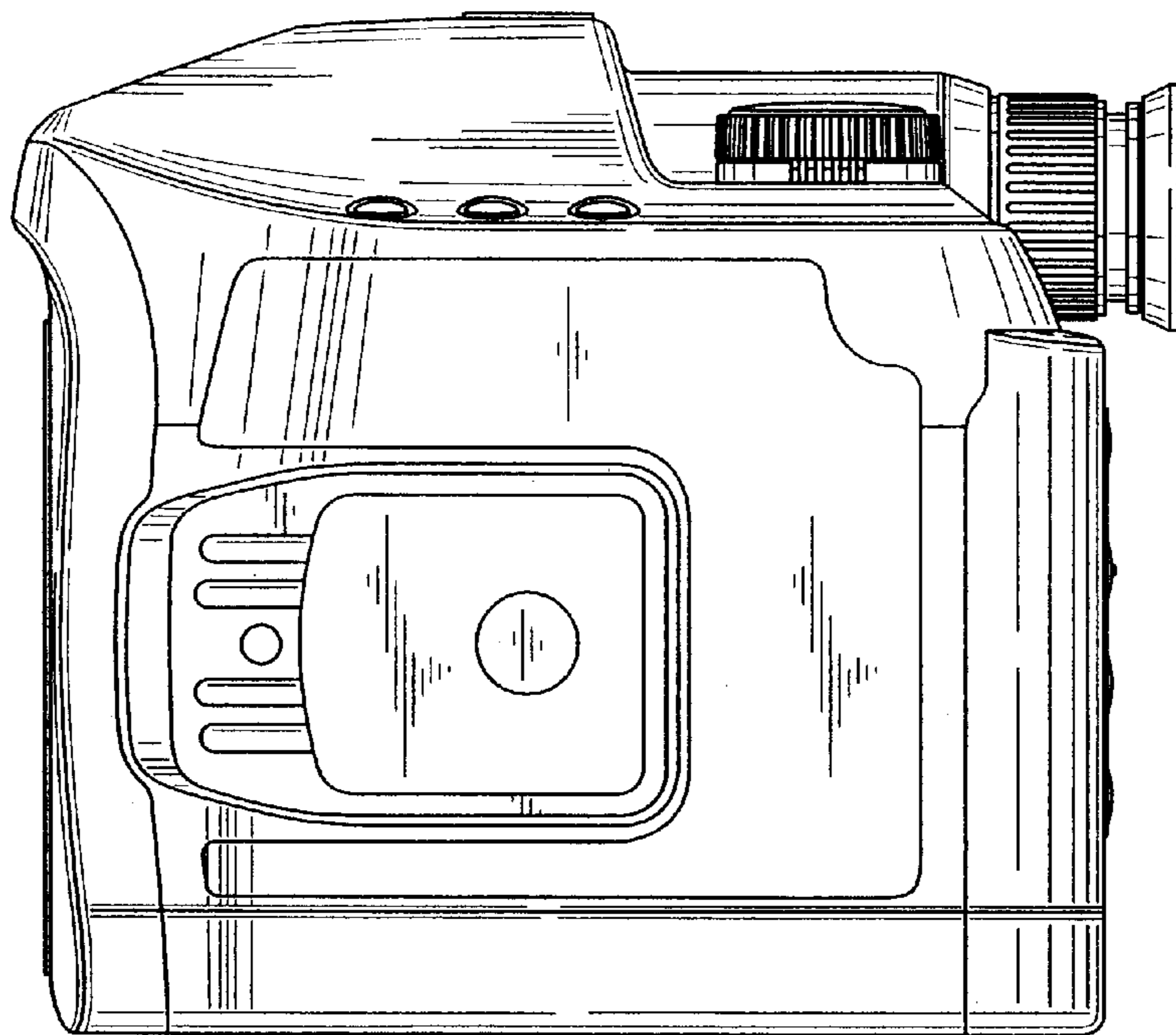


*FIG. 2*

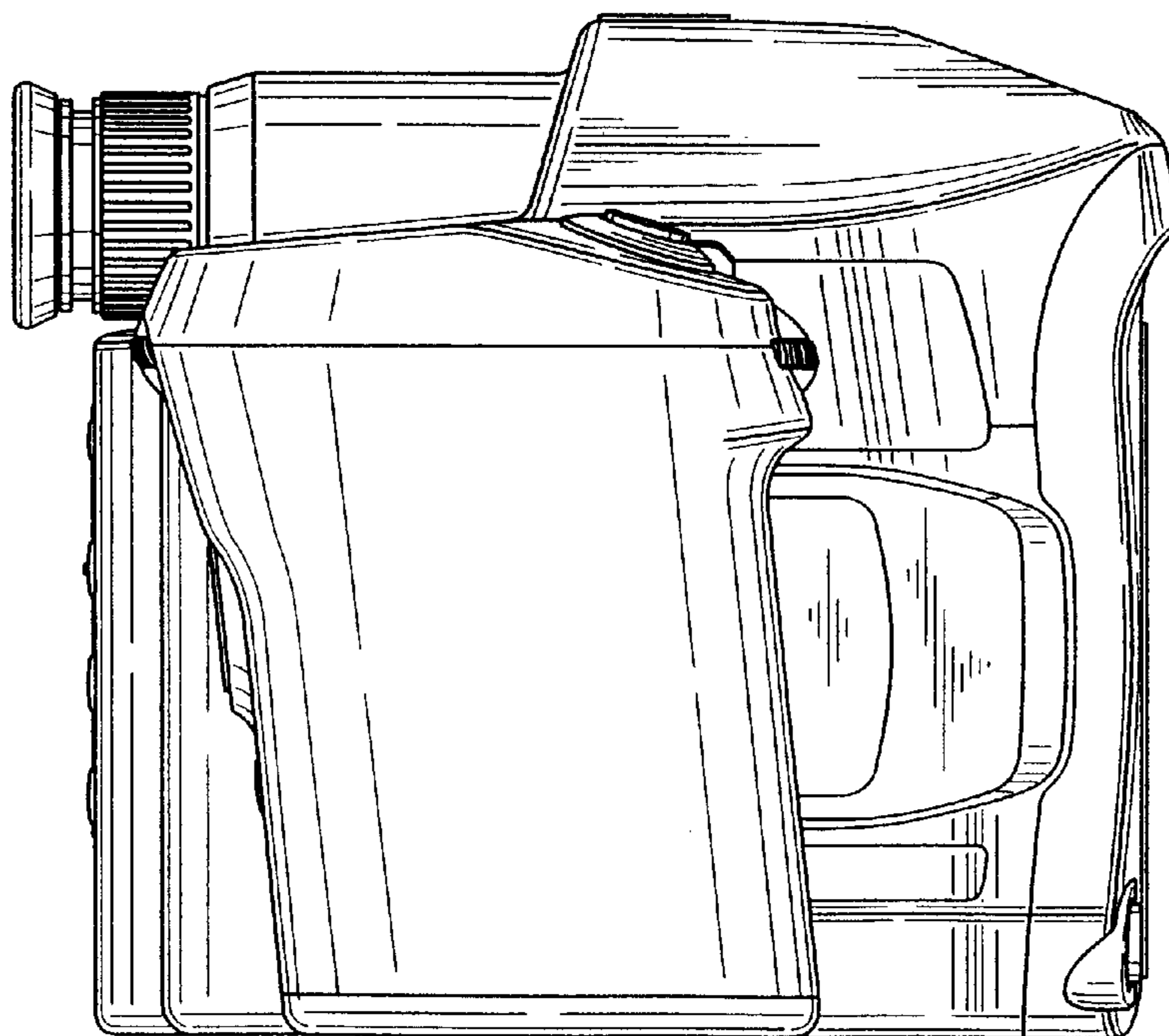


*FIG. 3*





*FIG. 4*



*FIG. 5*

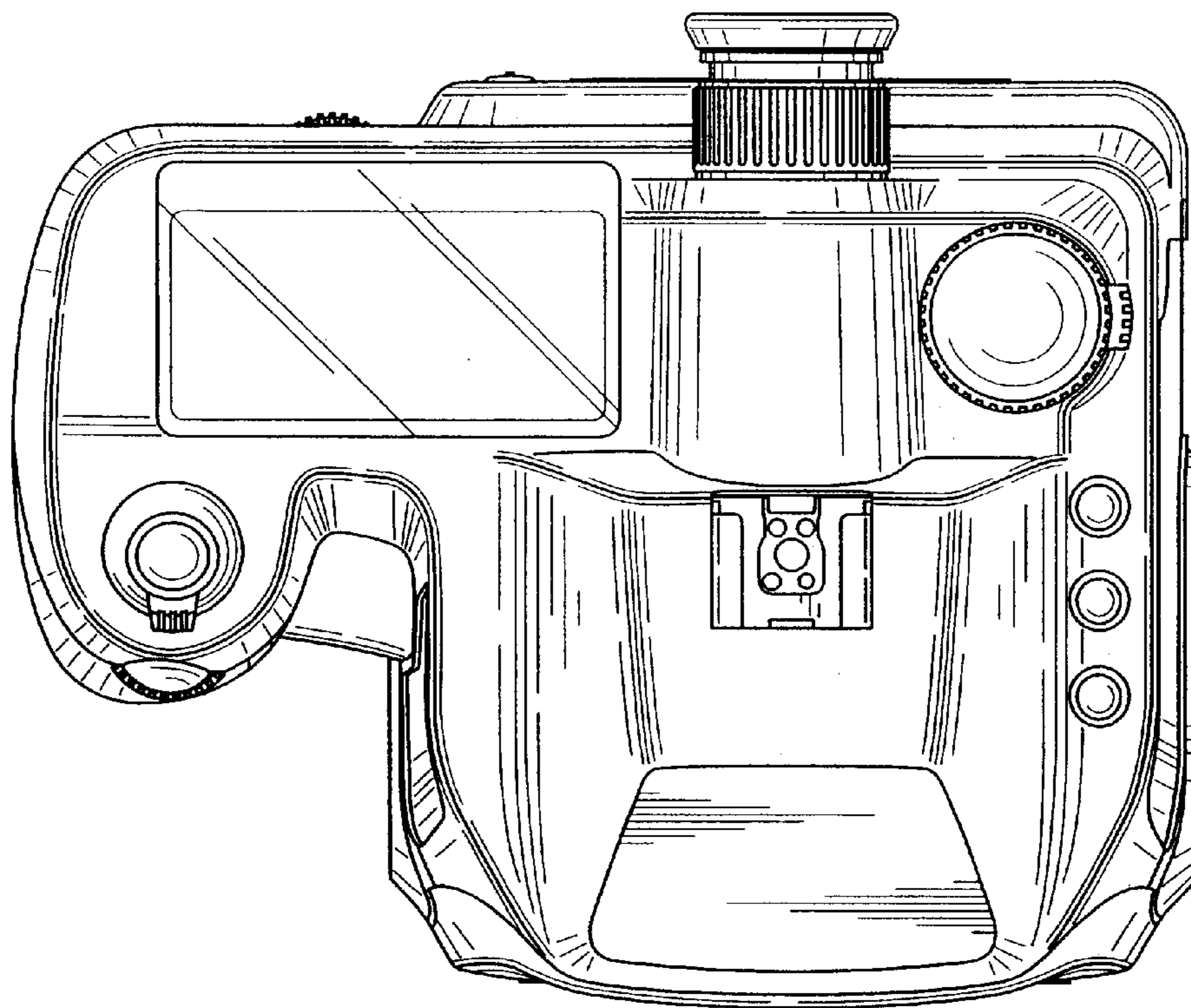


FIG. 6

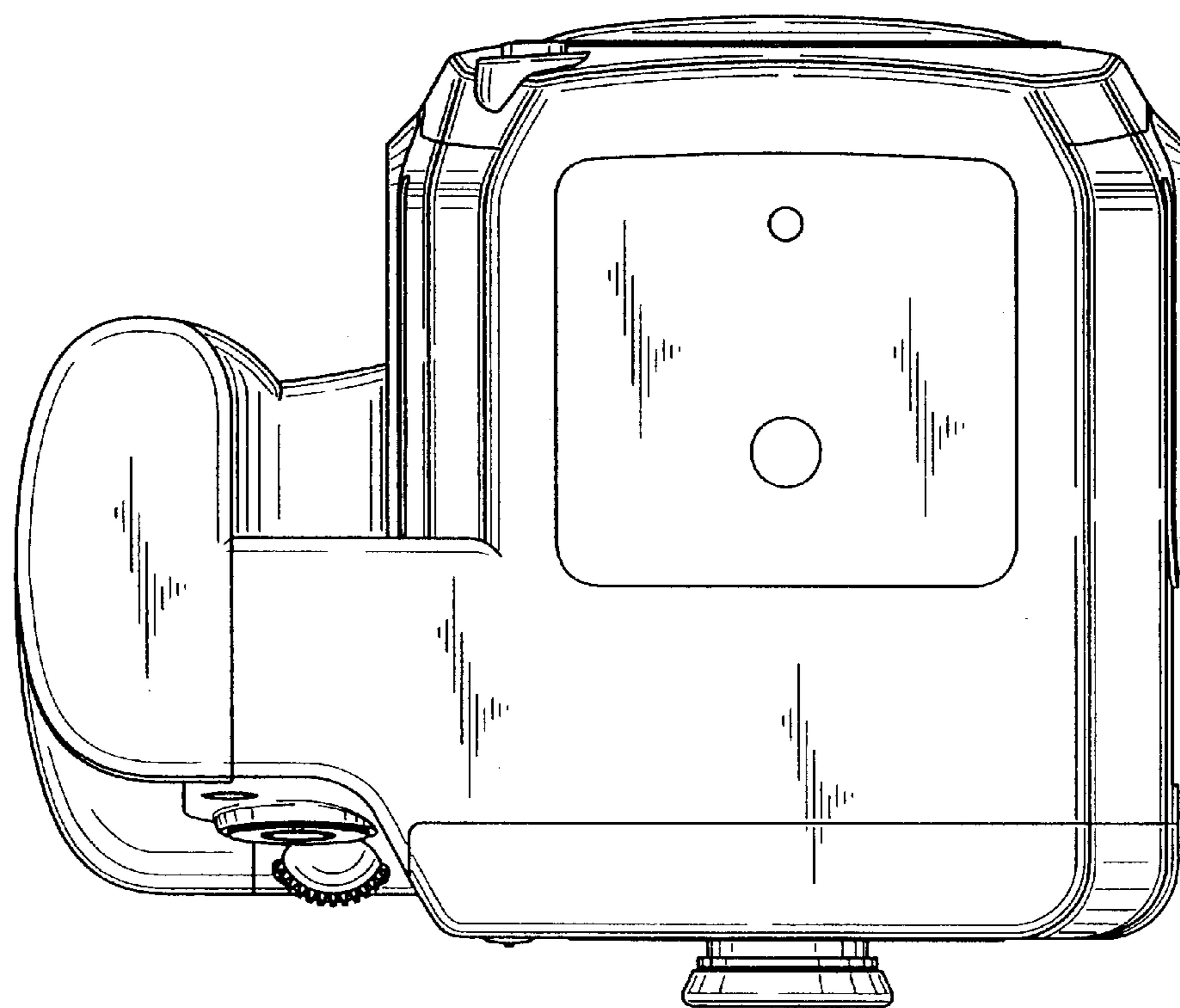


FIG. 7