



US00D542822S

(12) **United States Design Patent**  
**Senda**

(10) **Patent No.:** **US D542,822 S**

(45) **Date of Patent:** **\*\* May 15, 2007**

(54) **ELECTRONIC CAMERA**

D486,508 S \* 2/2004 Shimobayashi ..... D16/202  
D513,027 S 12/2005 Katayama ..... D16/202  
D520,544 S \* 5/2006 Senda ..... D16/202

(75) Inventor: **Yutaka Senda**, Tokyo (JP)

\* cited by examiner

(73) Assignee: **Fuji Photo Film Co., Ltd.**, Kanagawa (JP)

*Primary Examiner*—Adir Aronovich

(\*\*) Term: **14 Years**

(74) *Attorney, Agent, or Firm*—Young & Thompson

(21) Appl. No.: **29/244,277**

(57) **CLAIM**

(22) Filed: **Dec. 8, 2005**

The ornamental design for an electronic camera, as shown and described.

(30) **Foreign Application Priority Data**

**DESCRIPTION**

Jun. 9, 2005 (JP) ..... 2005-016770

FIG. 1 is a top, front and right side perspective view of an electronic camera showing my new design;

(51) **LOC (8) Cl.** ..... **16-01**

FIG. 2 is a front elevational view thereof;

(52) **U.S. Cl.** ..... **D16/202; D16/209**

FIG. 3 is a rear elevational view thereof;

(58) **Field of Classification Search** ..... D16/200–202,

FIG. 4 is a top plan view thereof;

D16/204–206, 209, 218; 348/373–376; 358/909.1;

FIG. 5 is a bottom plan view thereof;

396/176, 177, 535–541

FIG. 6 is a side elevational view thereof from the left of FIG. 2;

See application file for complete search history.

FIG. 7 is a side elevational view thereof from the right of FIG. 2;

(56) **References Cited**

FIG. 8 is a top, front and right side perspective view with the lens in a retracted position; and,

**U.S. PATENT DOCUMENTS**

FIG. 9 is a top, front and right side perspective view with the pop-up flash in an open position.

5,721,984 A \* 2/1998 Kaneko et al. .... 396/177

D431,583 S \* 10/2000 Matsuda ..... D16/202

D456,430 S \* 4/2002 Kobayashi et al. .... D16/202

D481,051 S \* 10/2003 Isozaki et al. .... D16/202

**1 Claim, 5 Drawing Sheets**

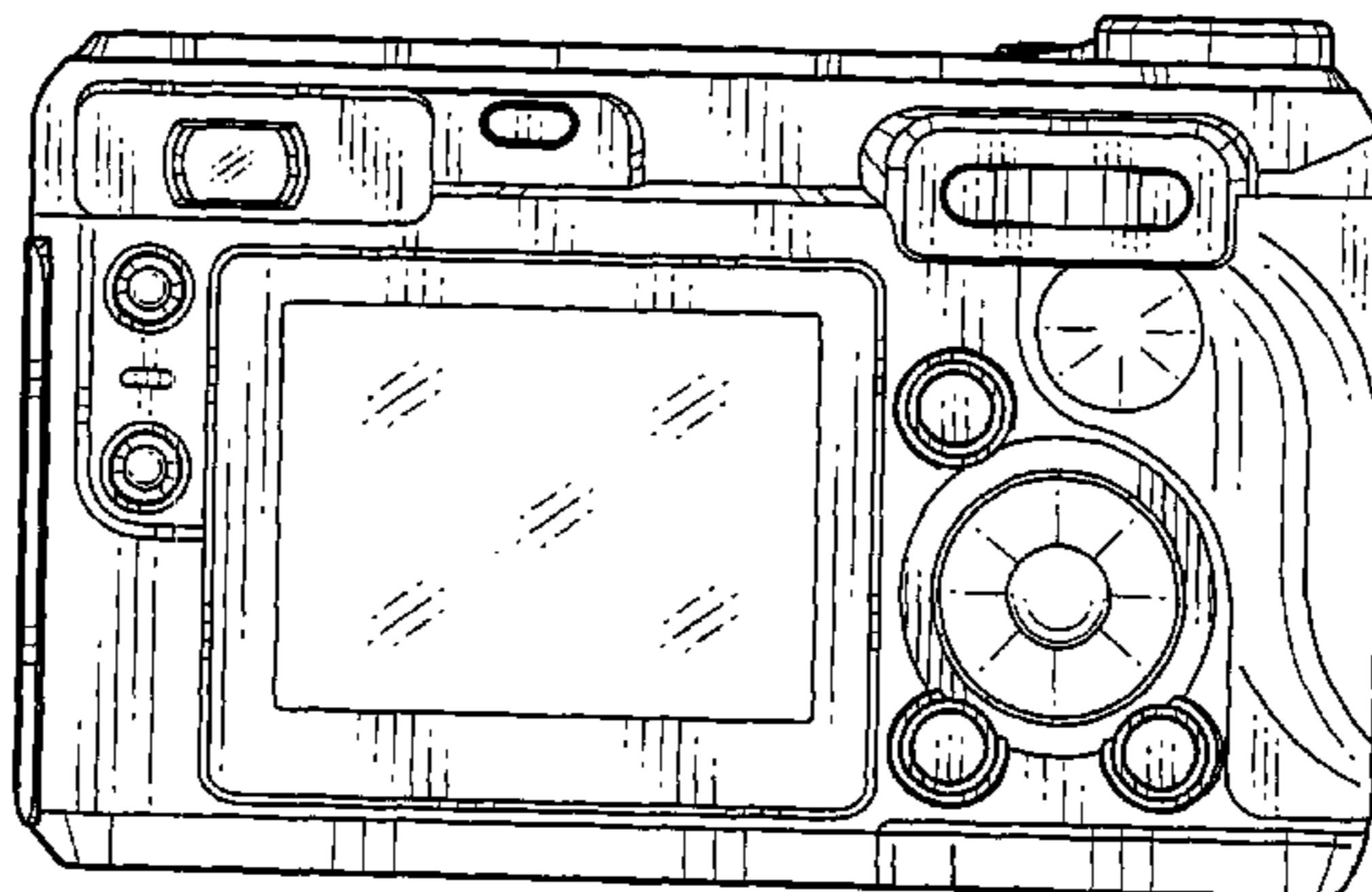
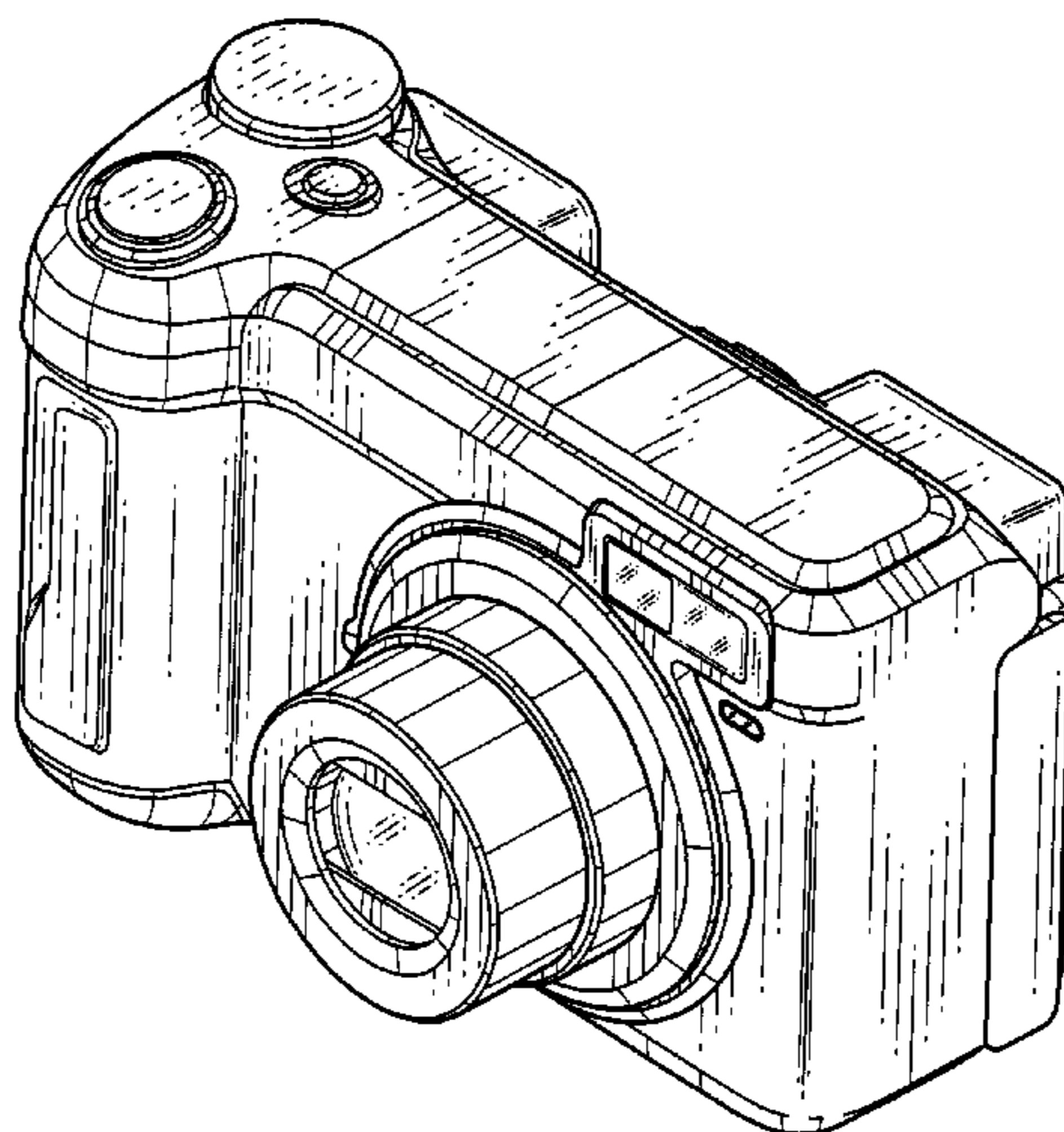


FIG. 1

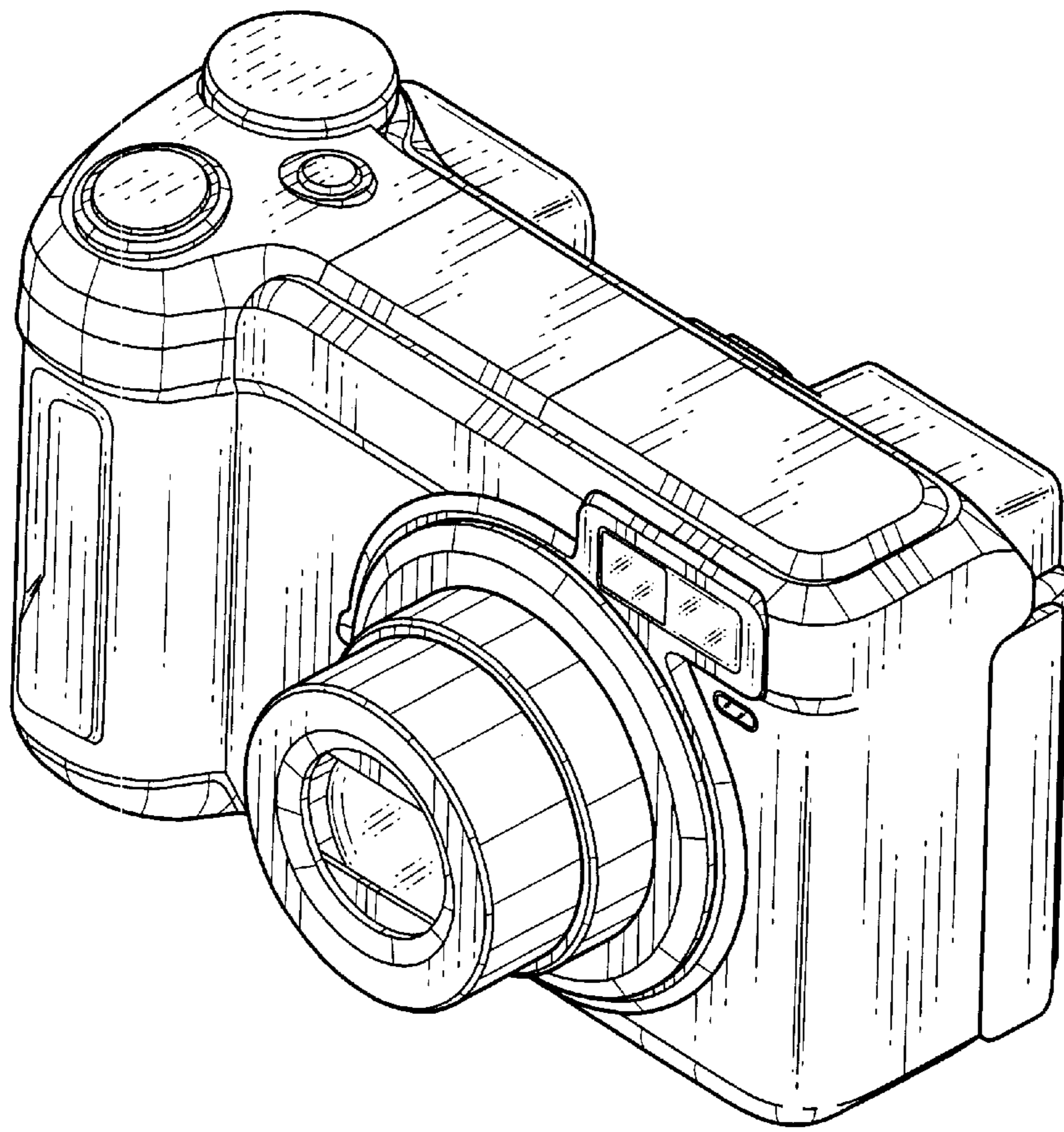


FIG. 2

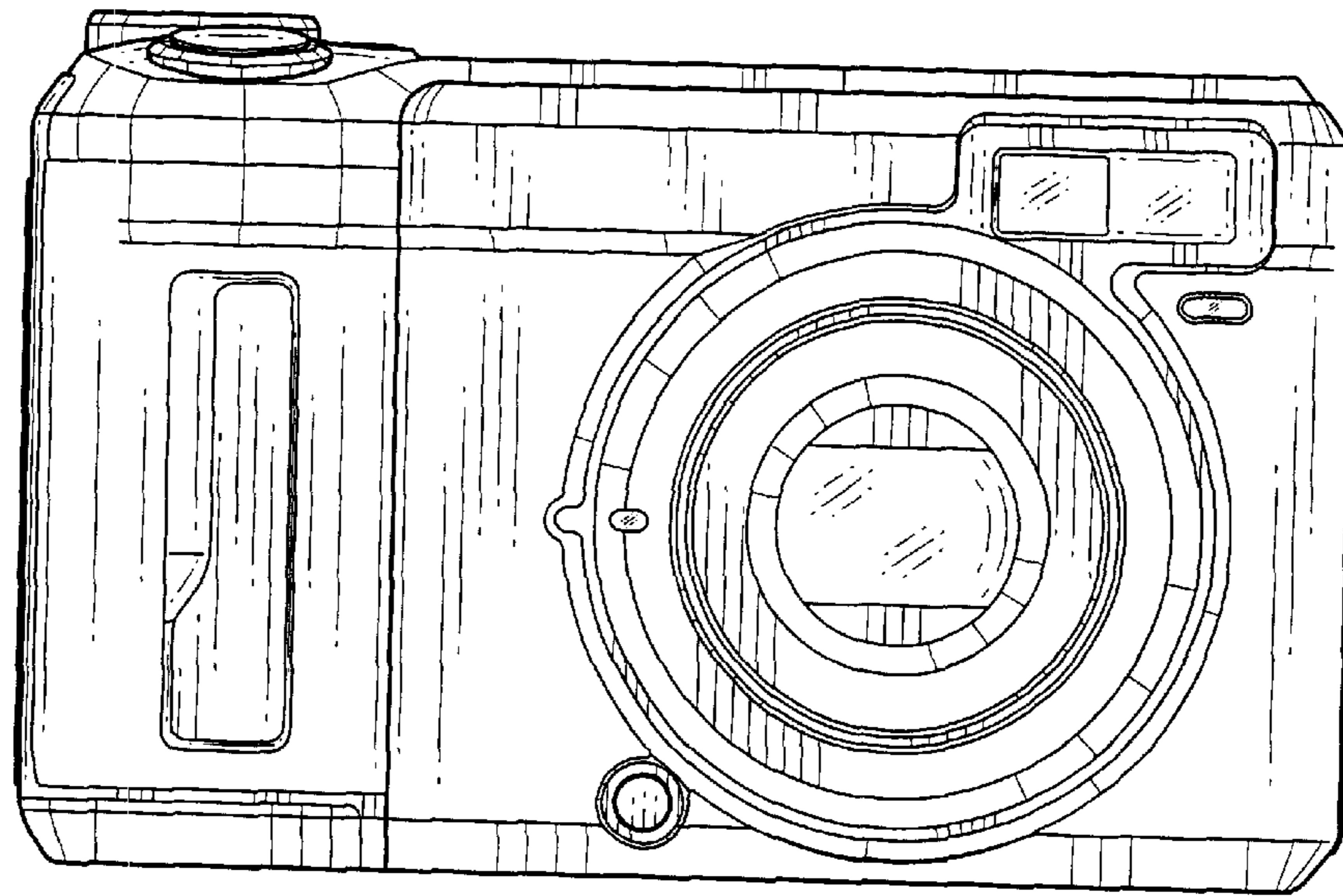


FIG. 3

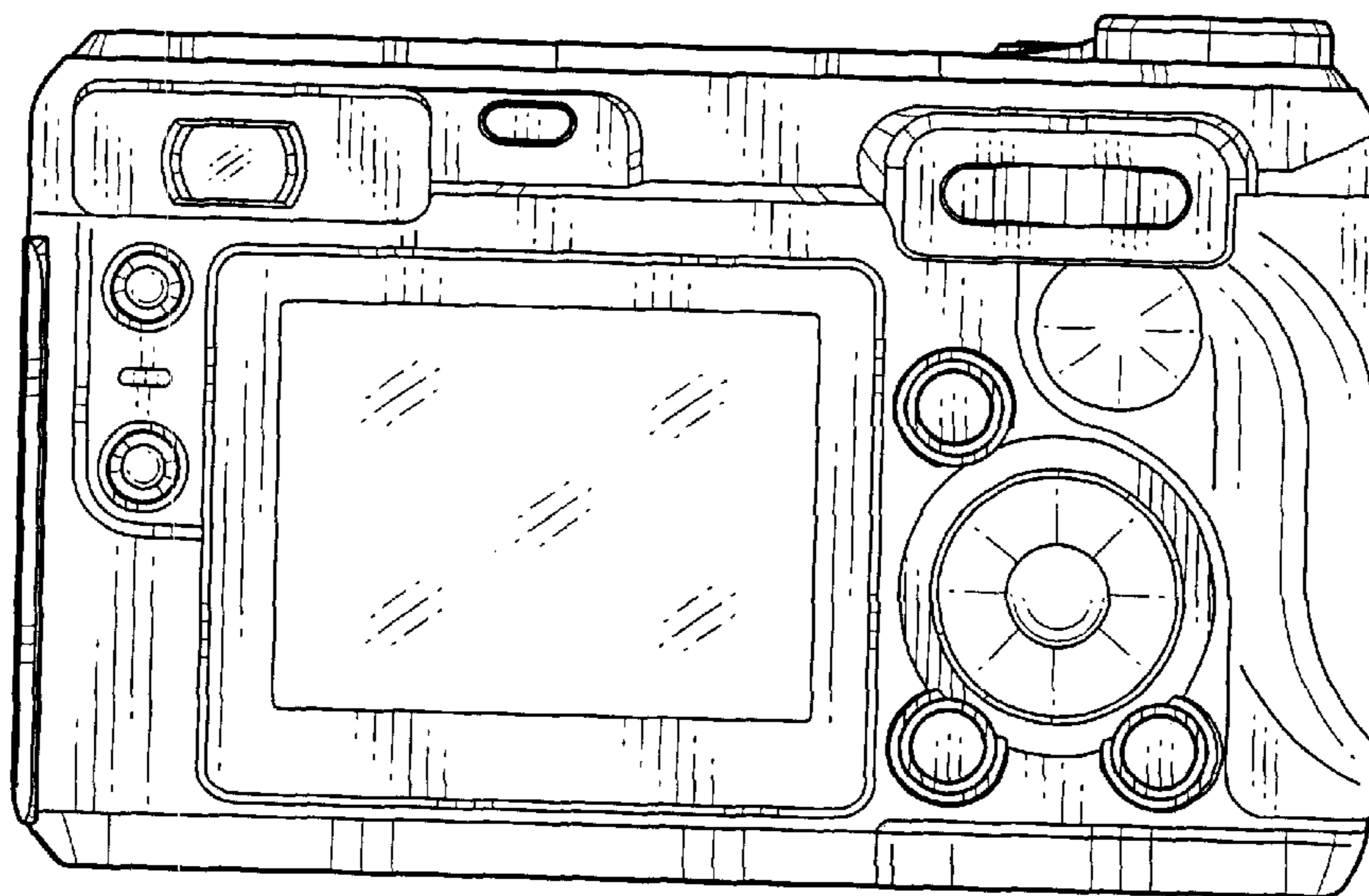


FIG.4

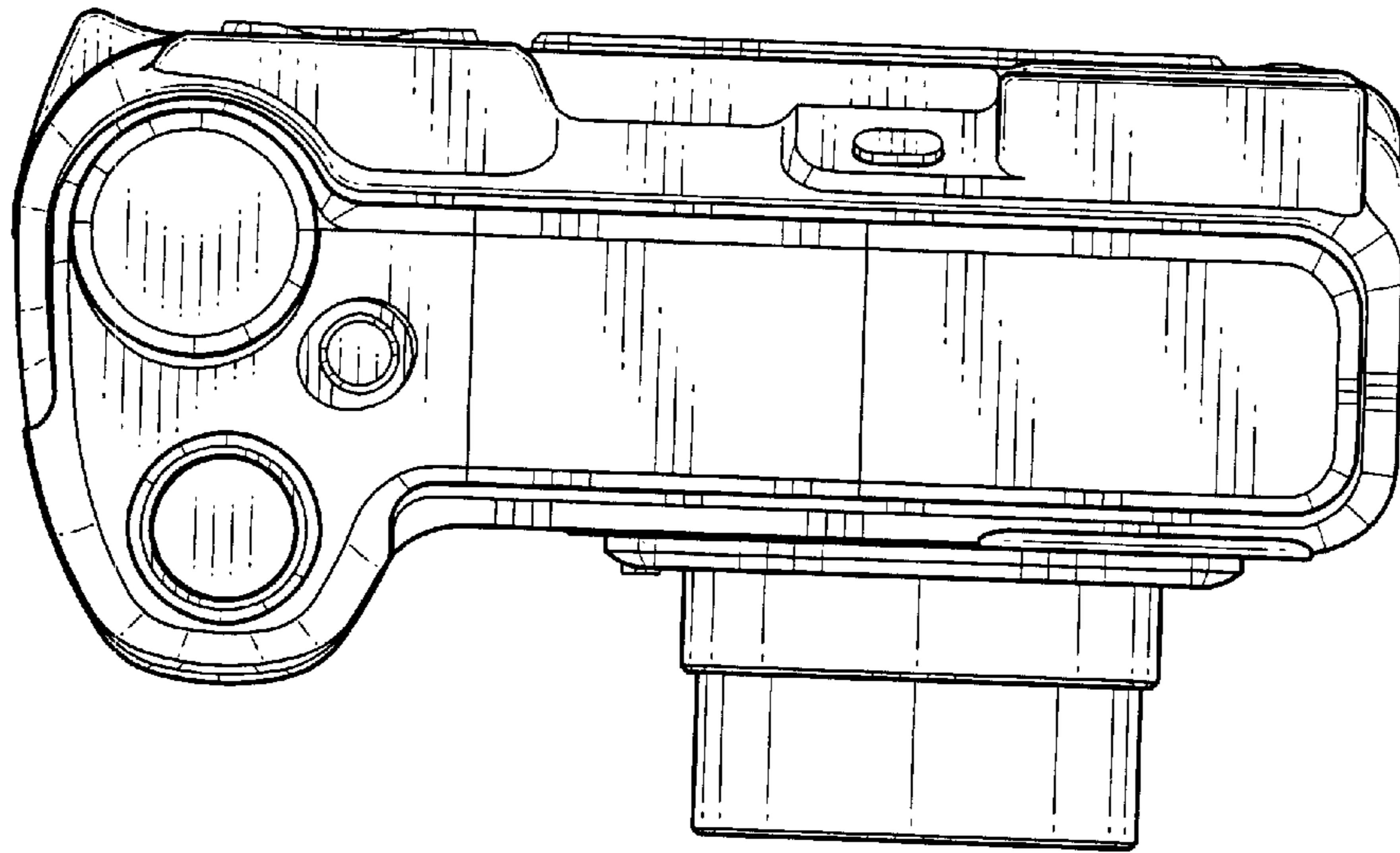


FIG.5

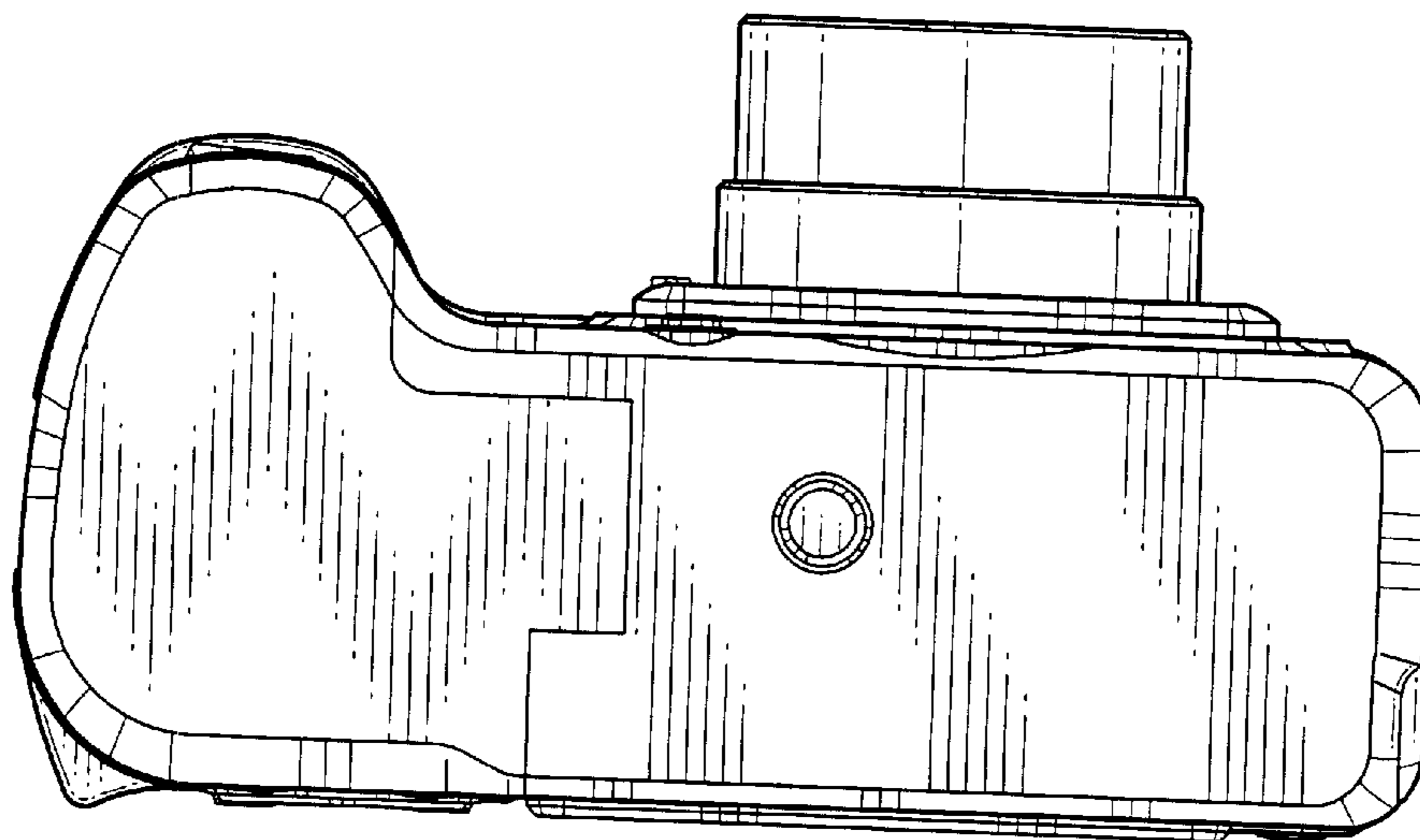


FIG.6

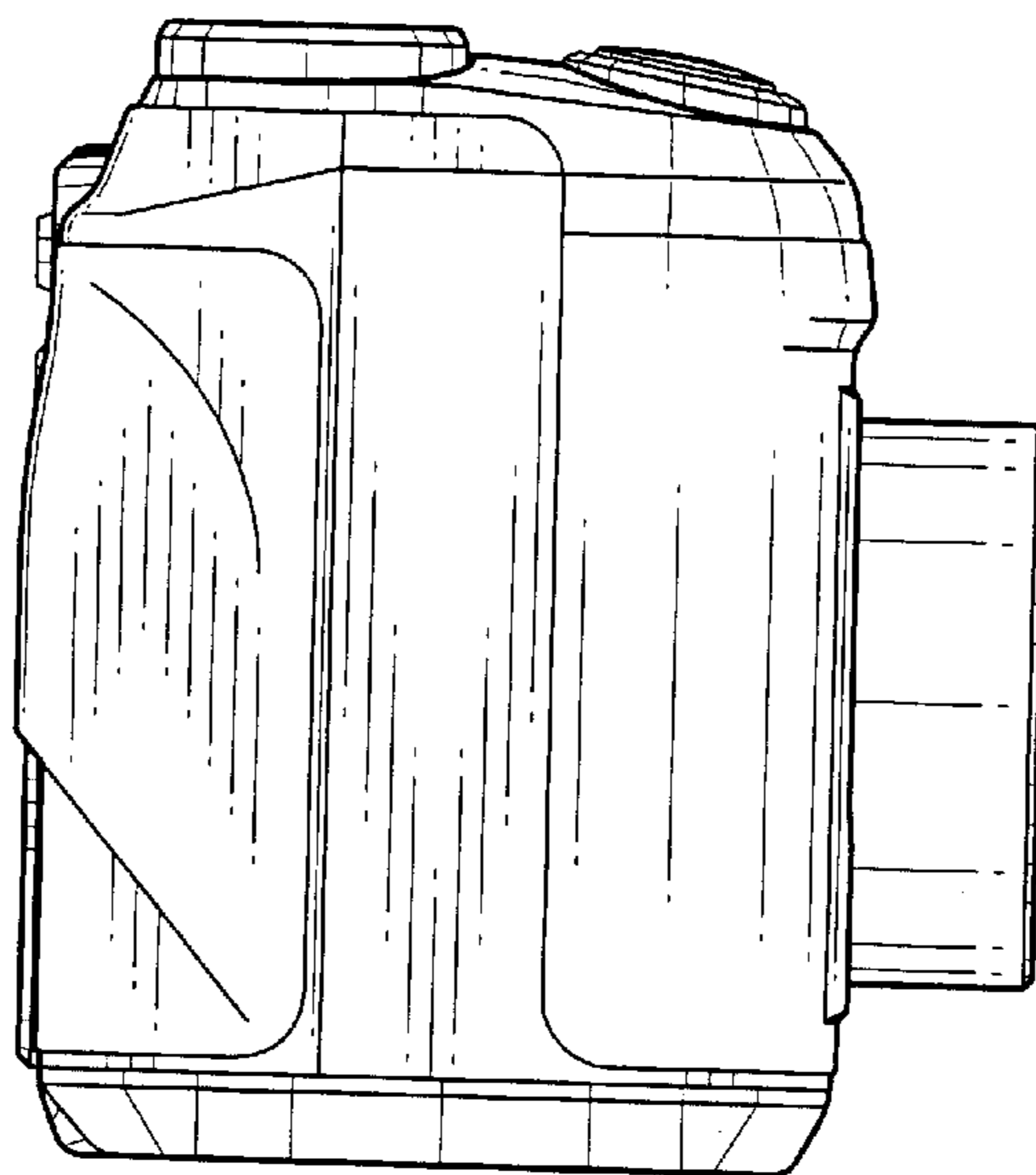


FIG.7

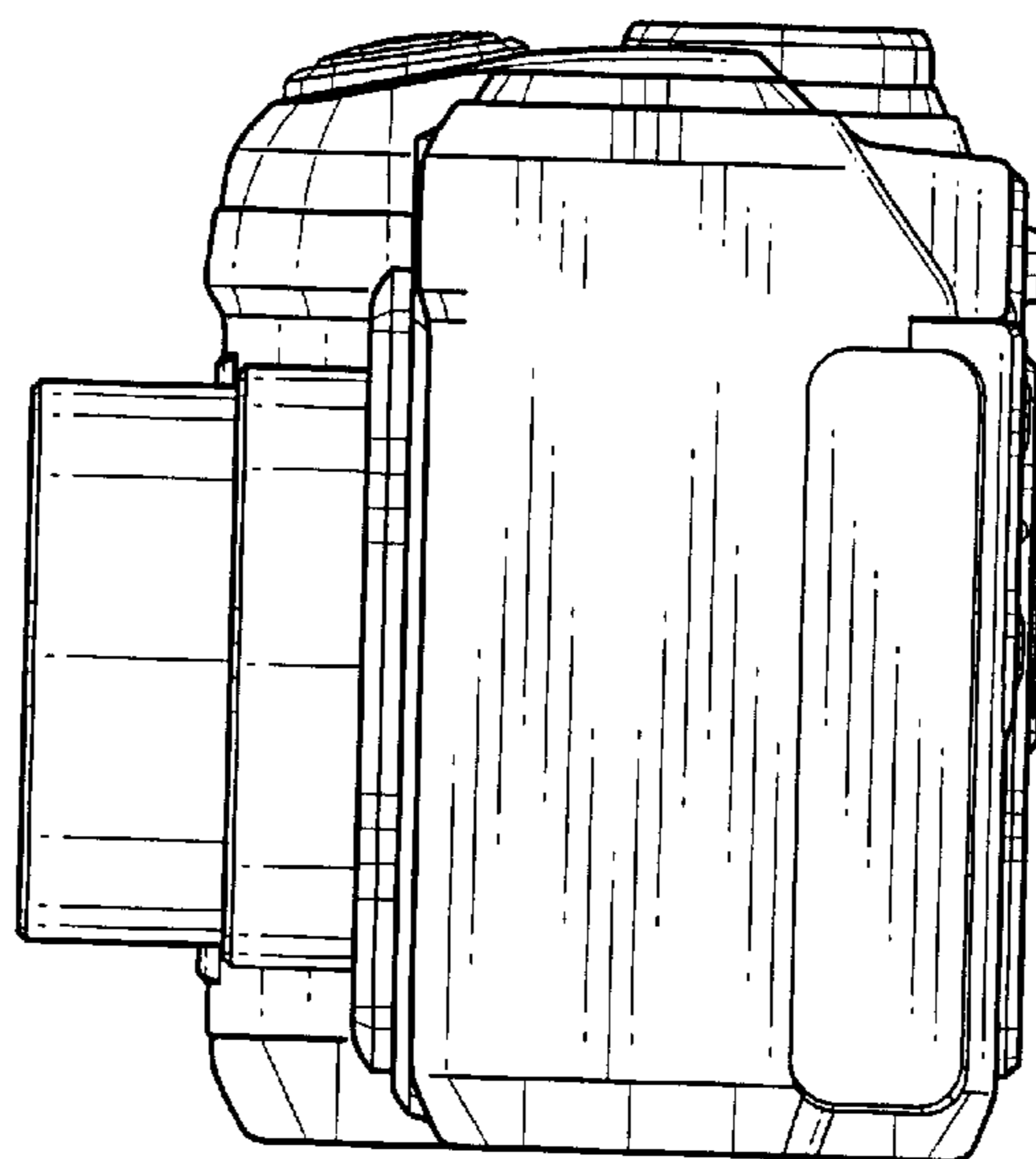


FIG. 8

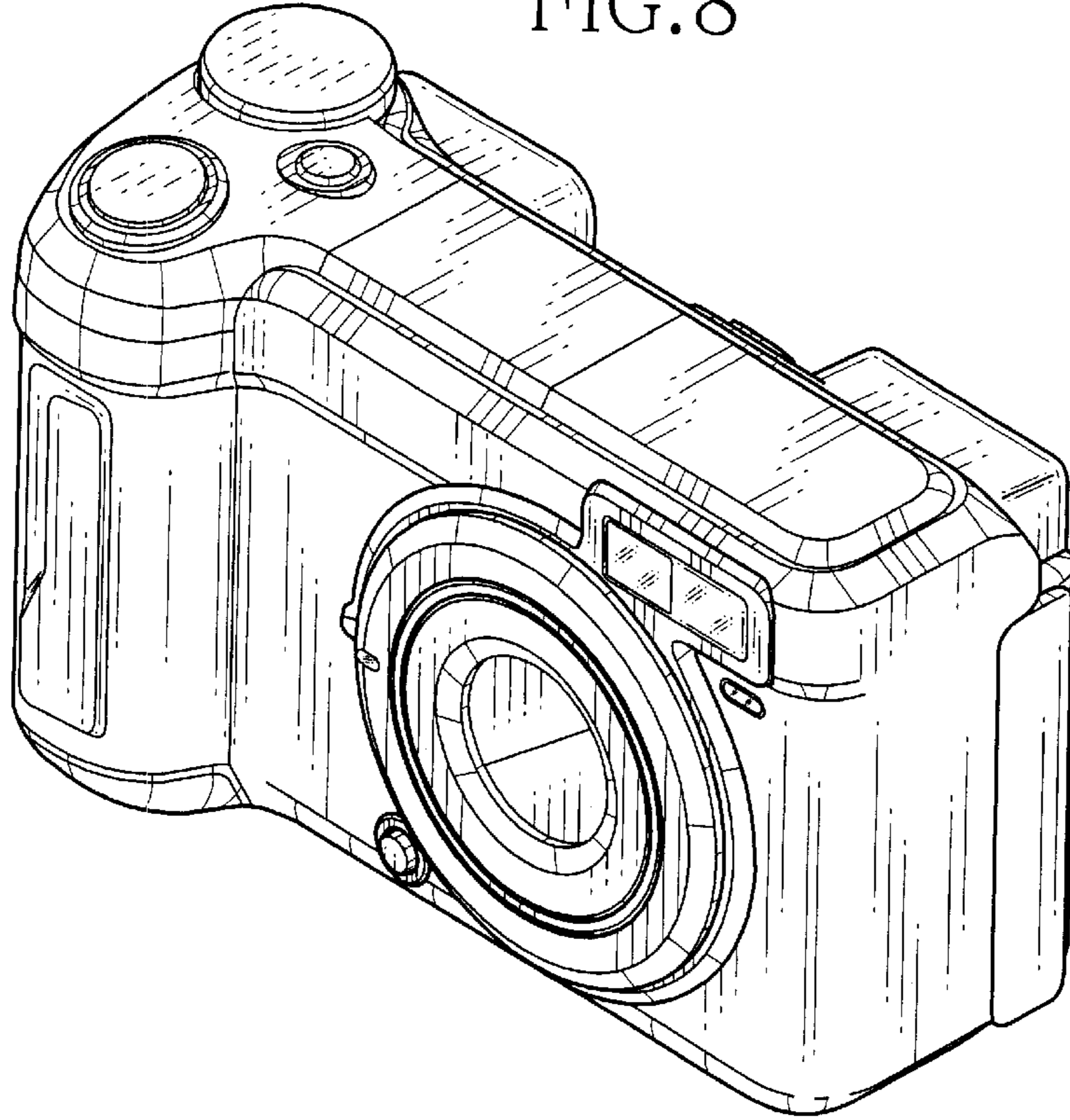


FIG. 9

