

US00D542820S

(12) **United States Design Patent**
Depay

(10) **Patent No.:** **US D542,820 S**

(45) **Date of Patent:** **** May 15, 2007**

(54) **WEBCAM**

(75) **Inventor:** **Dean Depay**, San Jose, CA (US)

(73) **Assignee:** **Hewlett-Packard Development Company, L.P.**, Houston, TX (US)

(**) **Term:** **14 Years**

(21) **Appl. No.:** **29/239,411**

(22) **Filed:** **Sep. 30, 2005**

(51) **LOC (8) Cl.** **16-01**

(52) **U.S. Cl.** **D16/202**

(58) **Field of Classification Search** D16/200-205,
D16/208, 218; 348/373-376; 358/909.1;
396/535-541

See application file for complete search history.

(56) **References Cited**

U.S. PATENT DOCUMENTS

D296,551 S * 7/1988 Mizogui D16/202
D458,288 S * 6/2002 Nakano et al. D16/202

D472,258 S * 3/2003 Yin et al. D16/202
D473,885 S * 4/2003 Horikiri et al. D16/202
D481,747 S * 11/2003 Tanaka D16/202
D483,387 S * 12/2003 Chang et al. D16/202
6,683,653 B1 * 1/2004 Miyake et al. 348/373
D519,141 S * 4/2006 Hayashi D16/202
D527,403 S * 8/2006 Byun et al. D16/202

* cited by examiner

Primary Examiner—Adir Aronovich

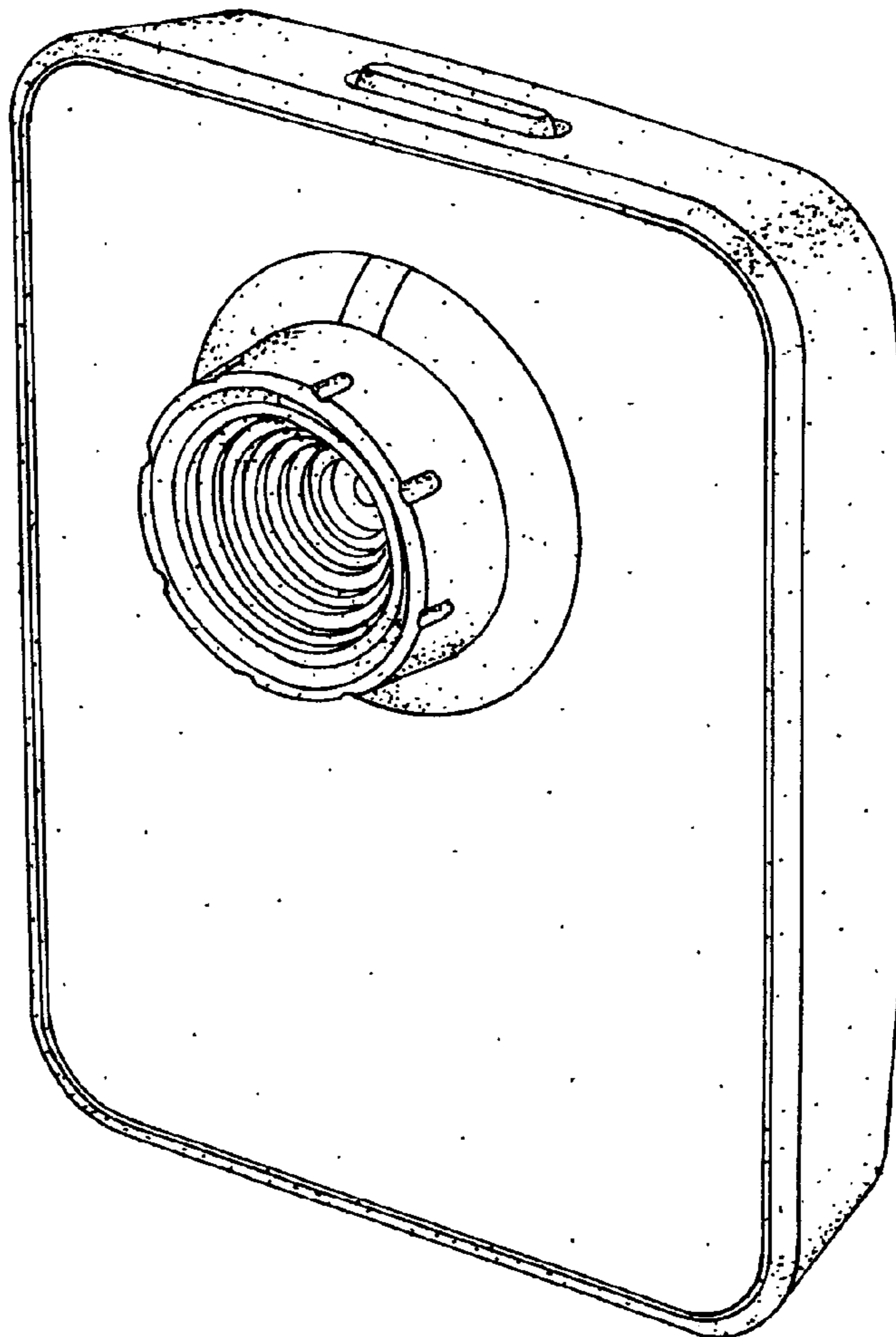
(57) **CLAIM**

The ornamental design for a webcam, as shown.

DESCRIPTION

FIG. 1 is a front, right and top perspective view of a webcam showing my new design;
FIG. 2 is a front elevational view thereof;
FIG. 3 is a right side elevational view thereof;
FIG. 4 is a rear elevational view thereof;
FIG. 5 is a top plan view thereof; and,
FIG. 6 is a bottom plan view thereof.

1 Claim, 2 Drawing Sheets



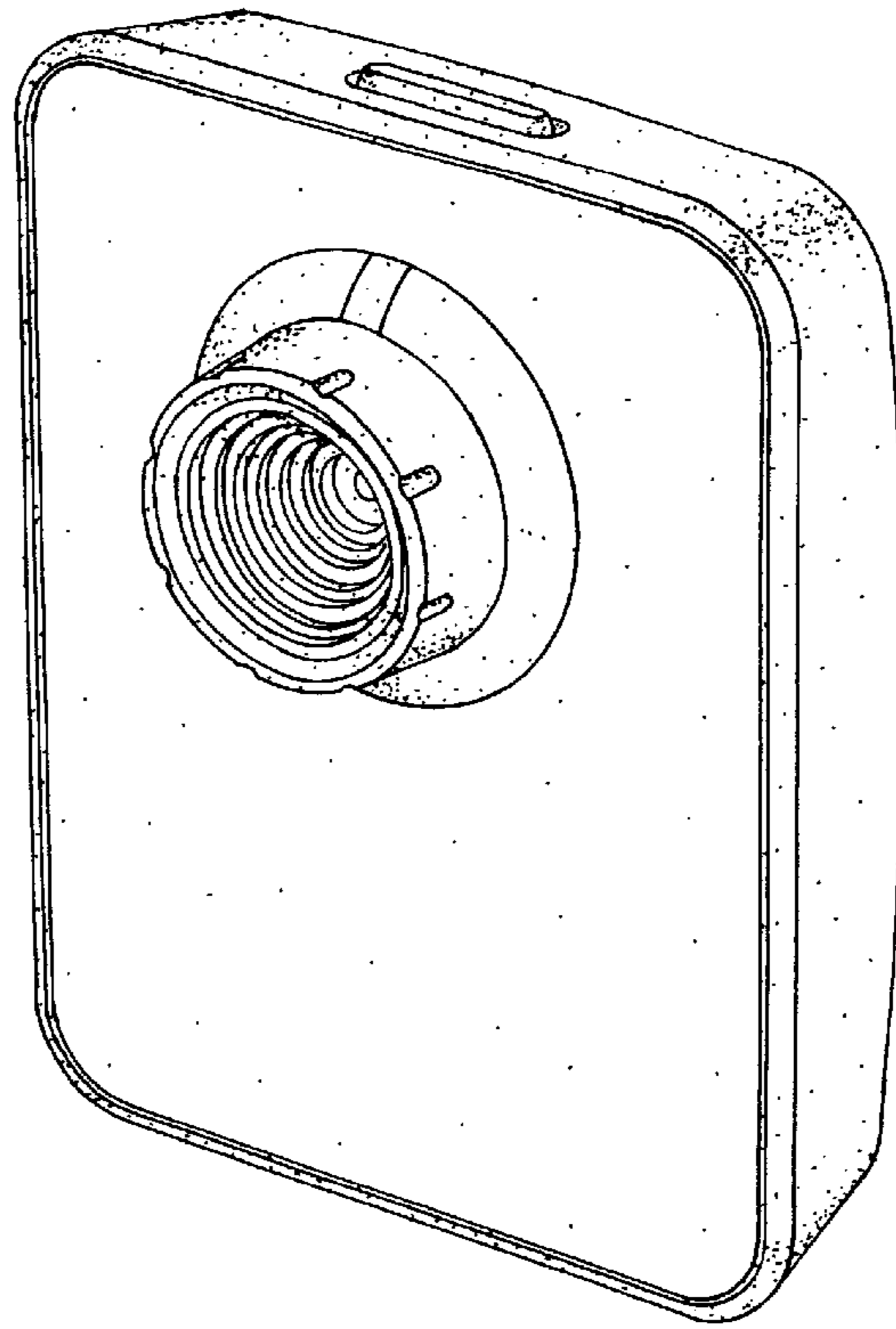


Fig. 1

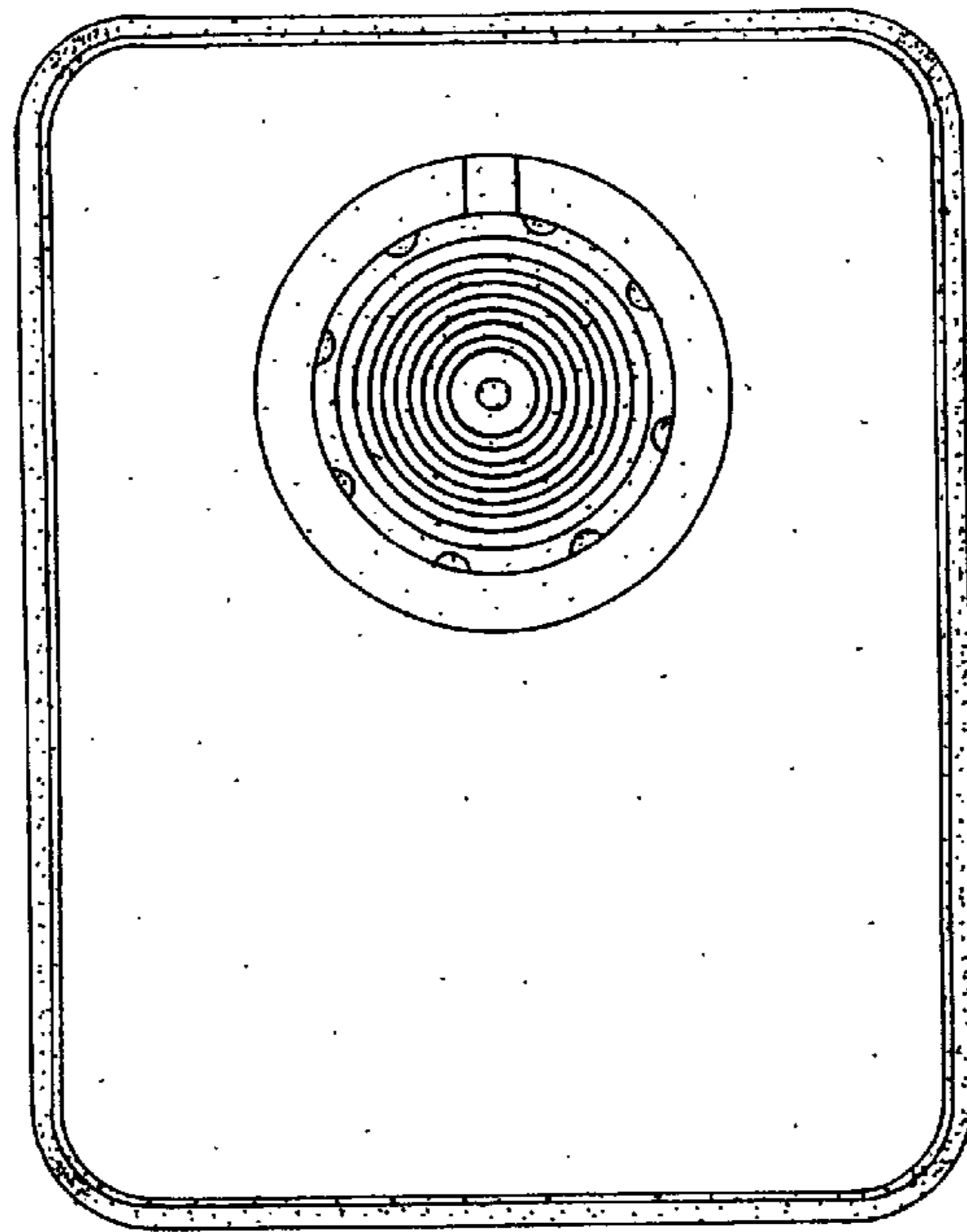


Fig. 2

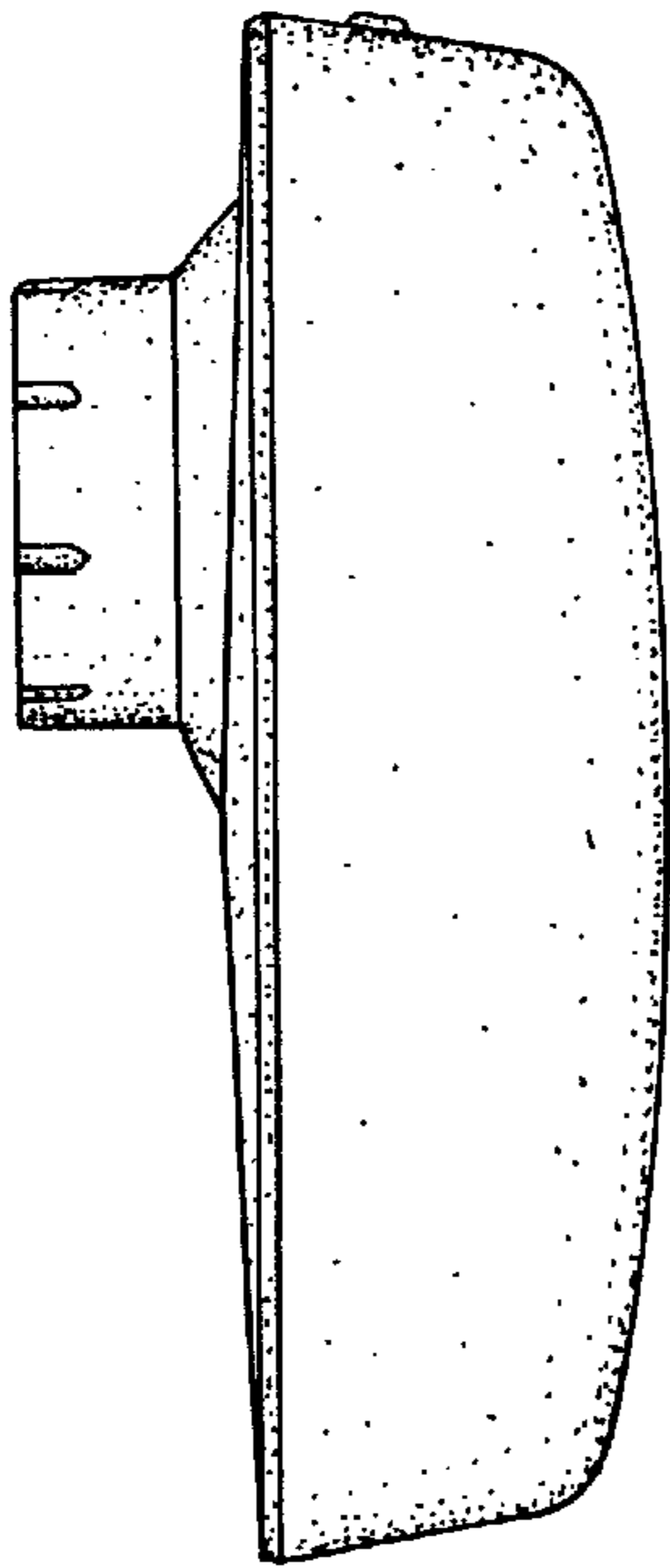


Fig. 3

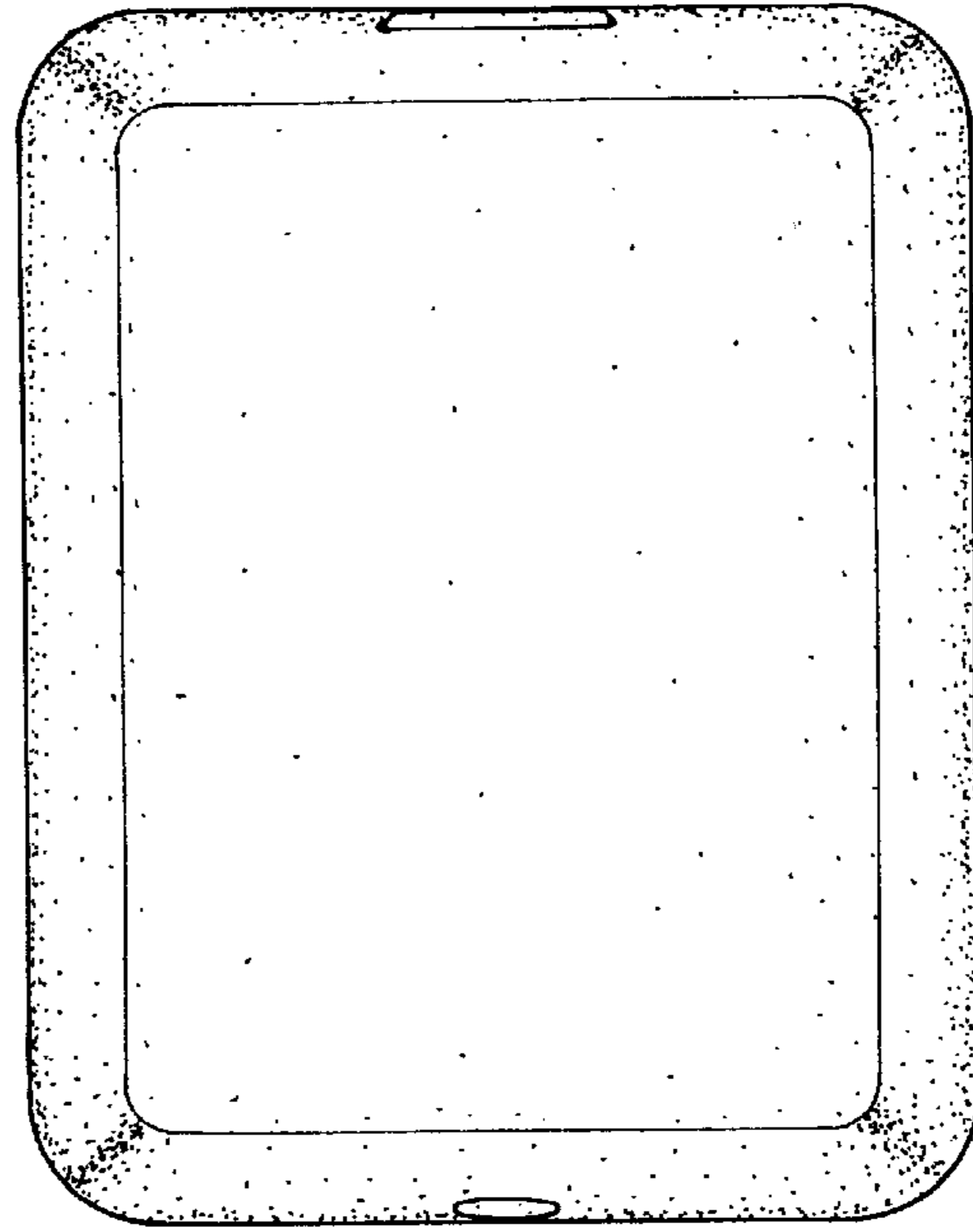


Fig. 4

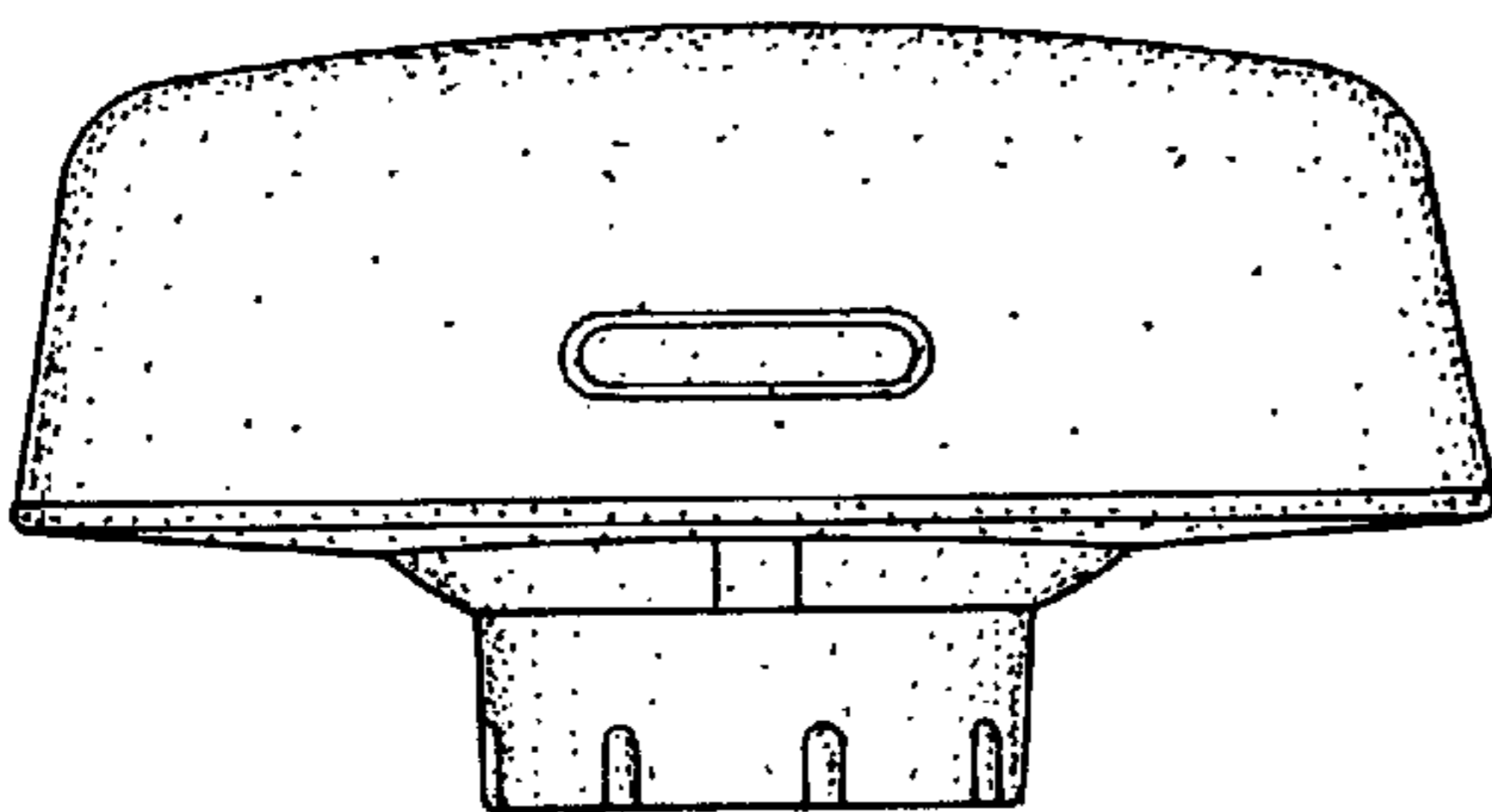


Fig. 5

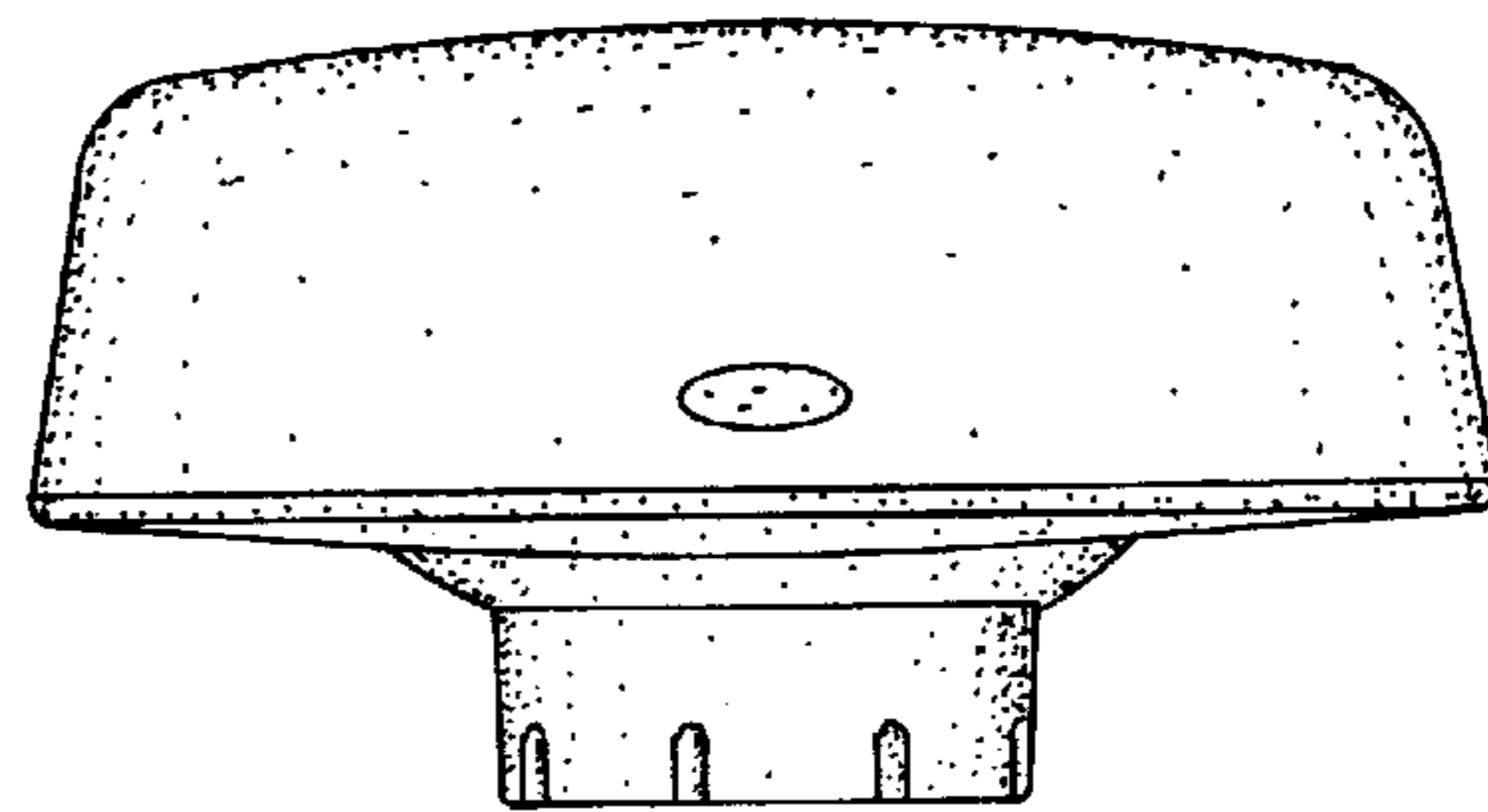


Fig. 6