

US00D542819S

(12) **United States Design Patent**  
**Hayashi et al.**

(10) **Patent No.: US D542,819 S**

(45) **Date of Patent: \*\* May 15, 2007**

(54) **CAMCORDER**

D435,575 S \* 12/2000 Kanatani ..... D16/202  
D502,478 S \* 3/2005 Iinuma et al. .... D16/202

(75) Inventors: **Eiichirou Hayashi**, Tokyo (JP);  
**Tatsuya Narita**, Yokohama (JP); **Shuji**  
**Tanifuji**, Yokohama (JP)

\* cited by examiner

*Primary Examiner*—Adir Aronovich

(73) Assignee: **Victor Company of Japan, Limited**,  
Yokohama-shi, Kanagawa (JP)

(74) *Attorney, Agent, or Firm*—Nath & Associates PLLC;  
Gregory B. Kang; Matthew J. Moffa

(\*\*) Term: **14 Years**

(57) **CLAIM**

The ornamental design for a camcorder, as shown and described.

(21) Appl. No.: **29/207,506**

**DESCRIPTION**

(22) Filed: **Jun. 16, 2004**

(30) **Foreign Application Priority Data**

Dec. 19, 2003 (JP) ..... D2003-037527

(51) **LOC (8) Cl.** ..... **16-01**

(52) **U.S. Cl.** ..... **D16/202**

(58) **Field of Classification Search** ..... D16/200–206,  
D16/208, 218; 348/373–376; 358/906; 396/535–541  
See application file for complete search history.

FIG. 1 is a front and right side perspective view of a camcorder showing our new design; FIG. 2 is a front elevational view thereof; FIG. 3 rear elevational view thereof; FIG. 4 is a top plan view thereof; FIG. 5 is a bottom plan view thereof; FIG. 6 is a right side elevational view thereof; FIG. 7 is a left side elevational view thereof; and, FIG. 8 is a rear and right side perspective view showing the camcorder with its screen panel in an opened position. The portions of the camcorder in broken lines are shown for illustrative purposes only and form no part of the claimed design.

The pattern of dashed lines illustrated in all views represents darker contrast on the camera surfaces.

(56) **References Cited**

**U.S. PATENT DOCUMENTS**

D408,428 S \* 4/1999 Ninomiya et al. .... D16/202  
D410,017 S \* 5/1999 Goto et al. .... D16/202  
D413,911 S \* 9/1999 Goto et al. .... D16/202  
6,115,069 A \* 9/2000 Kuroki et al. .... 348/375

**1 Claim, 8 Drawing Sheets**

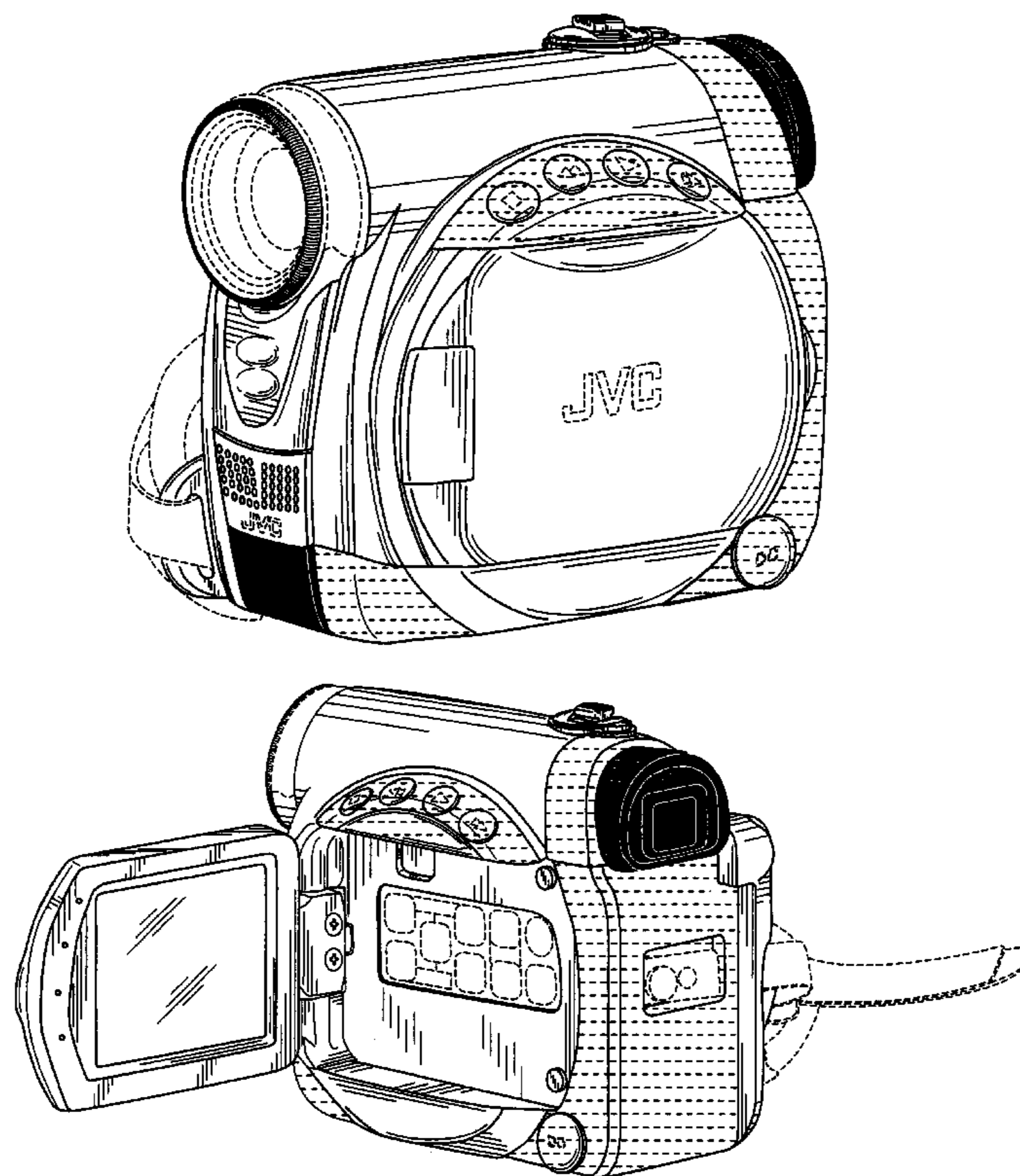


Fig.1

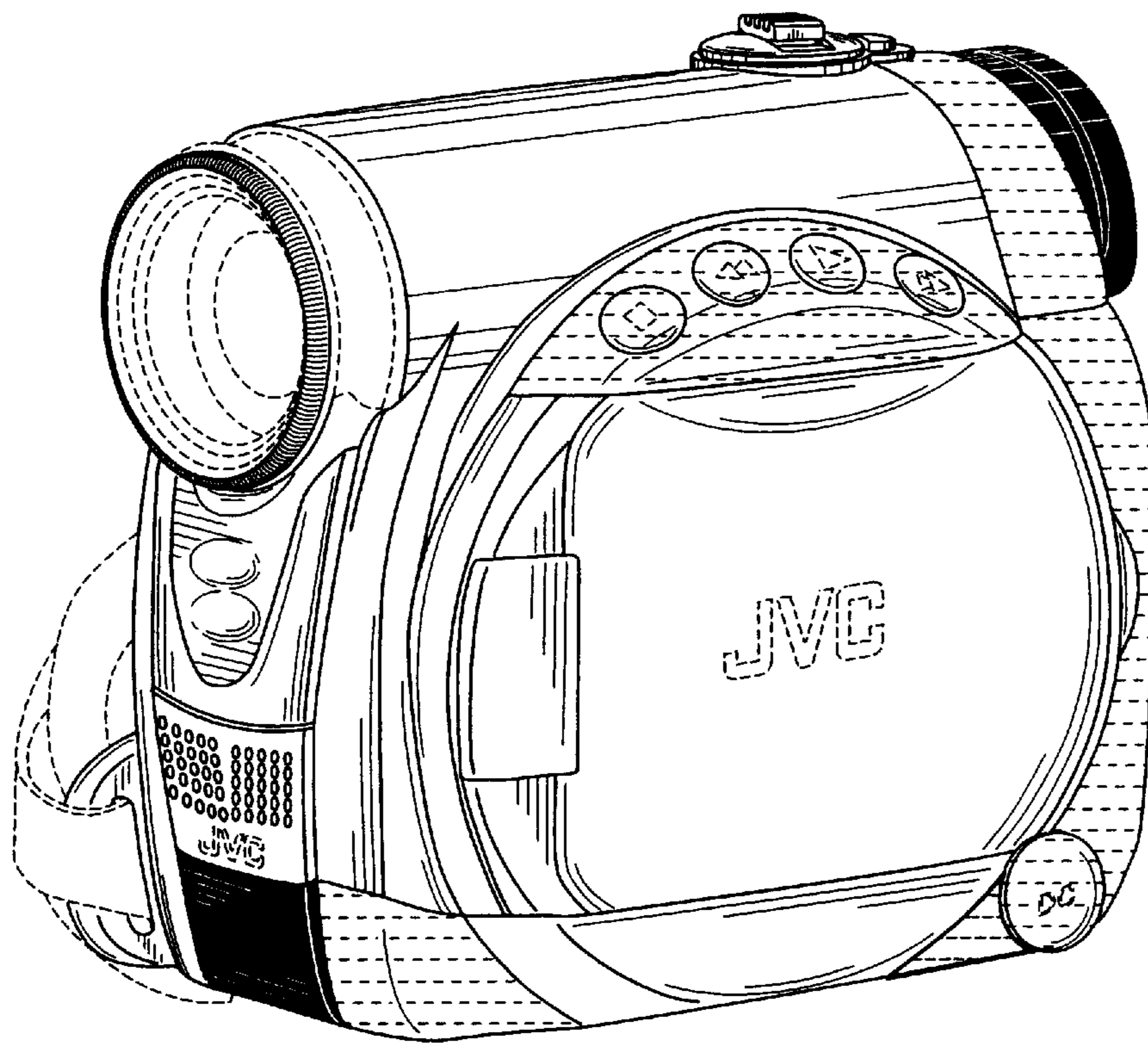


Fig.2

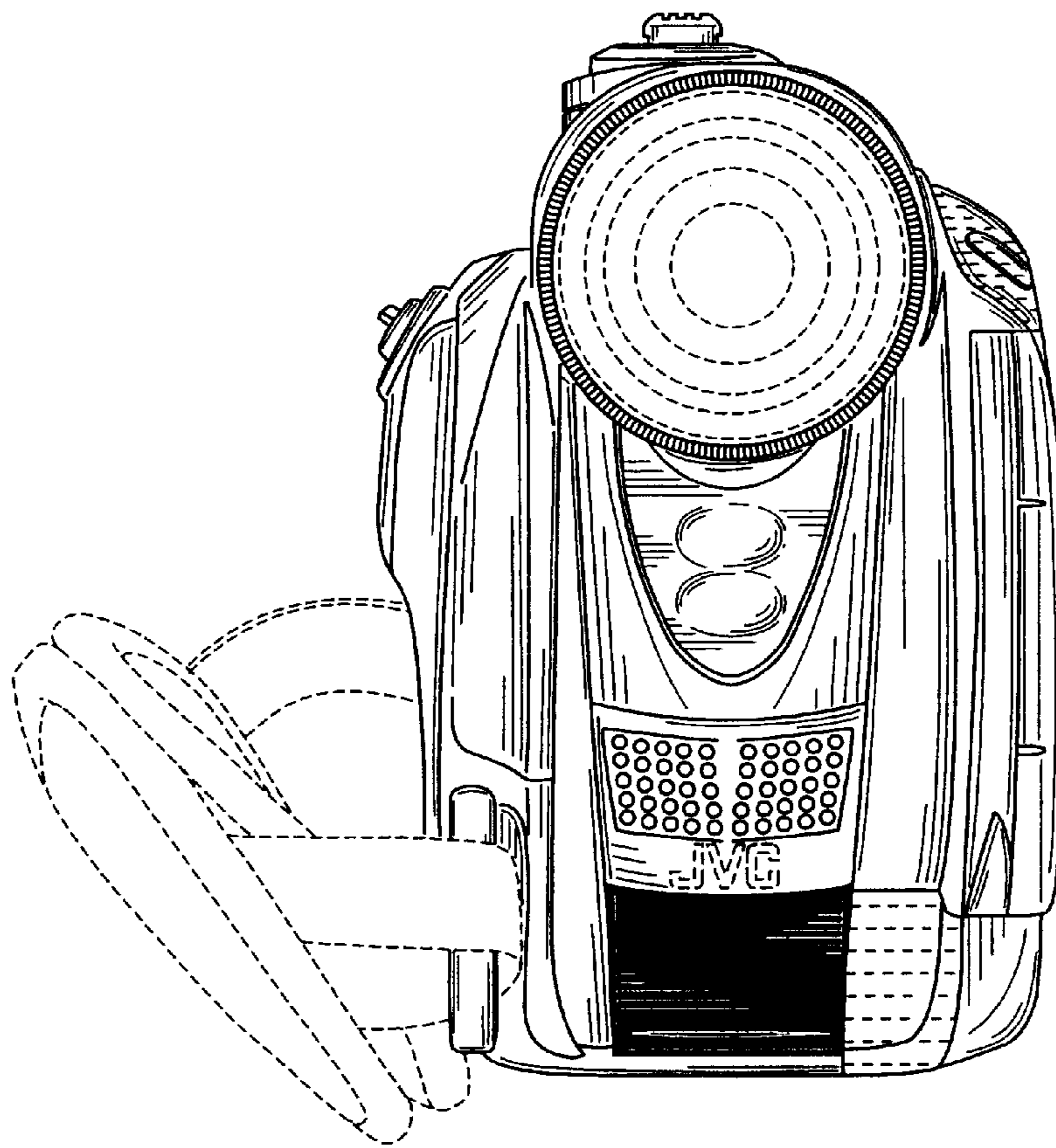


Fig.3

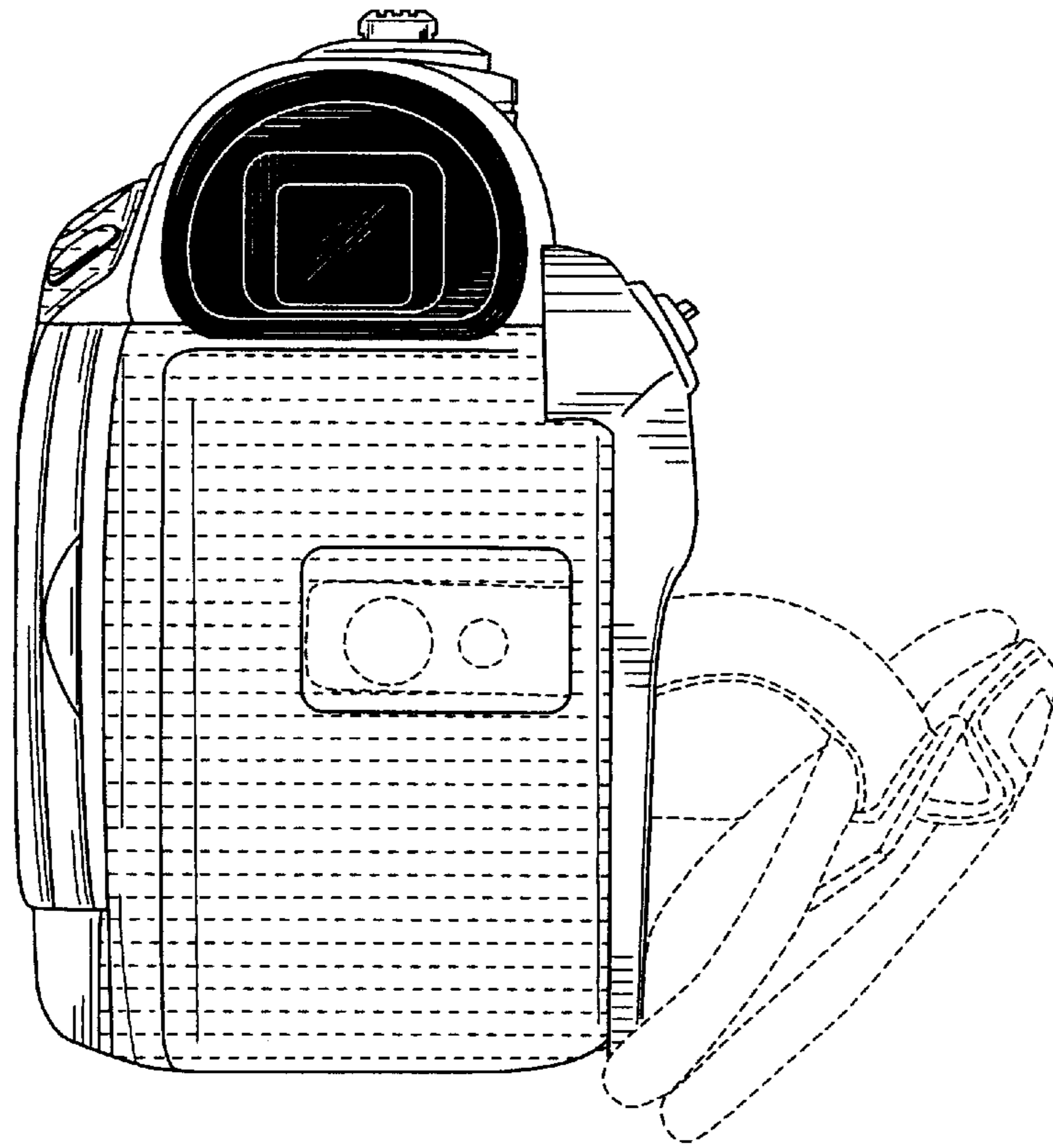




Fig.4

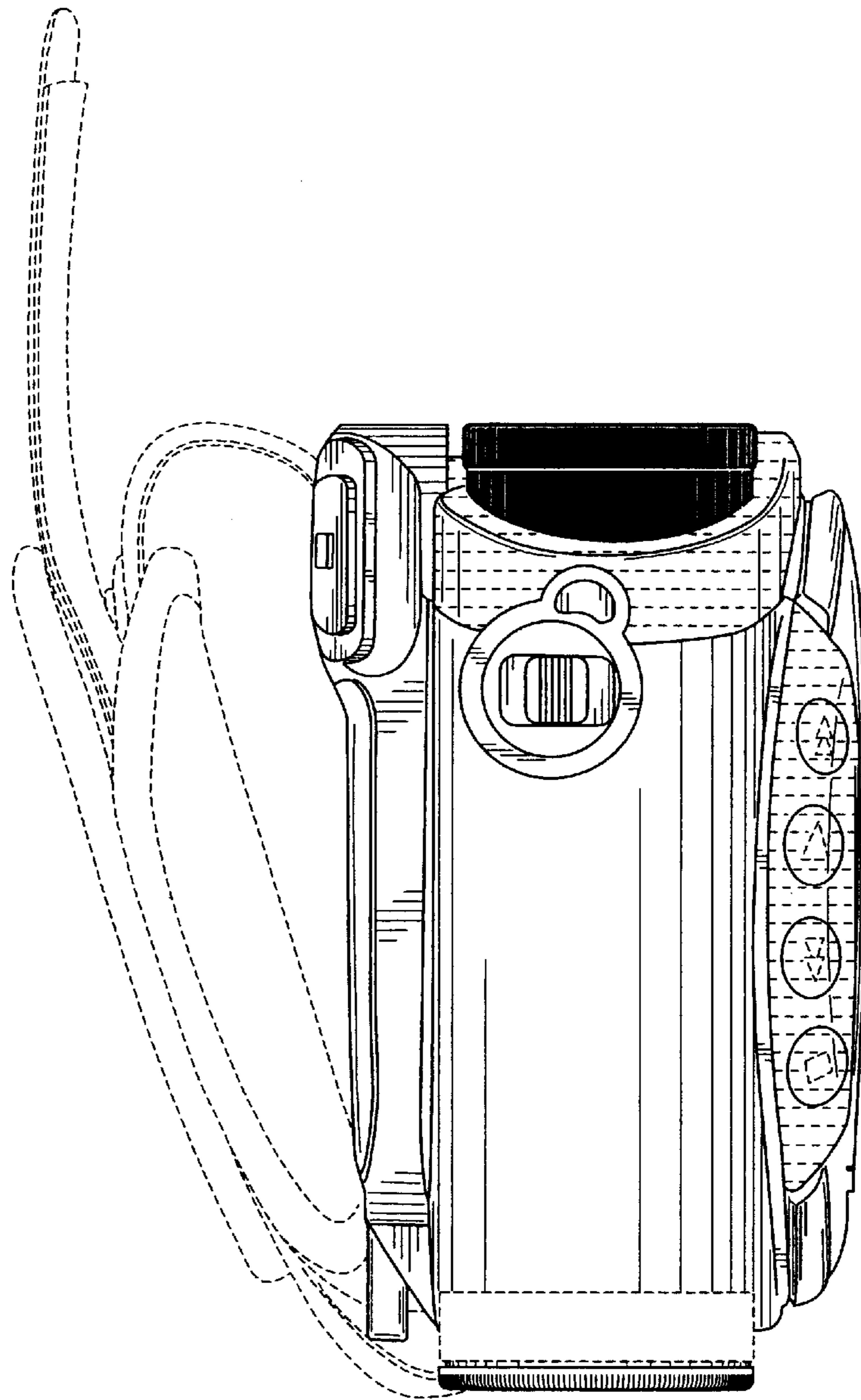


Fig.5

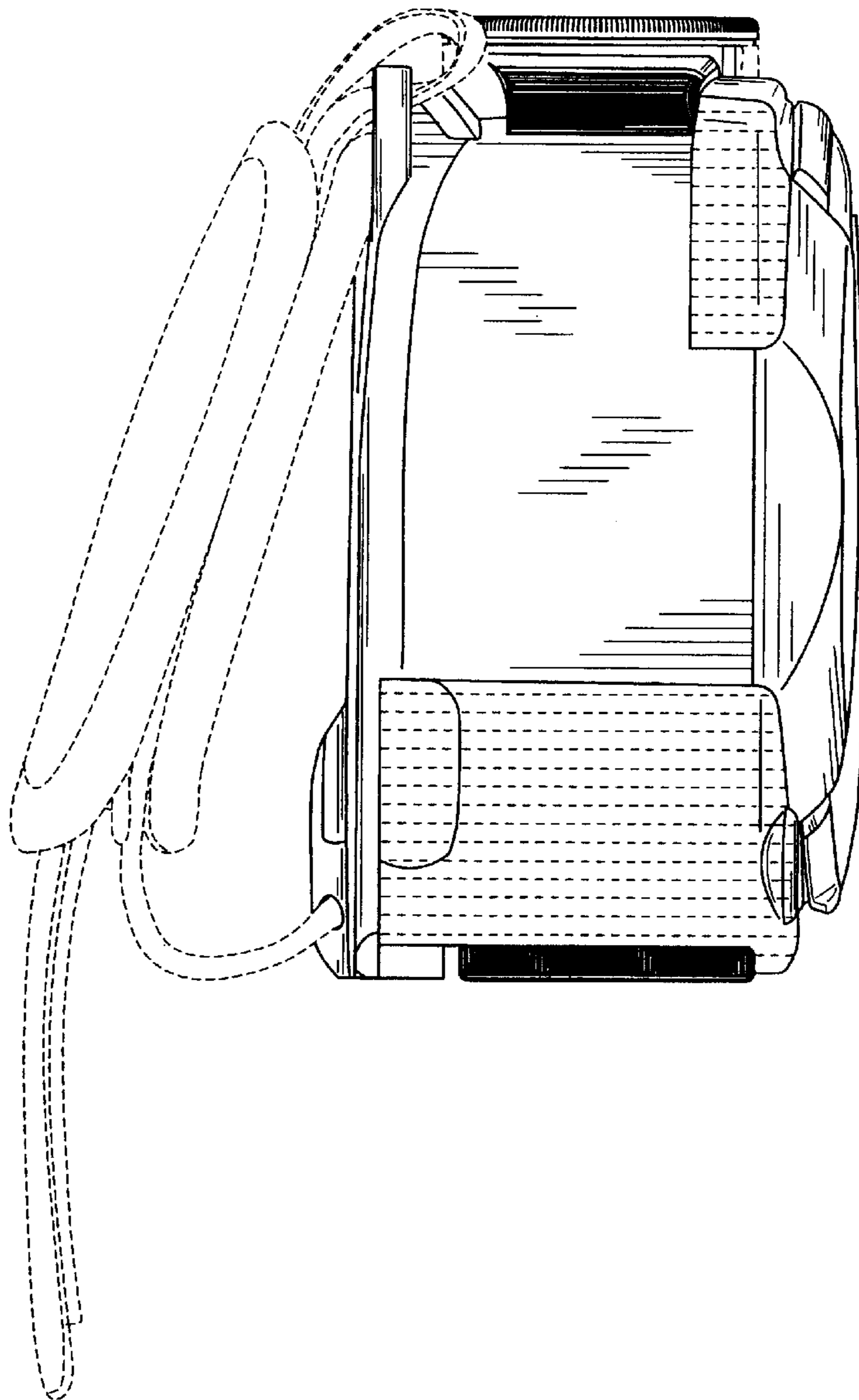


Fig.6

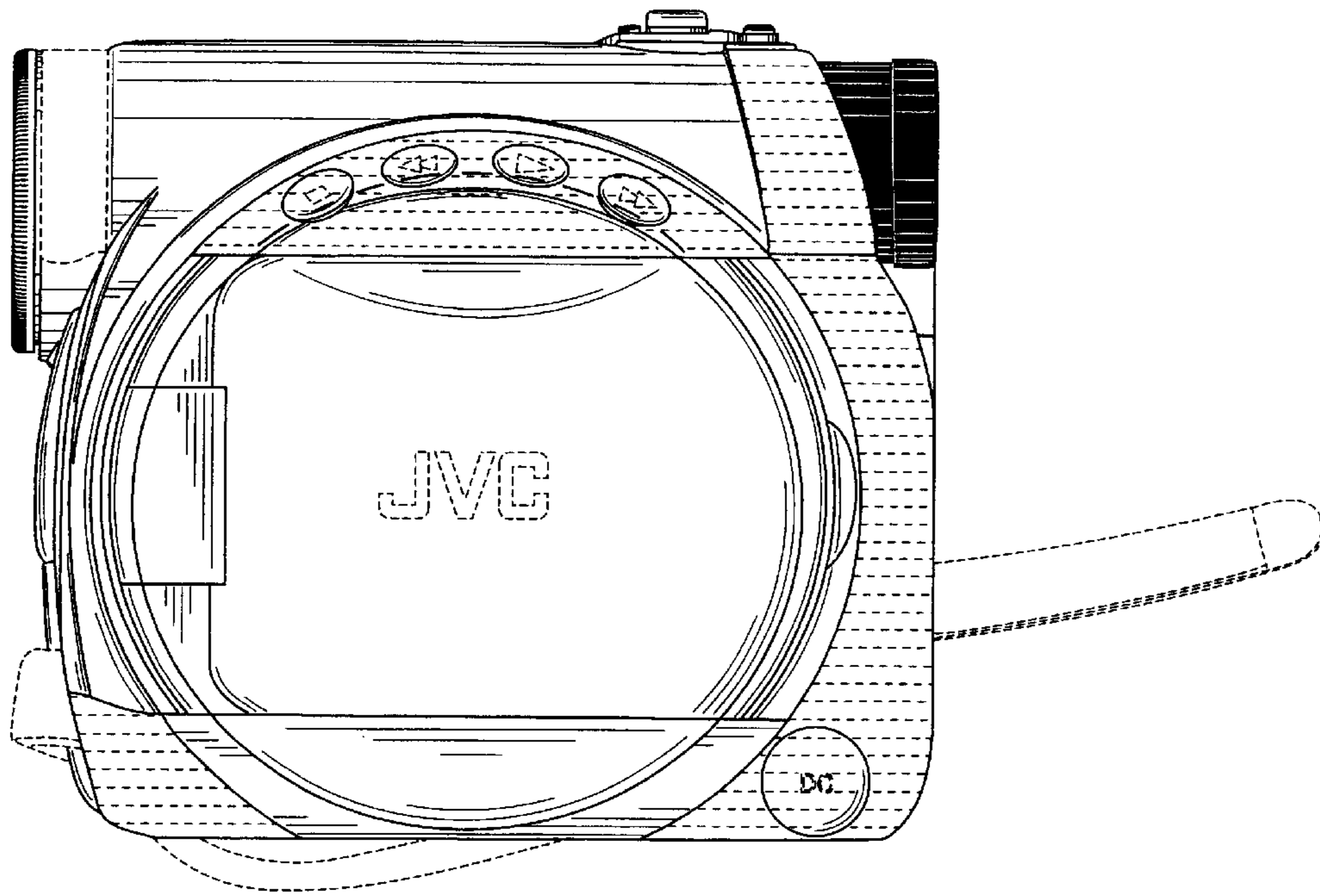


Fig.7

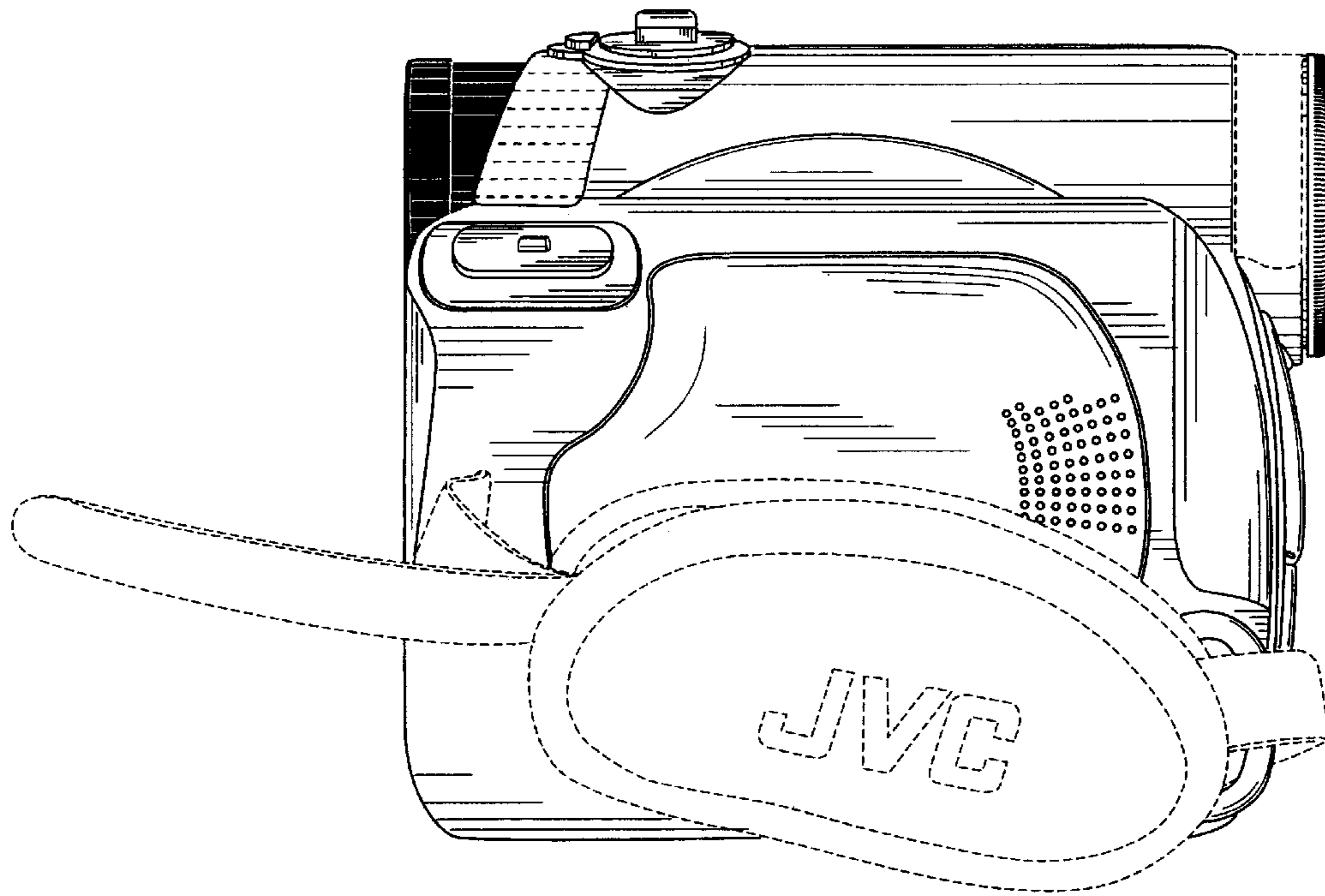




Fig.8

