

US00D542818S

(12) **United States Design Patent**
Lund

(10) **Patent No.:** **US D542,818 S**

(45) **Date of Patent:** **** May 15, 2007**

(54) **OIL FILL NECK**

(75) Inventor: **Ben M. Lund**, Wales, WI (US)

(73) Assignee: **Harley-Davidson Motor Company Group, Inc.**, Milwaukee, WI (US)

(**) Term: **14 Years**

(21) Appl. No.: **29/233,461**

(22) Filed: **Jul. 1, 2005**

(51) **LOC (8) Cl.** **15-09**

(52) **U.S. Cl.** **D15/150**

(58) **Field of Classification Search** D15/150,
D15/152; 141/98, 331-345; 184/105.1; 220/86.1,
220/86.2

See application file for complete search history.

(56) **References Cited**

U.S. PATENT DOCUMENTS

1,650,021	A	*	11/1927	Magee	184/105.1
4,515,245	A	*	5/1985	Salmon	184/105.1
4,991,634	A	*	2/1991	Tudek	184/105.1
4,993,517	A	*	2/1991	Leipelt et al.	220/253
5,291,925	A	*	3/1994	Marrucchi	141/329
5,385,179	A	*	1/1995	Bates et al.	220/86.2
7,017,626	B2	*	3/2006	Giesselmann et al.	220/244
2004/0159367	A1	*	8/2004	Giesselmann et al.	220/86.2
2004/0182649	A1	*	9/2004	Estacio	184/105.1

OTHER PUBLICATIONS

Fig. A illustrates an oil fill neck.

Fig. B illustrates an oil fill neck.

* cited by examiner

Primary Examiner—Antoine D. Davis

Assistant Examiner—Patricia Palasik

(74) *Attorney, Agent, or Firm*—Michael Best & Friedrich LLP

(57) **CLAIM**

I claim the ornamental design for an oil fill neck, as shown and described.

DESCRIPTION

FIG. 1 is a perspective view of an oil fill neck embodying the present invention.

FIG. 2 is a front view of the oil fill neck shown in FIG. 1.

FIG. 3 is a rear view of the oil fill neck shown in FIG. 1.

FIG. 4 is a side view of the oil fill neck shown in FIG. 1.

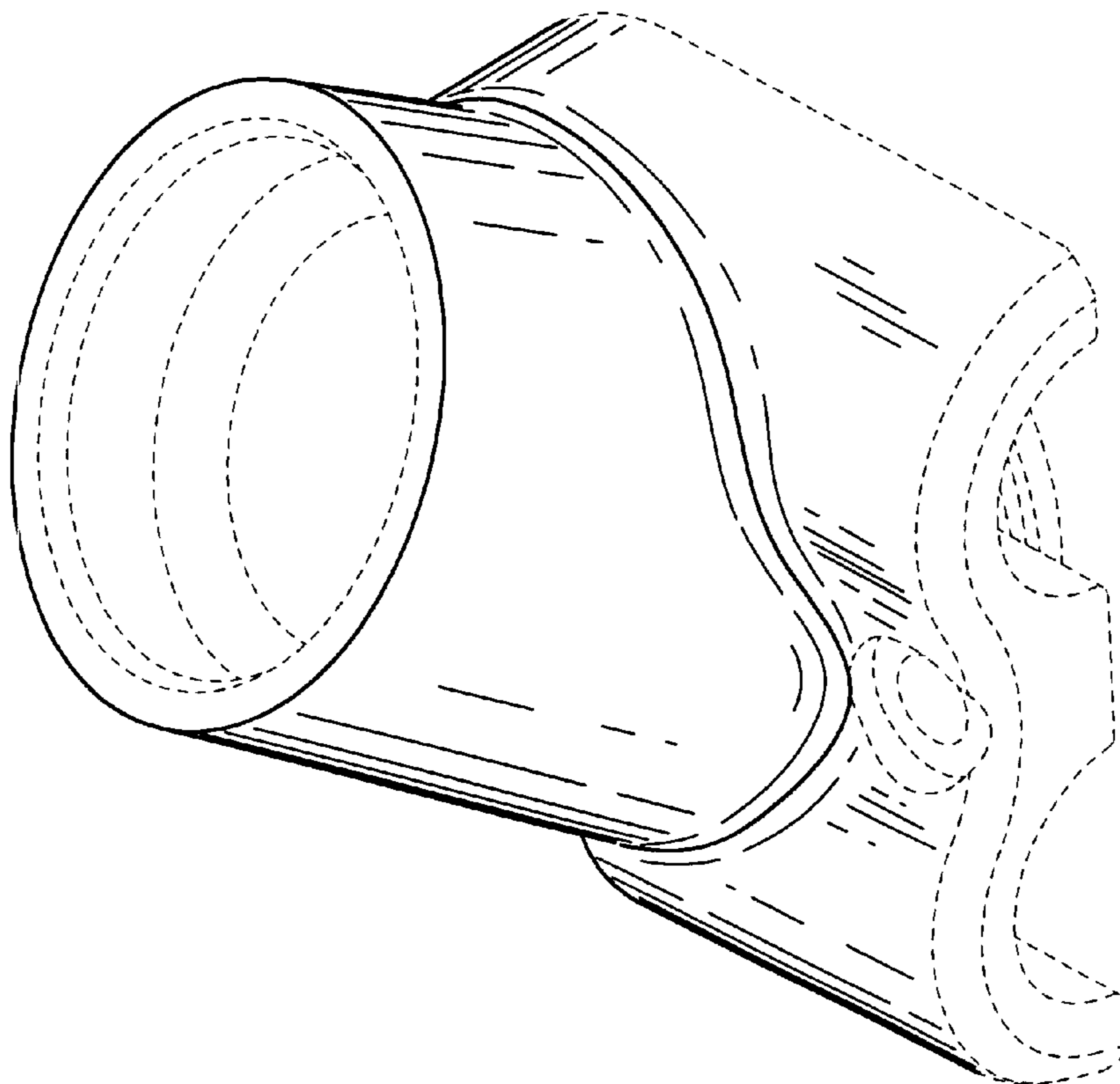
FIG. 5 is an opposite side view of the oil fill neck shown in FIG. 1.

FIG. 6 is a bottom view of the oil fill neck shown in FIG. 1; and,

FIG. 7 is a top view of the oil fill neck shown in FIG. 1.

The broken line showing of the environment is for illustrative purposes only and forms no part of the claimed design.

1 Claim, 4 Drawing Sheets



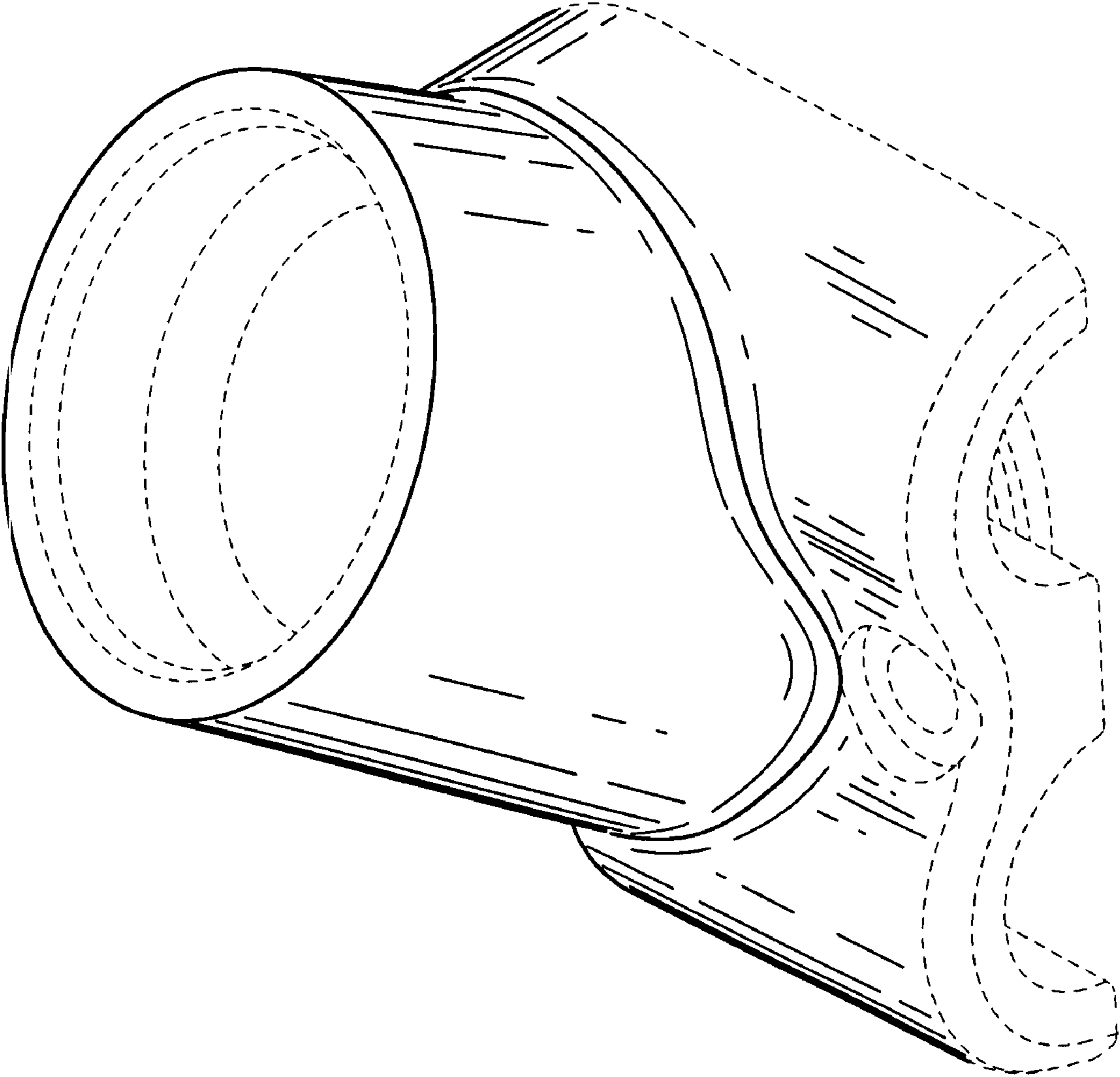


FIG. 1

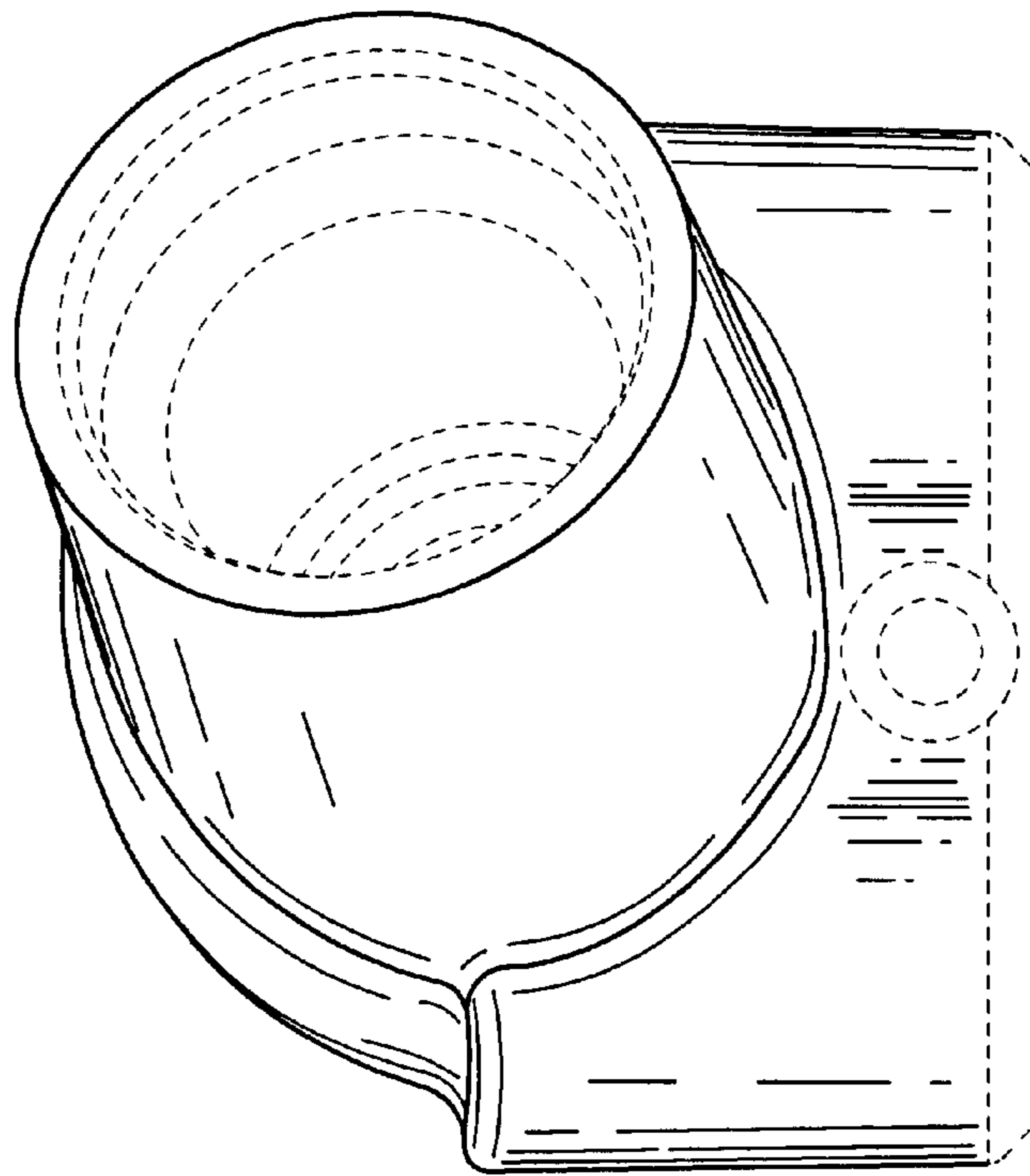


FIG. 2

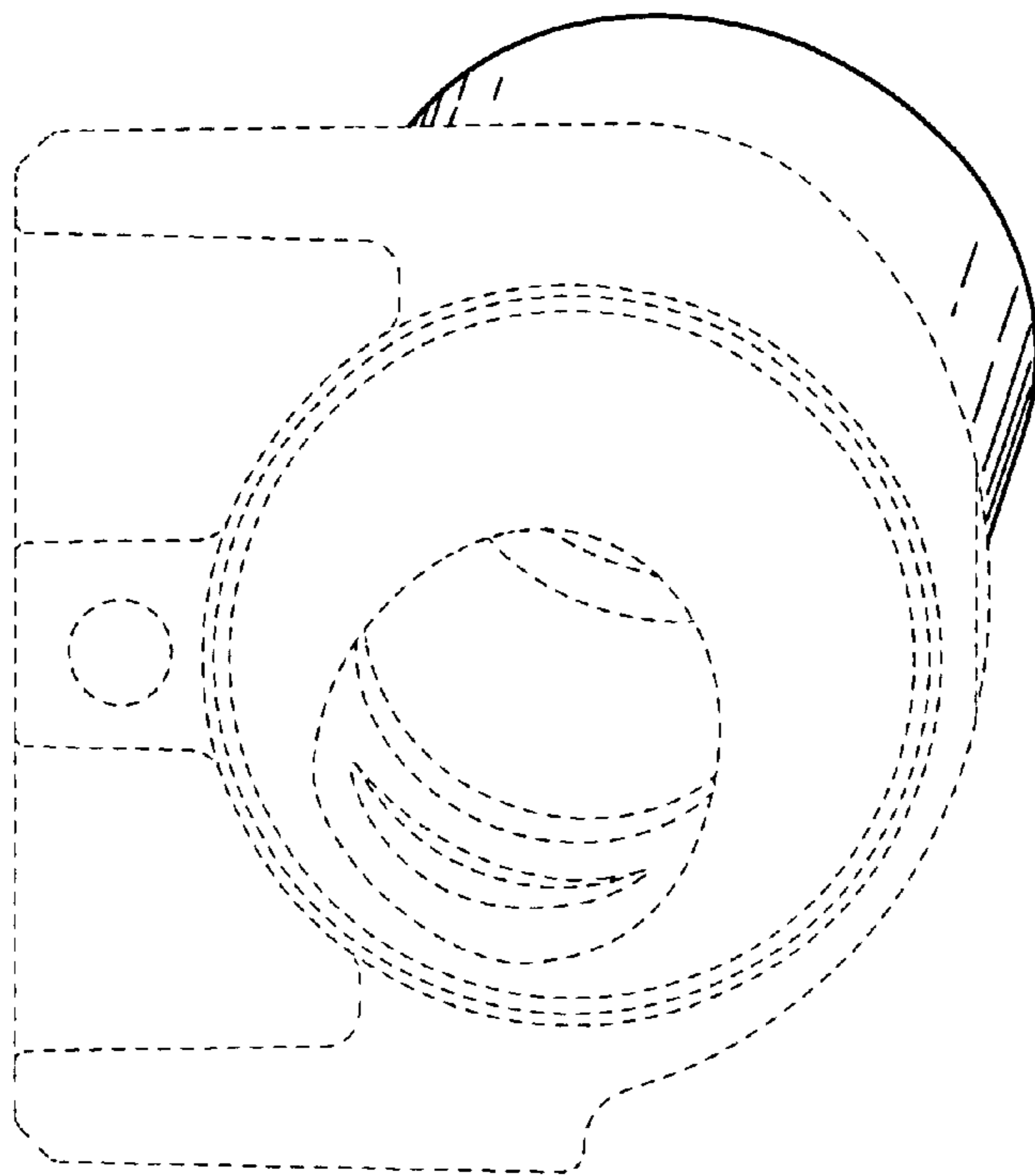


FIG. 3

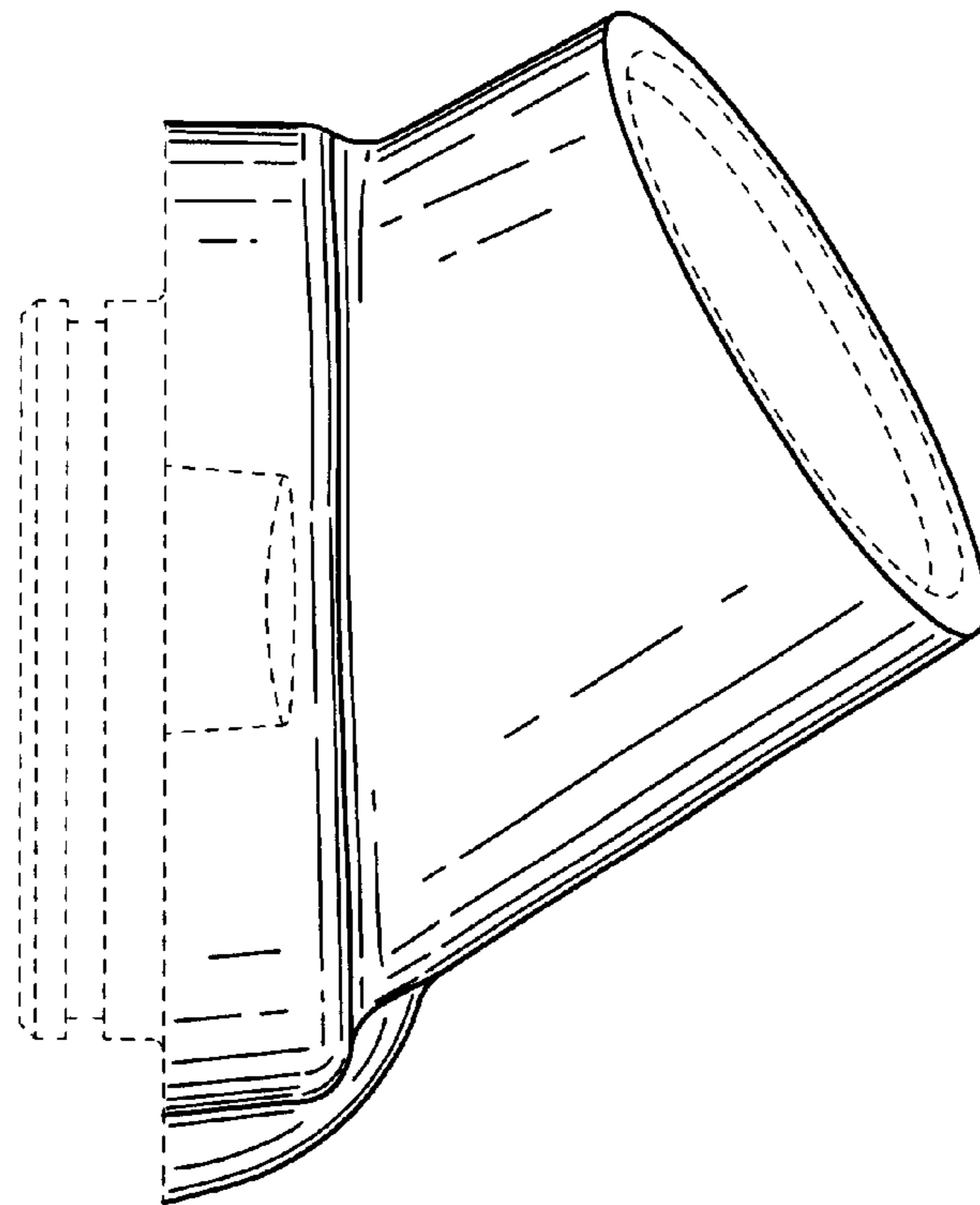


FIG. 4

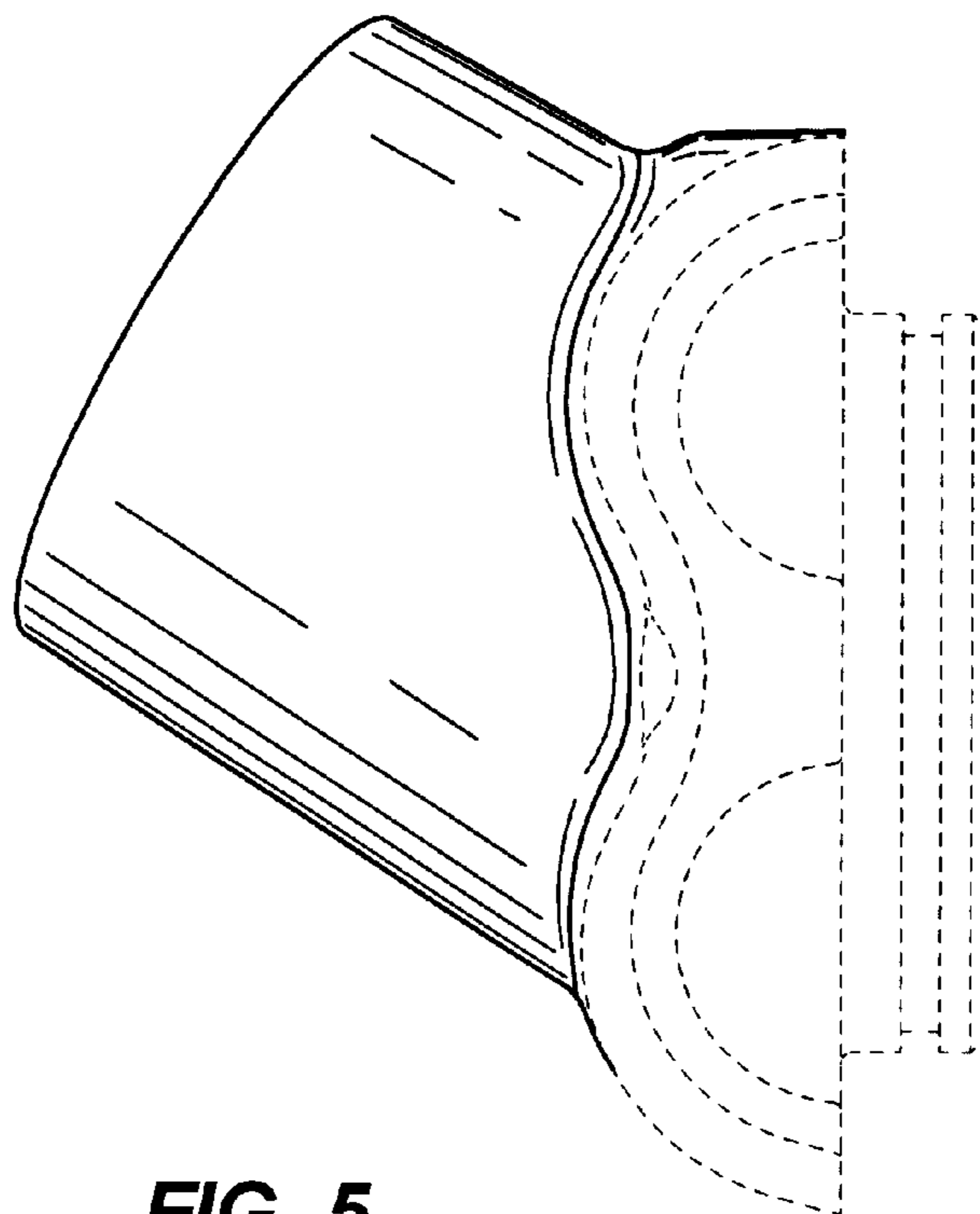


FIG. 5

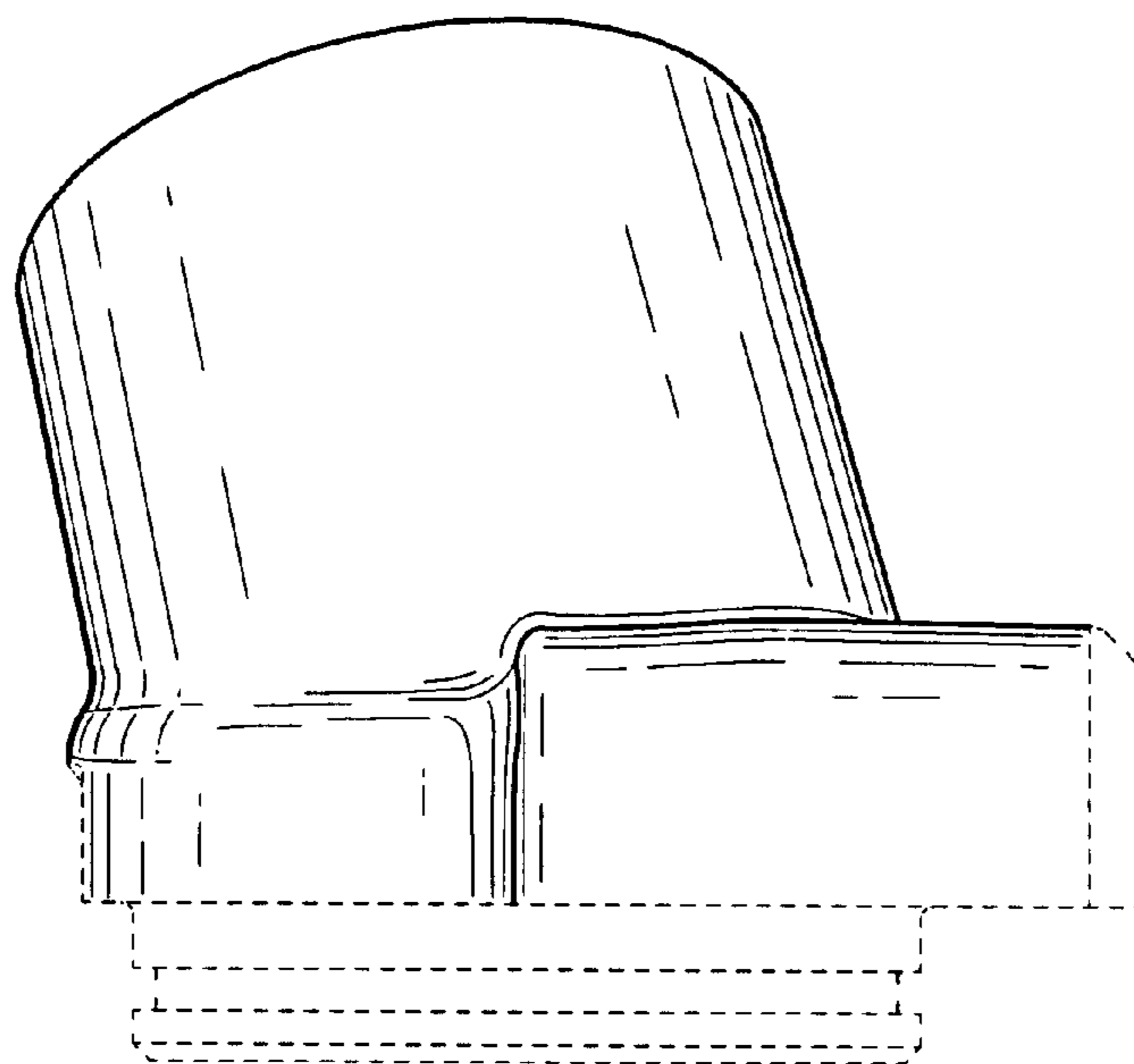


FIG. 6

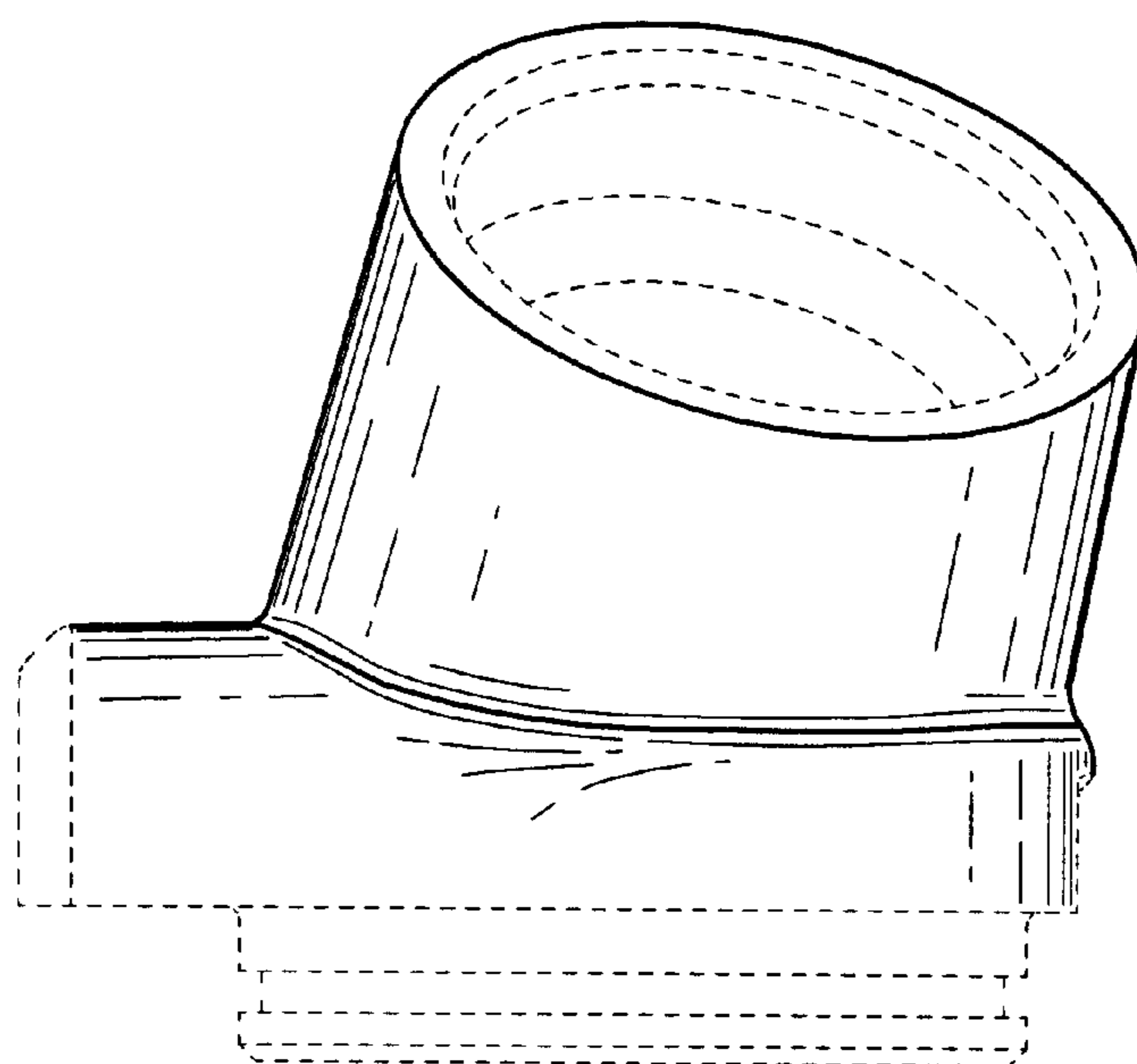


FIG. 7