

US00D542816S

(12) **United States Design Patent**
Yajima et al.

(10) **Patent No.:** **US D542,816 S**

(45) **Date of Patent:** **** May 15, 2007**

(54) **LINEAR ELECTROMAGNETIC ACTUATOR**

(75) Inventors: **Hisashi Yajima**, Ibaraki (JP); **Nobuhiro Fujiwara**, Ibaraki (JP)

(73) Assignee: **SMC Corporation**, Chiyoda-ku, Tokyo (JP)

(**) Term: **14 Years**

(21) Appl. No.: **29/243,636**

(22) Filed: **Nov. 29, 2005**

(30) **Foreign Application Priority Data**

May 31, 2005 (JP) 2005-015892

(51) **LOC (8) Cl.** **15-09**

(52) **U.S. Cl.** **D15/143; D15/5**

(58) **Field of Classification Search** D15/5,
D15/143, 199; 91/275; 92/5 R, 88, 146, 161,
92/165 R; 277/DIG. 7; 310/20, 80; 335/229;
384/43, 49

See application file for complete search history.

(56) **References Cited**

U.S. PATENT DOCUMENTS

D373,363 S * 9/1996 Miyachi et al. D15/5

D440,990 S * 4/2001 Asai D15/143
6,262,648 B1 * 7/2001 Lammers 335/229
2002/0057153 A1 * 5/2002 Matsusaka et al. 335/220
2003/0184422 A1 * 10/2003 Matasusaka et al. 335/220
2006/0114090 A1 * 6/2006 Yajima et al. 335/229

* cited by examiner

Primary Examiner—Antoine D. Davis

Assistant Examiner—Patricia Palasik

(74) *Attorney, Agent, or Firm*—Peter Ganjian

(57) **CLAIM**

The ornamental design for a linear electromagnetic actuator, as shown and described.

DESCRIPTION

FIG. 1 shows a front view of a linear electromagnetic actuator showing my new design, the rear view being a mirror image thereof;

FIG. 2 shows a top view thereof;

FIG. 3 shows a bottom view thereof;

FIG. 4 shows a left side view thereof;

FIG. 5 shows a right side view thereof; and,

FIG. 6 shows a perspective view thereof.

1 Claim, 4 Drawing Sheets

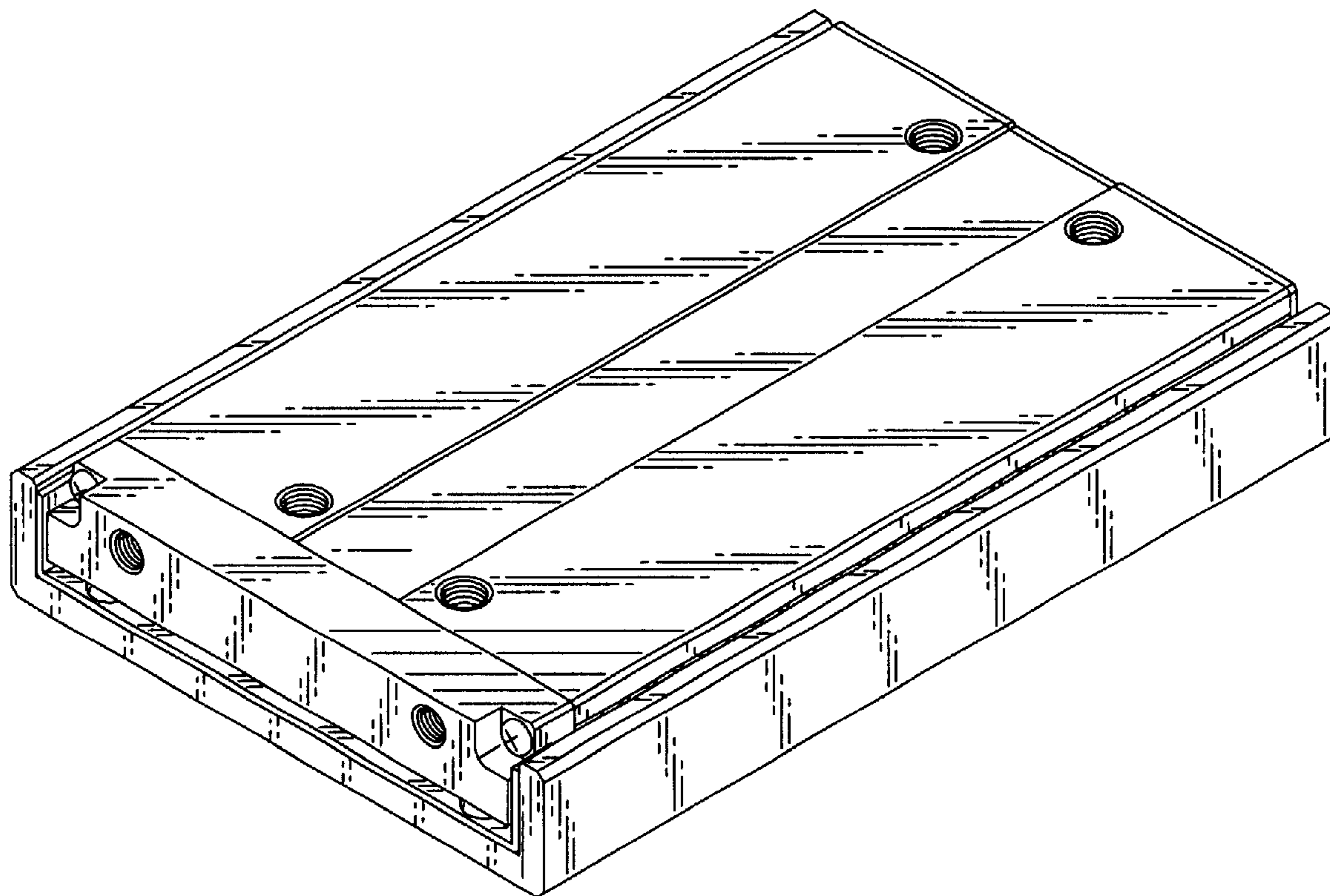


FIG. 1

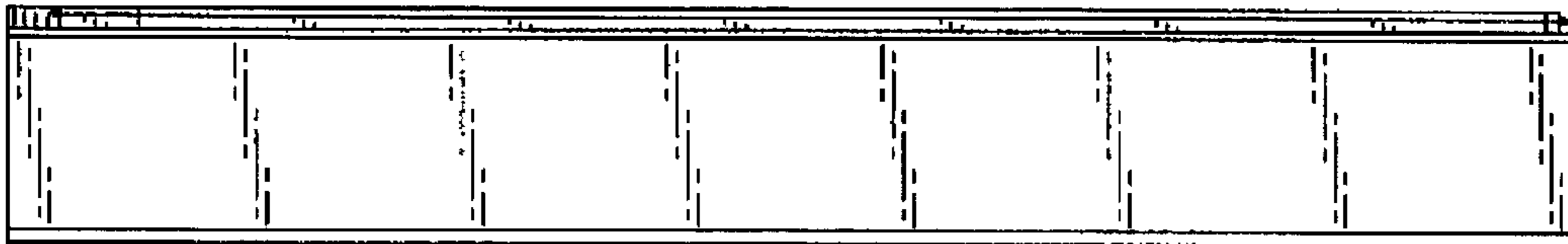


FIG. 2

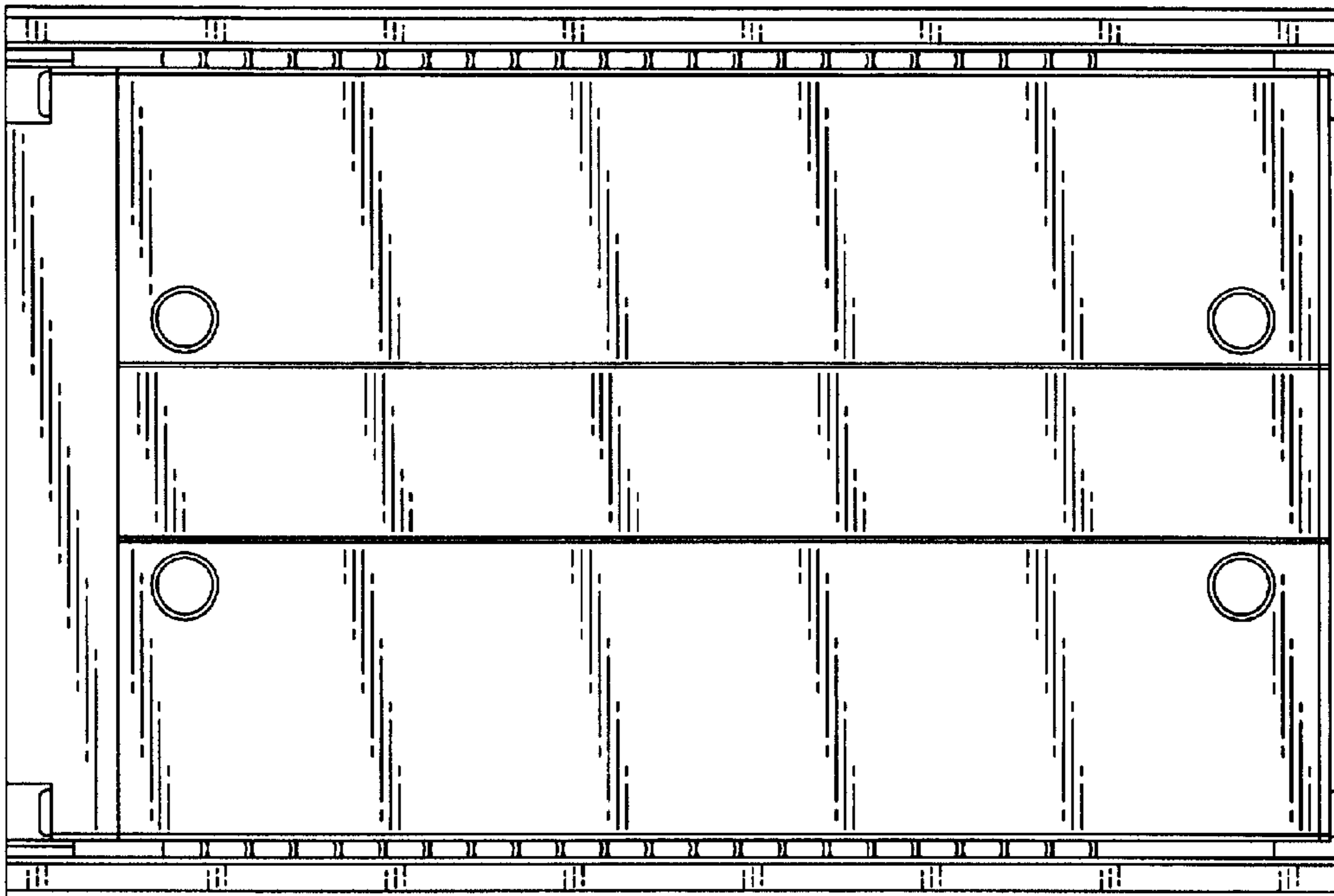


FIG. 3

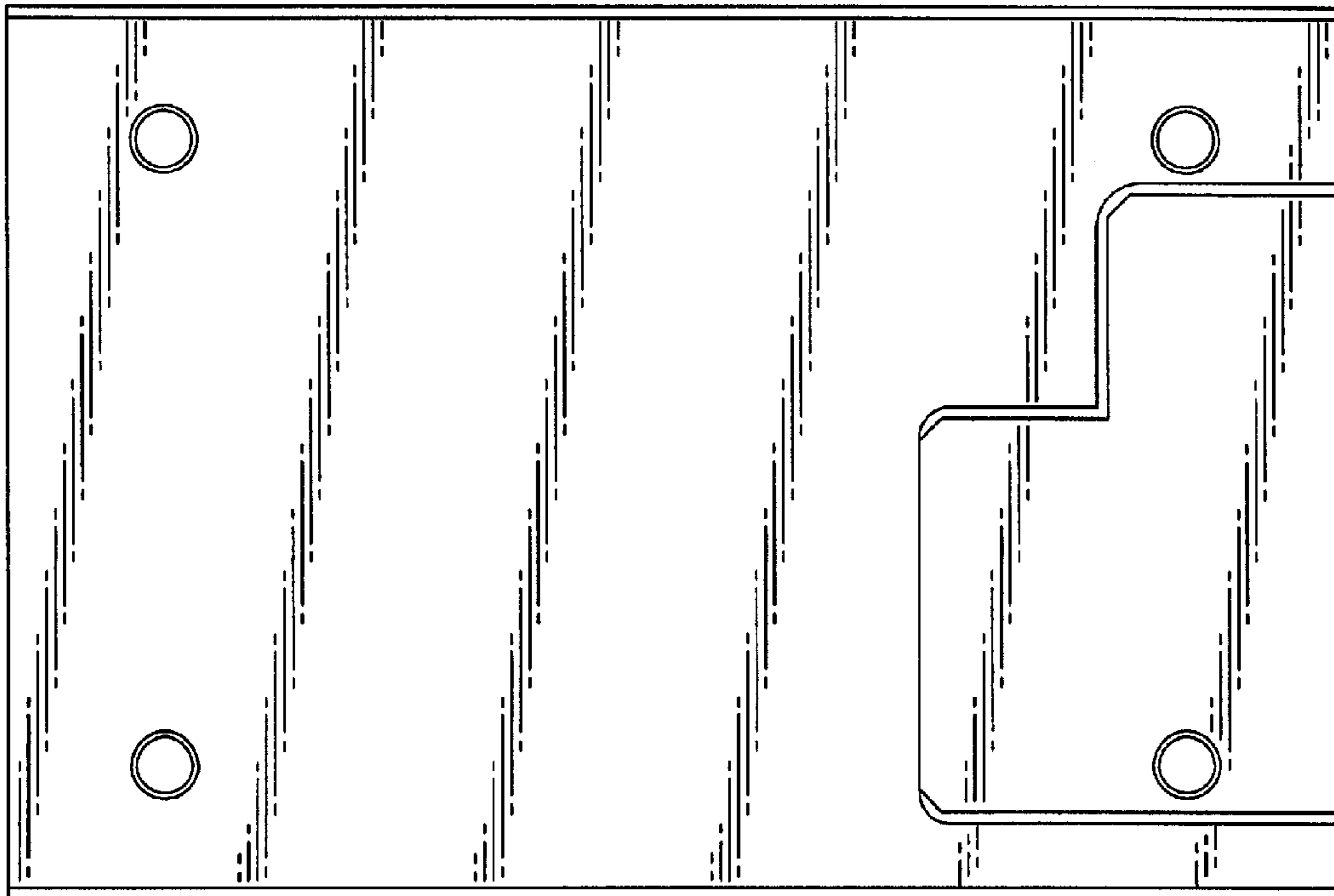


FIG. 4

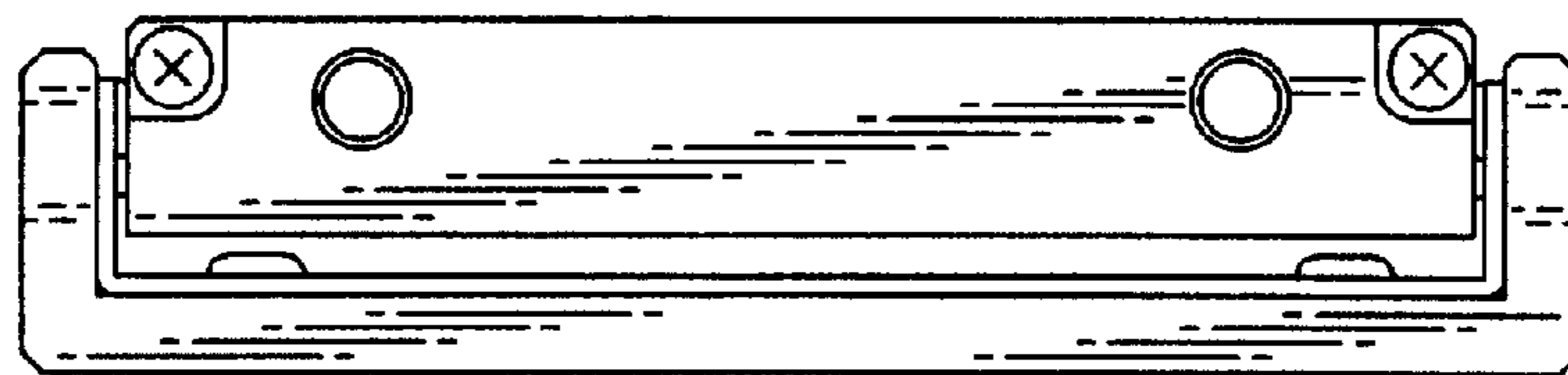


FIG. 5

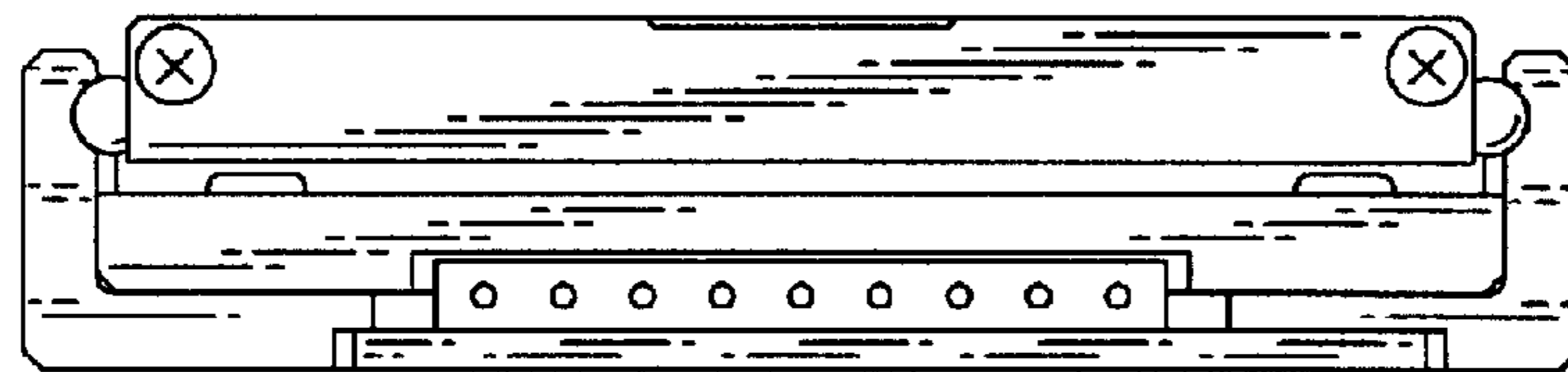


FIG. 6

