



US00D542815S

(12) **United States Design Patent** (10) **Patent No.:** **US D542,815 S**  
**Concari et al.** (45) **Date of Patent:** **\*\* May 15, 2007**

(54) **DRILL CHUCK**

(75) Inventors: **Gabriel E. Concari**, Eldersburg, MD (US); **Jeremy Zietz**, West Grove, PA (US)

(73) Assignee: **Black & Decker, Inc.**, Newark, DE (US)

(\*\*) Term: **14 Years**

(21) Appl. No.: **29/255,701**

(22) Filed: **Mar. 10, 2006**

(51) **LOC (8) Cl.** ..... **15-09**

(52) **U.S. Cl.** ..... **D15/140; D8/70**

(58) **Field of Classification Search** ..... D8/61-70;  
 D15/138-140; 279/61-66, 157, 901, 902;  
 408/56, 240

See application file for complete search history.

D402,871 S 12/1998 Clowers et al.  
 D413,340 S 8/1999 Gaddis  
 D416,461 S \* 11/1999 Long ..... D8/70  
 D416,641 S 11/1999 Long  
 D417,228 S 11/1999 Miles  
 D421,615 S 3/2000 Argo et al.  
 D423,527 S 4/2000 Sakamaki  
 D426,442 S 6/2000 Long  
 D427,216 S 6/2000 Miles et al.  
 D433,909 S 11/2000 Long  
 D434,629 S 12/2000 Long  
 D436,511 S 1/2001 Hayakawa et al.  
 D461,696 S 8/2002 Chunn et al.  
 D461,697 S 8/2002 Chunn et al.  
 D462,249 S 9/2002 Chunn et al.  
 D469,325 S 1/2003 Carroll  
 D472,443 S 4/2003 Chunn et al.  
 D473,120 S 4/2003 Lind et al.  
 D475,596 S 6/2003 Ozawa et al.  
 D485,738 S 1/2004 Pretzell  
 D501,384 S 2/2005 Wright et al.  
 D514,416 S \* 2/2006 Watson ..... D8/70  
 D514,417 S 2/2006 Watson et al.

(56) **References Cited**  
 U.S. PATENT DOCUMENTS

1,979,652 A 11/1934 Taylor  
 5,145,193 A 9/1992 Rohm  
 D347,372 S 5/1994 Ghode  
 D356,932 S 4/1995 Owens et al.  
 D359,217 S 6/1995 Owens et al.  
 D359,432 S 6/1995 Owens  
 5,464,230 A \* 11/1995 Rohm ..... 279/63  
 5,476,273 A 12/1995 Shadeck et al.  
 D366,052 S 1/1996 Barton et al.  
 5,531,461 A 7/1996 Huff et al.  
 5,553,873 A 9/1996 Salpaka et al.  
 D386,193 S 11/1997 Steadings  
 D386,662 S 11/1997 Tozawa et al.  
 5,709,392 A 1/1998 Barton et al.  
 D392,654 S 3/1998 Stratford  
 D396,177 S 7/1998 Schultz  
 D400,418 S 11/1998 Lui  
 D402,675 S 12/1998 Long

\* cited by examiner

*Primary Examiner*—Antoine D. Davis  
*Assistant Examiner*—Patricia Palasik  
 (74) *Attorney, Agent, or Firm*—Michael P. Leary; Charles E. Yocum; Adan Ayala

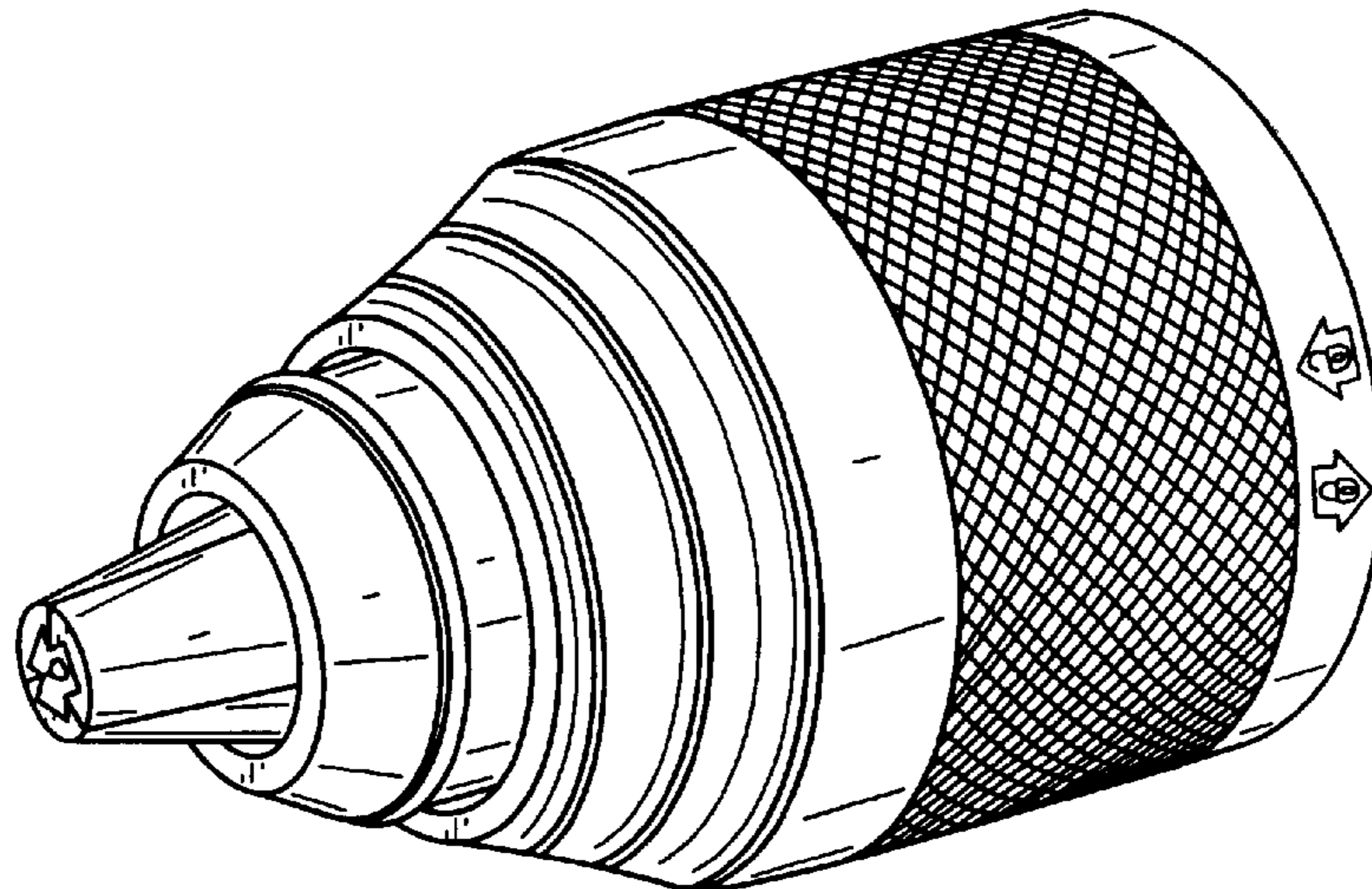
(57) **CLAIM**

The ornamental design for a drill chuck, as shown and described.

**DESCRIPTION**

FIG. 1 is a top perspective view of a drill chuck.  
 FIG. 2 is a top view thereof.  
 FIG. 3 is a bottom view thereof.  
 FIG. 4 is a side elevational view thereof; and,  
 FIG. 5 is the other side elevational view thereof.

**1 Claim, 5 Drawing Sheets**



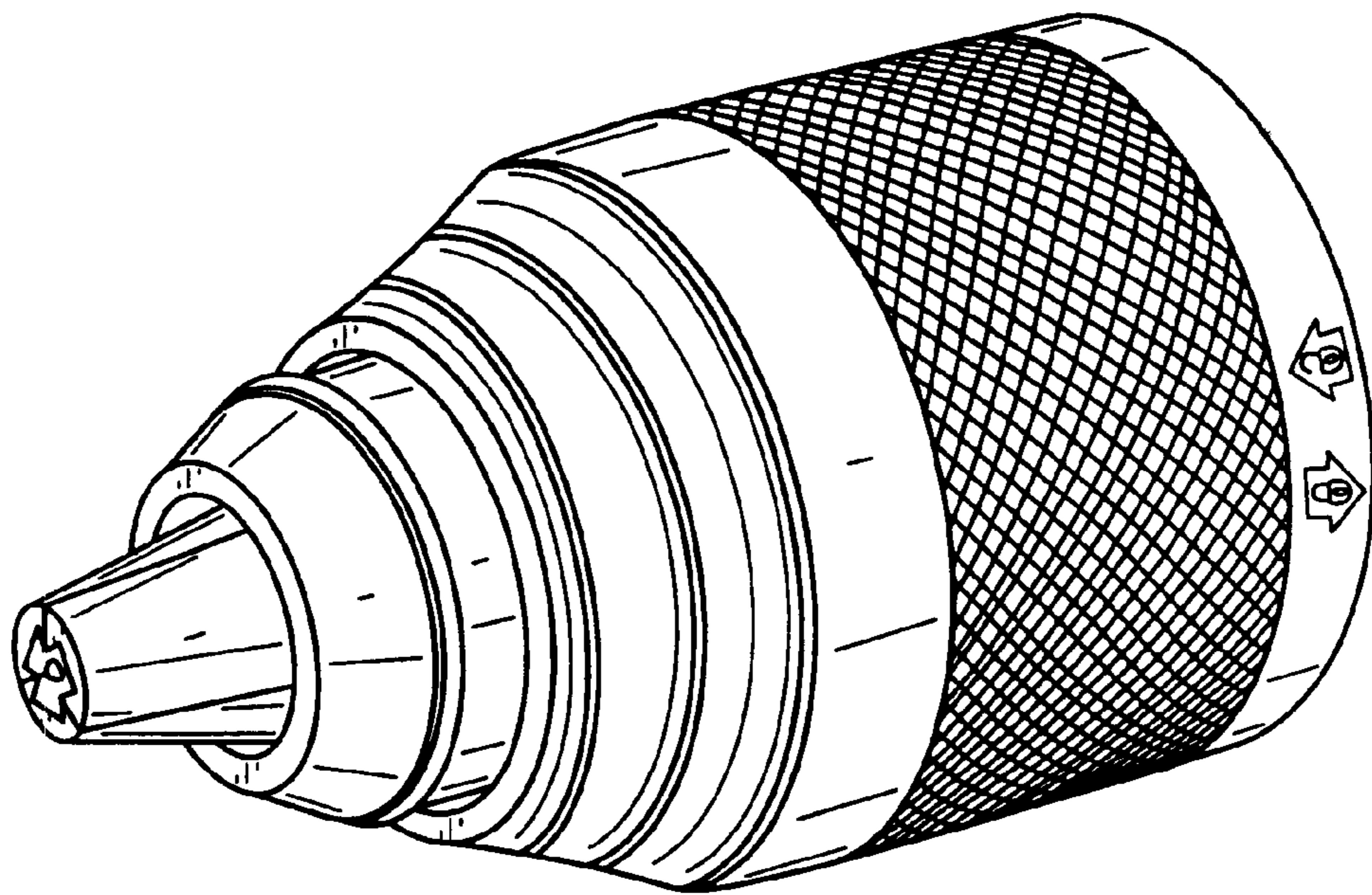


FIG. 1

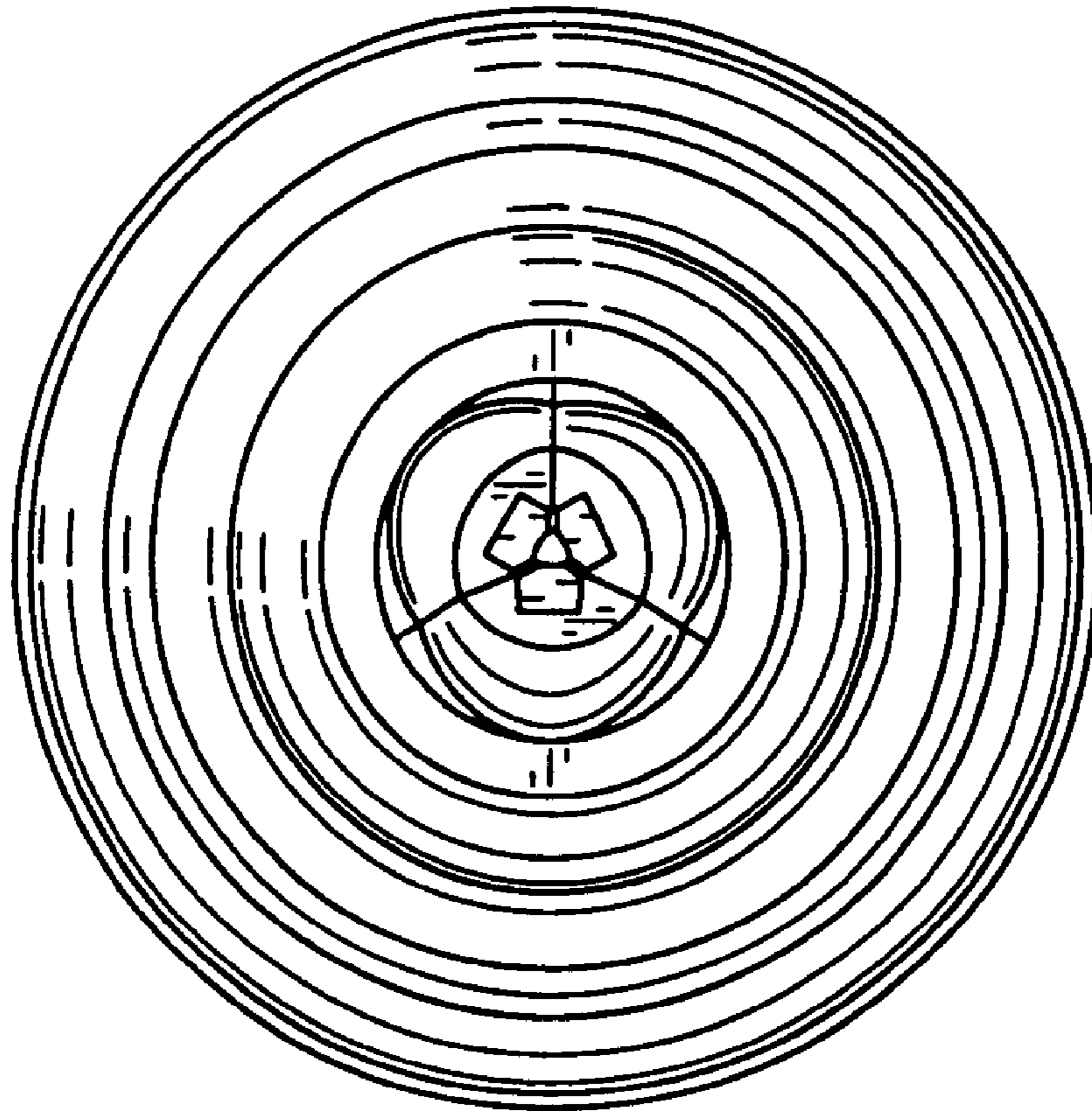


FIG. 2

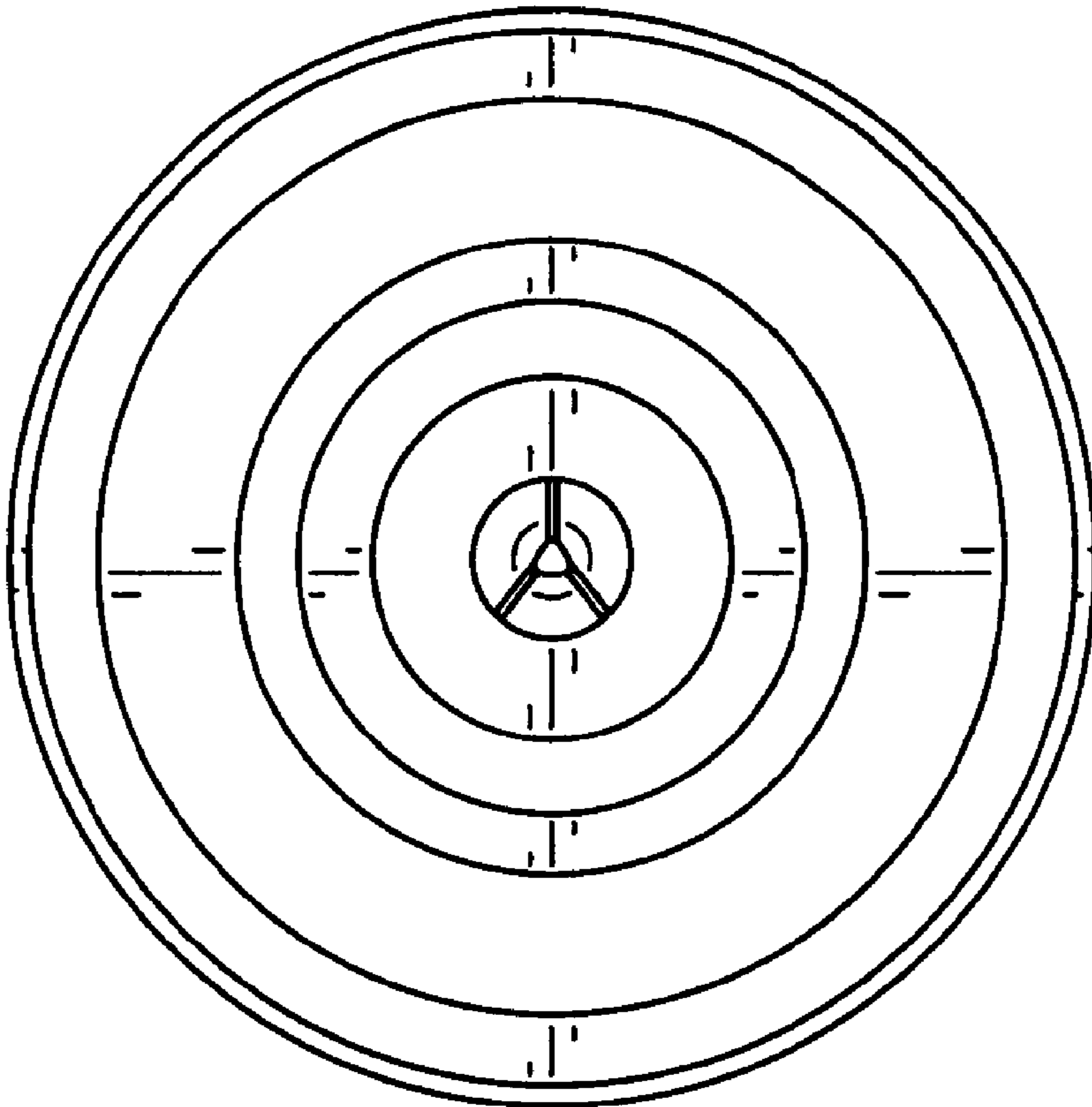


FIG. 3



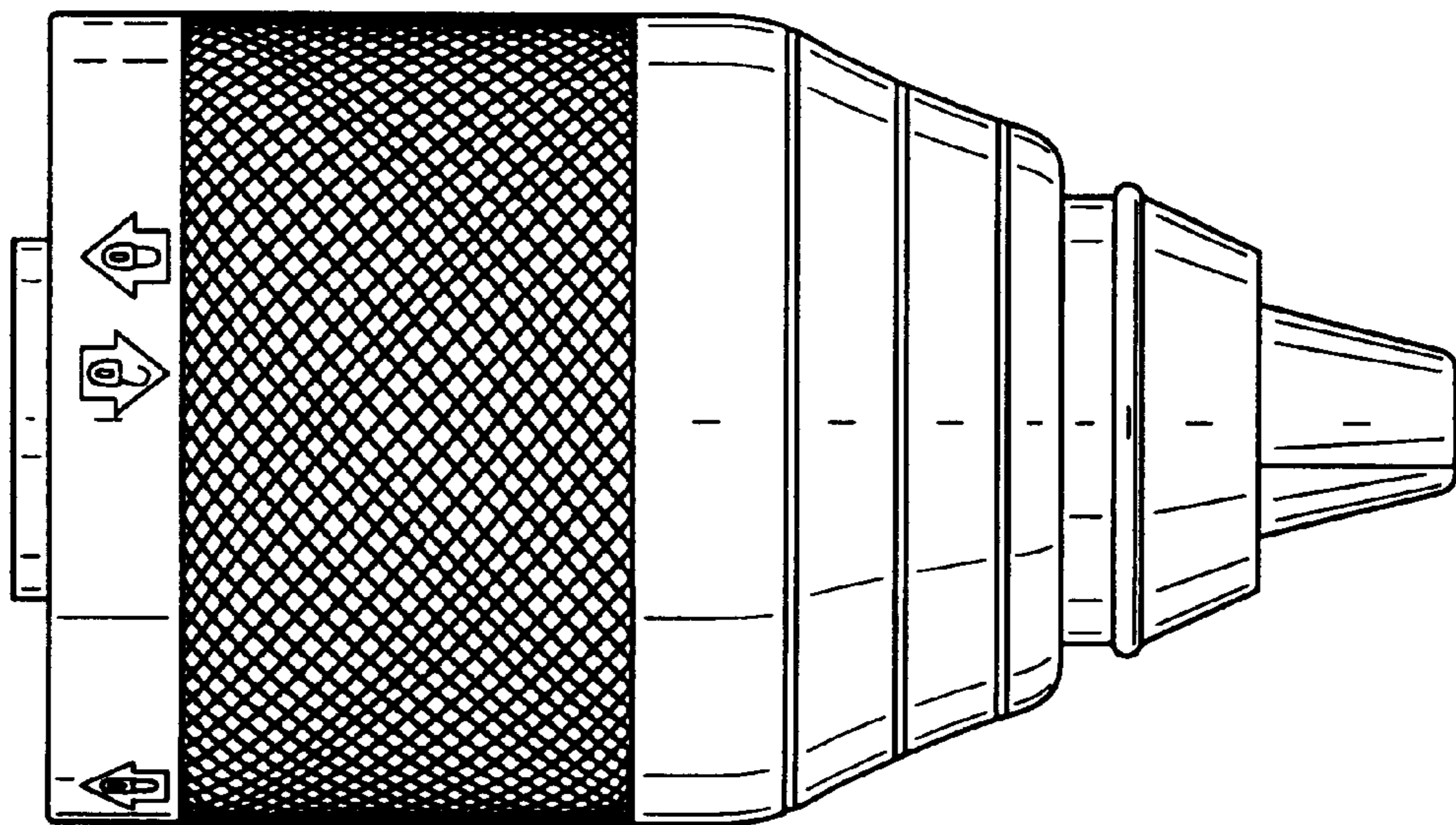


FIG. 4

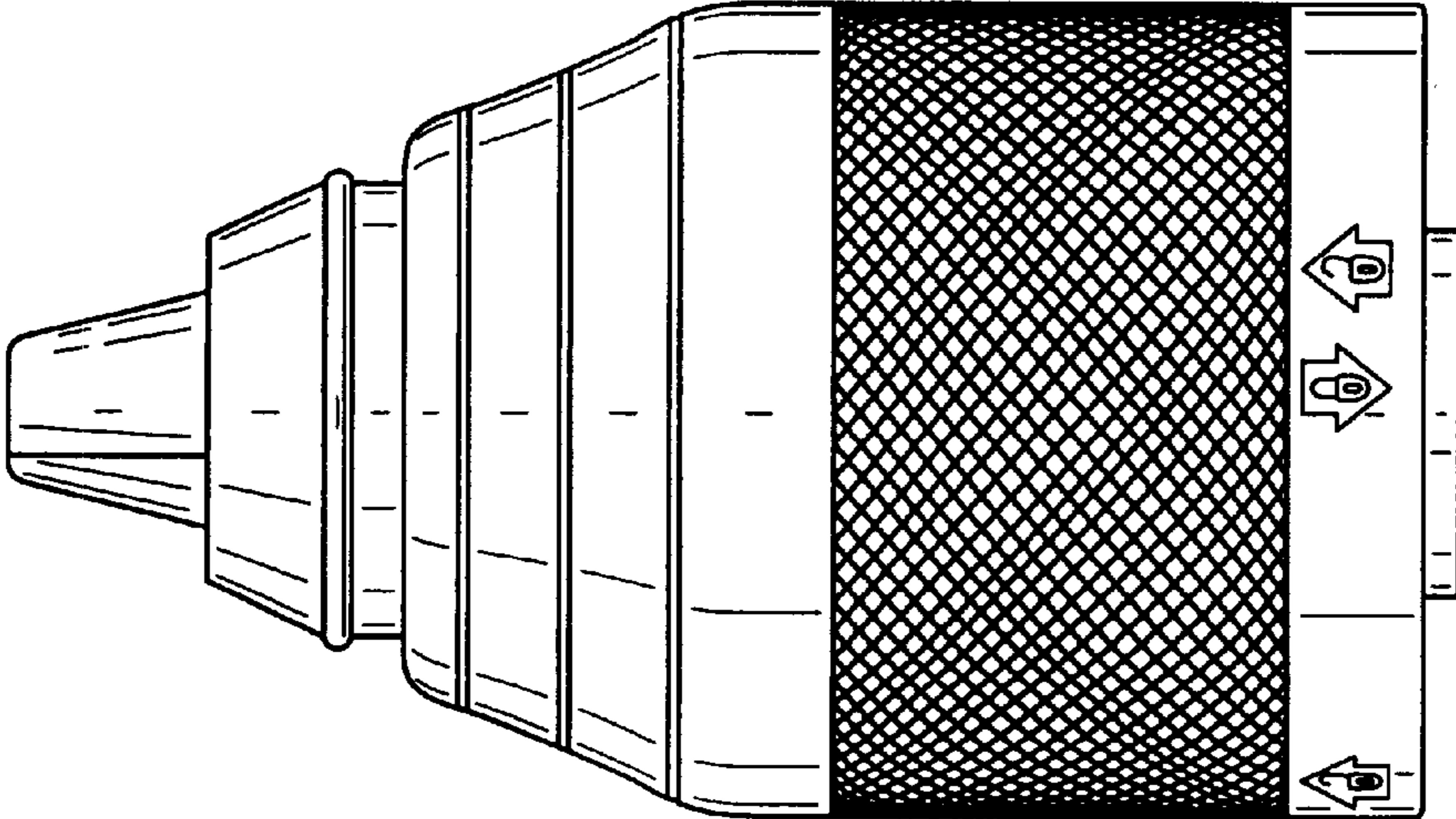


FIG. 5